



US00D951229S

(12) **United States Design Patent** (10) **Patent No.:** **US D951,229 S**
Yashiro (45) **Date of Patent:** **** May 10, 2022**

(54) **AUDIO PLAYER**

- (71) Applicant: **Sony Corporation**, Tokyo (JP)
- (72) Inventor: **Shogo Yashiro**, Kanagawa (JP)
- (73) Assignee: **SONY CORPORATION**, Tokyo (JP)
- (**) Term: **15 Years**
- (21) Appl. No.: **29/671,768**
- (22) Filed: **Nov. 29, 2018**

Related U.S. Application Data

- (63) Continuation-in-part of application No. 29/578,602, filed on Sep. 22, 2016, now abandoned, which is a continuation-in-part of application No. 29/576,322, filed on Sep. 1, 2016, now abandoned.
- (51) **LOC (13) Cl.** **14-01**
- (52) **U.S. Cl.**
USPC **D14/216**
- (58) **Field of Classification Search**
USPC D14/167, 168, 170–172, 188, 194–197, D14/203.1–203.8, 204, 209.1, 210–216, D14/219, 221, 222, 224, 239, 496
CPC B60R 11/0217; G06F 1/1688; G10K 9/22; G10K 11/004; H03F 1/327; H04M 1/03; H04M 1/035; H04N 5/642; H04N 21/4852; H04R 1/02; H04R 1/06; H04R 1/021; H04R 1/025; H04R 1/026; H04R 1/028; H04R 1/105; H04R 1/323; H04R 1/403; H04R 1/2803; H04R 1/2834; H04R 5/02; H04R 7/20; H04R 9/06; H04R 9/025; H04R 2201/021; H04R 2400/00; H04R 2400/07; H04R 2499/11; H04R 2499/13; H04R 2499/15; H04S 3/00; H04S 7/30

See application file for complete search history.

(56) **References Cited**

U.S. PATENT DOCUMENTS

D97,631 S	11/1935	Berg
D249,684 S	9/1978	Rams
D424,564 S	5/2000	Quaglio et al.
D471,175 S	3/2003	Lo
D480,708 S	10/2003	Bothe
D501,197 S	1/2005	Tanoni
D501,461 S	2/2005	Tanoni
D518,817 S	4/2006	Ching
D521,981 S	5/2006	Sogabe
D542,775 S	5/2007	Yuyama
D583,802 S	12/2008	Pincek et al.

(Continued)

FOREIGN PATENT DOCUMENTS

CN	303531742 S	12/2015
CN	304081013 S	3/2017

(Continued)

Primary Examiner — Keli L Hill

(74) *Attorney, Agent, or Firm* — Michael Best and Friedrich LLP

(57) **CLAIM**

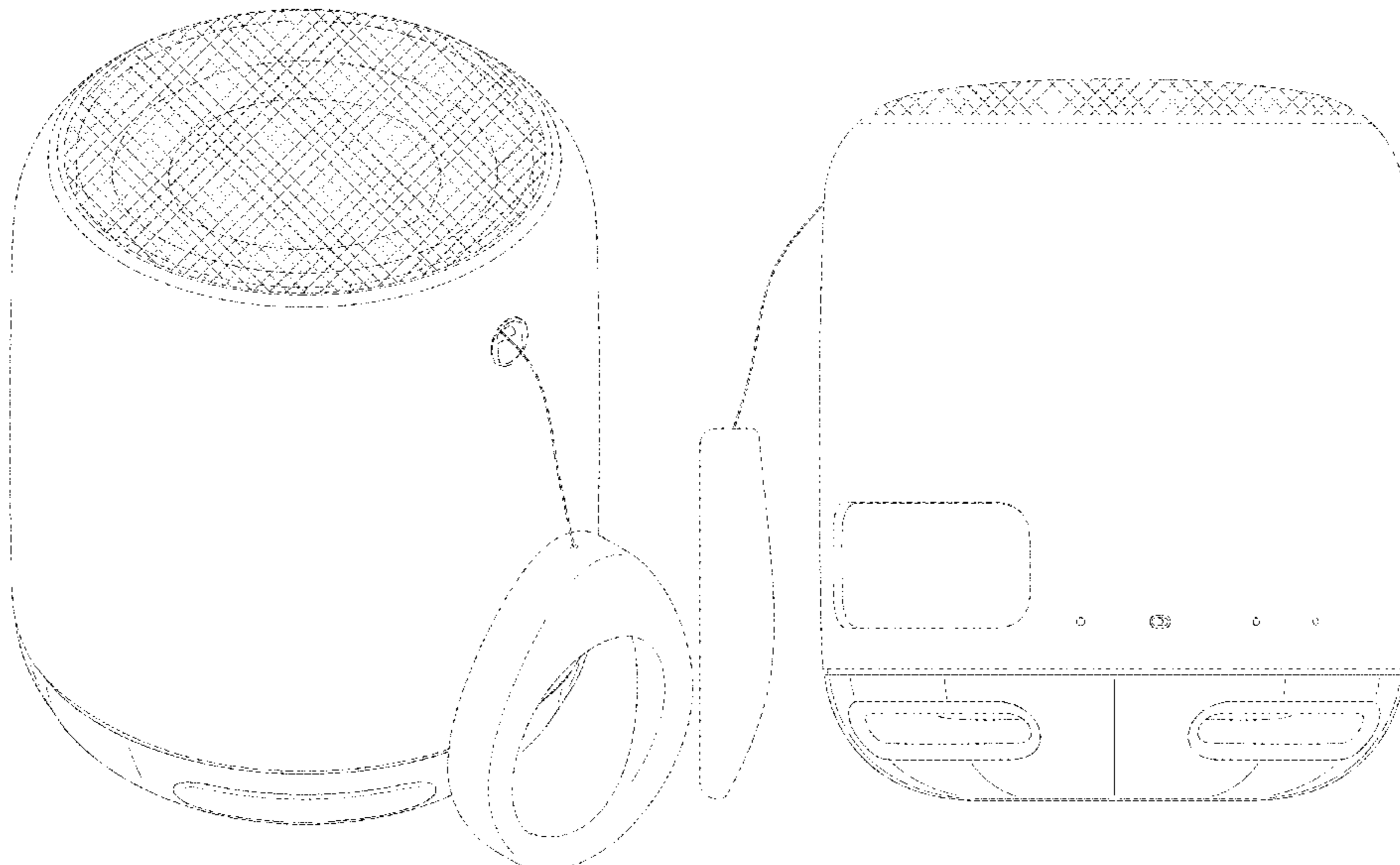
The ornamental design for an audio player, as shown and described.

DESCRIPTION

FIG. 1 is a front, bottom, right perspective view of an audio player showing my new design; FIG. 2 is a front elevational view thereof; FIG. 3 is a rear elevational view thereof; FIG. 4 is a left side elevational view thereof; FIG. 5 is a right side elevational view thereof; and, FIG. 6 is a bottom plan view thereof.

The dot-dash broken lines represent the bounds of the claimed design, while all other broken lines are included for the purpose of illustrating portions of the audio player; the broken lines form no part of the claimed design.

1 Claim, 6 Drawing Sheets



(56)

References Cited

U.S. PATENT DOCUMENTS

D592,645 S 5/2009 Motoishi
 D599,324 S 9/2009 Shen
 D609,216 S 2/2010 Davies et al.
 D628,979 S 12/2010 Yagi
 D655,691 S 3/2012 Stewart, Jr. et al.
 D682,250 S 5/2013 Mattioli
 D683,718 S 6/2013 Brunner et al.
 D683,719 S 6/2013 Onoue
 D689,846 S * 9/2013 Nylen D14/216
 D691,983 S 10/2013 Vaughan et al.
 D703,184 S 4/2014 Yokoyama
 D714,259 S 9/2014 Galler
 D718,740 S 12/2014 Savage et al.
 D742,360 S 11/2015 Narita
 D756,331 S 5/2016 Kamlet et al.
 D800,695 S 10/2017 Sugiura
 D800,696 S 10/2017 Tubis et al.
 D807,326 S 1/2018 Justis
 D863,356 S * 10/2019 Akana D14/496

D865,003 S * 10/2019 McWilliam D14/496
 D883,966 S * 5/2020 Huang D14/240
 D885,640 S * 5/2020 Civelekoglu D26/104
 D916,051 S * 4/2021 Wang D14/216
 D933,046 S * 10/2021 Huang D14/216
 2017/0188123 A1 6/2017 Wright

FOREIGN PATENT DOCUMENTS

CN 304400220 S 12/2017
 CN 304400221 S 12/2017
 CN 304467032 S 1/2018
 EM 002423350-0001 S 12/2014
 JP D1158424 S 11/2002
 JP D1335903 S 7/2008
 JP D1492488 S 3/2014
 JP D1499147 S 6/2014
 JP D1516229 S 1/2015
 KR 30-0594290.0001 S 3/2011
 KR 30-0594290.0002 S 3/2011

* cited by examiner

FIG. 1

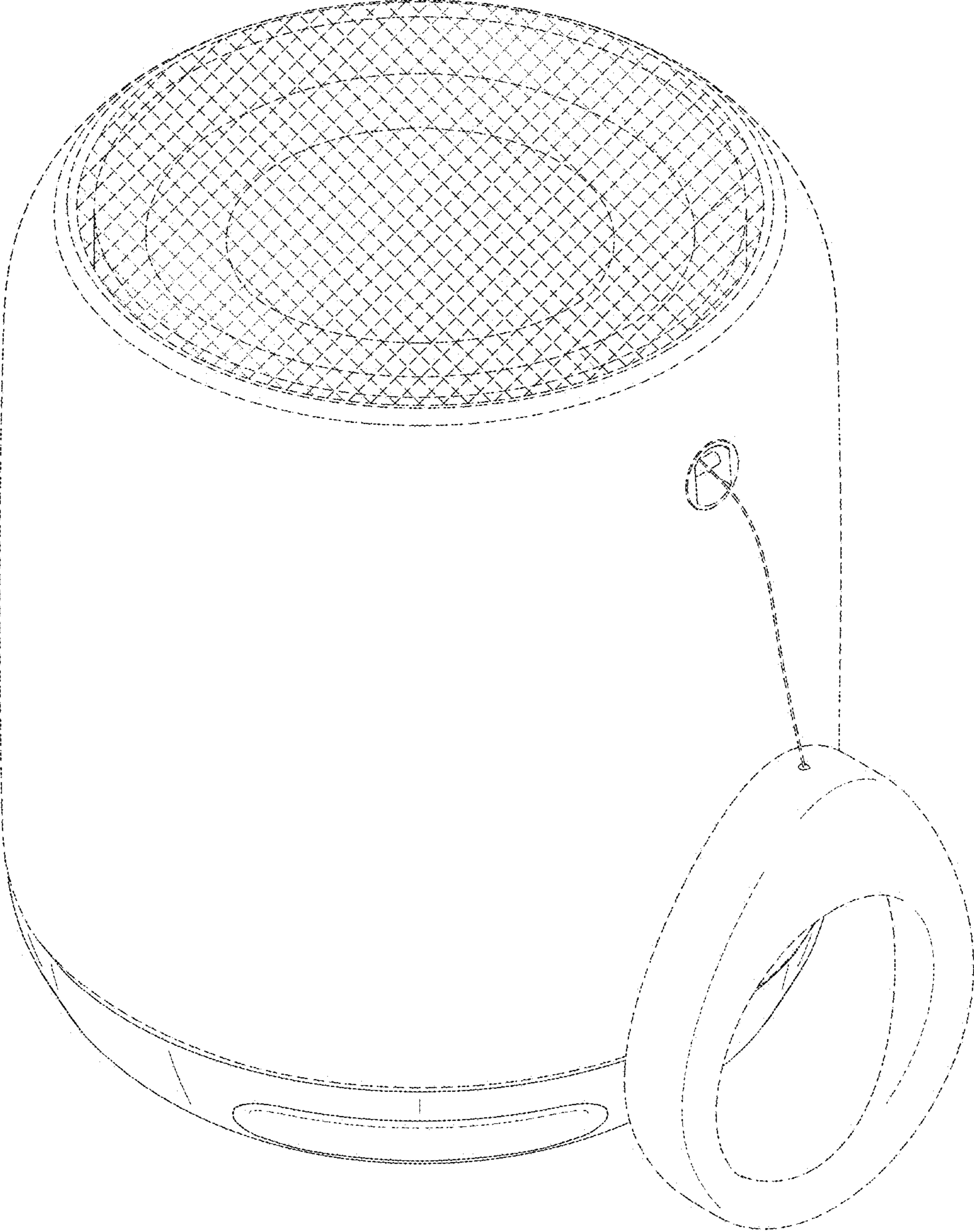


FIG.2

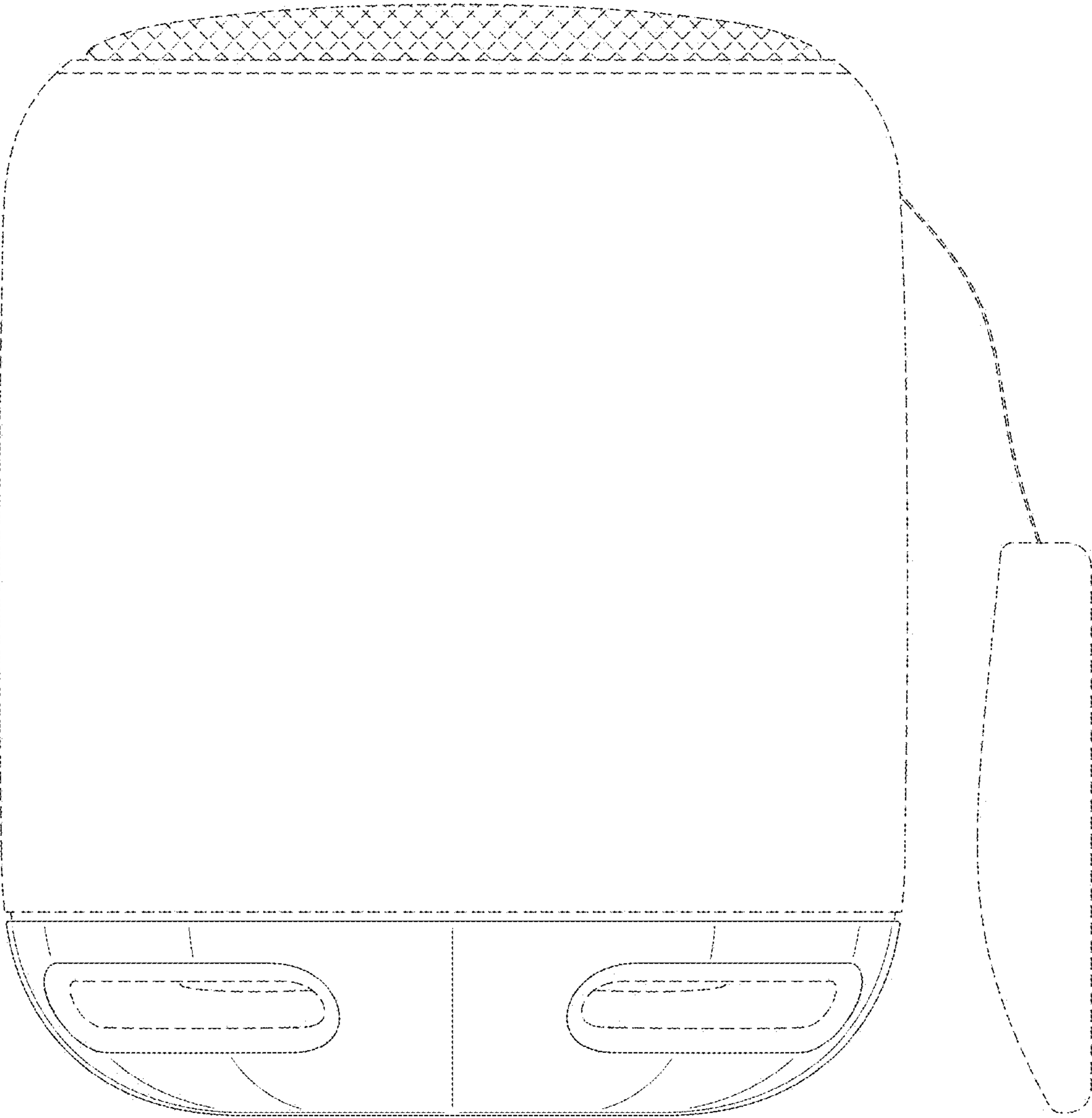


FIG.3

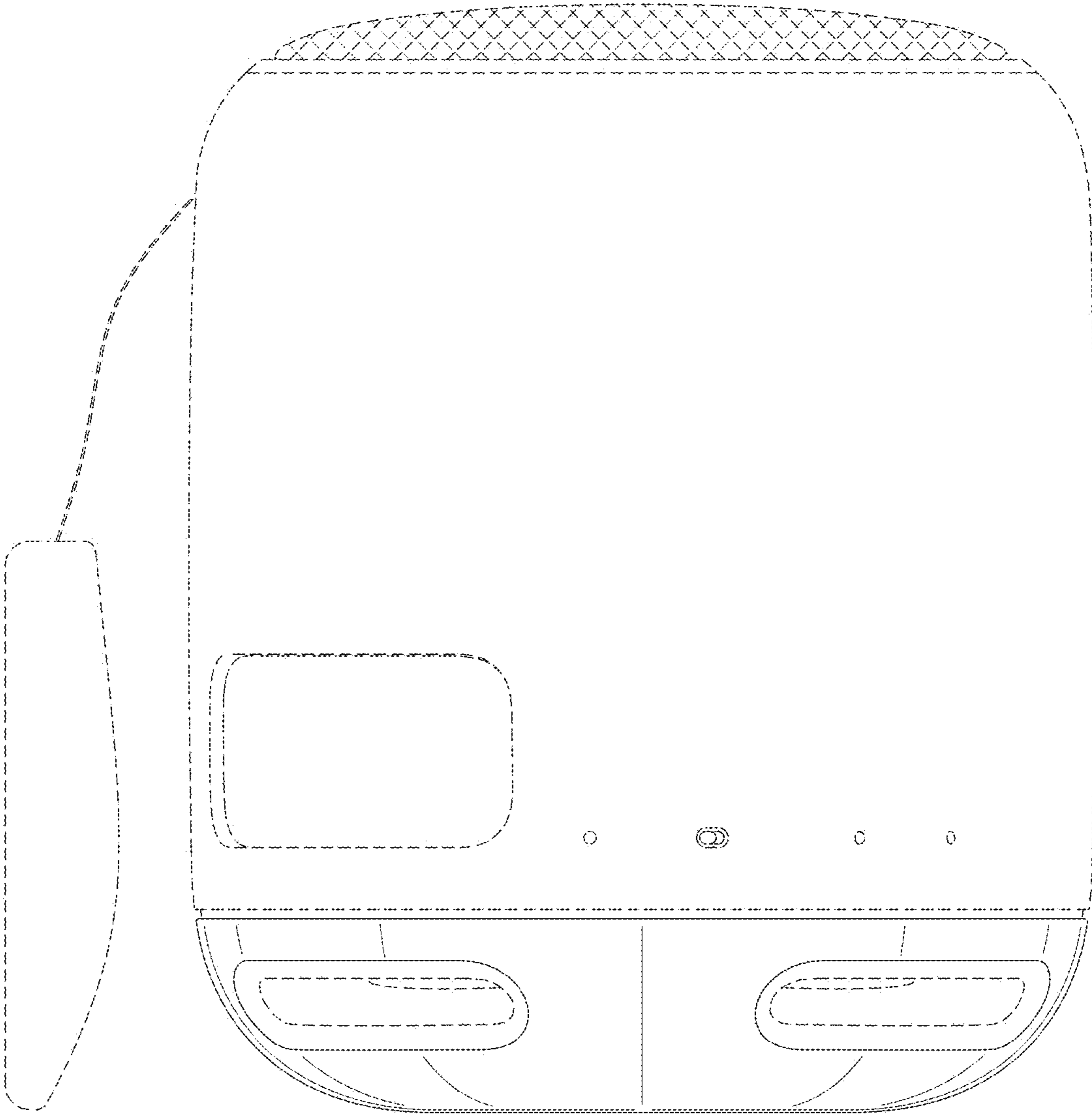


FIG.4

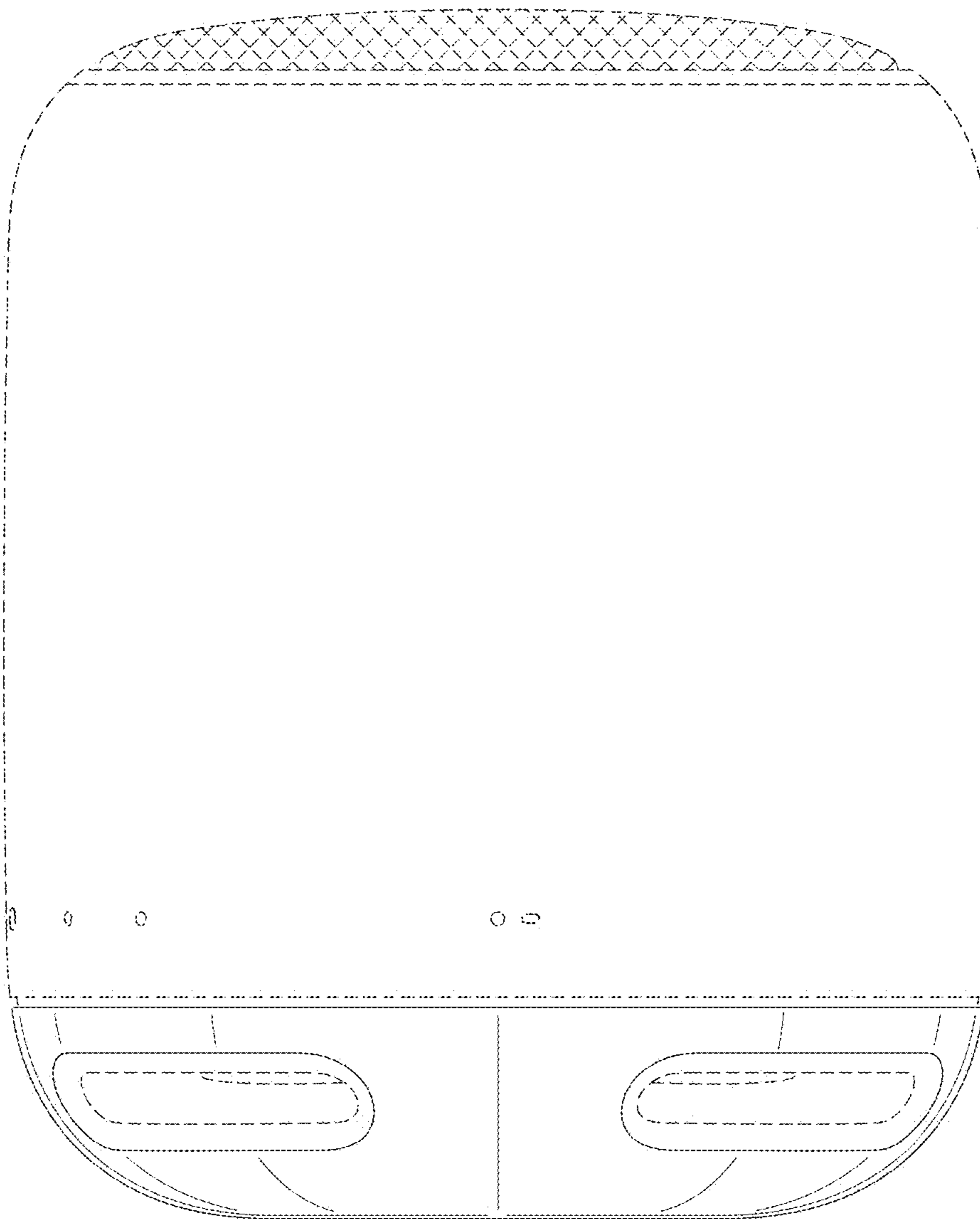


FIG.5

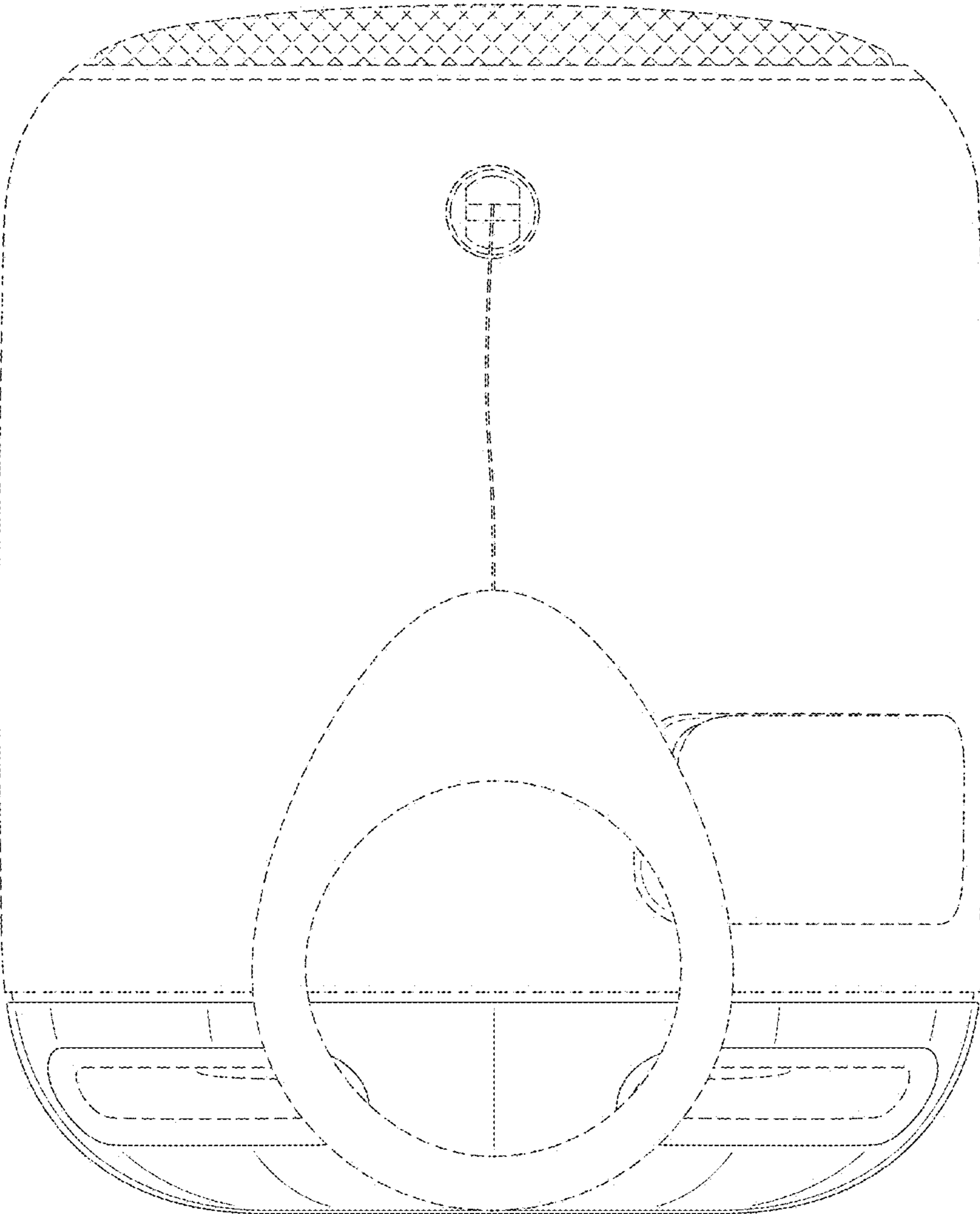


FIG.6

