



US00D951228S

(12) **United States Design Patent**
Einakian

(10) **Patent No.:** **US D951,228 S**

(45) **Date of Patent:** **** May 10, 2022**

(54) **LOUDSPEAKER**

(71) Applicant: **Harman International Industries, Incorporated**, Northridge, CA (US)

(72) Inventor: **Amin Einakian**, Detroit, MI (US)

(73) Assignee: **Harman International Industries, Incorporated**, Northridge, CA (US)

(**) Term: **15 Years**

(21) Appl. No.: **29/704,491**

(22) Filed: **Sep. 5, 2019**

(51) **LOC (13) Cl.** **14-01**

(52) **U.S. Cl.**
USPC **D14/215**

(58) **Field of Classification Search**
USPC D14/167, 168, 170–172, 188, 194–196,
D14/204, 209.1, 210–216, 219, 221, 222,
D14/224, 239, 496
CPC B60R 11/0217; G06F 1/1688; G10K 9/22;
G10K 11/004; H03F 1/327; H04M 1/03;
H04M 1/035; H04N 5/642; H04N
21/4852; H04R 1/02; H04R 1/06; H04R
1/021; H04R 1/025; H04R 1/026; H04R
1/028; H04R 1/105; H04R 1/323; H04R
1/403; H04R 1/2803; H04R 1/2834;
H04R 5/02; H04R 7/20; H04R 9/06;
H04R 9/025; H04R 2201/021; H04R
2400/00; H04R 2400/07; H04R 2499/11;
H04R 2499/13; H04R 2499/15; H04S
3/00; H04S 7/30

See application file for complete search history.

(56) **References Cited**

U.S. PATENT DOCUMENTS

D342,522 S * 12/1993 Kurachi D14/213
5,546,468 A * 8/1996 Beard B60R 11/0217
181/145

D503,933 S 4/2005 Lum
D692,412 S * 10/2013 Silvera H04R 1/025
D14/215
9,596,530 B2 * 3/2017 Clark H04R 1/025
D806,056 S 12/2017 Fay et al.
D842,129 S * 3/2019 Yang B60R 11/0217
D10/15
D852,781 S * 7/2019 Hotson D14/215

OTHER PUBLICATIONS

JBL Series II Enclosures specification sheet, HARMAN International Industries, Incorporated, 2015.
JBL BassPro SL specification sheet, HARMAN International Industries, Incorporated, 2015.
JBL Series II Enclosure S2-1224SS specification sheet, HARMAN International Industries, Incorporated, 2015.
JBL BassPro Micro specification sheet, HARMAN International Industries, Incorporated, 2016.

(Continued)

Primary Examiner — Keli L Hill
(74) *Attorney, Agent, or Firm* — Plumsea Law Group, LLC

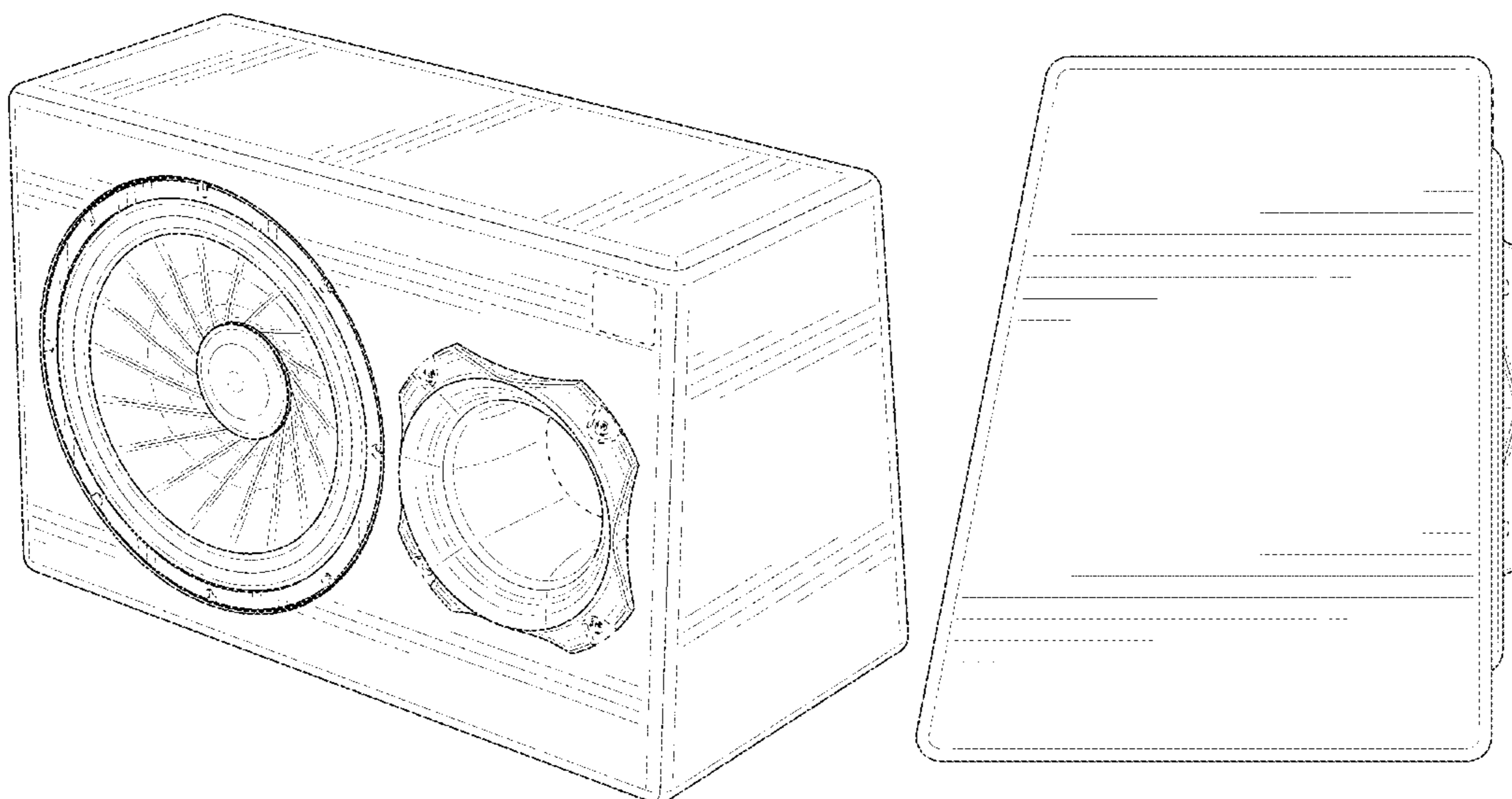
(57) **CLAIM**

The ornamental design for a loudspeaker, as shown and described.

DESCRIPTION

FIG. 1 is a front perspective view of a loudspeaker showing the new design;
FIG. 2 is a front elevational view thereof;
FIG. 3 is a rear elevational view thereof;
FIG. 4 is a side elevational view thereof;
FIG. 5 is an opposite side elevational view thereof;
FIG. 6 is a top view thereof; and,
FIG. 7 is a bottom view thereof.
The broken lines illustrate portions of the loudspeaker that form no part of the claimed design.

1 Claim, 7 Drawing Sheets



(56)

References Cited

OTHER PUBLICATIONS

JBL S2-1224SS 12" Slipstream Ported Enclosure, dated Apr. 28, 2016. Retrieved Dec. 4, 2019 from internet: <https://web.archive.org/web/20160428063413/http://www.jbl.com/easter-sale/S2-1224SS_.html>.

JBL Stage 1220B Subwoofer Enclosure specification sheet, HARMAN International Industries, Incorporated, 2017.

JBL Stage 1200B SC00515 specification sheet, HARMAN International Industries, Incorporated, 2017.

JBL Stage 800BA specification sheet, HARMAN International Industries, Incorporated, 2018.

* cited by examiner

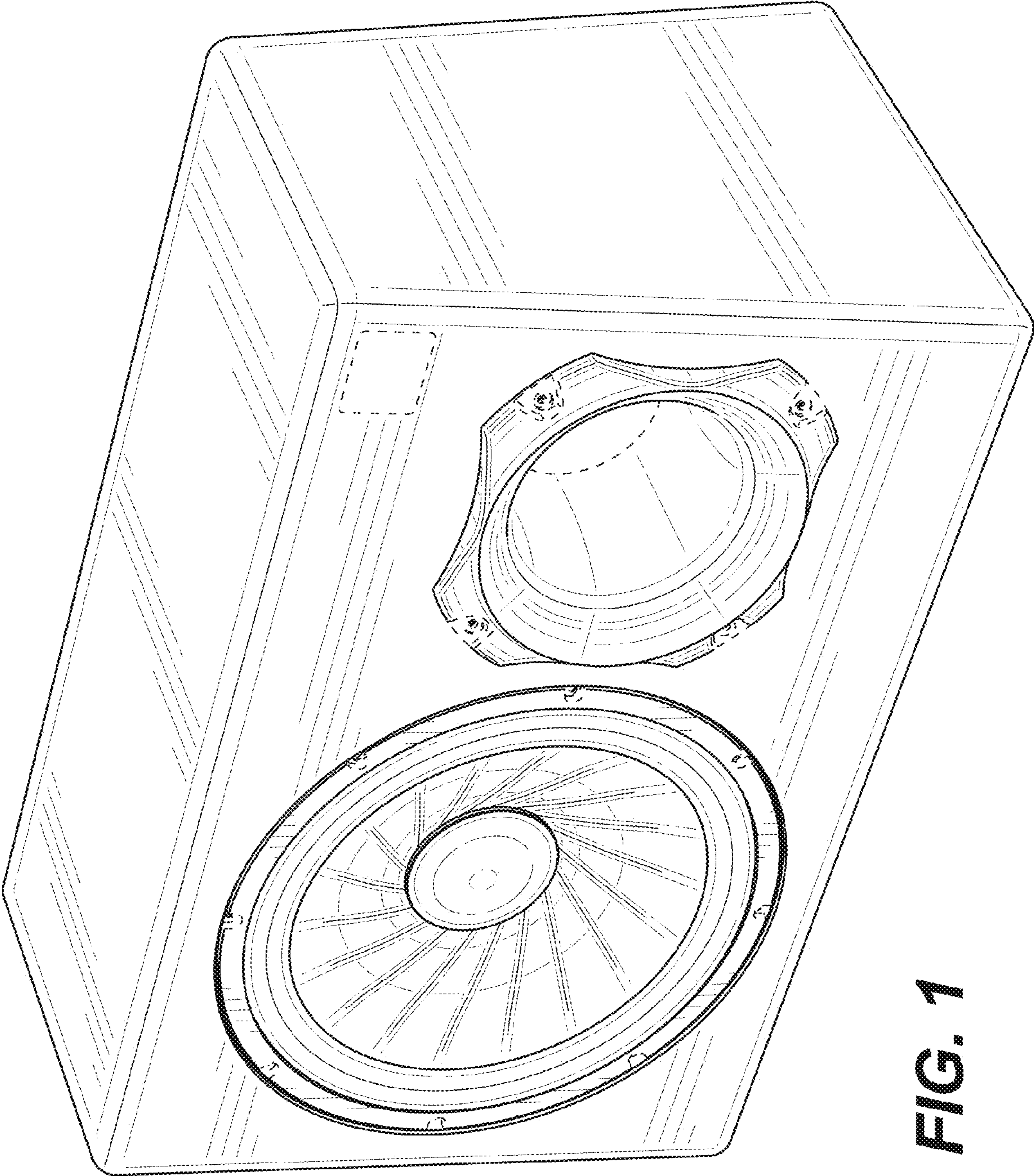


FIG. 1

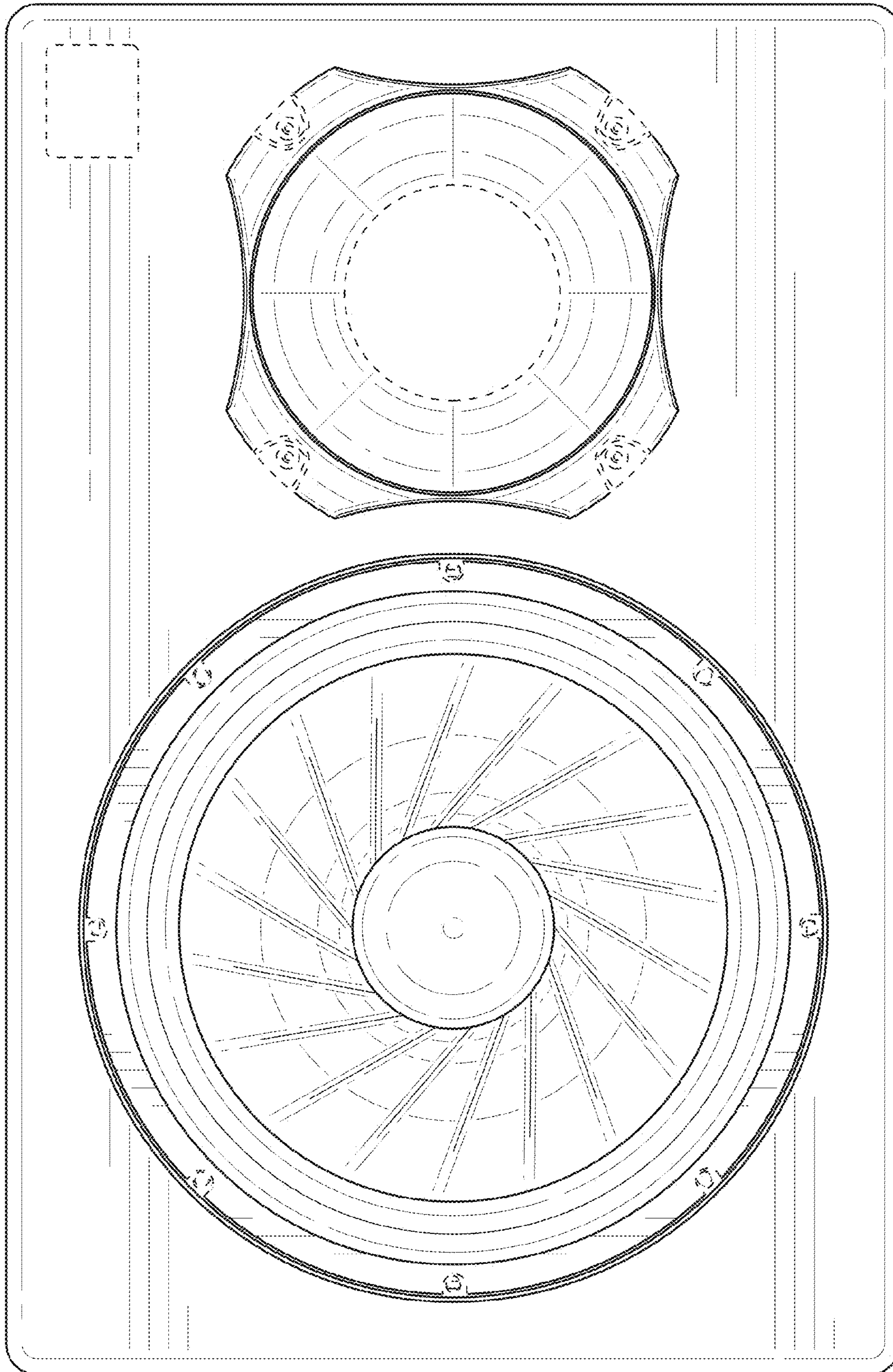


FIG. 2

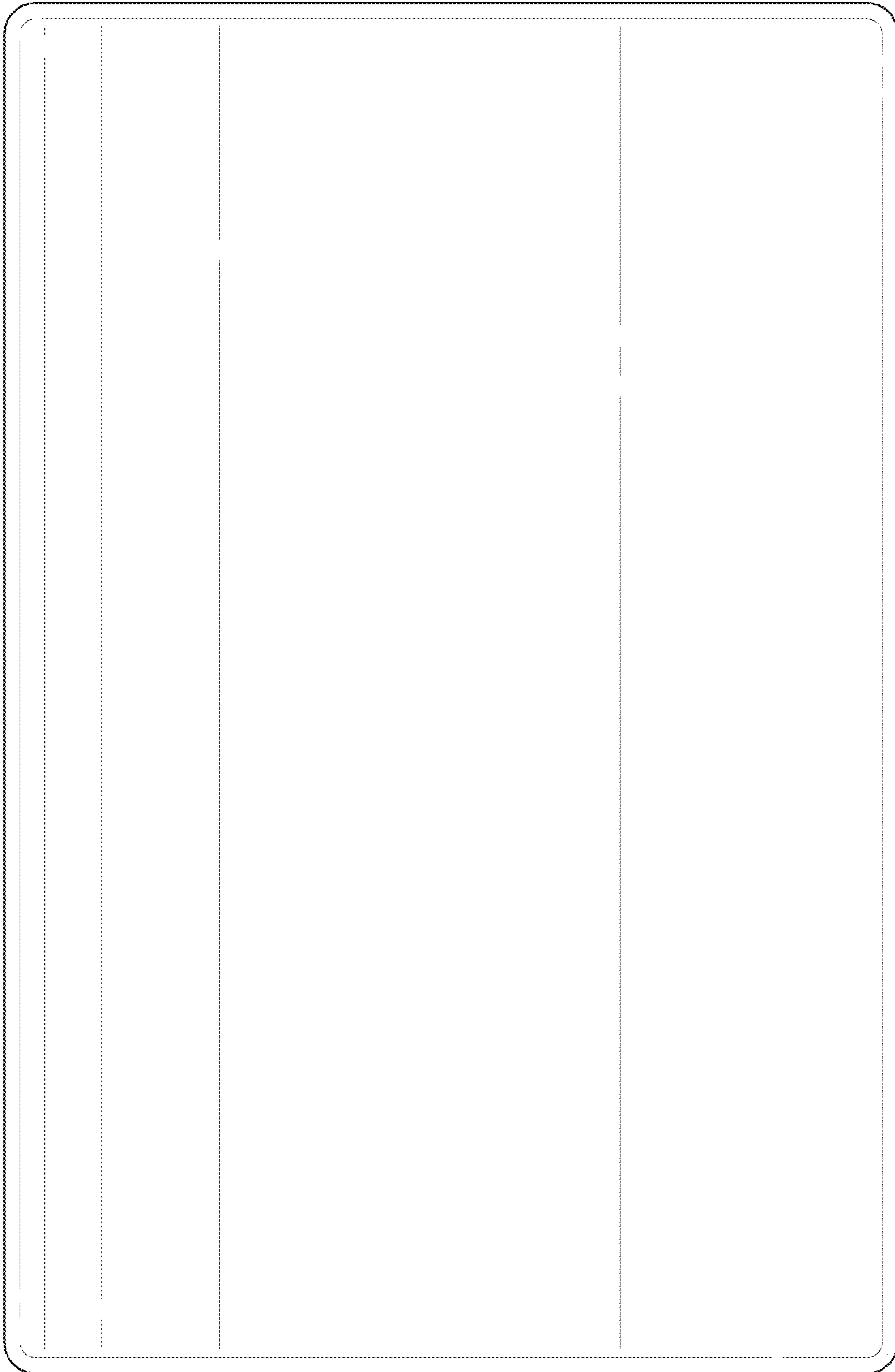


FIG. 3

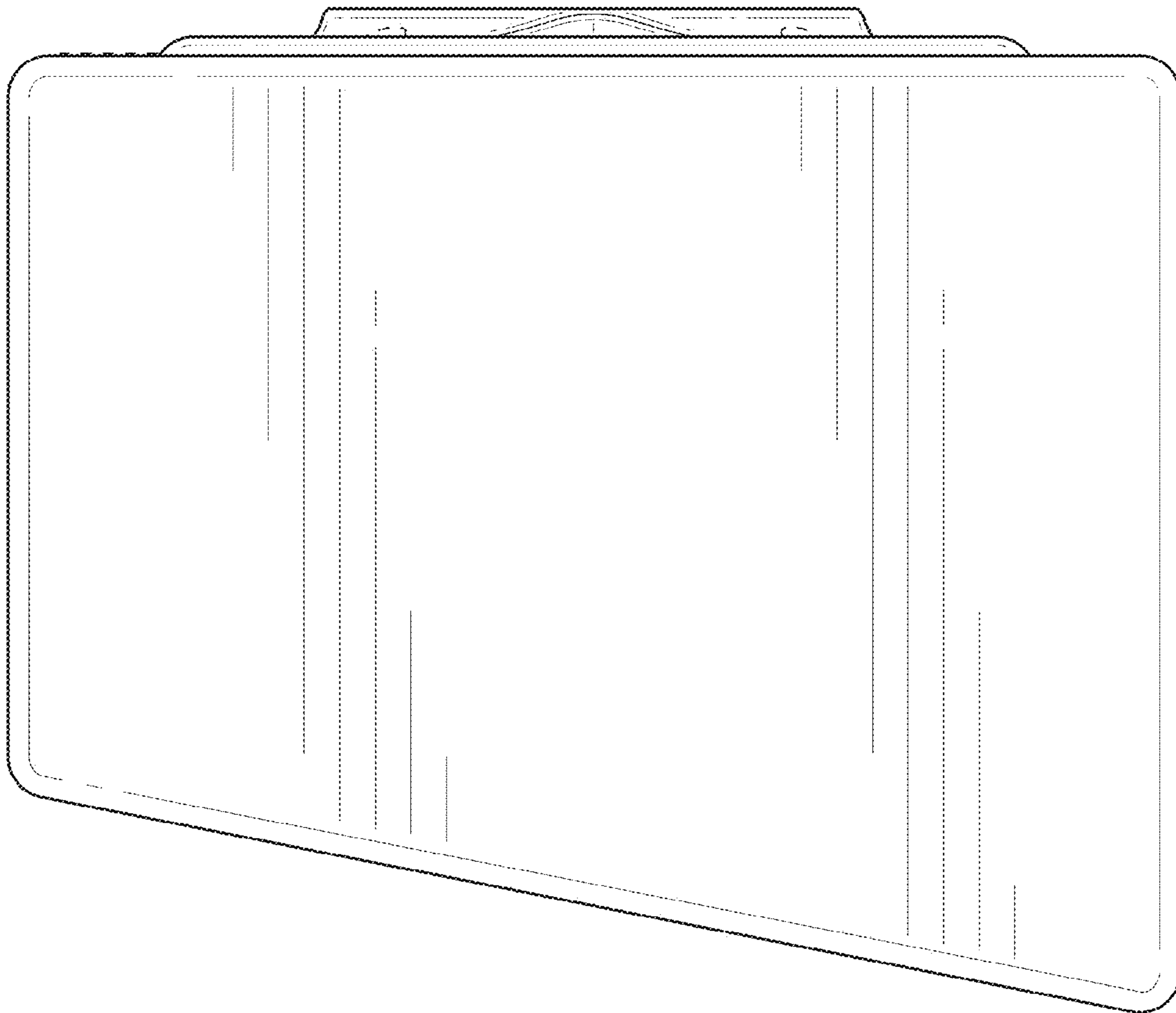


FIG. 4

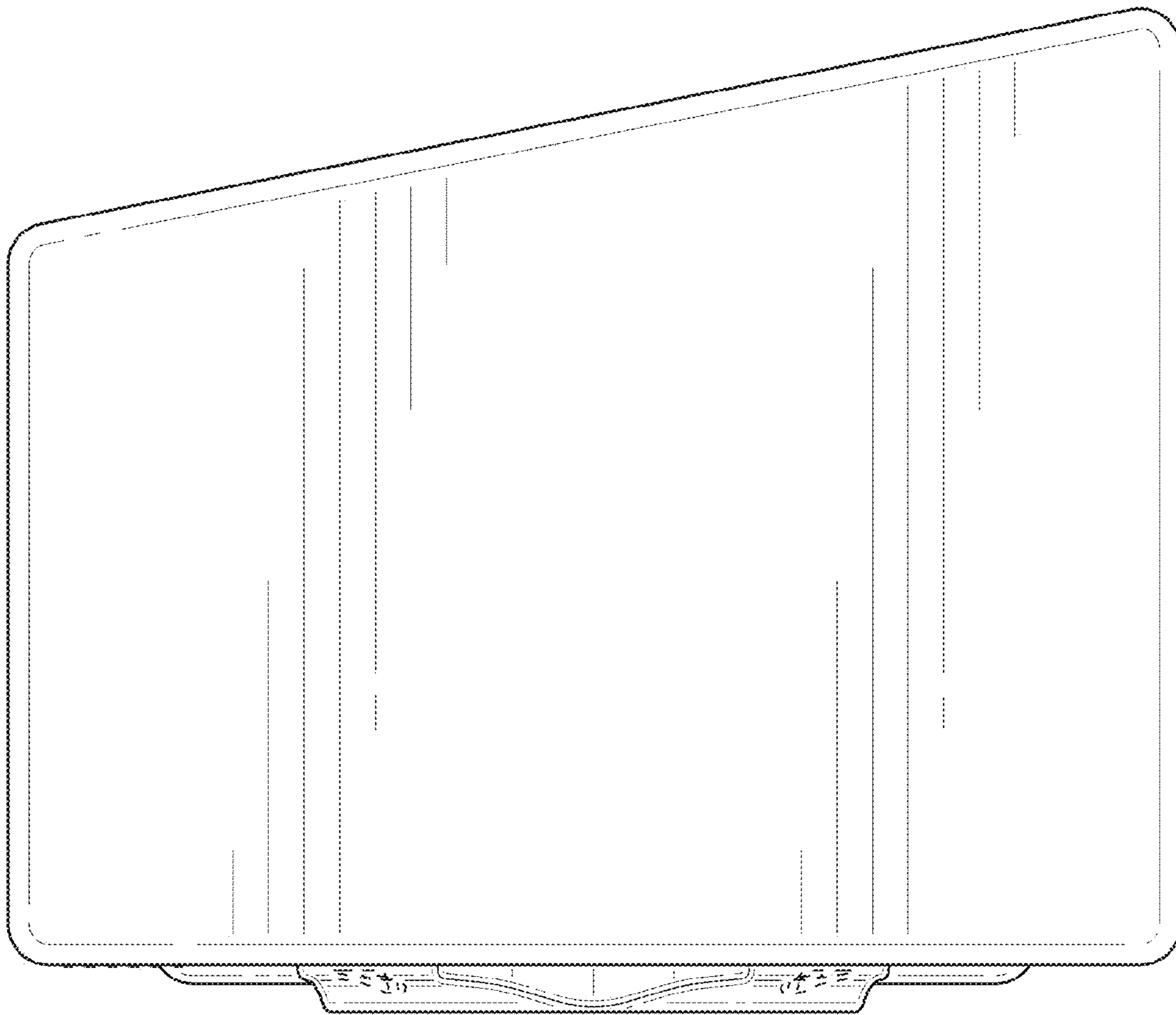


FIG. 5

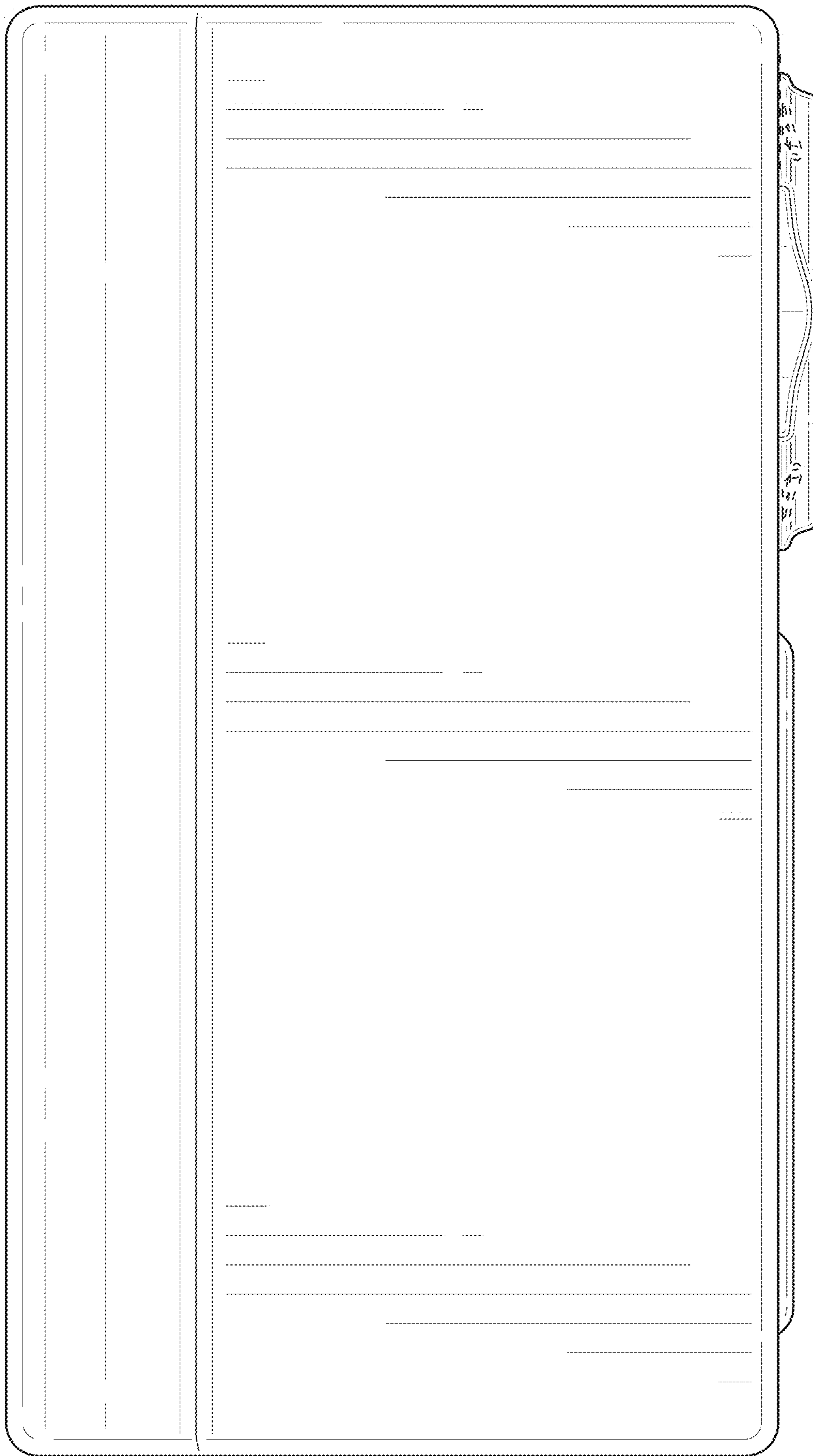


FIG. 6

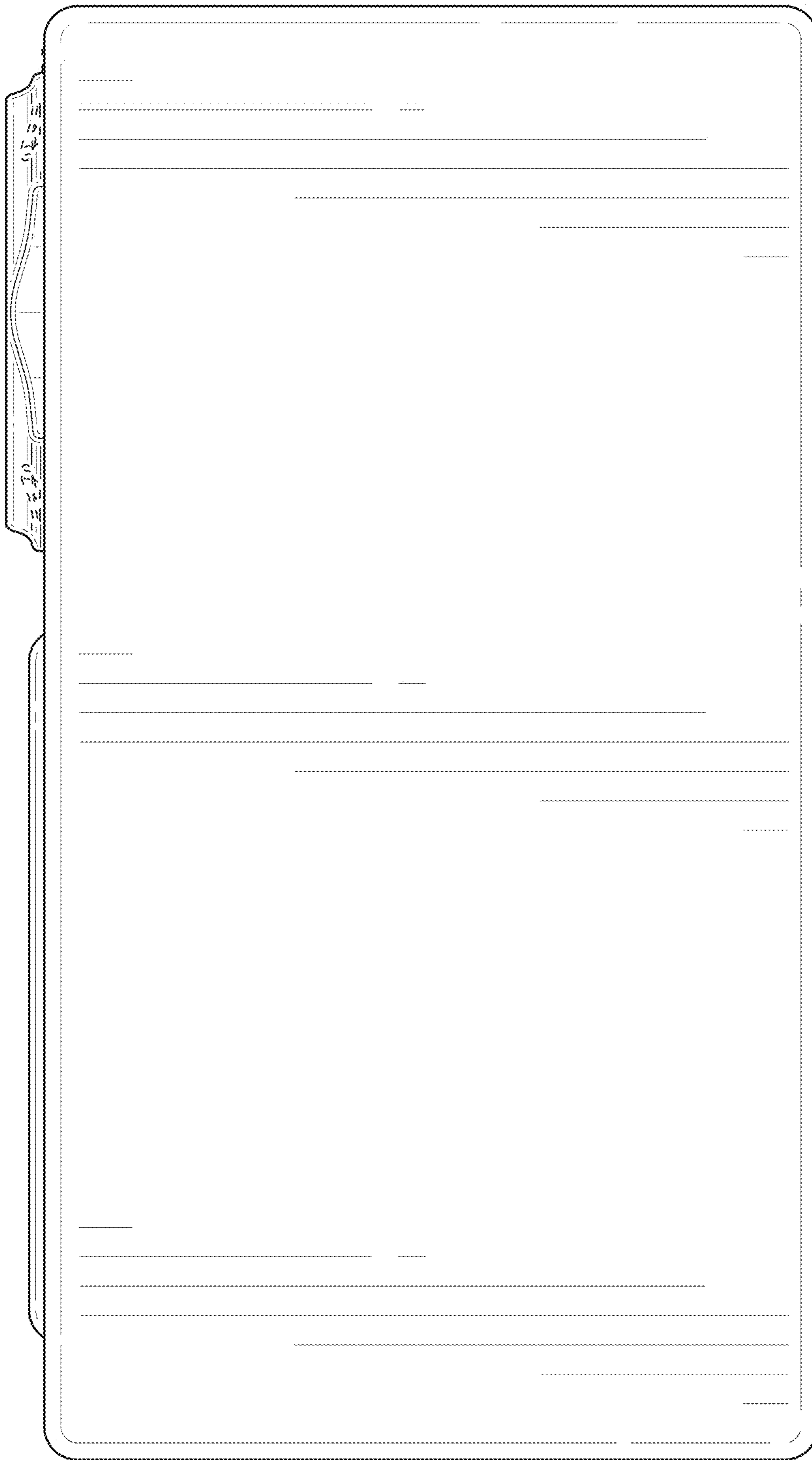


FIG. 7