



US00D951226S

(12) **United States Design Patent** (10) **Patent No.:** **US D951,226 S**  
**Brunner et al.** (45) **Date of Patent:** **\*\* May 10, 2022**

(54) **HEADSET**

(71) Applicant: **Apple Inc.**, Cupertino, CA (US)

(72) Inventors: **Robert Brunner**, Glen Ellen, CA (US);  
**Christopher Kuh**, San Francisco, CA (US)

(73) Assignee: **Apple Inc.**, Cupertino, CA (US)

(\*\*) Term: **15 Years**

(21) Appl. No.: **29/804,762**

(22) Filed: **Aug. 23, 2021**

**Related U.S. Application Data**

(60) Continuation of application No. 29/713,080, filed on Nov. 13, 2019, now Pat. No. Des. 928,734, which is a continuation of application No. 29/634,460, filed on Jan. 22, 2018, now Pat. No. Des. 867,327, which is a continuation of application No. 29/568,227, filed on Jun. 16, 2016, now Pat. No. Des. 809,477, which is a continuation of application No. 29/527,761, filed on May 21, 2015, now Pat. No. Des. 760,688, which is a continuation of application No. 29/490,833, filed on May 14, 2014, now Pat. No. Des. 732,503, which is a continuation of application No. 29/471,109, filed on Oct. 28, 2013, now Pat. No. Des. 709,860, which is a division of application No. 29/410,584, filed on Jan. 9, 2012, now Pat. No. Des. 692,410.

(51) **LOC (13) Cl.** ..... **14-01**

(52) **U.S. Cl.**  
USPC ..... **D14/205**

(58) **Field of Classification Search**  
USPC ..... D14/205, 223, 188, 192; D29/112;  
2/209; 381/380, 381, 370, 374, 74;  
455/90.3, 575.1, 569.1  
CPC ..... H04R 25/00; H04R 25/02; H04R 1/1066;  
H04R 1/1016; H04R 5/033; H04R  
5/0335; H04R 1/1091; H04R 1/1075  
See application file for complete search history.

(56) **References Cited**

**U.S. PATENT DOCUMENTS**

1,066,511 A	7/1913	Markoff	
2,149,341 A	3/1939	Harrison	
3,104,398 A	9/1963	Palmaer	
D203,677 S	2/1966	Spilman	
D215,375 S *	9/1969	Doggert	..... D10/118
D244,300 S	5/1977	Besasio	
4,173,715 A	11/1979	Gosman	
D254,183 S	2/1980	Doodson	
D254,876 S	5/1980	Reitenga et al.	

(Continued)

**FOREIGN PATENT DOCUMENTS**

EM	008158794-0001	*	9/2020
EM	008408066-0001	*	1/2021

(Continued)

*Primary Examiner* — Paula Allen Greene

(74) *Attorney, Agent, or Firm* — Sterne, Kessler, Goldstein & Fox P.L.L.C.

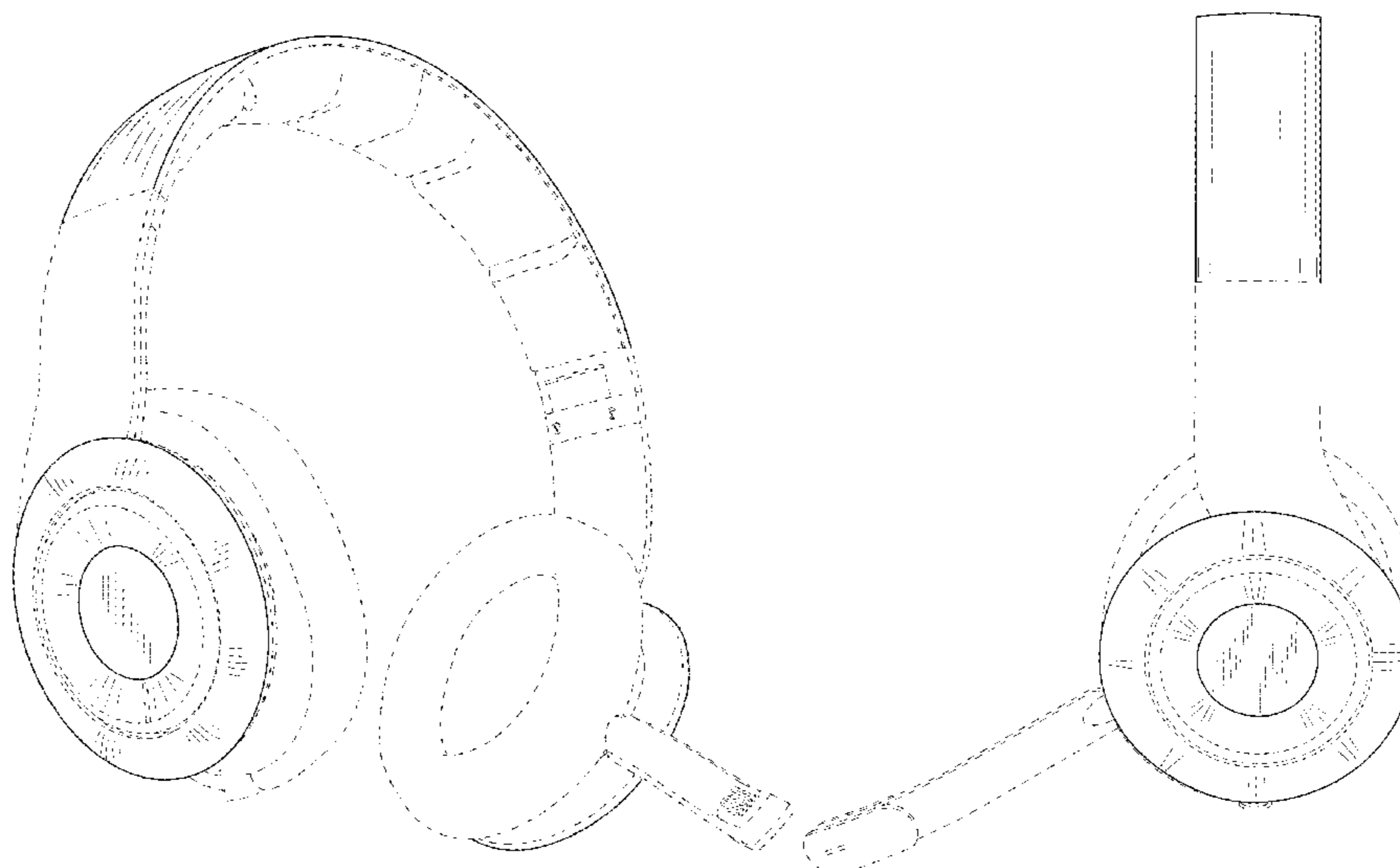
(57) **CLAIM**

The ornamental design for a headset, as shown and described.

**DESCRIPTION**

FIG. 1 is a front perspective view of a headset showing the claimed design;  
FIG. 2 is a rear view thereof;  
FIG. 3 is a bottom view thereof;  
FIG. 4 is a front view thereof;  
FIG. 5 is a right side view thereof;  
FIG. 6 is a left side view thereof; and,  
FIG. 7 is a top view thereof.  
The broken lines in the figures show portions of the headset that form no part of the claimed design.

**1 Claim, 7 Drawing Sheets**



(56)

References Cited

U.S. PATENT DOCUMENTS

4,609,786 A	9/1986	Omoto et al.	D625,705 S	10/2010	Ohuri et al.
4,634,816 A	1/1987	O'Malley	D632,668 S	2/2011	Brunner et al.
D300,528 S *	4/1989	Drane ..... D13/171	D633,896 S	3/2011	Kondo et al.
4,875,233 A	10/1989	Derhaag et al.	D635,959 S	4/2011	Hutchieson
D313,092 S	12/1990	Nilsson	D637,176 S	5/2011	Brunner et al.
5,018,599 A	5/1991	Dohi et al.	D637,998 S	5/2011	Brunner et al.
5,035,005 A	7/1991	Hung	D637,999 S	5/2011	Brunner et al.
D328,074 S	7/1992	Yamazaki et al.	D638,000 S	5/2011	Hoggarth
D328,461 S	8/1992	Daido et al.	D639,776 S	6/2011	Arimoto
D338,010 S	8/1993	Yamatogi	D641,725 S	7/2011	Chong et al.
D351,172 S	10/1994	Nakamura et al.	D643,833 S *	8/2011	Lee ..... D14/223
D358,389 S	5/1995	Isono	D648,330 S	11/2011	Fischer
D374,658 S *	10/1996	Bever ..... D13/171	D652,017 S	1/2012	Groves et al.
D375,825 S	11/1996	Whidden	D652,405 S	1/2012	Lee et al.
D392,629 S	3/1998	Amafuji et al.	D652,406 S	1/2012	Lee et al.
D394,649 S	5/1998	Pombo	D654,471 S	2/2012	Fischer
D402,318 S *	12/1998	Dunipace ..... D21/443	D654,472 S	2/2012	Fischer
D403,128 S	12/1998	Scanlon et al.	D657,344 S	4/2012	Brunner et al.
D420,356 S	2/2000	Suzuki	D657,345 S	4/2012	Brunner et al.
D422,592 S	4/2000	Deguchi	D657,776 S *	4/2012	Lee ..... D14/205
6,081,604 A	6/2000	Hikichi et al.	D660,823 S	5/2012	Hardi et al.
D430,140 S	8/2000	Roman	D660,824 S	5/2012	Hardi et al.
D435,249 S	12/2000	Yasutomi	D660,826 S	5/2012	Brunner et al.
6,163,615 A	12/2000	Callahan	D662,490 S	6/2012	McSweyn
6,195,839 B1	3/2001	Patterson et al.	D663,716 S	7/2012	Hardi et al.
D457,512 S	5/2002	Yoneda	D671,914 S *	12/2012	Lee ..... D14/205
6,449,806 B1	9/2002	Engelhard et al.	D673,136 S	12/2012	Kelly et al.
D464,630 S *	10/2002	Woodworth ..... D13/171	D673,518 S	1/2013	Tan
D468,723 S	1/2003	Pham et al.	D673,520 S	1/2013	Tan
6,560,346 B2	5/2003	Ohta et al.	D674,767 S	1/2013	Brunner et al.
D484,485 S	12/2003	Matsuoka	D675,595 S	2/2013	Cho et al.
6,654,966 B2	12/2003	Rolla	D677,647 S *	3/2013	Lee ..... D14/205
D484,868 S	1/2004	Suzuki	D683,329 S	5/2013	Hagelin
6,678,897 B2	1/2004	Lindgren	D689,843 S *	9/2013	Lee ..... D14/205
D491,163 S	6/2004	Green	D691,112 S	10/2013	Brunner et al.
D502,938 S	3/2005	Tokioka et al.	D691,579 S *	10/2013	Lee ..... D14/205
D504,883 S	5/2005	Jacobson et al.	D691,984 S	10/2013	Wang
D512,381 S	12/2005	Sirichai et al.	D692,410 S *	10/2013	Brunner ..... H04S 1/005 D14/206
D512,417 S *	12/2005	Hirakawa ..... D14/223	D698,749 S	2/2014	Brunner et al.
D512,708 S	12/2005	Harris, Jr. et al.	D700,904 S *	3/2014	Miller ..... D14/218
D512,981 S	12/2005	Jacobson et al.	D704,163 S	5/2014	Brunner et al.
D517,043 S	3/2006	Jacobson et al.	D709,860 S *	7/2014	Brunner ..... H04R 1/1008 D14/205
7,072,483 B2	7/2006	Lenhard-Backhaus	D711,348 S *	8/2014	Yang ..... D14/205
D532,407 S	11/2006	Motoishi	D716,760 S	11/2014	Brunner et al.
D534,155 S	12/2006	Obata	D722,302 S *	2/2015	Lee ..... D14/205
D534,156 S	12/2006	Obata	D732,503 S *	6/2015	Brunner ..... H04R 1/1008 D14/205
7,172,052 B2	2/2007	Lenhard-Backhaus	D734,296 S *	7/2015	Paterson ..... D14/205
D539,788 S	4/2007	Thompson et al.	9,084,055 B2	7/2015	Brunner et al.
D540,301 S	4/2007	Obata	D760,688 S *	7/2016	Brunner ..... H04R 1/1008 D14/206
D540,303 S	4/2007	Rausch et al.	D764,435 S *	8/2016	Brunner ..... D14/205
D541,255 S	4/2007	Taylor et al.	9,445,185 B2	9/2016	Brunner et al.
D541,256 S	4/2007	Rausch et al.	D775,104 S *	12/2016	Lee ..... D14/205
D541,257 S	4/2007	Thursfield	D795,835 S *	8/2017	Nagamine ..... D14/205
D552,077 S	10/2007	Brunner et al.	D809,477 S *	2/2018	Brunner ..... H04S 1/005 D14/205
D557,684 S	12/2007	Pundsack et al.	D809,478 S *	2/2018	Arimoto ..... D14/205
D560,654 S	1/2008	Feng	D814,438 S	4/2018	Brunner et al.
D563,382 S	3/2008	Wikel	D852,166 S *	6/2019	Levine ..... D14/205
D563,995 S	3/2008	Deguchi et al.	D857,652 S *	8/2019	Wang ..... D14/205
D582,890 S	12/2008	Koza et al.	D860,969 S	9/2019	Brunner et al.
D584,715 S	1/2009	Brennwald	D867,327 S *	11/2019	Brunner ..... H04R 1/1008 D14/205
D585,870 S	2/2009	Zheng et al.	D869,430 S *	12/2019	Rama ..... D14/205
D585,871 S	2/2009	Lee	D869,437 S *	12/2019	Hu ..... D14/205
D585,872 S	2/2009	Lee	D875,068 S *	2/2020	Nagamine ..... D14/205
D588,098 S	3/2009	Kurihara	D879,066 S *	3/2020	Chen ..... D14/205
D588,100 S	3/2009	Densho et al.	D879,742 S *	3/2020	Hu ..... D14/205
D591,263 S	4/2009	Shimizu	D893,449 S *	8/2020	Tsubone ..... D14/205
D592,182 S	5/2009	Sanguinetti	D922,978 S	6/2021	Brunner et al.
D592,640 S	5/2009	Tkachuk	D928,734 S *	8/2021	Brunner ..... H04S 1/005 D14/205
D593,995 S	6/2009	Shimizu			
D600,674 S	9/2009	Brennwald			
D603,370 S	11/2009	Suzuki			
D603,371 S	11/2009	Boateng et al.			
D616,865 S	6/2010	Marchand et al.	2003/0182713 A1	10/2003	Rolla
D617,769 S	6/2010	Birger	2004/0216946 A1	11/2004	Lenhard-Backhaus
7,735,154 B2	6/2010	Gellis et al.	2005/0053255 A1	3/2005	Harris et al.
			2005/0226452 A1	10/2005	Amoe et al.



(56)

**References Cited**

## U.S. PATENT DOCUMENTS

2006/0001307 A1 1/2006 Embach  
2006/0062417 A1 3/2006 Tachikawa  
2006/0104471 A1 5/2006 Tsunoda et al.  
2008/0056525 A1 3/2008 Fujiwara et al.  
2009/0220118 A1 9/2009 Meier et al.  
2010/0128884 A1 5/2010 Sapiejewski et al.  
2010/0284558 A1 11/2010 Kimura et al.  
2011/0206216 A1 8/2011 Brunner et al.  
2017/0318371 A1\* 11/2017 McAllister ..... H04R 1/1008  
2018/0132027 A1\* 5/2018 Hawkes ..... G06F 3/04847  
2021/0084401 A1\* 3/2021 Smiechowski ..... H04R 1/1041  
2021/0368269 A1\* 11/2021 Bounamin Sylla ... H04L 9/3226

## FOREIGN PATENT DOCUMENTS

EM 008526248-0001 \* 4/2021  
EM 008593883-0004 \* 6/2021  
EM 008761589-0001 \* 11/2021  
GB 2072035 B 1/1998  
GB 9006643714-0001 \* 7/2019  
GB 9008190300-0001 \* 9/2020  
JP D1318386 S 12/2007  
JP D1406347 S 1/2011  
JP D1430542 S 12/2011  
KR 30-0476152 1/2008  
WO WO 2007103561 A2 9/2007  
WO WO 2012094176 A2 7/2012

\* cited by examiner

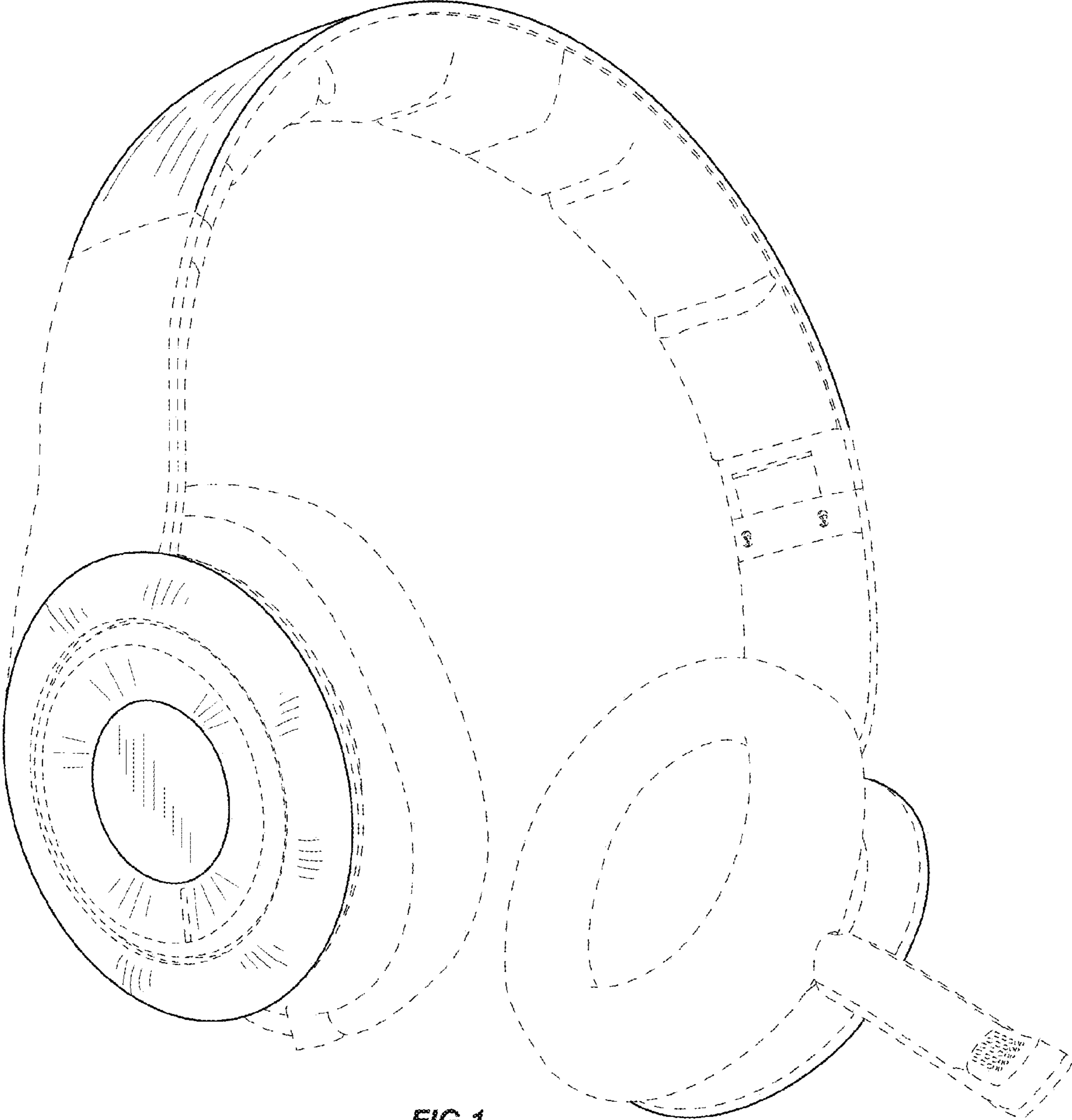


FIG. 1

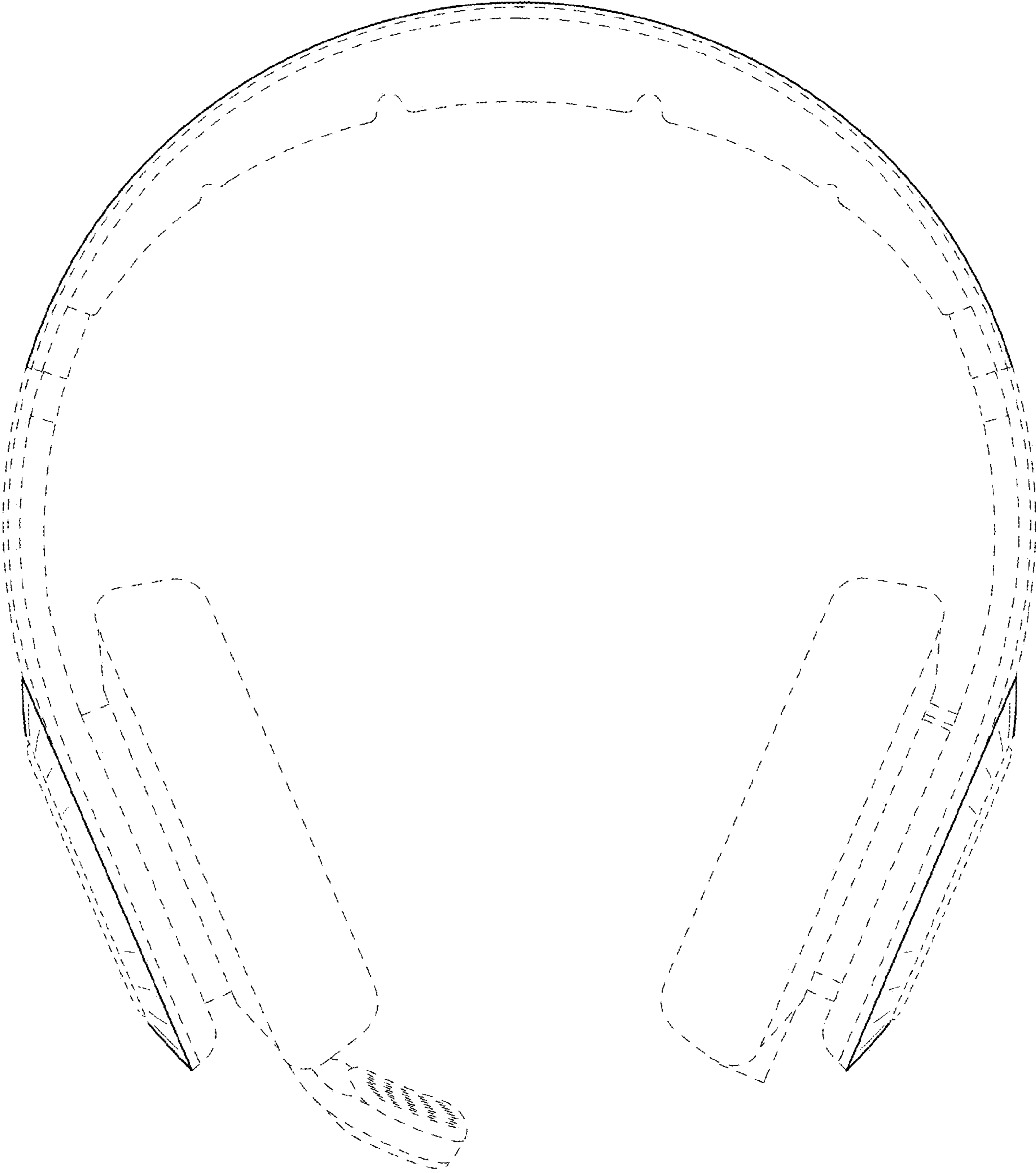


FIG.2

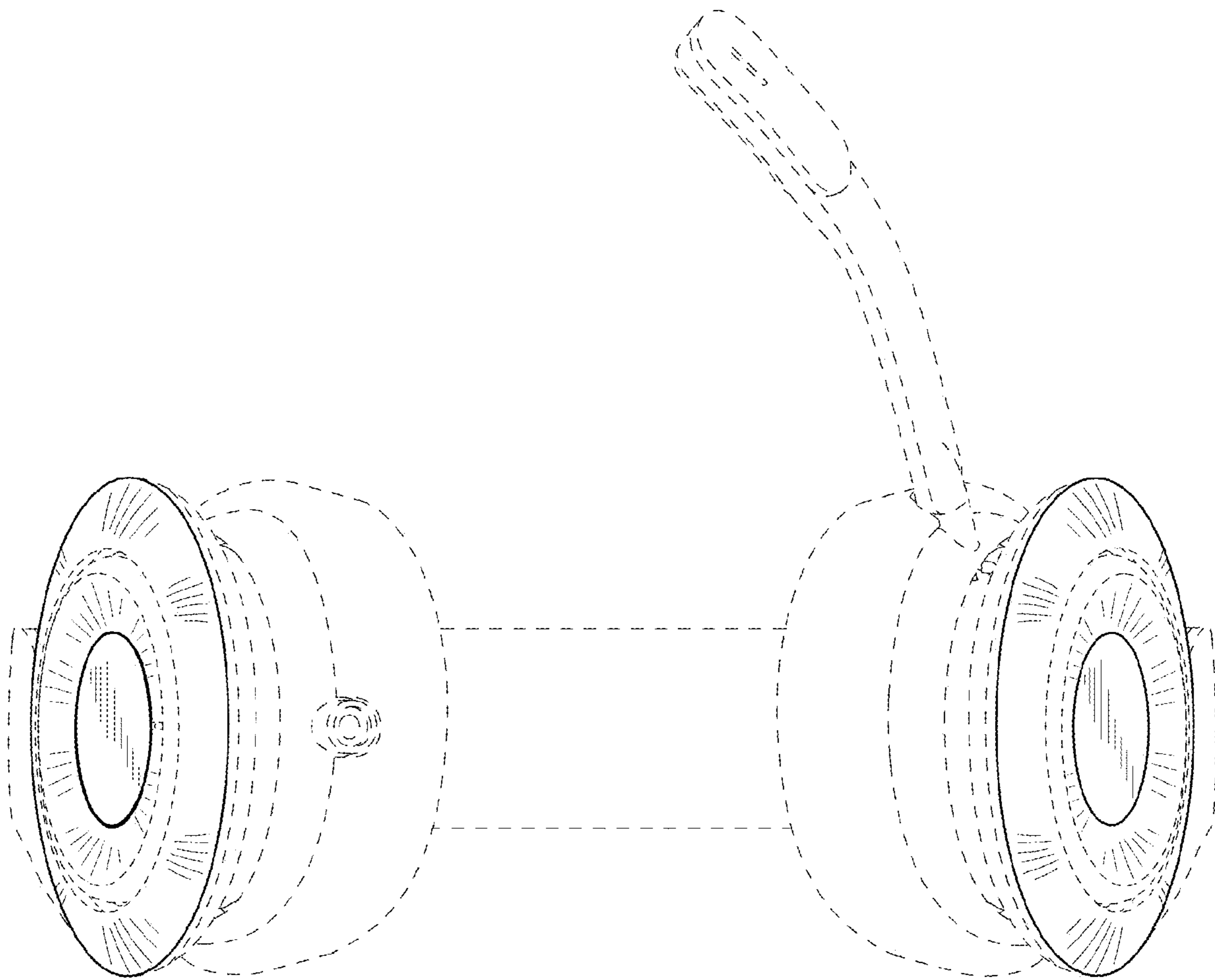


FIG.3

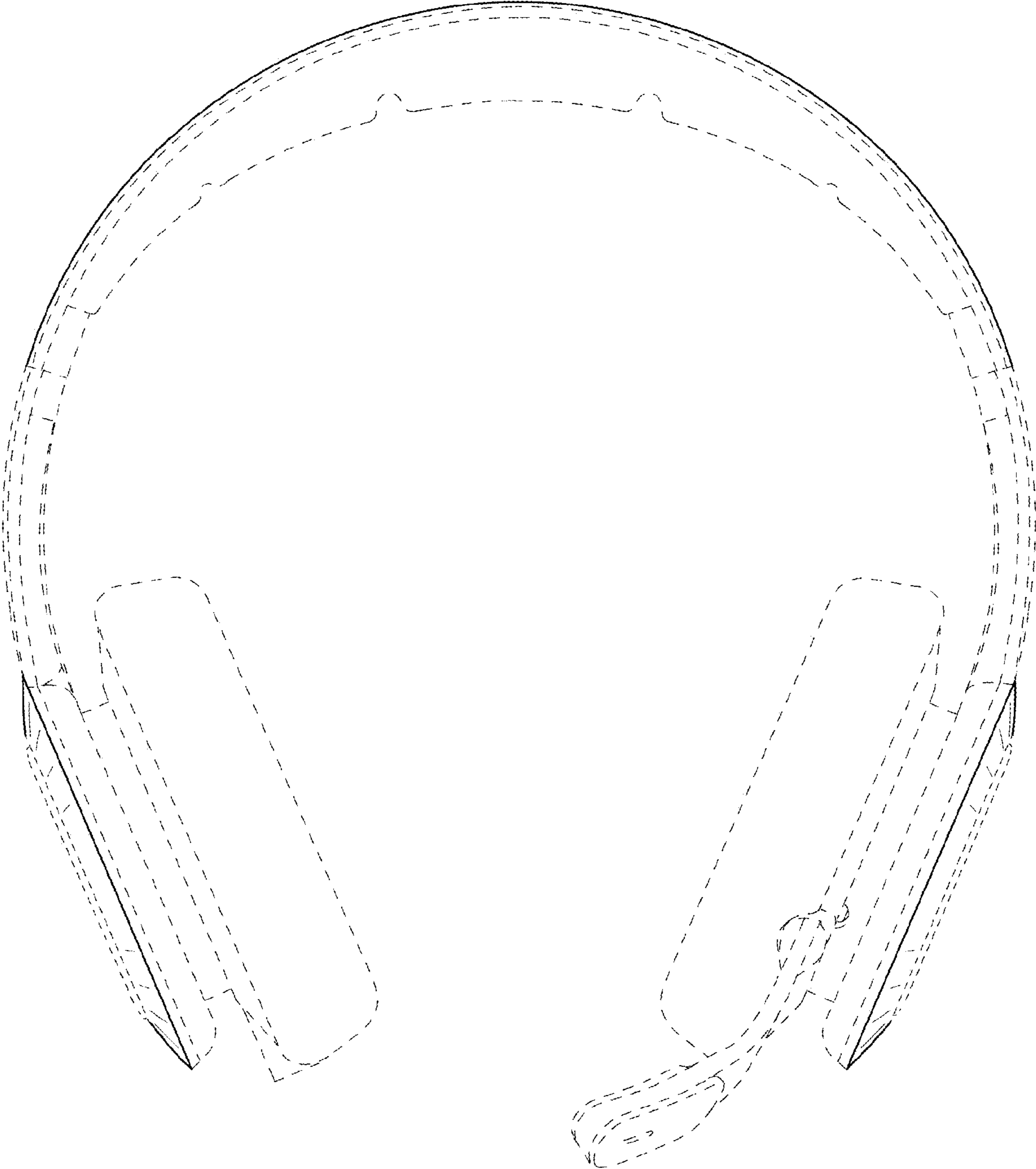


FIG.4

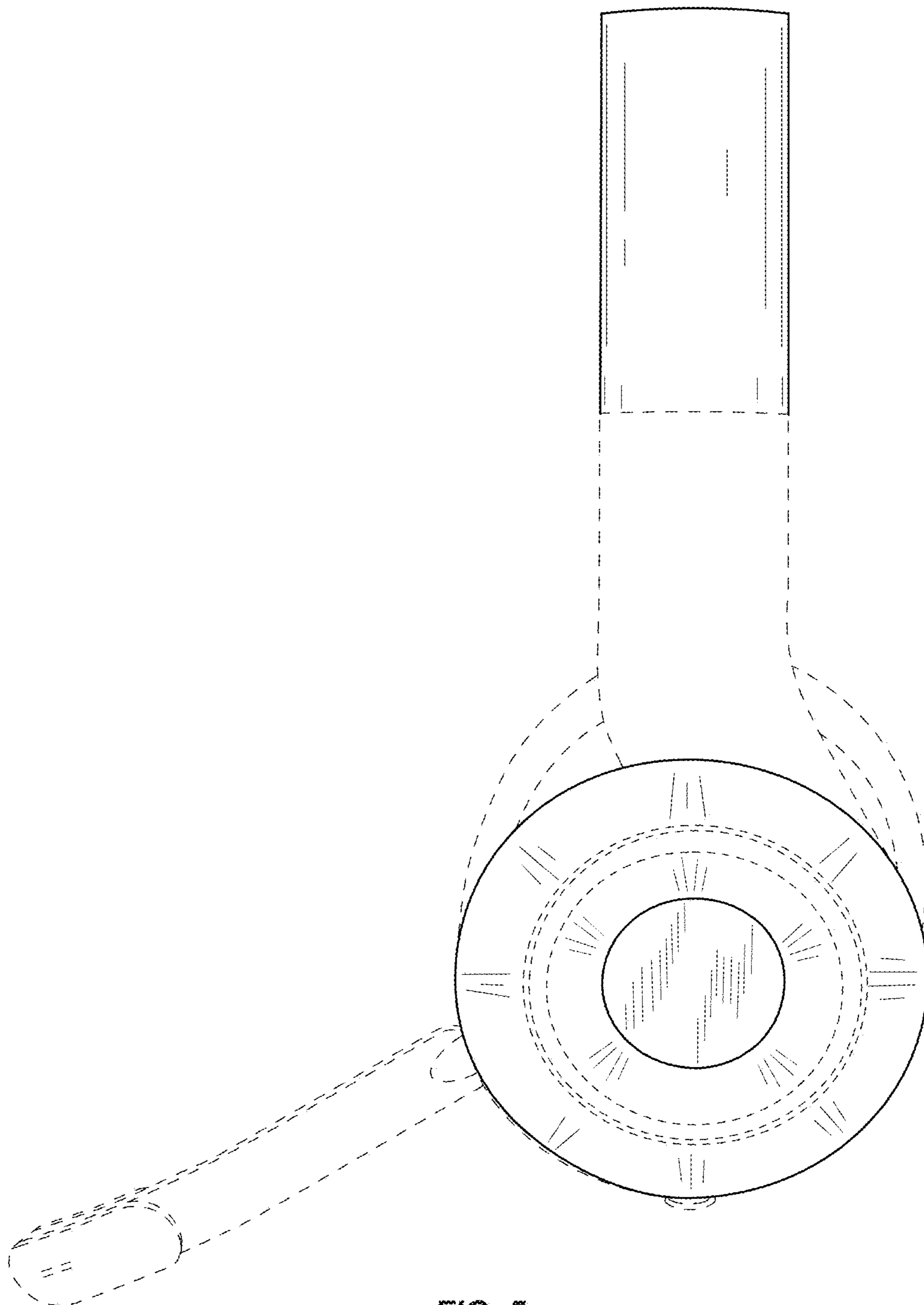


FIG. 5



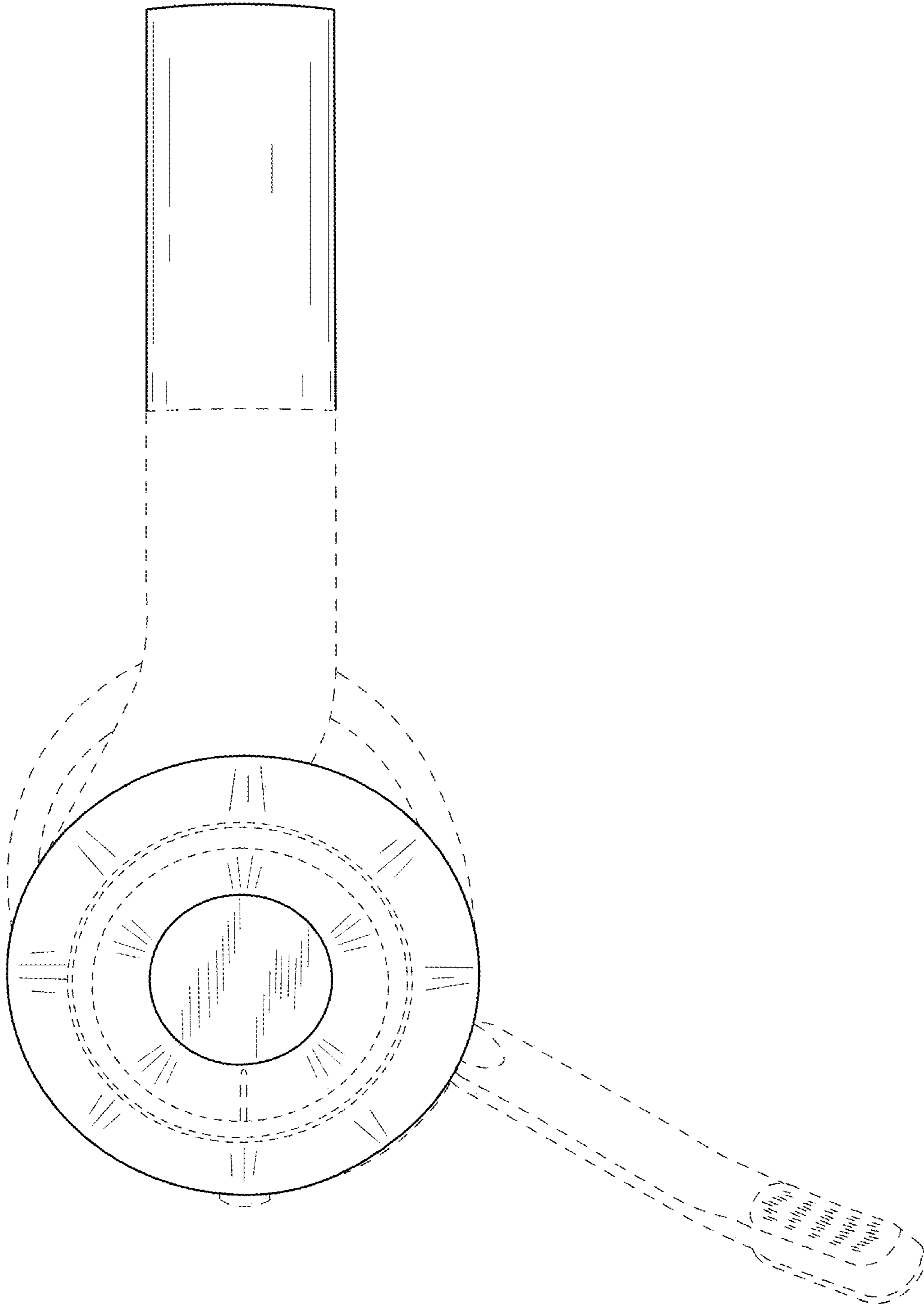


FIG. 6

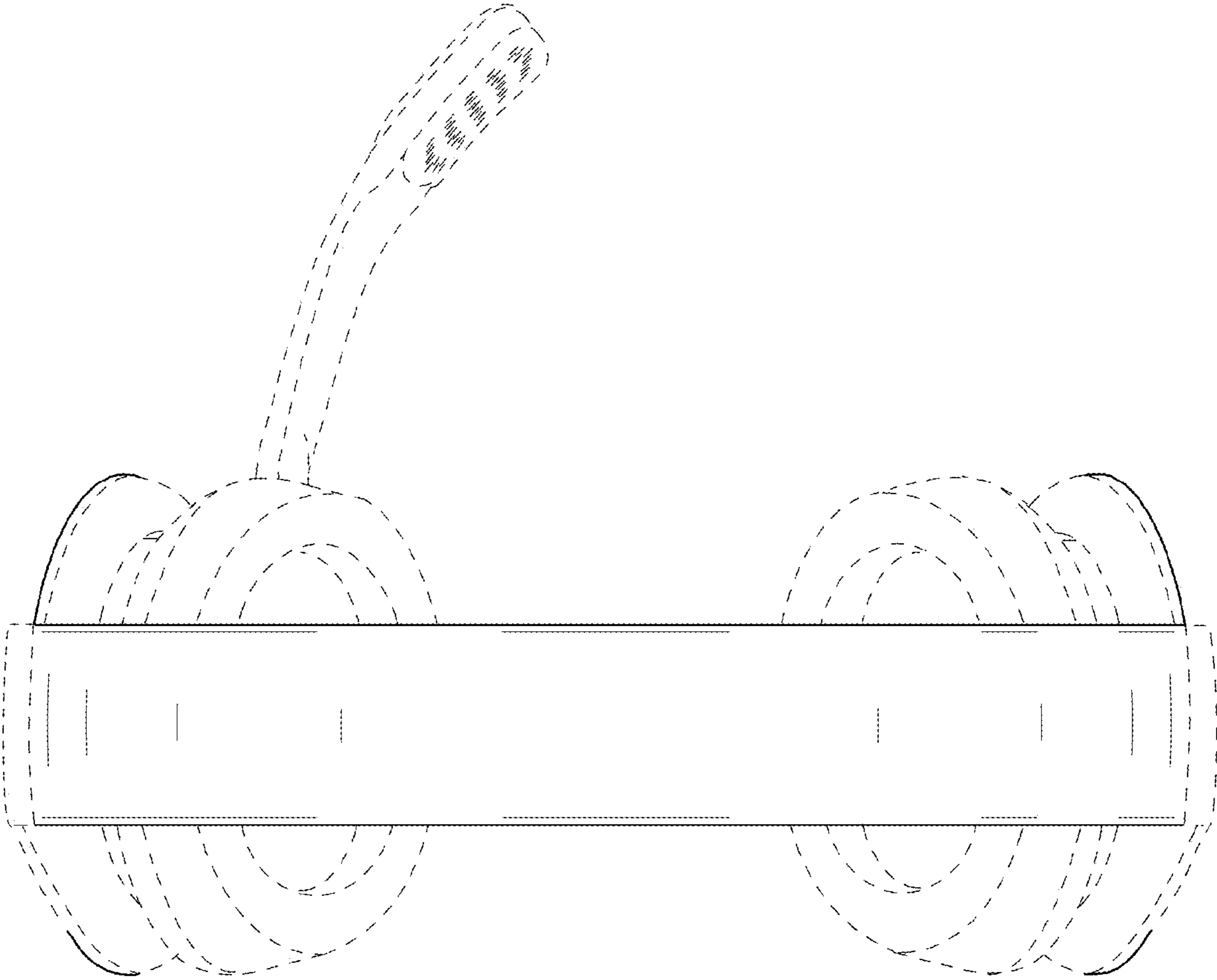


FIG.7