



US00D951225S

(12) **United States Design Patent**  
**MacDonald**

(10) **Patent No.:** **US D951,225 S**

(45) **Date of Patent:** **\*\* May 10, 2022**

(54) **HEADPHONE**

(71) Applicant: **Skullcandy, Inc.**, Park City, UT (US)

(72) Inventor: **Kyle MacDonald**, Salt Lake City, UT (US)

(73) Assignee: **Skullcandy, Inc.**, Park City, UT (US)

(\*\*) Term: **15 Years**

(21) Appl. No.: **29/723,429**

(22) Filed: **Feb. 6, 2020**

(51) **LOC (13) Cl.** ..... **14-01**

(52) **U.S. Cl.**

USPC ..... **D14/205**

(58) **Field of Classification Search**

USPC ..... D14/205, 188, 192; D29/112; 2/209;  
381/380, 381, 374, 74; 455/90.3, 575.1,  
455/569.1

CPC ..... H04R 25/00; H04R 25/02; H04R 1/1066;  
H04R 1/1016; H04R 5/033; H04R  
5/0335; H04R 1/1008; H04R 1/1083;  
H04R 1/1091

See application file for complete search history.

(56) **References Cited**

**U.S. PATENT DOCUMENTS**

- 1,560,718 A \* 11/1925 Nowosielski ..... H04R 1/1066  
381/377
- 2,149,341 A \* 3/1939 Harrison ..... H04R 1/1066  
381/379
- 3,053,944 A \* 9/1962 Weeks ..... H04R 1/1066  
381/377
- 3,505,684 A \* 4/1970 Hutchinson ..... A61F 11/14  
2/209
- 4,409,442 A \* 10/1983 Kamimura ..... H04R 5/0335  
381/370
- 4,471,496 A \* 9/1984 Gardner, Jr. .... A61F 11/14  
2/209

- 4,571,746 A \* 2/1986 Gorike ..... H04R 5/0335  
2/209
  - D300,133 S \* 3/1989 Daidoh ..... D14/205
  - 5,793,878 A \* 8/1998 Chang ..... H04R 5/0335  
381/370
  - 6,392,196 B1 \* 5/2002 Lin ..... A61F 11/14  
2/209
  - D534,156 S \* 12/2006 Obata ..... D14/205
- (Continued)

**FOREIGN PATENT DOCUMENTS**

- EM 005940541-0001 \* 12/2018
- EM 008078794-0001 \* 8/2020

(Continued)

**OTHER PUBLICATIONS**

Canadian Examination Report from Canadian Application No. 197509, dated Nov. 26, 2021, 2 pages.

*Primary Examiner* — Paula Allen Greene

(74) *Attorney, Agent, or Firm* — TraskBritt

(57) **CLAIM**

The ornamental design for a headphone, as shown and described.

**DESCRIPTION**

FIG. 1 is a perspective view of a headphone showing the new design;

FIG. 2 is a front view of the headphone shown in FIG. 1;

FIG. 3 is a back view of the headphone shown in FIG. 1;

FIG. 4 is a left side view of the headphone shown in FIG. 1;

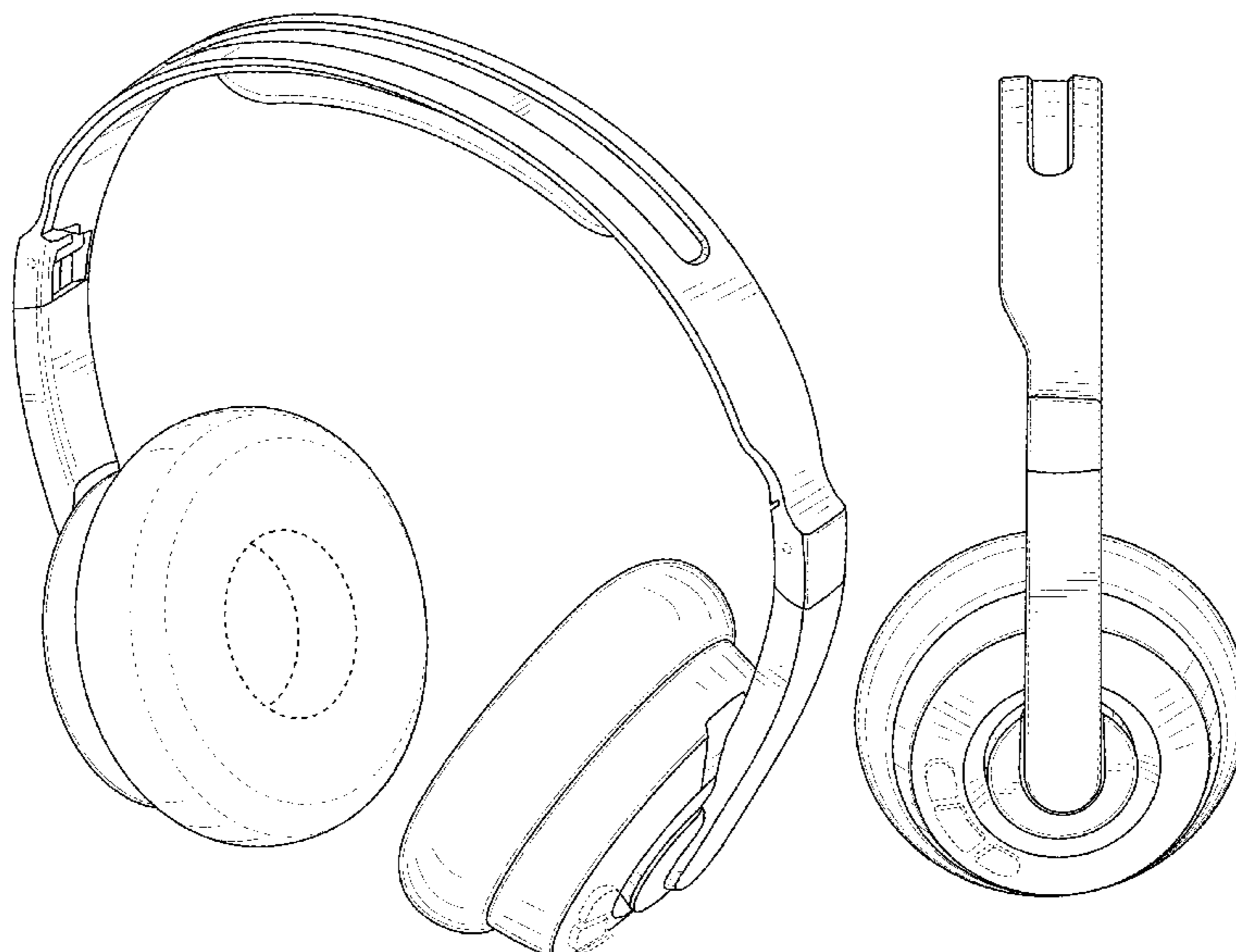
FIG. 5 is a right side view of the headphone shown in FIG. 1;

FIG. 6 is top view of the headphone shown in FIG. 1; and,

FIG. 7 is bottom view of the headphone shown in FIG. 1.

The broken lines in the drawing illustrate portions of the headphone that form no part of the claimed design.

**1 Claim, 5 Drawing Sheets**



(56)

References Cited

U.S. PATENT DOCUMENTS

D544,464 S \* 6/2007 Lee ..... D14/205  
 D571,354 S \* 6/2008 Ng ..... D14/205  
 D588,100 S \* 3/2009 Densho ..... D14/205  
 D600,674 S \* 9/2009 Brennwald ..... D14/205  
 D603,371 S \* 11/2009 Boateng ..... D14/205  
 D625,705 S \* 10/2010 Ohori ..... D14/205  
 D628,554 S \* 12/2010 Tedja ..... D14/205  
 D632,668 S \* 2/2011 Brunner ..... D14/205  
 D635,959 S \* 4/2011 Hutchieson ..... D14/205  
 D637,176 S \* 5/2011 Brunner ..... D14/205  
 D641,725 S \* 7/2011 Chong ..... D14/205  
 8,006,320 B1 \* 8/2011 Rohbani ..... A61F 11/14  
 2/209  
 D652,406 S \* 1/2012 Lee ..... D14/205  
 D657,344 S \* 4/2012 Brunner ..... D14/205  
 D657,345 S \* 4/2012 Brunner ..... H04R 5/033  
 D14/205  
 D657,776 S \* 4/2012 Lee ..... D14/205  
 D660,823 S \* 5/2012 Hardi ..... D14/205  
 D660,824 S \* 5/2012 Hardi ..... D14/205  
 D662,080 S \* 6/2012 Carr ..... D14/205  
 D663,716 S \* 7/2012 Hardi ..... D14/205  
 D664,117 S \* 7/2012 Tappeiner ..... D14/205  
 D671,914 S \* 12/2012 Lee ..... D14/205  
 D673,136 S \* 12/2012 Kelly ..... D14/205  
 D673,520 S \* 1/2013 Tan ..... D14/205  
 D674,767 S \* 1/2013 Brunner ..... D14/205  
 D675,595 S \* 2/2013 Cho ..... D14/205  
 D677,648 S \* 3/2013 Lee ..... D14/206  
 D678,860 S \* 3/2013 Hagelin ..... D14/205  
 D683,329 S \* 5/2013 Hagelin ..... D14/205  
 D689,843 S \* 9/2013 Lee ..... D14/205  
 D691,579 S \* 10/2013 Lee ..... D14/205  
 D691,984 S \* 10/2013 Wang ..... D14/205  
 D696,226 S \* 12/2013 Brunner ..... H04R 1/1008  
 D14/205  
 D696,228 S \* 12/2013 Miyake ..... D14/205  
 D699,702 S \* 2/2014 Chen ..... D14/205  
 D706,240 S \* 6/2014 Szymanski ..... H04R 1/1066  
 D14/205  
 8,755,555 B2 \* 6/2014 Dougherty ..... H04R 1/1066  
 381/378  
 D712,871 S \* 9/2014 McNamara ..... D14/205  
 D715,255 S \* 10/2014 Nunez ..... D14/205  
 D719,135 S \* 12/2014 Kelley ..... D14/205  
 D722,998 S \* 2/2015 Sancho ..... D14/205  
 D725,630 S \* 3/2015 Nakagawa ..... D14/205  
 D731,457 S \* 6/2015 Brunner ..... D14/205  
 D732,000 S \* 6/2015 Brunner ..... D14/205

D732,503 S \* 6/2015 Brunner ..... H04R 1/1008  
 D14/205  
 D734,296 S \* 7/2015 Paterson ..... D14/205  
 D738,350 S \* 9/2015 Brunner ..... D14/205  
 D739,378 S \* 9/2015 Chung ..... D14/205  
 D742,357 S \* 11/2015 Chung ..... D14/205  
 D746,791 S \* 1/2016 Yuen ..... D14/205  
 D760,687 S \* 7/2016 Brunner ..... D14/205  
 D765,056 S \* 8/2016 Yang ..... D14/205  
 D767,531 S \* 9/2016 Szymanski ..... D14/205  
 D786,824 S \* 5/2017 Hembrey ..... D14/205  
 D791,103 S \* 7/2017 Brunner ..... D14/205  
 D800,691 S \* 10/2017 Ando ..... D14/205  
 D809,475 S \* 2/2018 Dryden ..... D14/205  
 D809,478 S \* 2/2018 Arimoto ..... D14/205  
 D810,046 S \* 2/2018 Dryden ..... D14/205  
 D817,303 S \* 5/2018 Tragatschnig ..... D14/205  
 D840,969 S \* 2/2019 Dryden ..... D14/205  
 D840,973 S \* 2/2019 Dryden ..... D14/205  
 D843,345 S \* 3/2019 Brunner ..... D14/205  
 D855,034 S \* 7/2019 Loh ..... D14/205  
 D858,483 S \* 9/2019 Hu ..... D14/205  
 D866,513 S \* 11/2019 Lindof ..... D14/206  
 D866,514 S \* 11/2019 Lindof ..... D14/206  
 D872,047 S \* 1/2020 Luo ..... D14/205  
 D874,428 S \* 2/2020 Bennett ..... D14/205  
 D877,716 S \* 3/2020 Hu ..... D14/205  
 D879,066 S \* 3/2020 Chen ..... D14/205  
 D879,742 S \* 3/2020 Hu ..... D14/205  
 D881,157 S \* 4/2020 Chen ..... D14/205  
 D883,949 S \* 5/2020 Hu ..... D14/205  
 D889,432 S \* 7/2020 Brunner ..... D14/205  
 D895,570 S \* 9/2020 Choi ..... D14/205  
 D901,436 S \* 11/2020 Peng ..... D14/205  
 D901,438 S \* 11/2020 Reiten ..... D14/205  
 D910,592 S \* 2/2021 Luo ..... D14/205  
 D913,990 S \* 3/2021 Saule ..... D14/205  
 D916,047 S \* 4/2021 Xiao ..... D14/205  
 2002/0094094 A1 \* 7/2002 Shin ..... H04R 1/1066  
 381/104  
 2010/0177907 A1 \* 7/2010 Morisawa ..... H04R 5/0335  
 381/74  
 2018/0270565 A1 \* 9/2018 Ganeshkumar ..... H04R 3/005  
 2020/0137479 A1 \* 4/2020 Kamstrup ..... H04R 1/08  
 2020/0297540 A1 \* 9/2020 Kamimura ..... H04R 1/1008

FOREIGN PATENT DOCUMENTS

EM 008192264-0001 \* 9/2020  
 EM 008264709-0001 \* 11/2020  
 GB 9008078794-0001 \* 8/2020

\* cited by examiner



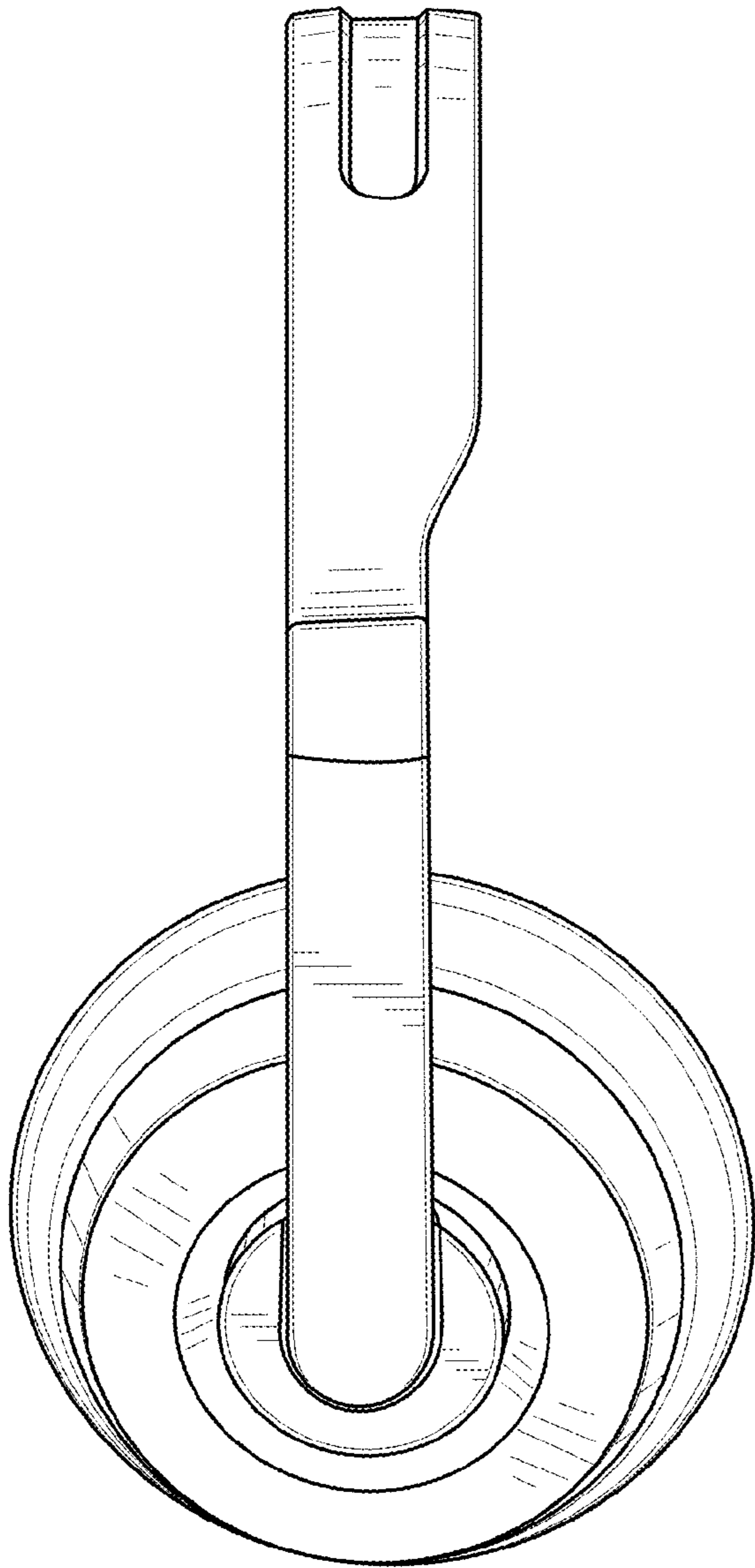
**FIG. 1**



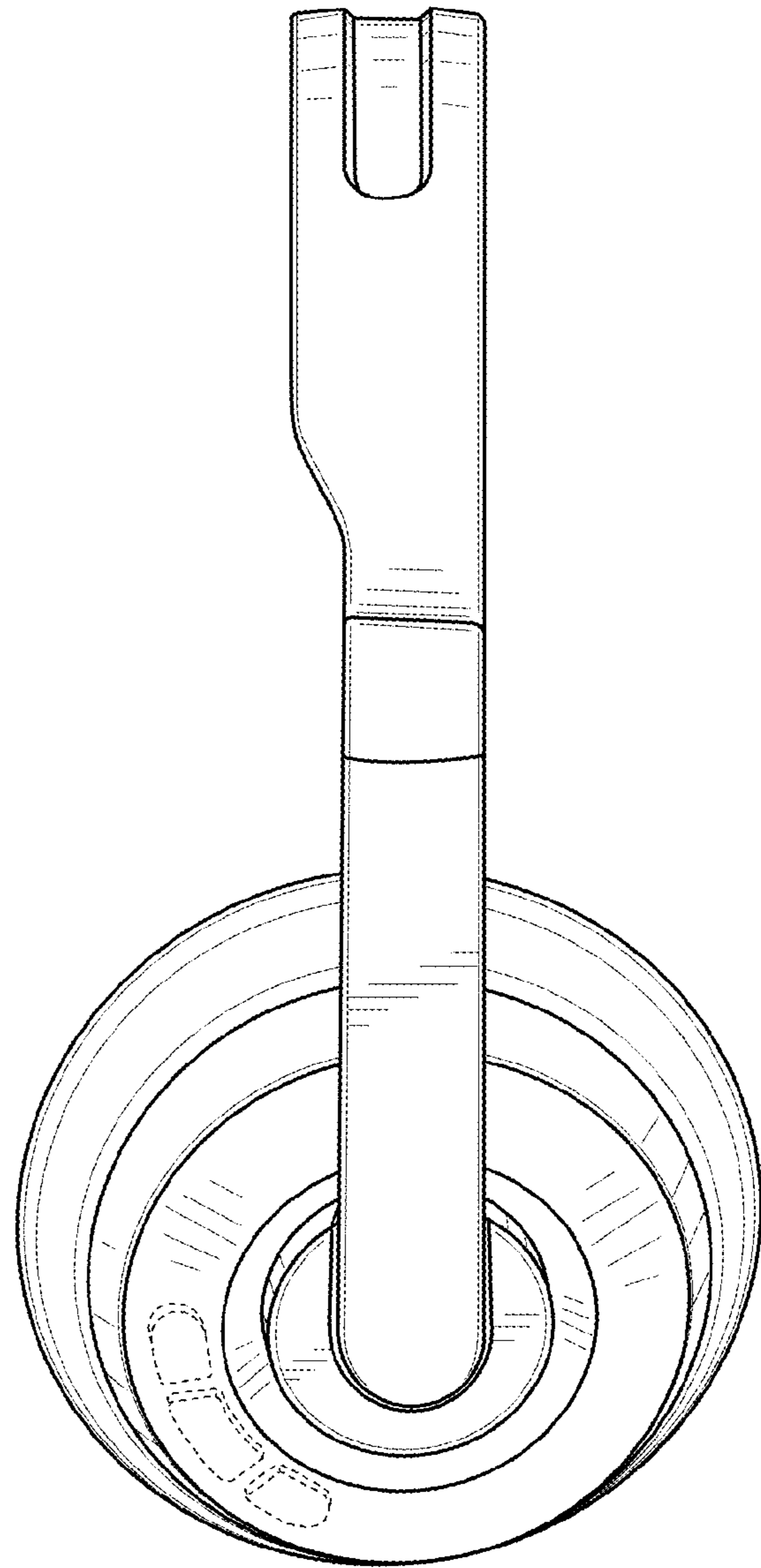
**FIG. 2**



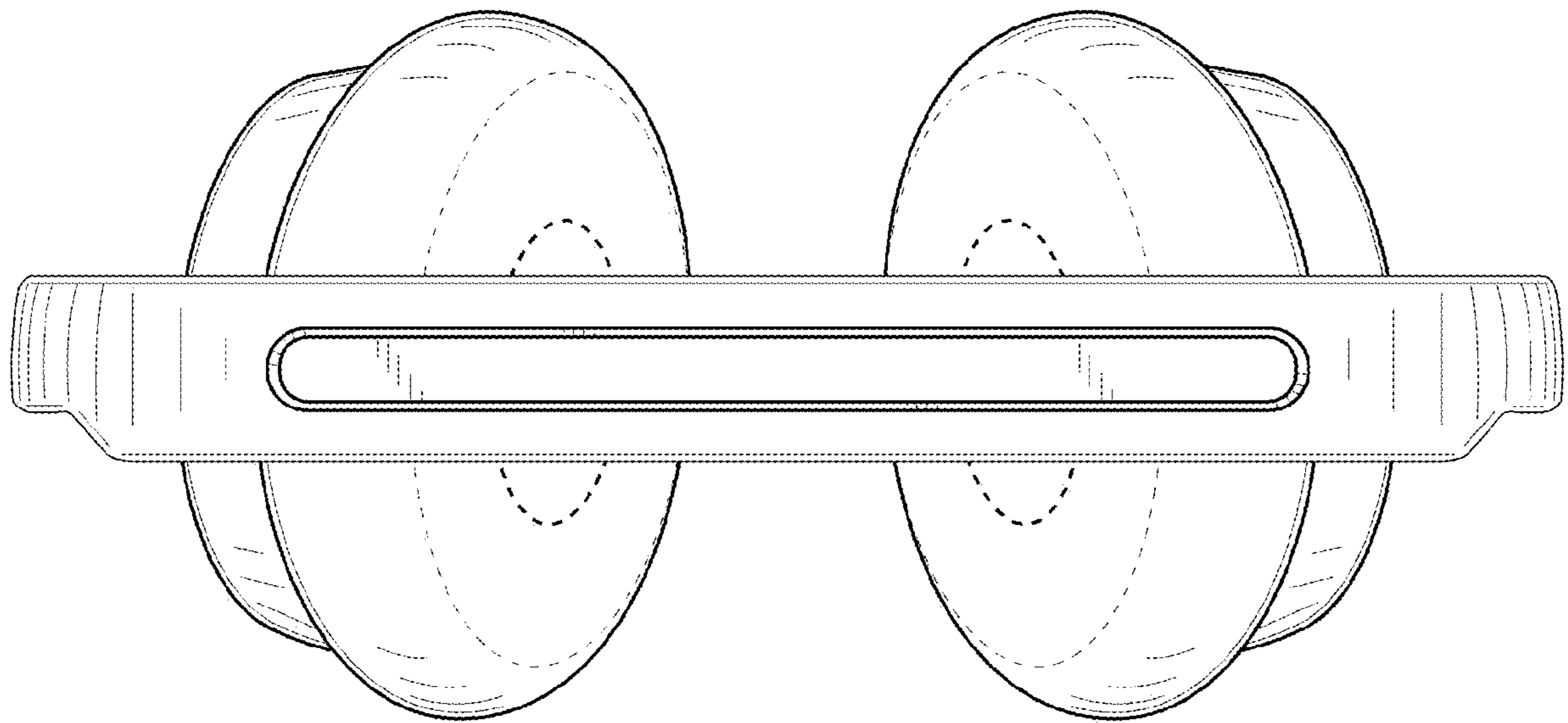
**FIG. 3**



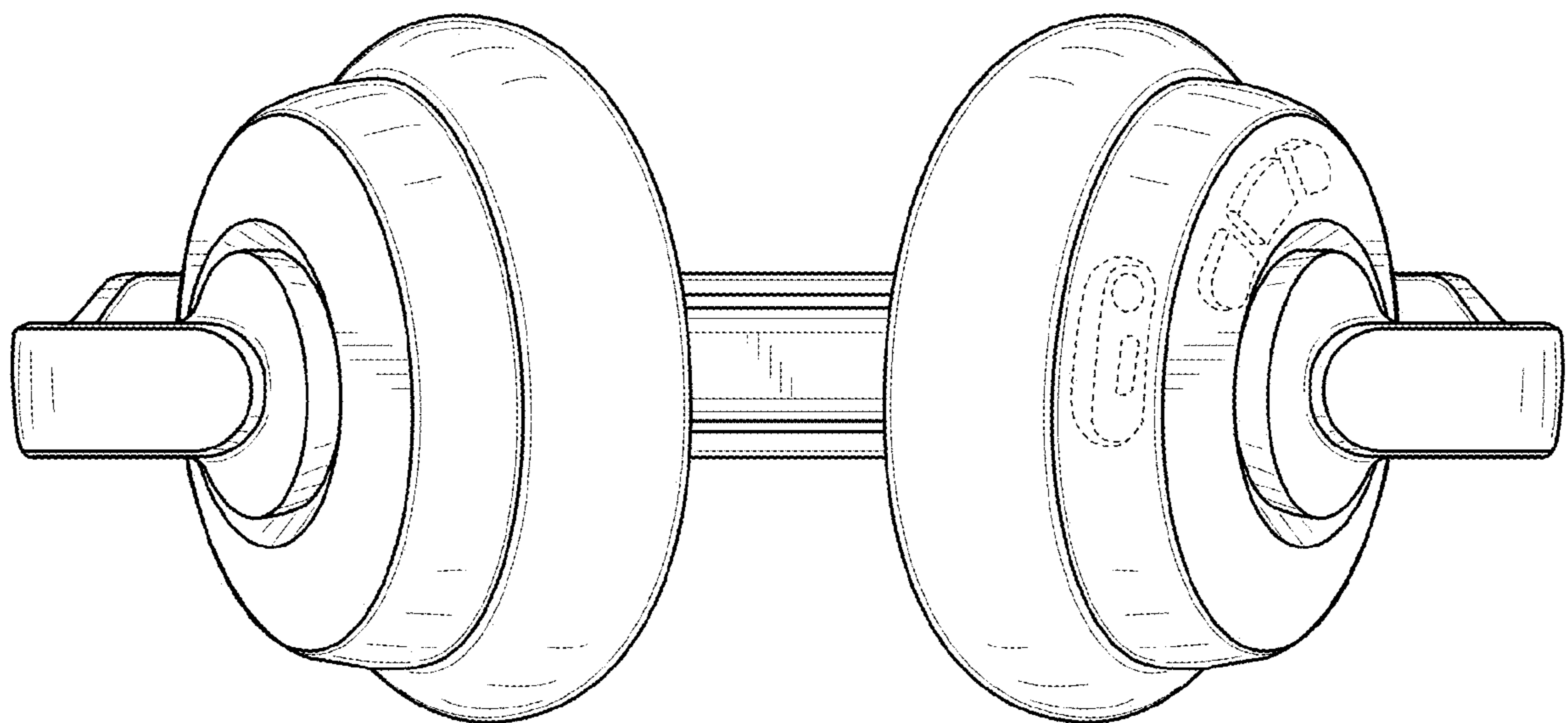
**FIG. 4**



**FIG. 5**



**FIG. 6**



**FIG. 7**