



US00D951224S

(12) **United States Design Patent** (10) **Patent No.:** **US D951,224 S**  
**Siu** (45) **Date of Patent:** **\*\* May 10, 2022**

(54) **CUBE SPEAKER**  
(71) Applicant: **Lithe Audio LTD**, Crawley (GB)  
(72) Inventor: **Wesley Siu**, Crawley (GB)  
(73) Assignee: **Lithe Audio Ltd**, Crawley (GB)  
(\*\*) Term: **15 Years**  
(21) Appl. No.: **29/744,639**  
(22) Filed: **Jul. 30, 2020**  
(51) **LOC (13) Cl.** ..... **14-01**  
(52) **U.S. Cl.**  
USPC ..... **D14/204**  
(58) **Field of Classification Search**  
USPC ..... D14/125, 167, 168, 170-172, 188, 193,  
D14/196, 203.1, 203.2, 204, 209.1, 348,  
D14/433, 203.3, 203.4, 203.5, 203.6,  
D14/203.7, 203.8, 210-217, 219, 221,  
D14/222, 224, 226, 240, 496-505;  
D16/203, 207, 210, 218; D13/103  
CPC ..... B60R 11/0217; G06F 1/1688; G10K 9/22;  
G10K 11/004; H04R 1/02; H04R 1/021;  
H04R 1/023; H04R 1/025; H04R 1/026;  
H04R 1/028; H04R 1/1075; H04R 1/323;  
H04R 1/403; H04R 1/2803; H04R  
1/2834; H04R 5/00; H04R 5/02; H04R  
5/04; H04R 9/02; H04R 9/06; H04R  
9/10; H04R 2420/07; H04R 2201/021;  
H04R 2400/00; H04R 31/003; H04S  
3/00; H04S 7/30  
See application file for complete search history.

(56) **References Cited**  
U.S. PATENT DOCUMENTS  
D324,685 S \* 3/1992 Strohbeen ..... D14/210  
5,937,074 A \* 8/1999 Carver ..... H04R 3/00  
381/395

D570,828 S \* 6/2008 Cho ..... D14/215  
D664,122 S \* 7/2012 Cho ..... D14/215  
D680,097 S \* 4/2013 Davies ..... D14/215  
D718,736 S \* 12/2014 Thompson ..... H04R 31/003  
D14/196  
D761,230 S \* 7/2016 Si ..... H04R 9/02  
D14/214  
D897,991 S \* 10/2020 Gonzalez ..... H04R 5/04  
D14/214  
2012/0155693 A1 \* 6/2012 Wei ..... H04R 9/10  
381/386  
2013/0177198 A1 \* 7/2013 Hogue ..... H04R 5/04  
381/394  
2014/0029772 A1 \* 1/2014 Kumagai ..... H04R 9/02  
381/162  
2019/0069073 A1 \* 2/2019 Fujitani ..... H04R 1/1075  
\* cited by examiner

*Primary Examiner* — Janice Patyk  
(74) *Attorney, Agent, or Firm* — Blank Rome LLP

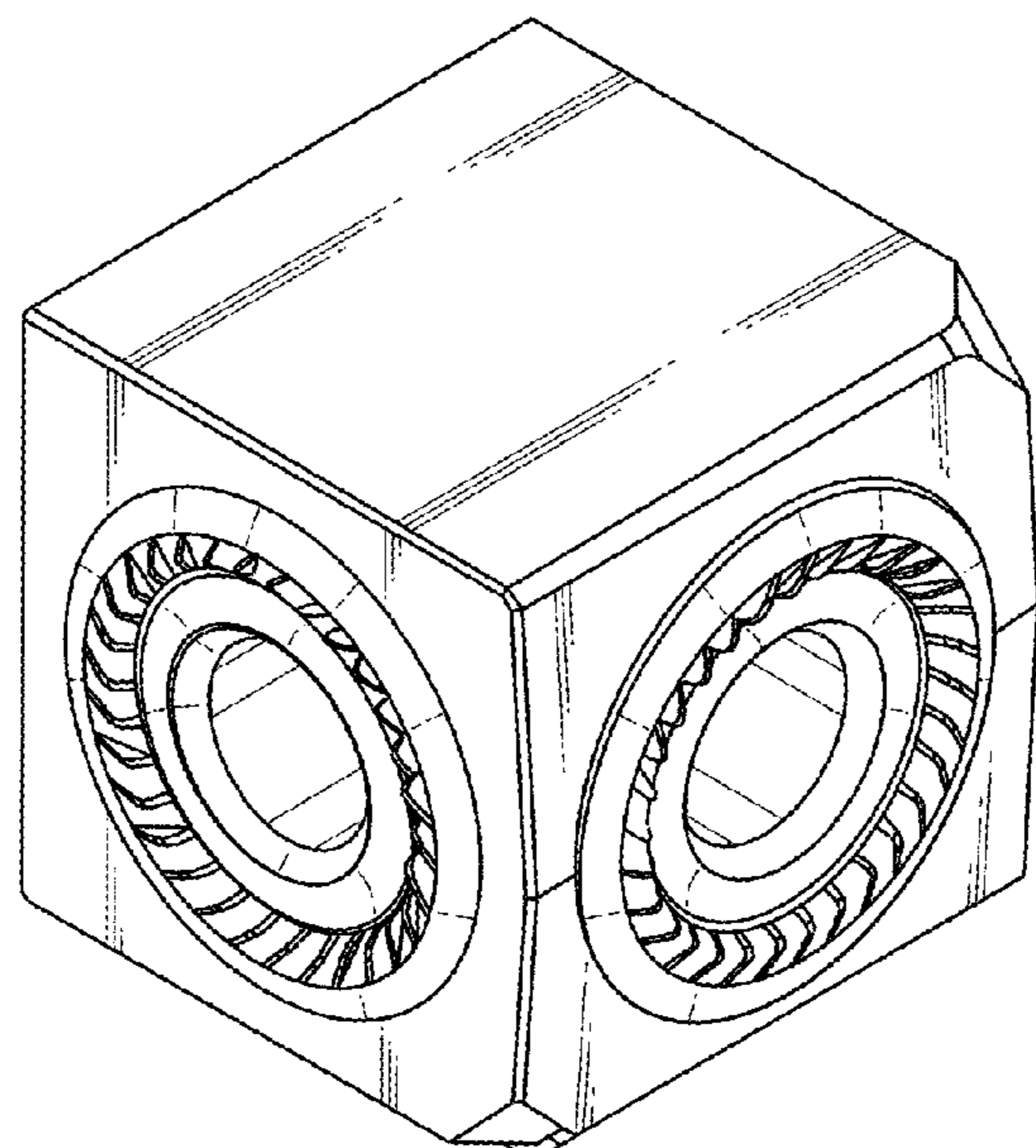
(57) **CLAIM**

The ornamental design for a cube speaker, as shown and described.

**DESCRIPTION**

FIG. 1 is a top, front and left side perspective view of a cube speaker, showing my new design;  
FIG. 2 is a top plan view thereof;  
FIG. 3 is a top, front and right side perspective view thereof;  
FIG. 4 is a left side elevational view thereof;  
FIG. 5 is a front elevational view thereof;  
FIG. 6 is a right side elevational view thereof; and,  
FIG. 7 is a top, back, and left side perspective view thereof.

**1 Claim, 4 Drawing Sheets**



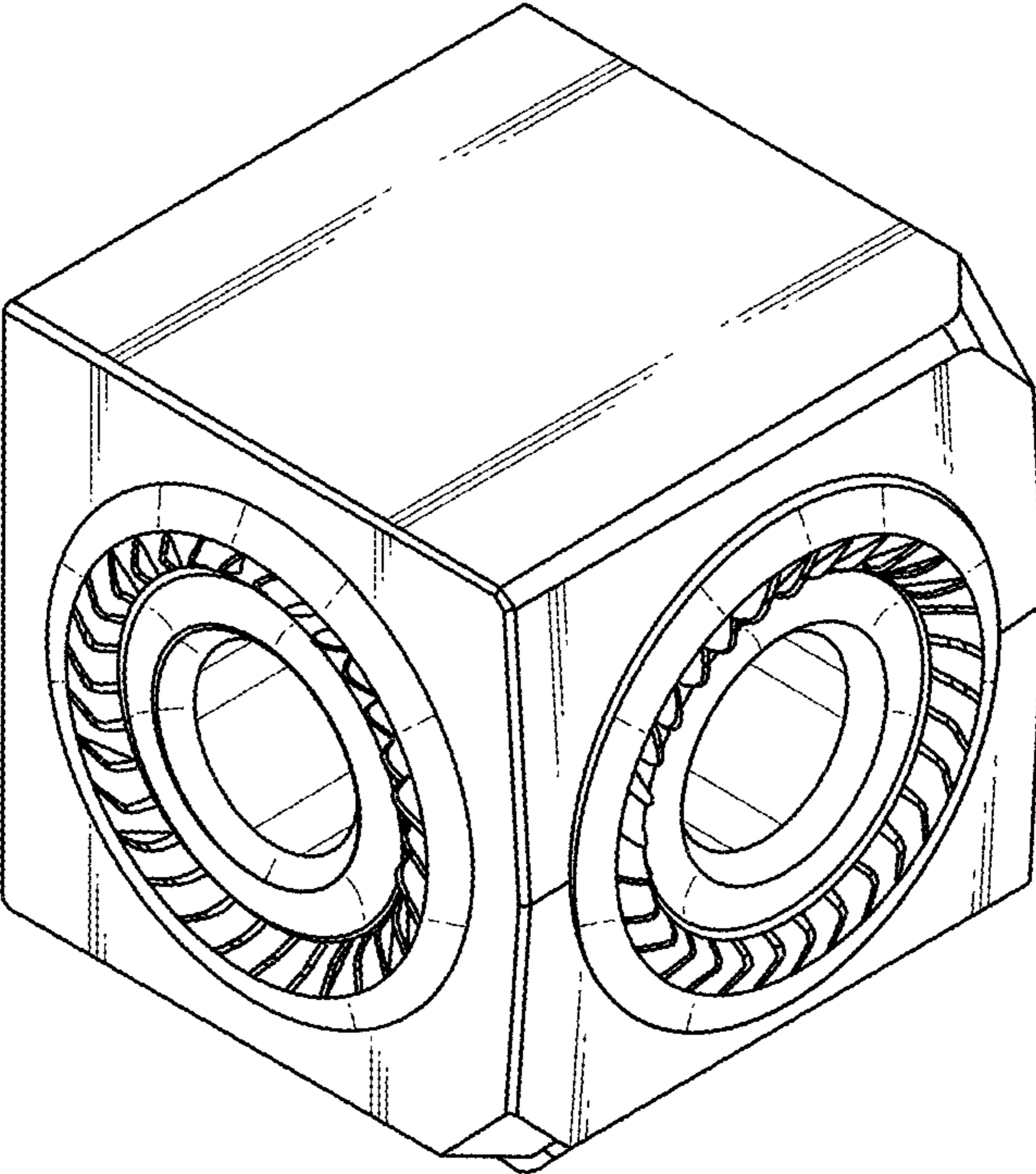


FIG. 1

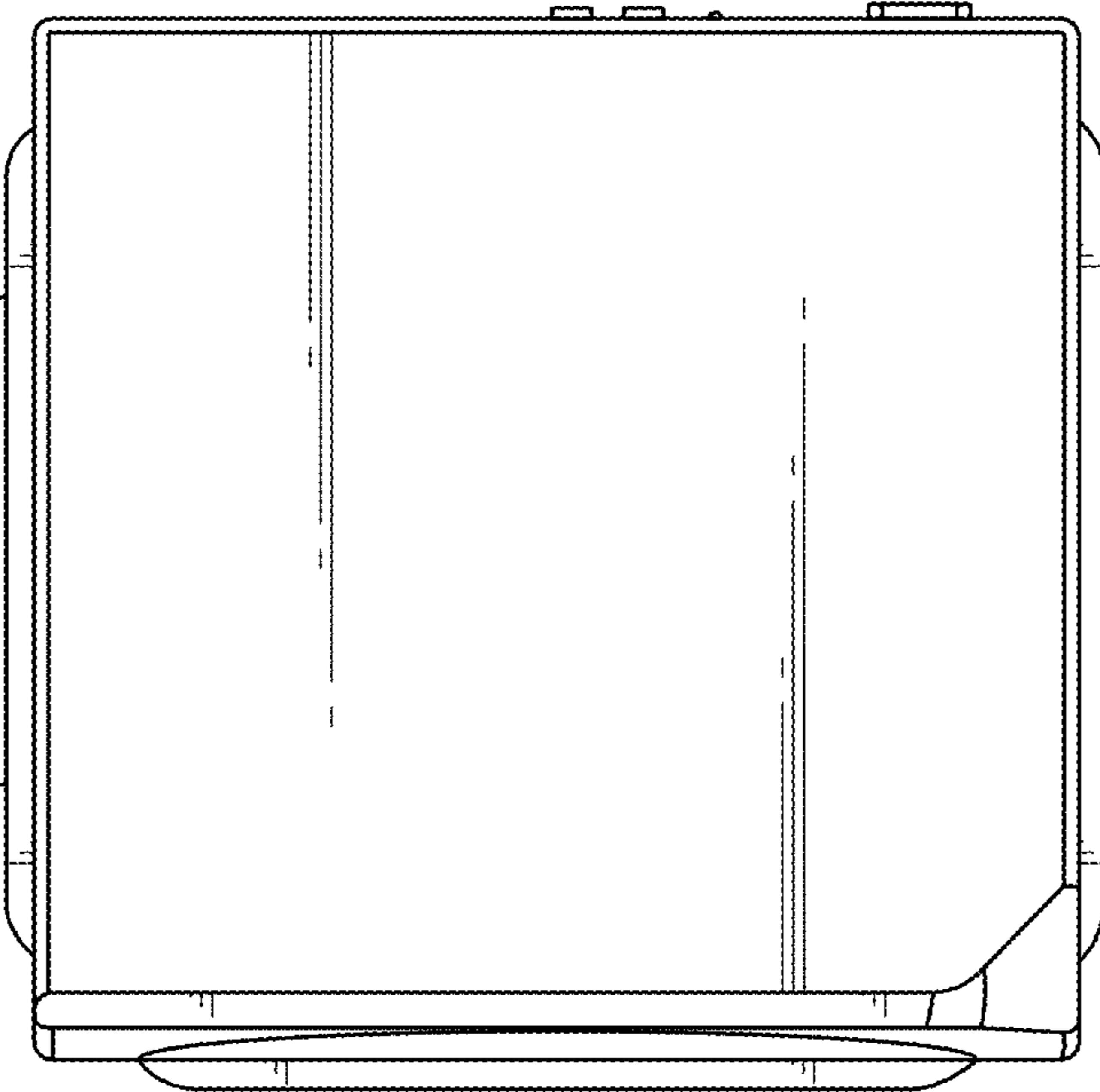


FIG. 2

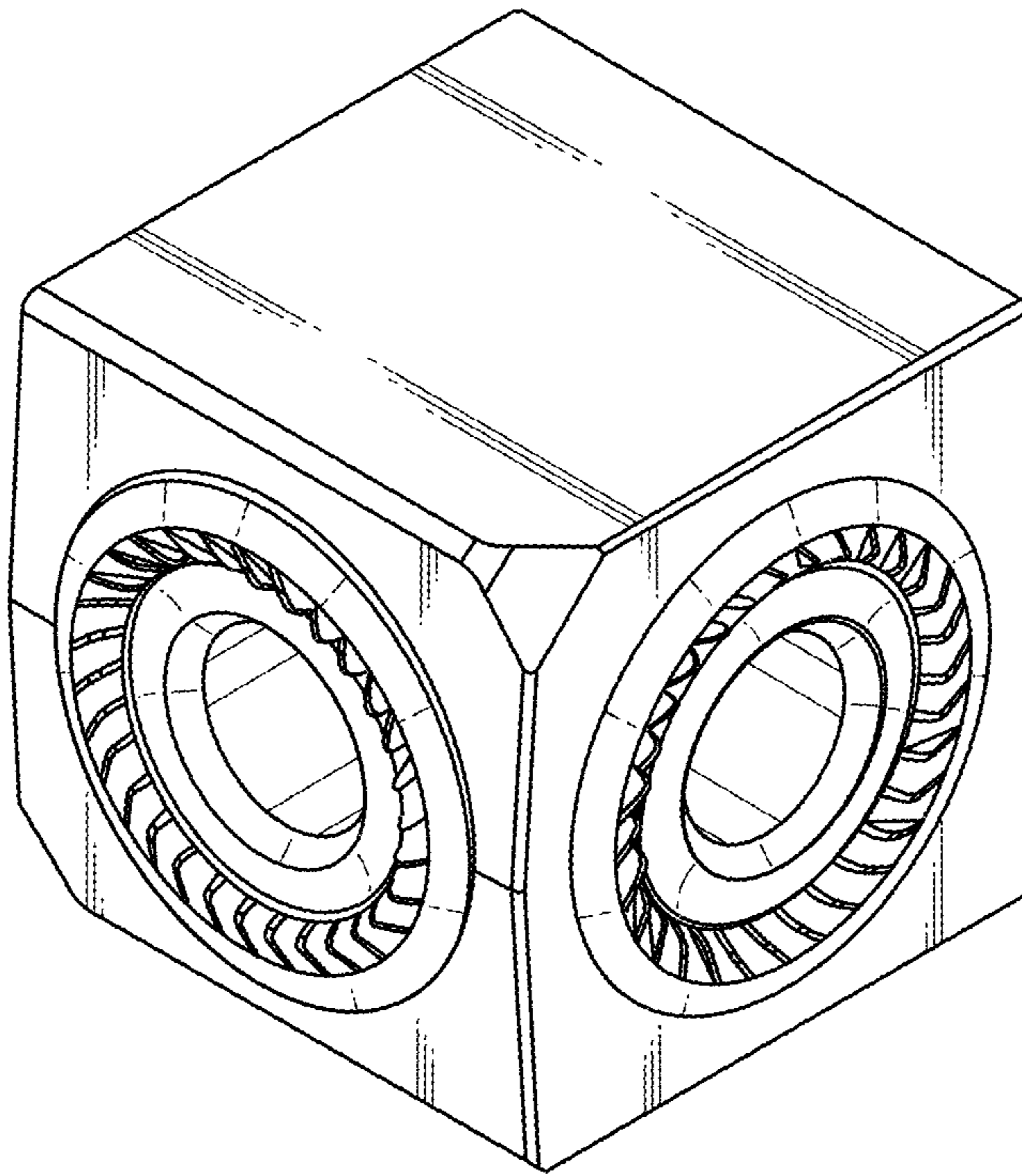


FIG. 3

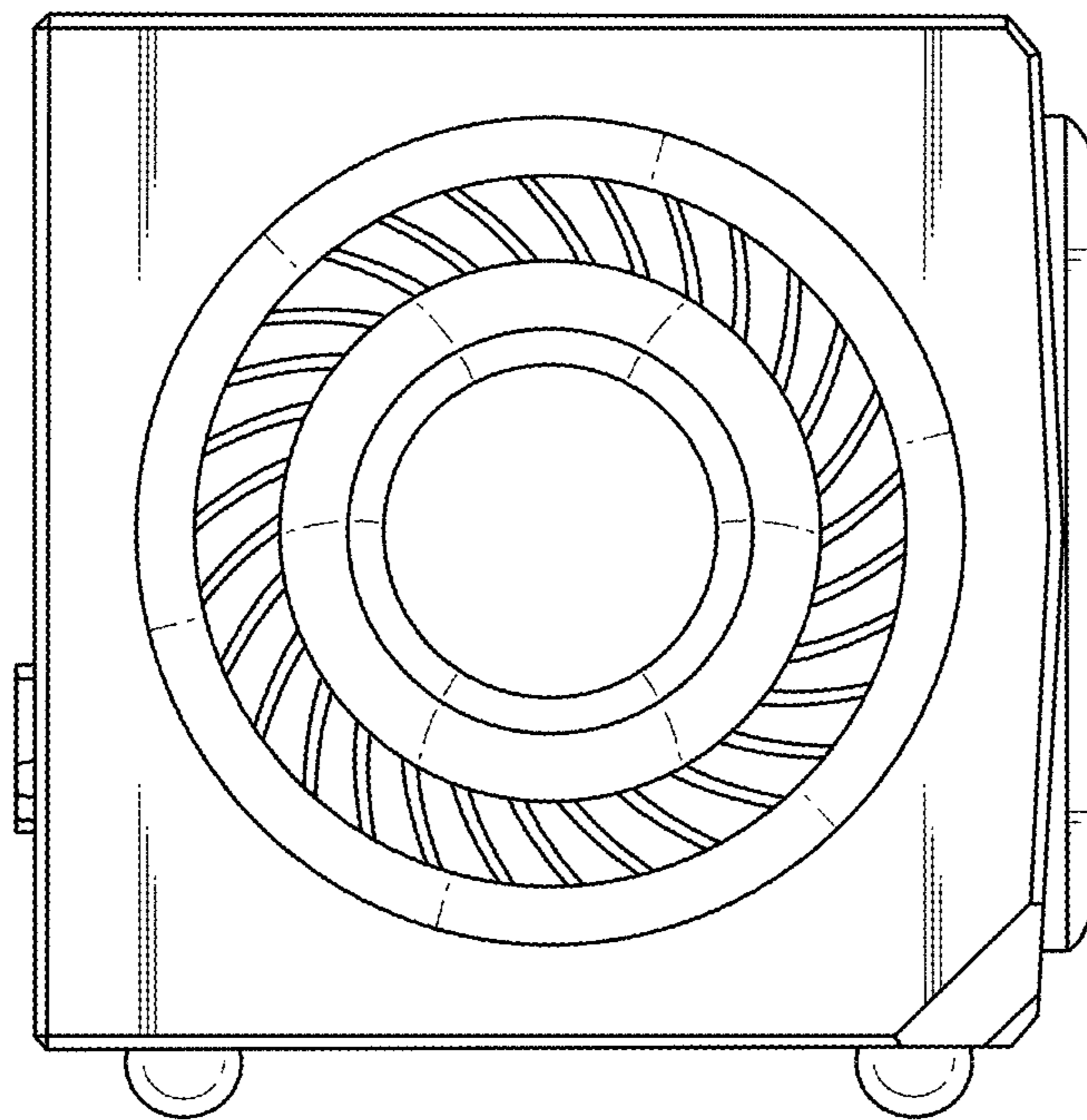


FIG. 4

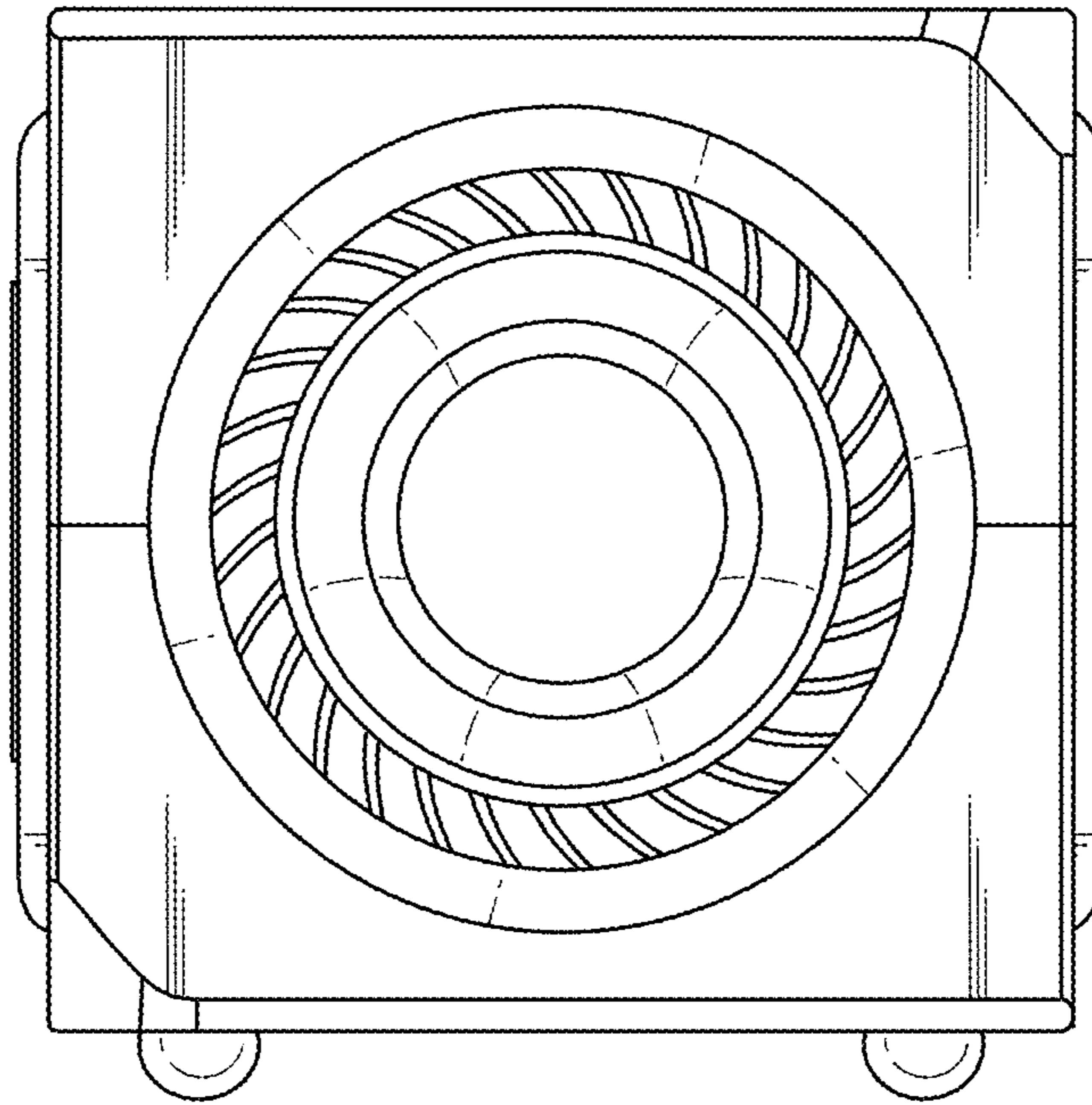


FIG. 5

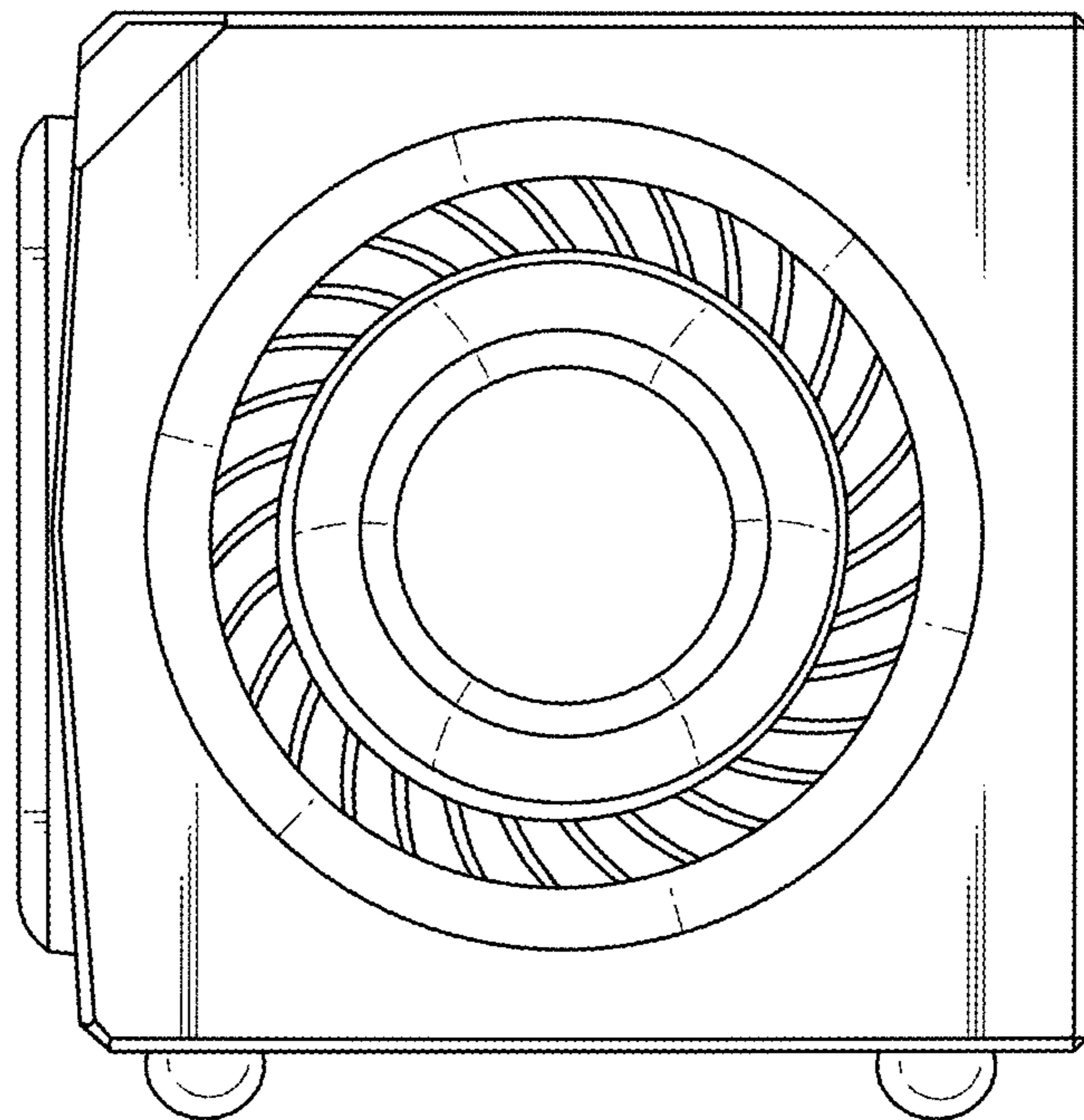


FIG. 6

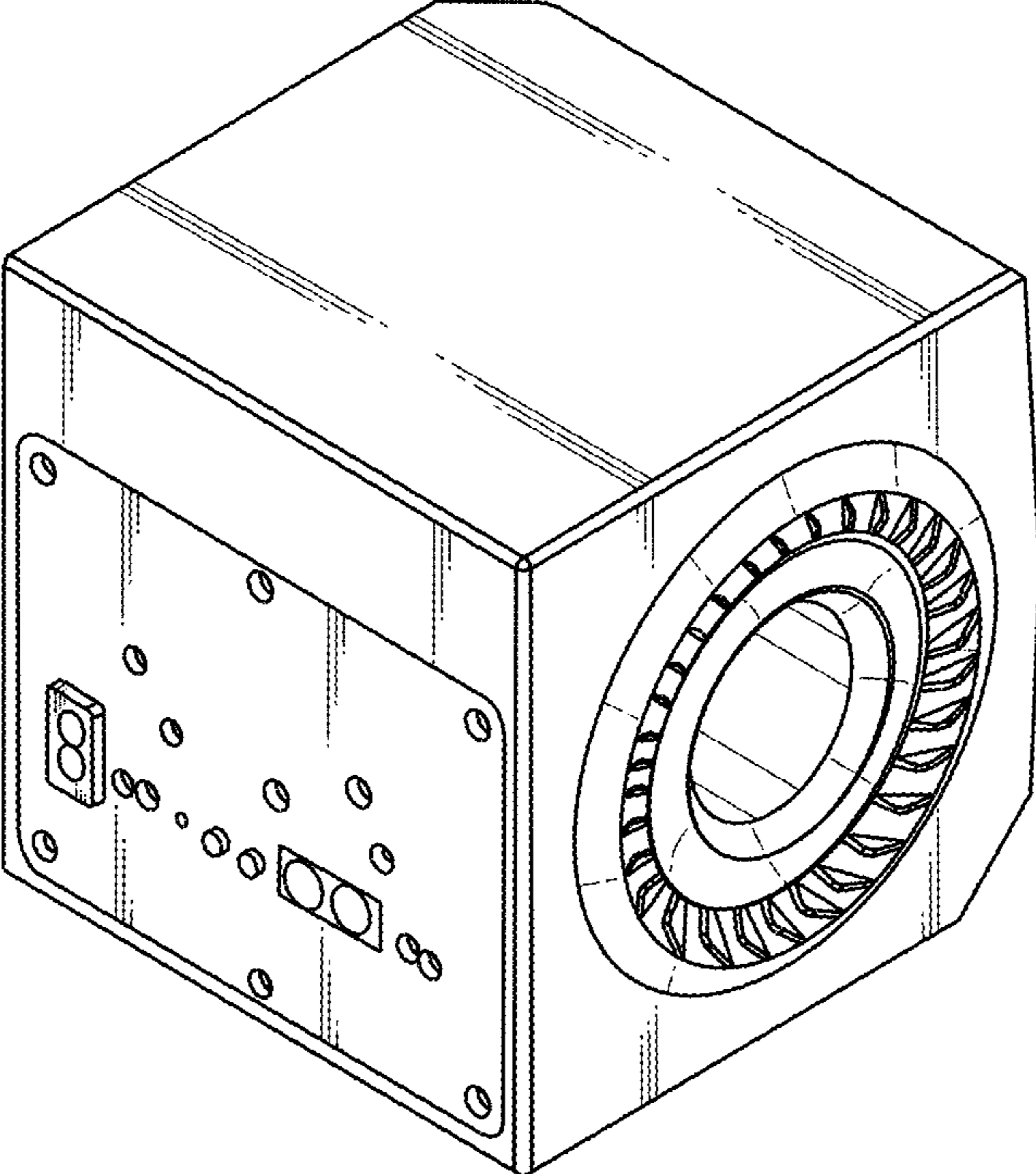


FIG. 7