



US00D951223S

(12) **United States Design Patent**  
**Zeng**

(10) **Patent No.:** **US D951,223 S**  
(45) **Date of Patent:** **\*\* May 10, 2022**

(54) **FM RADIO AND WIRELESS SPEAKER HOUSING**

D170,923 S \* 11/1953 Israel et al. .... D14/196  
D180,742 S \* 8/1957 Mason ..... D14/196  
D211,541 S \* 6/1968 Sprik ..... D14/196  
D253,412 S \* 11/1979 Takenaka ..... D14/196

(71) Applicant: **Shenzhen Airmart Technology Co., Ltd, Guangdong (CN)**

(Continued)

(72) Inventor: **Dejun Zeng, Guangdong (CN)**

**FOREIGN PATENT DOCUMENTS**

(73) Assignee: **Shenzhen Airmart Technology Co., Ltd, Shenzhen (CN)**

CN 305104025 \* 4/2019  
CN 305196120 \* 6/2019

(Continued)

(\*\*) Term: **15 Years**

**OTHER PUBLICATIONS**

(21) Appl. No.: **29/687,323**

JS Radiooo Portable FM Radio & Bluetooth Speaker External Photos Shenzhen Airmart Technology, posted on FCC ID.io, date available Jan. 18, 2022, [online], [site visited Mar. 3, 2022]. Internet URL: <https://fccid.io/2ALXL-JS/External-Photos/External-Photos-5641172> (Year: 2022).\*

(22) Filed: **Apr. 12, 2019**

(51) **LOC (13) Cl.** ..... **14-03**

(52) **U.S. Cl.**  
USPC ..... **D14/196; D14/198**

(Continued)

(58) **Field of Classification Search**  
USPC ..... D14/147, 148, 155, 159, 142, 225, 226, D14/191, 203.3, 203.7, 203.1, 203.5, 496, D14/188, 192, 194-198, 168, 172, 214, D14/219, 265; D10/104.1, 104.2, 106.1, D10/65  
CPC ..... H04B 1/08; H04B 1/086; H04B 1/3833; H04B 1/3827; H04B 2001/3861; H04M 1/233; G08B 21/0202; H04R 1/023  
See application file for complete search history.

*Primary Examiner* — Jeffrey D Asch

(57) **CLAIM**

The ornamental design for a FM radio and wireless speaker housing, as shown and described.

**DESCRIPTION**

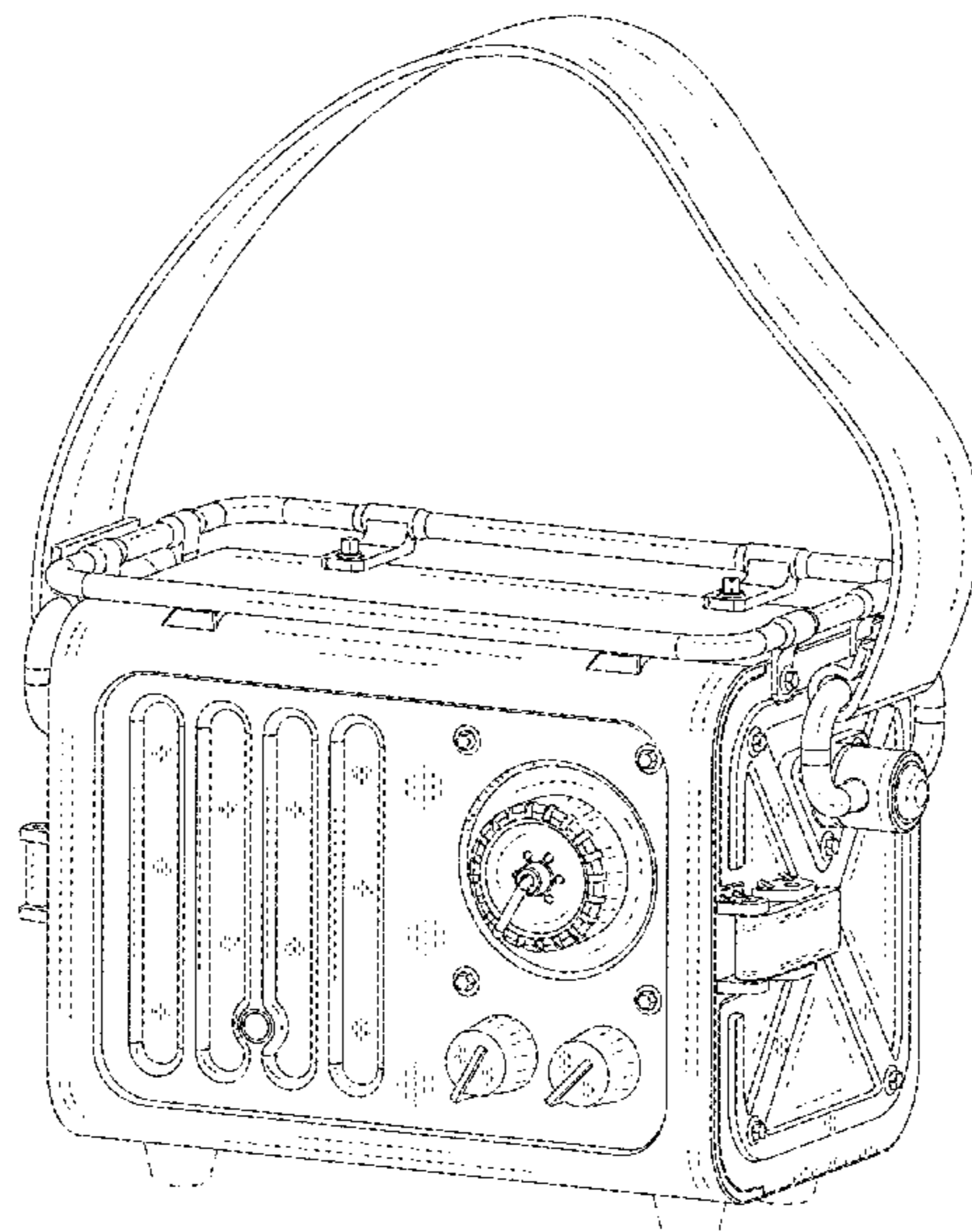
(56) **References Cited**

**U.S. PATENT DOCUMENTS**

2,108,729 A \* 2/1938 Snow ..... H04B 1/08  
455/350  
D109,250 S \* 4/1938 Walker ..... D14/198  
D109,635 S \* 5/1938 Christensen ..... D14/198  
2,122,329 A \* 6/1938 Schnell ..... H03J 1/041  
116/257  
D114,651 S \* 5/1939 Christensen ..... 312/7.1  
2,237,886 A \* 4/1941 McDonald, Jr. .... H04B 1/08  
343/866

FIG. 1 is a top, front and left side perspective view of a FM radio and wireless speaker housing showing my new design; FIG. 2 is a top, front and right side perspective view thereof; FIG. 3 is a top, rear and right side perspective view thereof; and, FIG. 4 is a top, rear and left side perspective view thereof. The broken lines in the drawings illustrate portions of the FM radio and wireless speaker housing which form no part of the claimed design.

**1 Claim, 4 Drawing Sheets**



(56)

**References Cited**

U.S. PATENT DOCUMENTS

7,640,045 B2 \* 12/2009 Troutman ..... H04B 1/3888  
455/575.8  
D658,628 S \* 5/2012 Hahner ..... D14/196  
D828,329 S \* 9/2018 Zeng ..... D14/197  
D845,267 S \* 4/2019 Zeng ..... D14/194  
D851,056 S \* 6/2019 Zeng ..... D14/188  
D870,702 S \* 12/2019 Xiao ..... D14/214  
D884,665 S \* 5/2020 Zeng ..... D14/193  
D888,013 S \* 6/2020 Yu ..... D14/214  
D889,433 S \* 7/2020 Yu ..... D14/214  
D894,870 S \* 9/2020 Wong ..... D14/214  
D903,628 S \* 12/2020 Zeng ..... D14/196  
D912,008 S \* 3/2021 Zeng ..... D14/197  
2005/0225288 A1 \* 10/2005 Cole ..... H01M 50/20  
320/114

FOREIGN PATENT DOCUMENTS

CN 305347679 \* 9/2019  
EM 004045151-0001 \* 6/2017

OTHER PUBLICATIONS

Muzen Building Block Series WD101GN Fm Radio . . . , posted on aliexpress.com, date available Sep. 10, 2021, [online], [site visited Mar. 3, 2022]. Internet URL: <https://www.aliexpress.com/item/1005003089985677.html> (Year: 2021).\*

\* cited by examiner

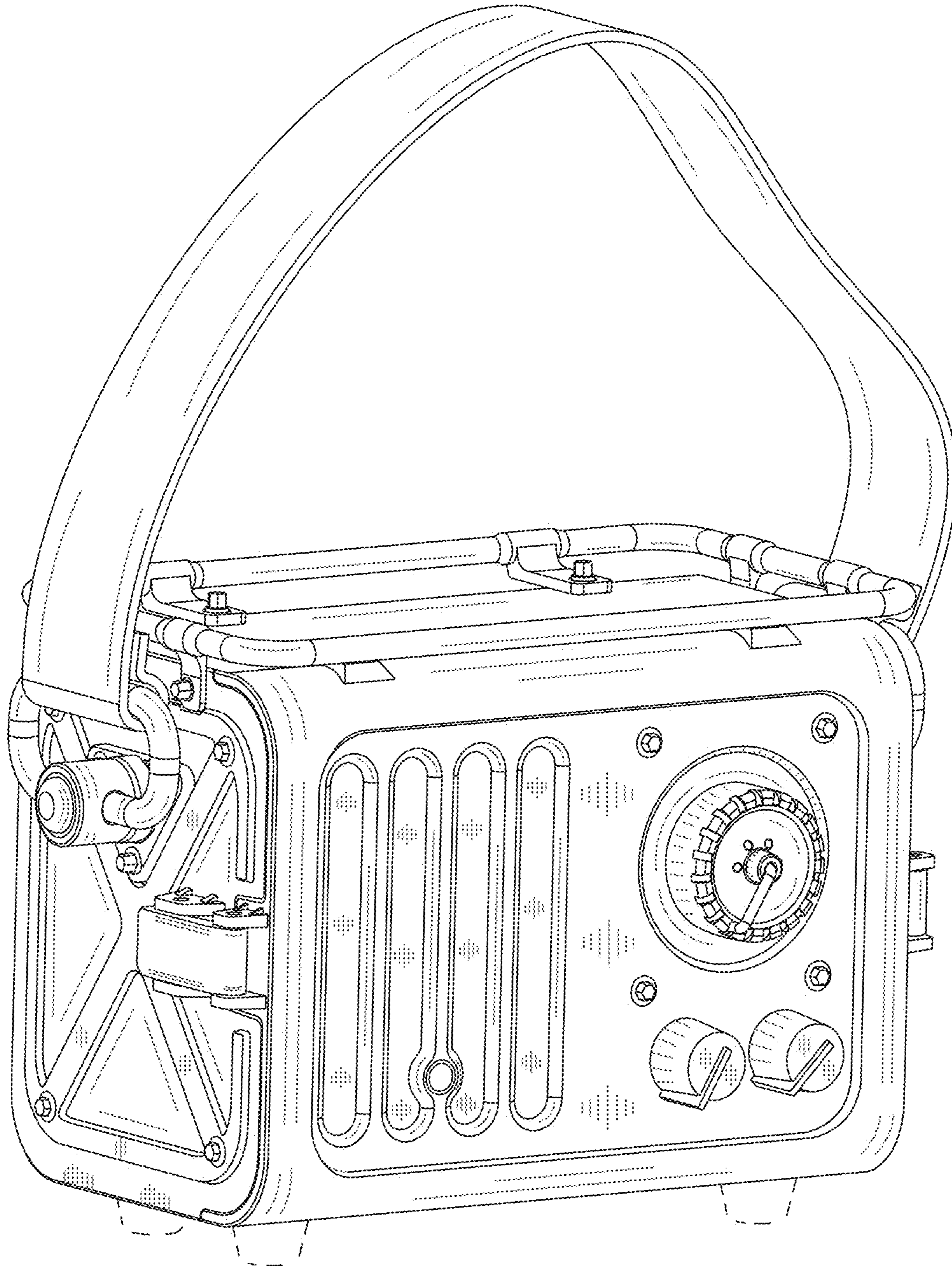


Fig.1



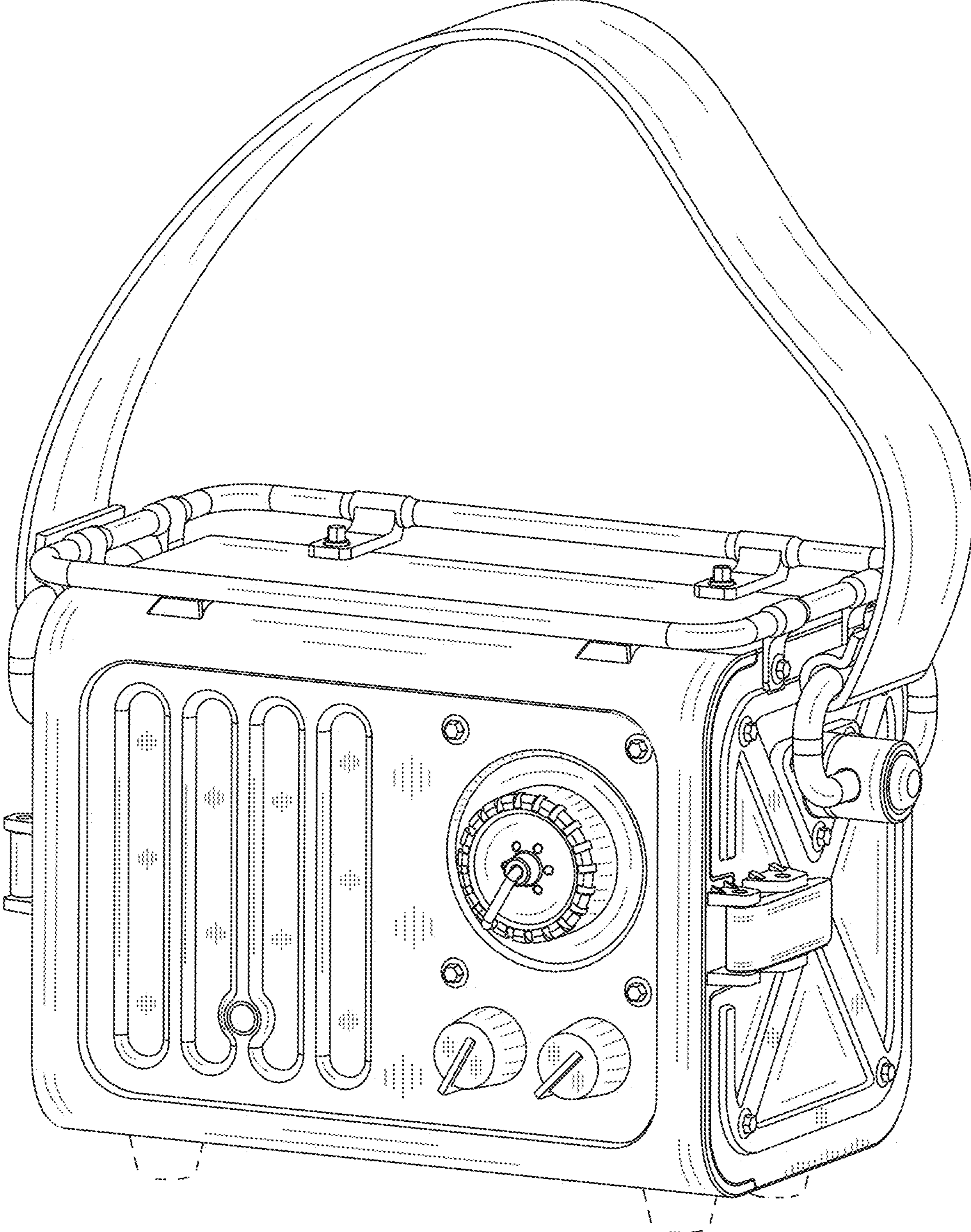


Fig.2

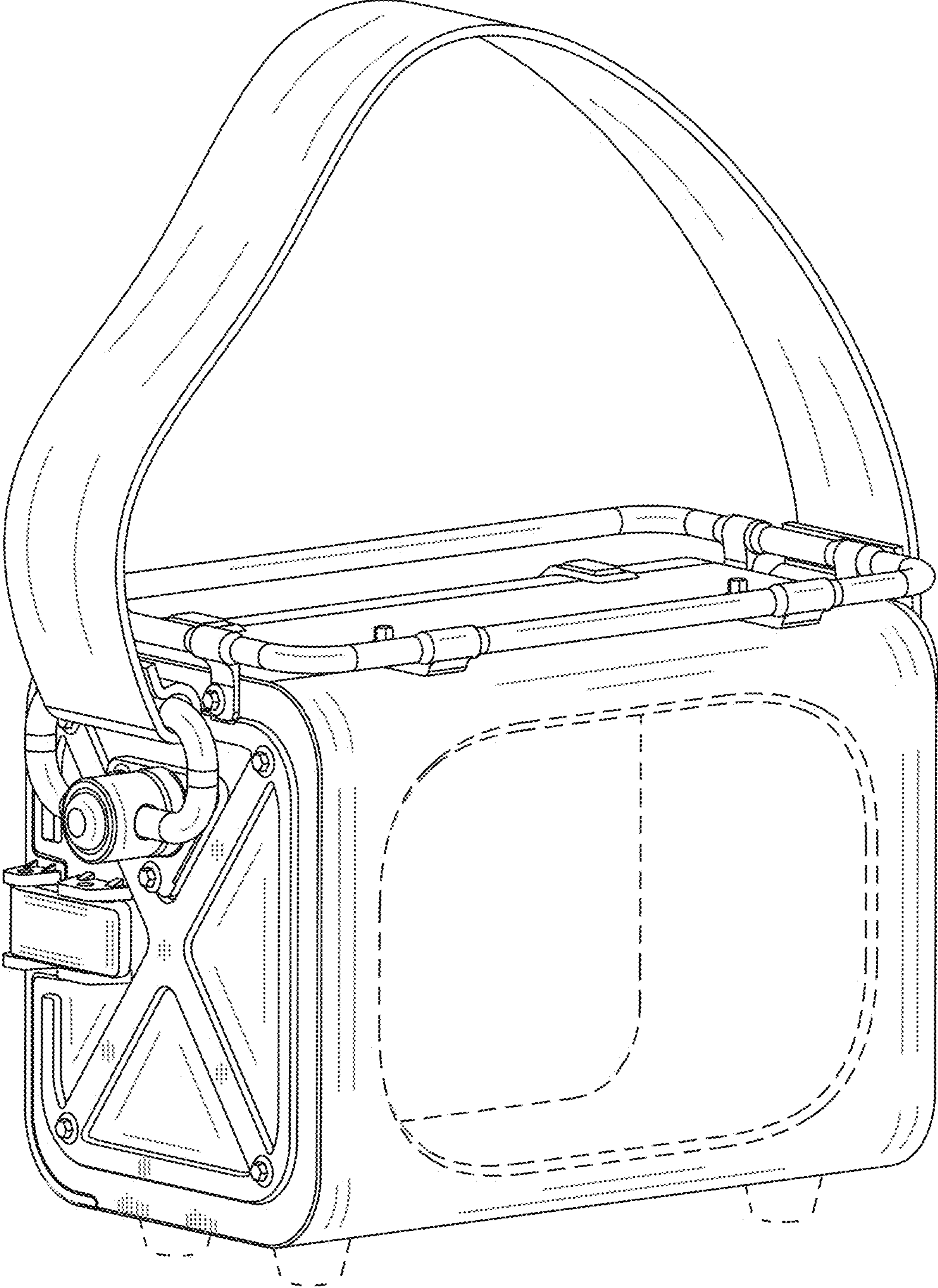


Fig.3

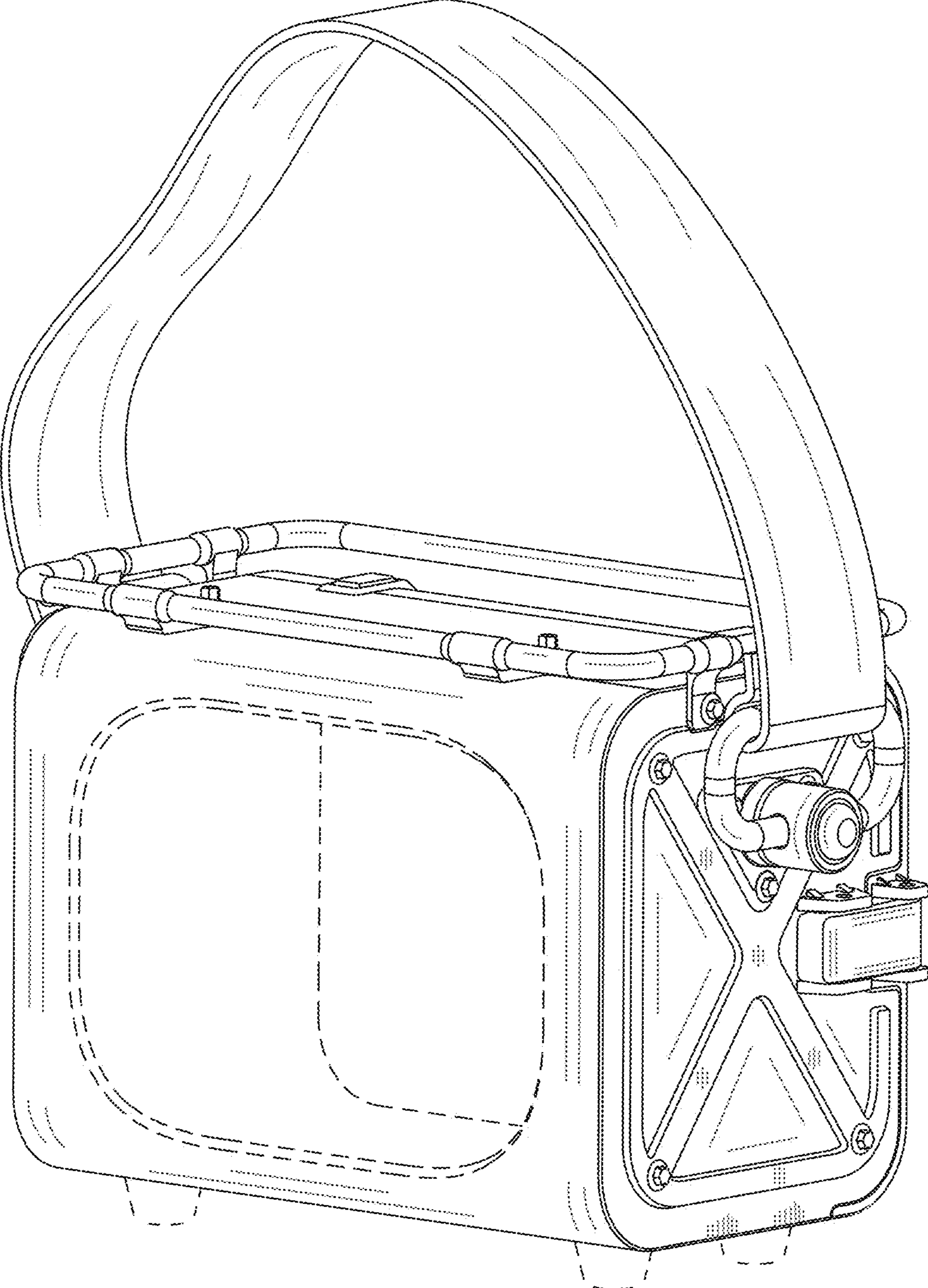


Fig.4