



US00D951222S

(12) **United States Design Patent**
Su et al.

(10) **Patent No.:** **US D951,222 S**

(45) **Date of Patent:** **** May 10, 2022**

(54) **CONFERENCING DEVICE**

(71) Applicant: **Logitech Europe S.A.**, Lausanne (CH)

(72) Inventors: **Chun-Wei Su**, Hsinchu (TW); **Yuzheng Lu**, Shanghai (CN); **Shelly Chen**, Shanghai (CN); **Richard Hu**, Shanghai (CN); **Ku Chieh**, Shanghai (CN)

(73) Assignee: **Logitech Europe S.A.**, Lausanne (CH)

(**) Term: **15 Years**

(21) Appl. No.: **29/733,094**

(22) Filed: **Apr. 29, 2020**

(51) **LOC (13) Cl.** **14-03**

(52) **U.S. Cl.**
USPC **D14/140.11**; D14/130

(58) **Field of Classification Search**
USPC D14/432-343, 357, 344, 140, 496, 401, D14/435, 474, 483, 209.1, 137, 138, D14/158-160, 356, 203.1-203.8, 507, D14/155, 160-172, 212-218, 257, 258, D14/341, 346, 299, 266, 358, 454-445, D14/192, 221, 127-130, 211, 240, 243, D14/247-249, 251, 329, 455, 206, 204, D14/188, 147-151, 144, 142, 141.1, D14/138 R, 138 AA, 138 AB, 138 G, D14/138 AD; D3/215, 218, 904; D21/517, 333, 331, 566; D24/165, 185, D24/186; D18/1, 7; D10/104, 104.1, D10/106, 65, 78, 104.2, 70, 31-32, D10/38-38, 106.1, 106.3, 106.5; D13/168; D11/3-5, 12, 19, 25; D30/151-152
CPC H04M 1/00; H04M 1/026; H04M 1/04; H04M 1/6033; H04M 1/6041; H04M 3/02; H04M 3/005; H04M 3/56; H04M 3/564; H04M 3/568; H04M 9/02; H04M 9/022;

(Continued)

(56) **References Cited**

U.S. PATENT DOCUMENTS

D434,747 S * 12/2000 Bird D14/150
D557,248 S * 12/2007 Wada D14/150

(Continued)

OTHER PUBLICATIONS

Grandstream Bundle of 2 Networks GAC2500 Android Enterprise Conference Phone, first available Aug. 24, 2016, amazon.com, [online], [site visited Jul. 23, 2021], Available from internet URL: <https://www.amazon.com/Grandstream-Networks-GAC2500-Enterprise-Conference/dp/B01KXXNOFG> (Year: 2016).*

(Continued)

Primary Examiner — Samantha Q Lawrence

Assistant Examiner — Holly M Rodriguez

(74) *Attorney, Agent, or Firm* — Kilpatrick Townsend & Stockton LLP

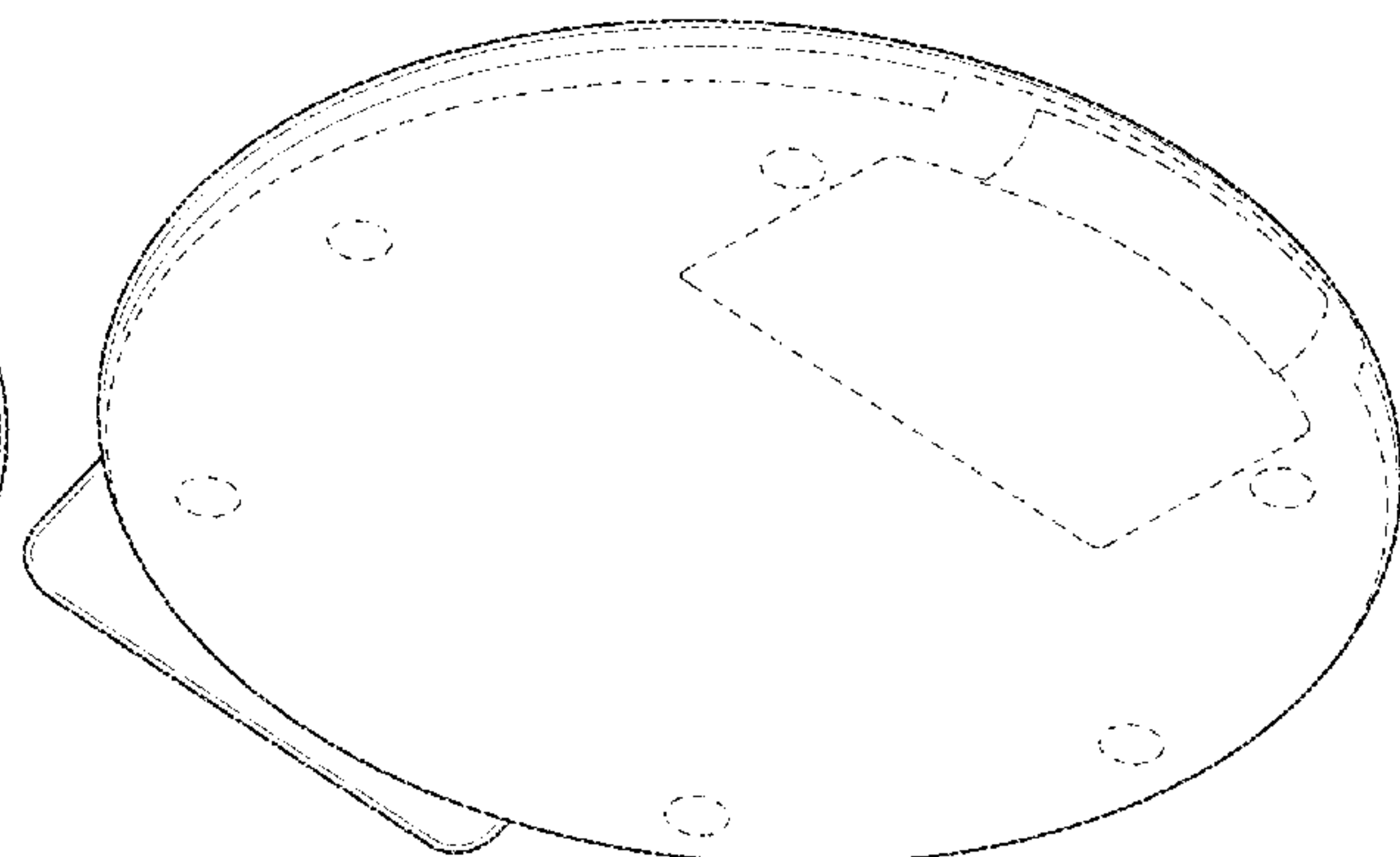
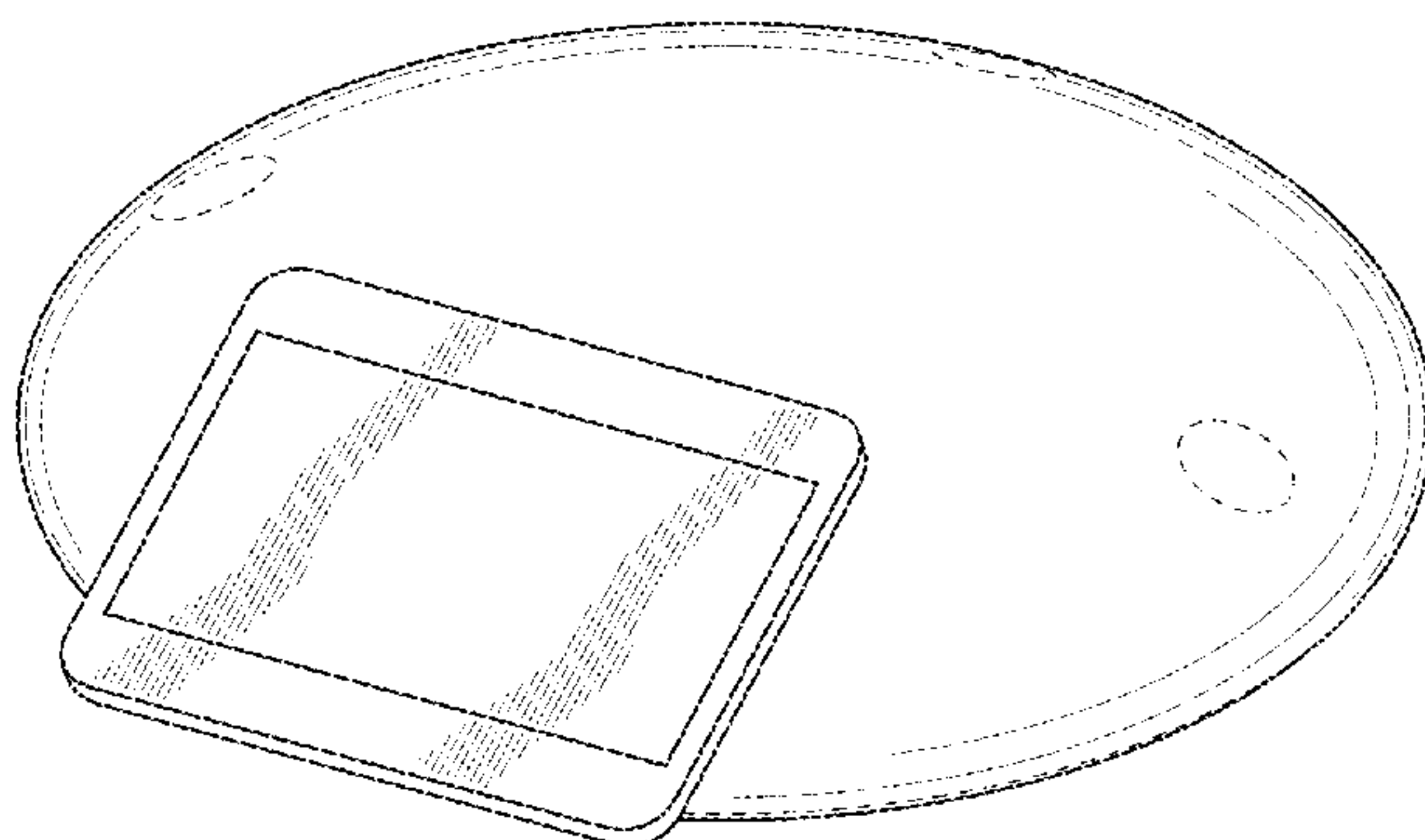
(57) **CLAIM**

The ornamental design for a conferencing device, as shown and described.

DESCRIPTION

FIG. 1 is a top, front side perspective view of a conferencing device showing our new design;
FIG. 2 is a top, back side perspective view thereof;
FIG. 3 is a bottom perspective view thereof;
FIG. 4 is a top plan view thereof;
FIG. 5 is a bottom plan view thereof;
FIG. 6 is a front elevation view thereof;
FIG. 7 is a rear elevation view thereof;
FIG. 8 is a left side elevation view thereof; and,
FIG. 9 is a right side elevation view thereof.
The broken lines immediately adjacent to the shaded/contoured areas illustrate the bounds of the claim and form no part of the claimed design.

1 Claim, 5 Drawing Sheets



(58) Field of Classification Search

CPC H04M 9/08; H04M 1/003; H04M 1/02;
 H04M 1/03; H04M 1/0202; H04M
 1/0295; H04M 1/0297; H04M 1/20;
 H04M 1/21; H04M 1/22; H04M 1/23;
 H04M 1/233; H04M 1/236; H04M
 1/0289; H04M 1/0214; H04M 1/253;
 H04M 1/2535; H04M 7/006; H04R 1/00;
 H04R 1/02; H04R 1/403; H04R 1/406;
 H04N 7/14; H04N 7/142; H04N 7/147;
 A63H 33/30; A63H 33/3016; A63H
 600/508; A63H 368/13; A63H 368/10;
 A63H 710/303; A63H 455/557; A63H
 455/344-351; A63H 224/164; A63H
 224/165; A63H 224/175; A63H 224/178;
 A63H 224/218-221; A63H 368/03; A63H
 368/09; A63H 368/278; A63H
 368/281-285; A63H 379/434-436; A63H
 379/44; A63H 379/446-447; A63H
 379/454-455; A63H 463/01; A63H
 463/29-35; A63H 463/46; A63H 463/47;
 A63H 369/01

See application file for complete search history.

(56)

References Cited

U.S. PATENT DOCUMENTS

D566,682	S *	4/2008	Marash	D14/149
D612,832	S *	3/2010	Li	D14/150
8,290,142	B1 *	10/2012	Lambert	H04M 9/082 379/406.04
D677,646	S *	3/2013	Kellar	D14/149
D678,237	S *	3/2013	Bourne	D14/142
D685,755	S *	7/2013	Shin	D14/142
D711,345	S *	8/2014	Liu	D14/140
D811,360	S *	2/2018	Kester	D14/138 R
D864,171	S *	10/2019	Shultz	D14/227
D902,880	S *	11/2020	Florczak	D14/149
D913,260	S *	3/2021	Fahrendorff	D14/149

OTHER PUBLICATIONS

Dolby Conference Phone, [videoconferencingsupply.com](https://www.videoconferencingsupply.com), [online], [site visited Jul. 23, 2021], Available from internet URL: <https://www.videoconferencingsupply.com/dolby-conference-phone/> (Year: 2021).*

* cited by examiner

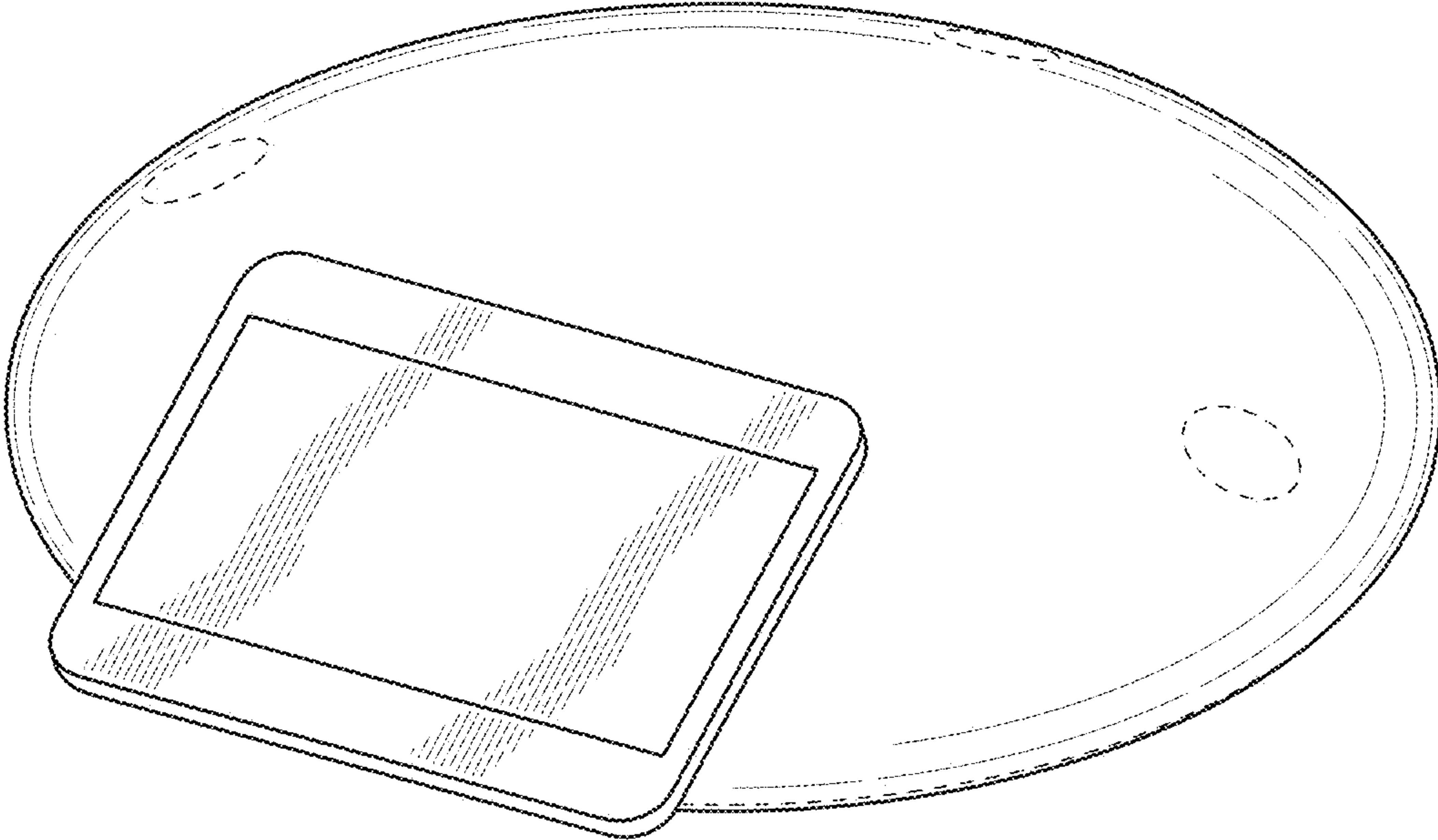


FIG. 1

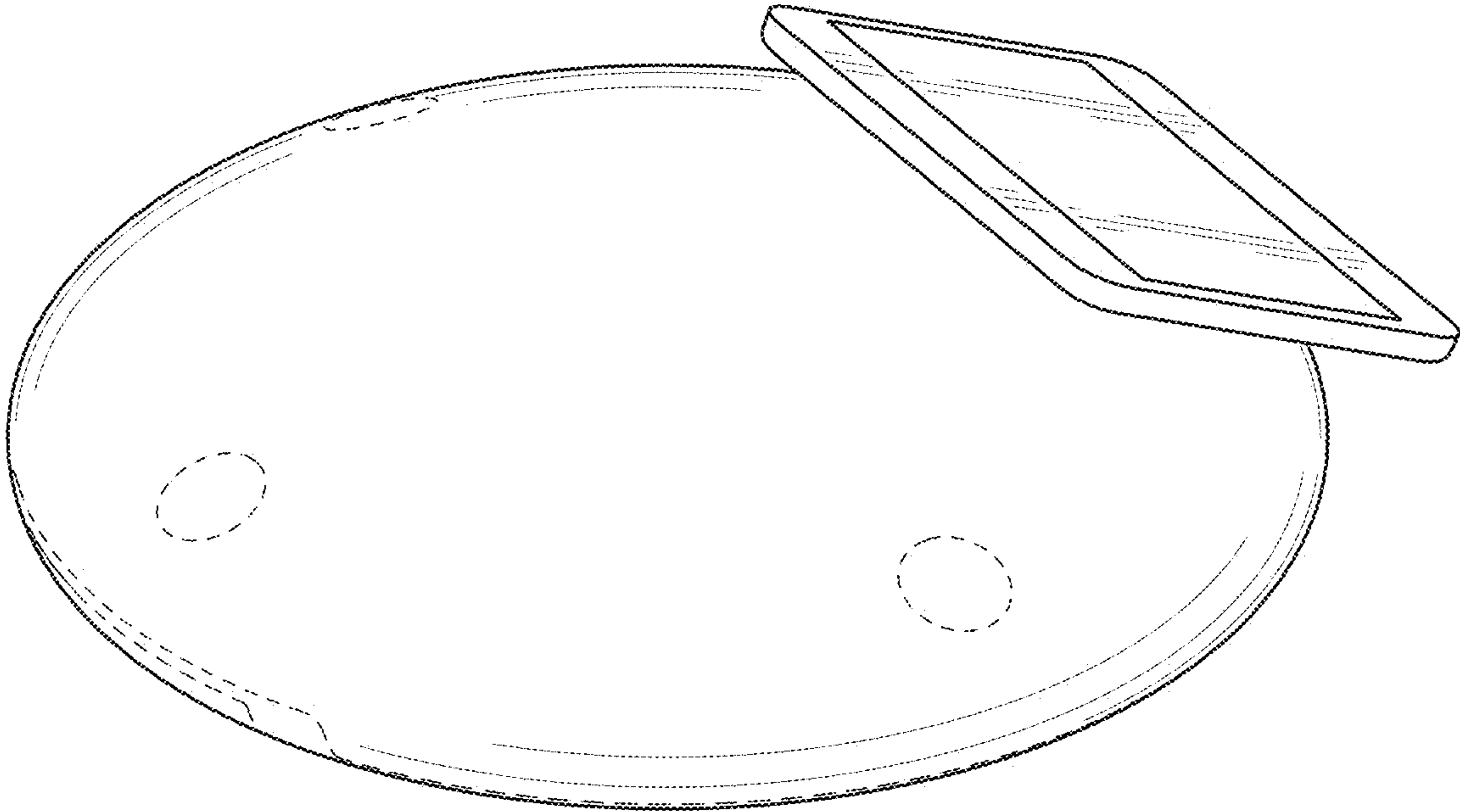


FIG. 2

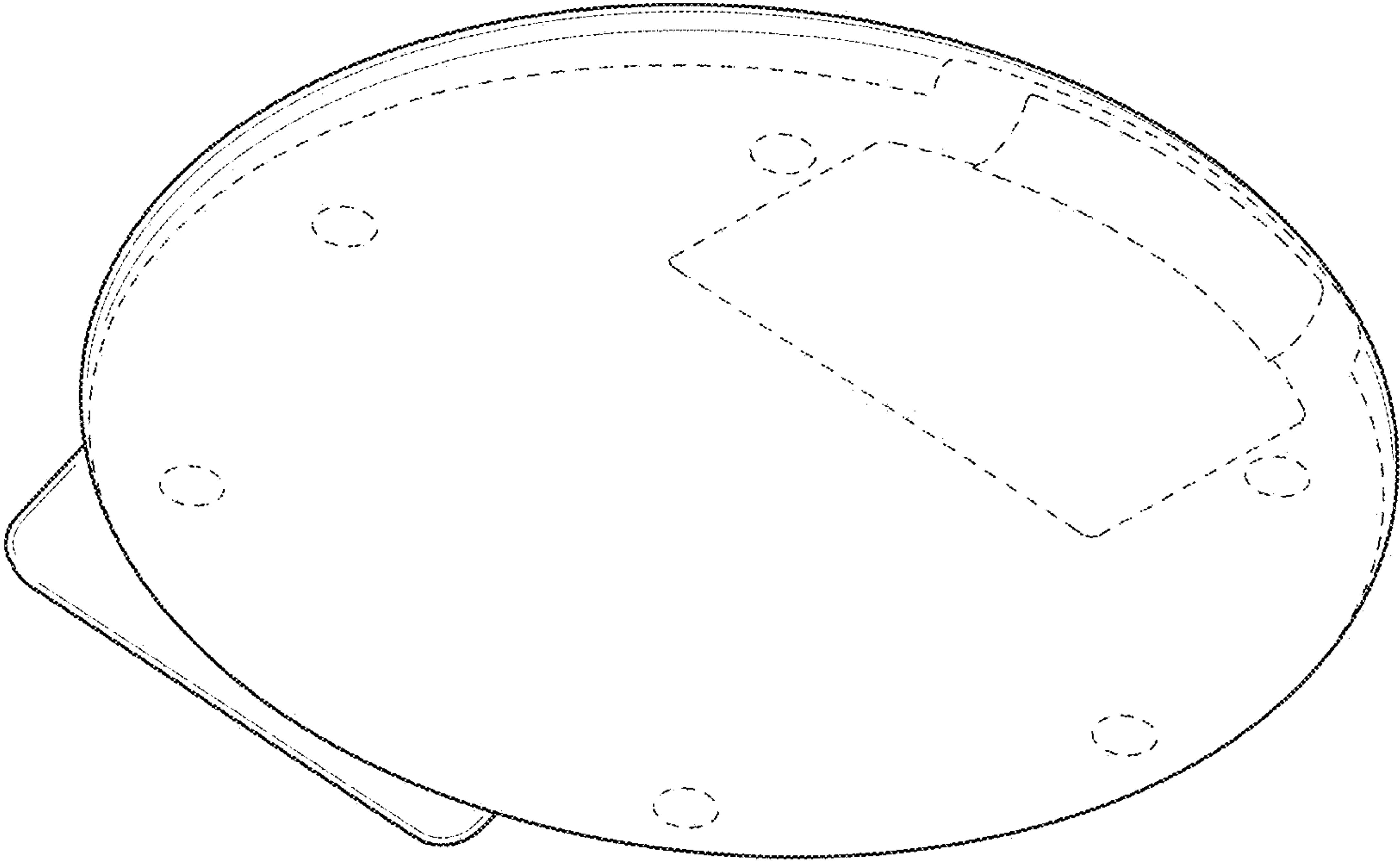


FIG. 3

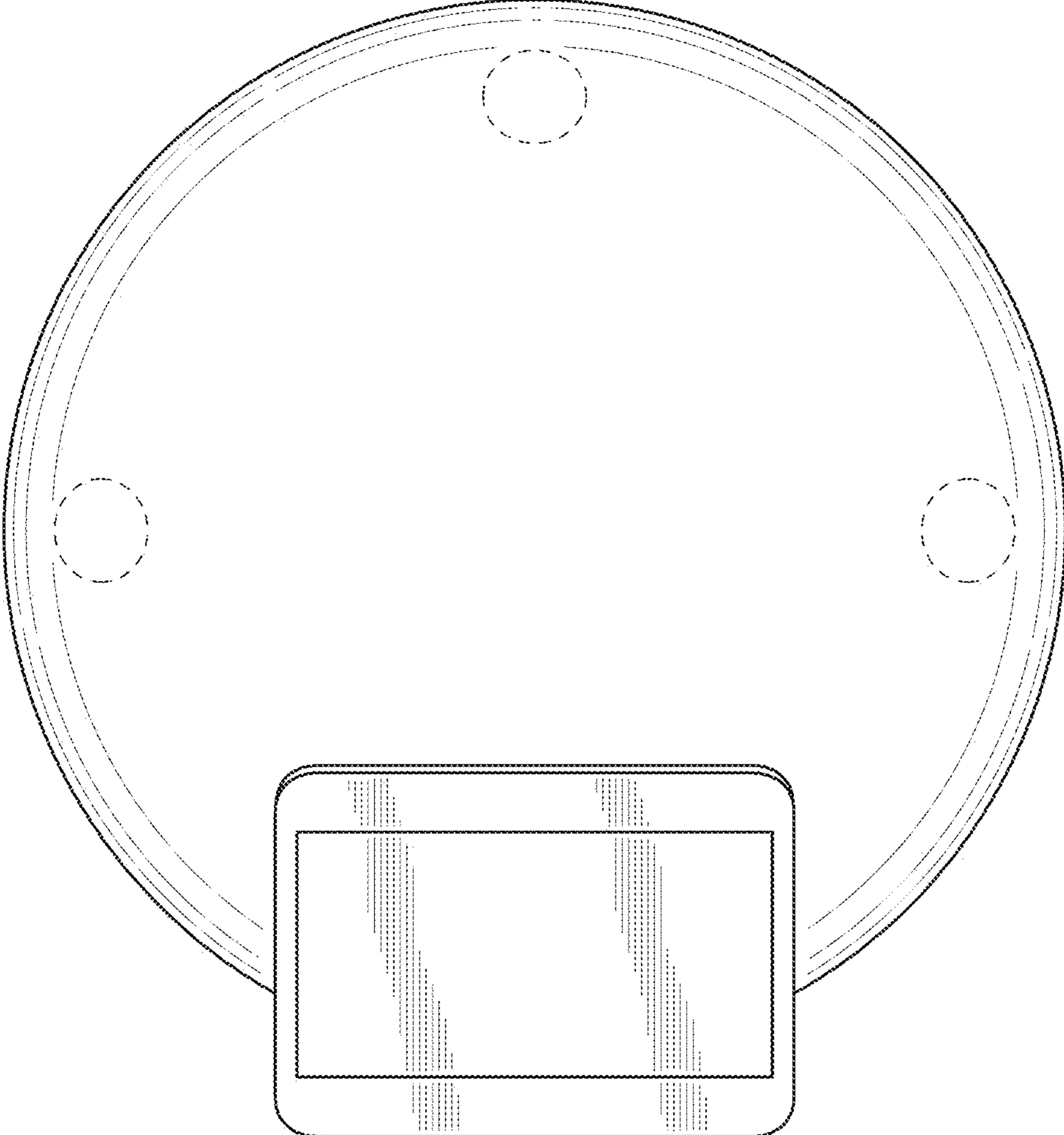


FIG. 4

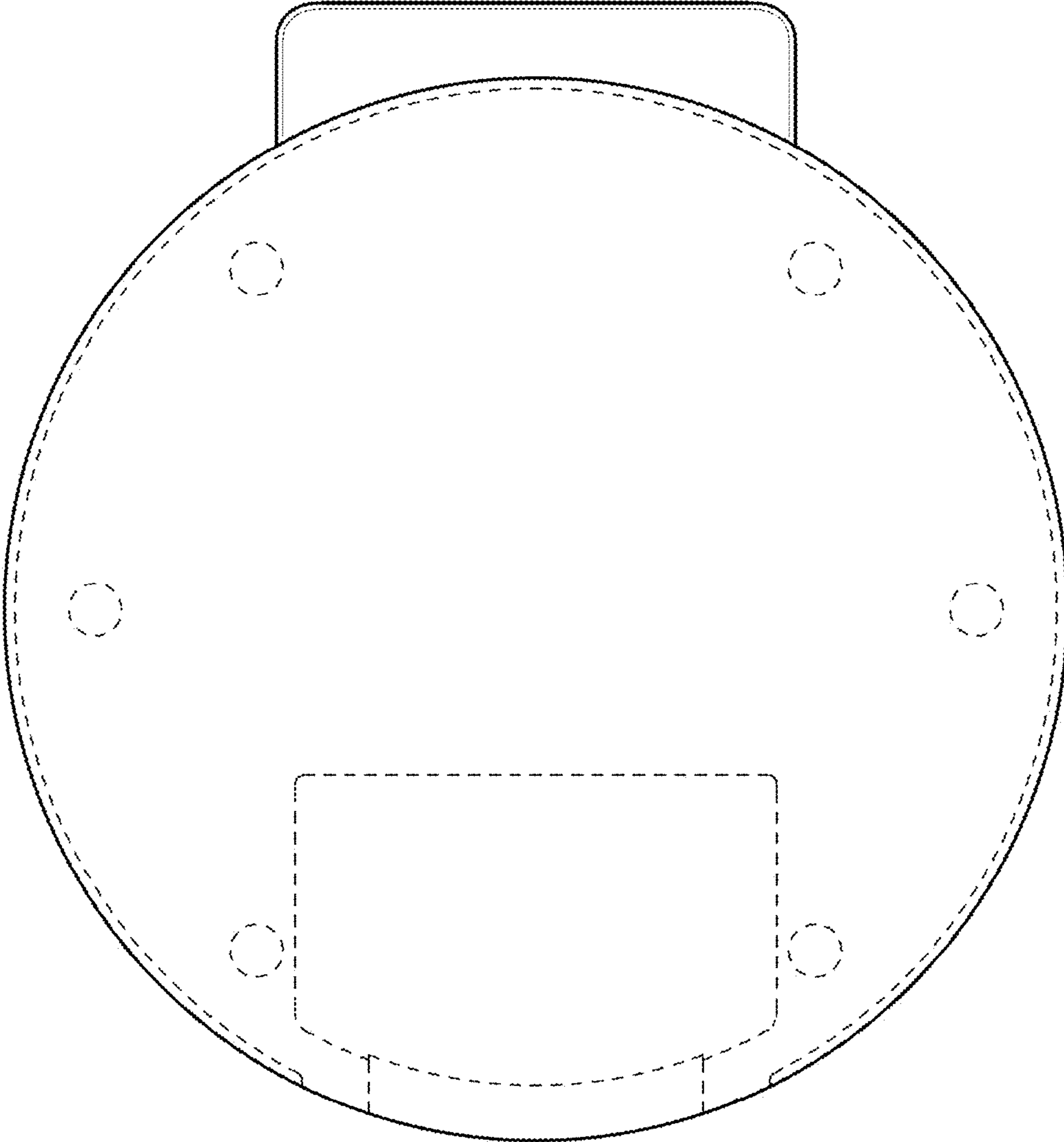


FIG. 5

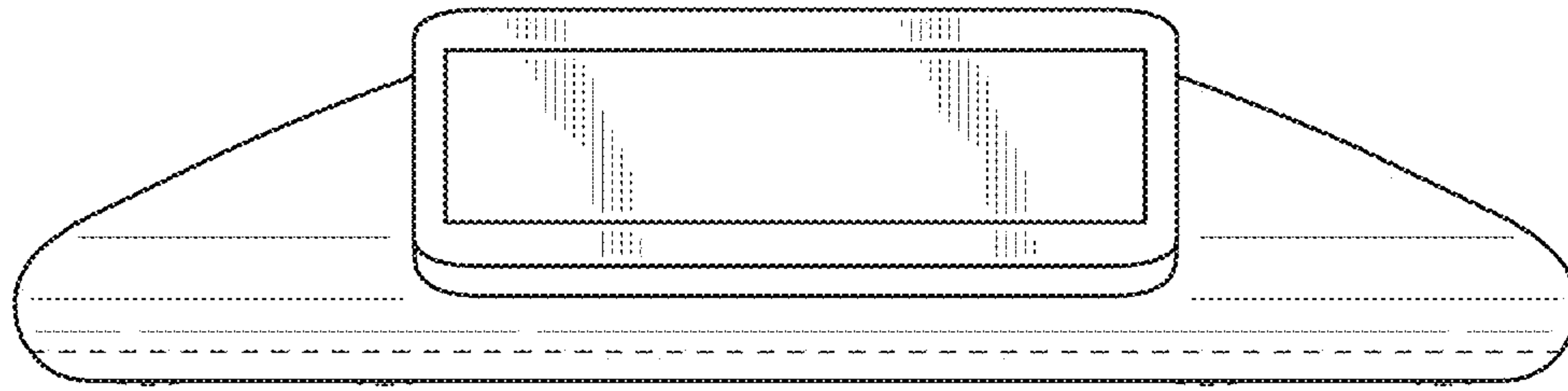


FIG. 6

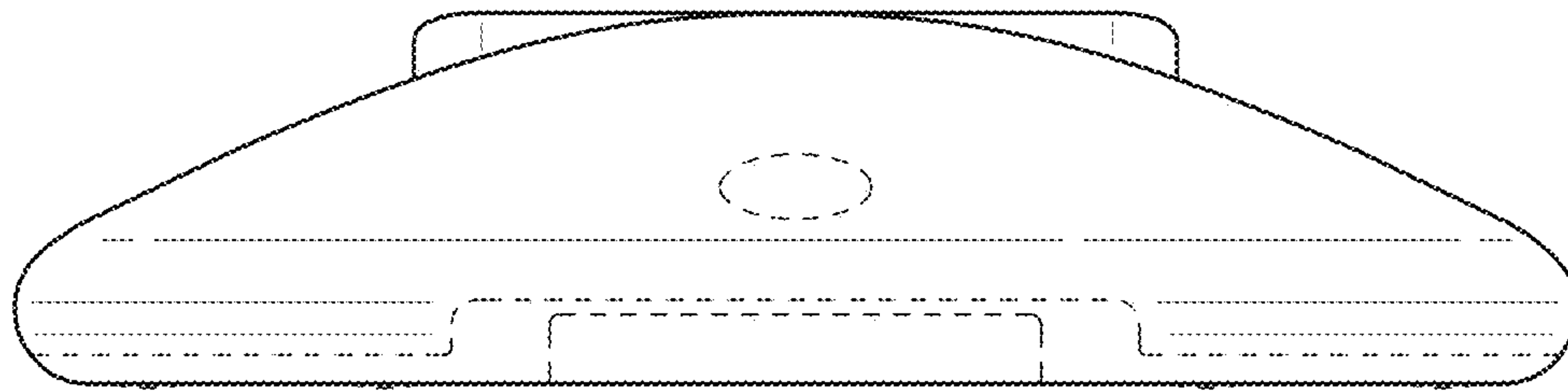


FIG. 7

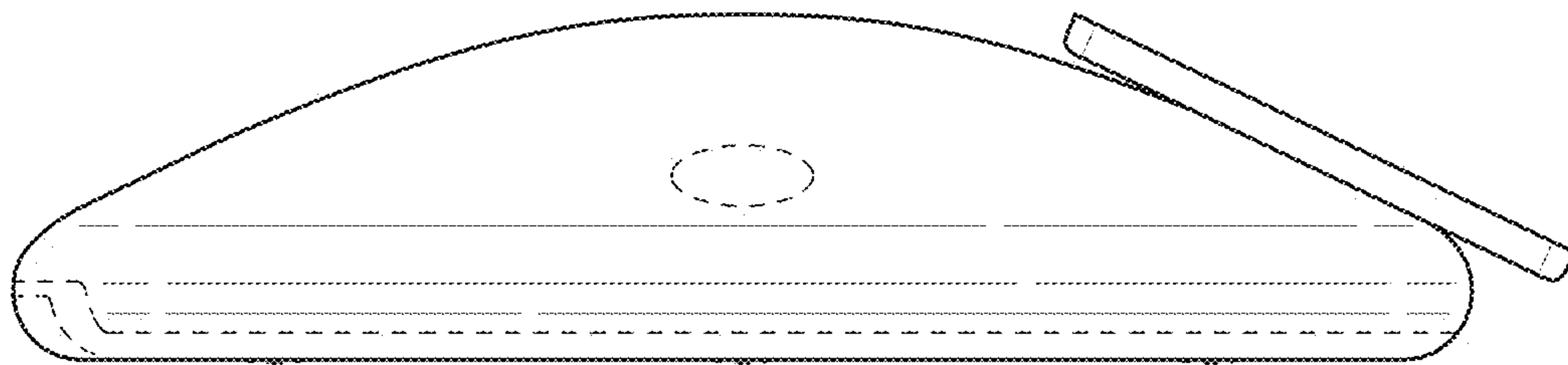


FIG. 8

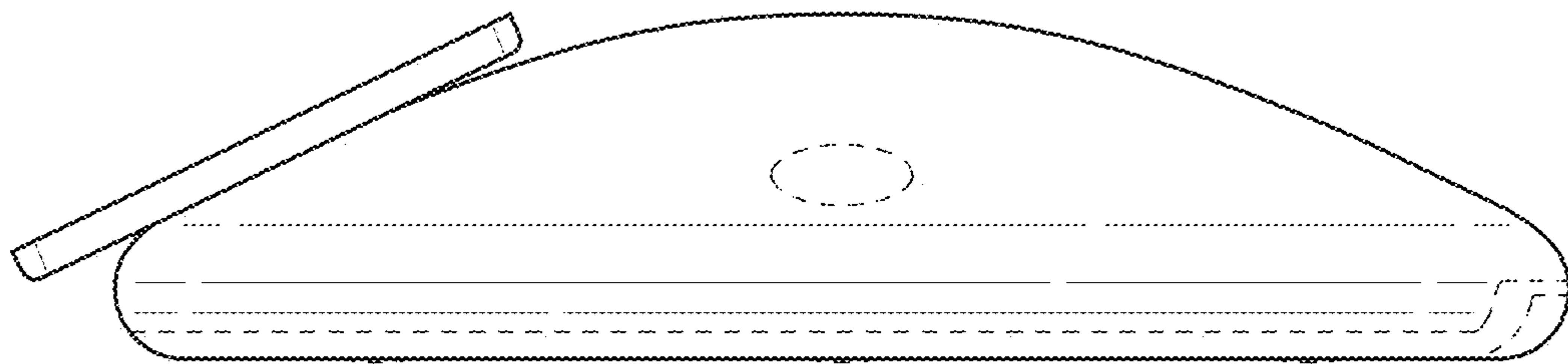


FIG. 9