



US00D951219S

(12) **United States Design Patent**
Cho et al.

(10) **Patent No.:** **US D951,219 S**
(45) **Date of Patent:** **** May 10, 2022**

(54) **DISPLAY DEVICE**

(71) Applicant: **Samsung Display Co., Ltd.**, Yongin-si (KR)

(72) Inventors: **Eui Ri Cho**, Suwon-si (KR); **Hyun Joo Lee**, Cheongju-si (KR); **Seung-Gyun Woo**, Hwaseong-si (KR); **Jun Woo Kim**, Seoul (KR)

(73) Assignee: **Samsung Display Co., Ltd.**, Yongin-si (KR)

(**) Term: **15 Years**

(21) Appl. No.: **29/721,109**

(22) Filed: **Jan. 17, 2020**

(30) **Foreign Application Priority Data**

Jul. 17, 2019 (KR) 30-2019-0034283
Jul. 17, 2019 (KR) 30-2019-0034284

(51) **LOC (13) Cl.** **14-03**

(52) **U.S. Cl.**
USPC **D14/138 AB**

(58) **Field of Classification Search**
USPC D14/138 G, 138 AB, 248, 138 C, 432,
D14/439, 341, 345, 371, 374, 138 R,
D14/138 AA, 138 AC, 138 AD
(Continued)

(56) **References Cited**

U.S. PATENT DOCUMENTS

D560,197 S * 1/2008 Kim D14/138 AB
D616,465 S * 5/2010 Jones D14/496
(Continued)

FOREIGN PATENT DOCUMENTS

CN 302789737 * 4/2014
CN 303454575 * 11/2015
(Continued)

OTHER PUBLICATIONS

U.S. Office Action dated Aug. 23, 2021, issued in U.S. Appl. No. 29/721,123 (10 pages).

Primary Examiner — Bridget L Eland
(74) *Attorney, Agent, or Firm* — Lewis Roca Rothgerber Christie LLP

(57) **CLAIM**

The ornamental design for a display device, as shown and described.

DESCRIPTION

FIG. 1 is a front perspective view of a first embodiment of a display device a showing our new design in a folded state; FIG. 2 is a front view thereof; FIG. 3 is a rear view thereof; FIG. 4 is a left side view thereof; FIG. 5 is a right side view thereof; FIG. 6 is a top view thereof, with the bottom view being a mirror image; FIG. 7 is a front perspective view of the display device of FIG. 1, shown in an unfolded state; FIG. 8 is a front view thereof; FIG. 9 is a rear view thereof; FIG. 10 is a left side view thereof, with the right side view being a mirror image; FIG. 11 is a top view thereof, with the bottom view being a mirror image; FIG. 12 is a front perspective view of a second embodiment of a display device, showing our new design in a folded state; FIG. 13 is a front view thereof; FIG. 14 is a rear view thereof; FIG. 15 is a left side view thereof; FIG. 16 is a right side view thereof; FIG. 17 is a top view thereof, with the bottom view being a mirror image; FIG. 18 is a front perspective view of the display device of FIG. 12, shown in an unfolded state; FIG. 19 is a front view thereof; FIG. 20 is a rear view thereof;

(Continued)

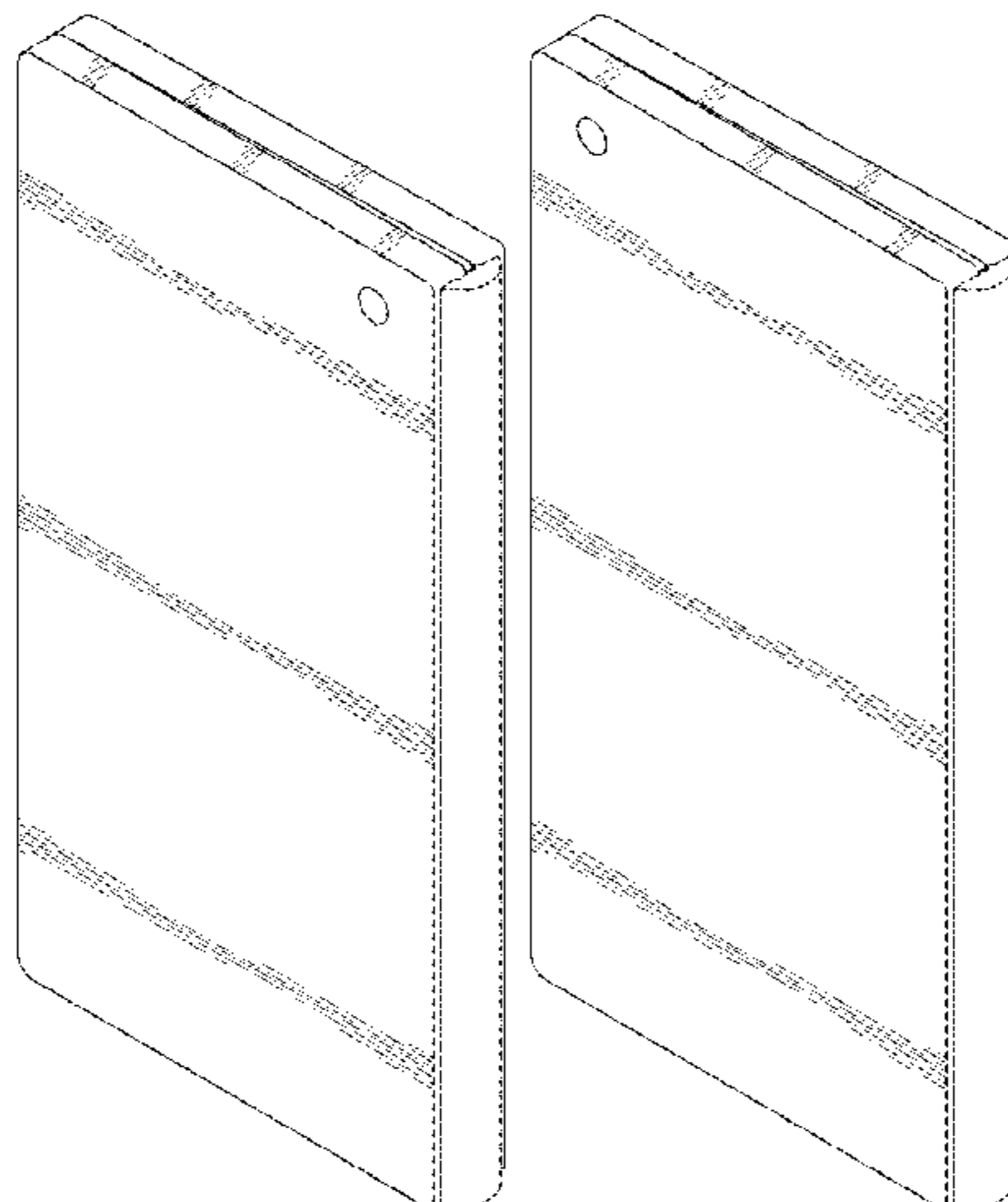


FIG. 21 is a left side view thereof, with the right side view being a mirror image; and,
 FIG. 22 is a top view thereof, with the bottom view being a mirror image.
 The broken lines in the drawings are for the purpose of illustrating portions of the display device that form no part of the claimed design in the embodiments in which they are shown.

1 Claim, 22 Drawing Sheets

(58) **Field of Classification Search**

CPC H04M 1/0202; H04M 1/0235; H04M 1/0237; H04M 1/0239; H04M 1/0266; H04M 1/0268; H04M 1/027; H04M 1/0295; H04M 1/02; H04M 1/0279; H04M 1/0283

See application file for complete search history.

(56) **References Cited**

U.S. PATENT DOCUMENTS

D644,622 S * 9/2011 Park D14/138 AB
 D648,299 S * 11/2011 Kim D14/138 G
 D745,855 S * 12/2015 Chu D14/138 G
 D746,250 S * 12/2015 Chu D14/138 G
 D746,285 S * 12/2015 Okabe D14/345
 D749,576 S * 2/2016 Park D14/345

D786,817 S * 5/2017 Kim D14/138 AA
 D791,725 S * 7/2017 Lee D14/138 AB
 D798,256 S * 9/2017 Choo D14/138 AA
 D798,257 S * 9/2017 Choo D14/138 AB
 D848,388 S * 5/2019 Magi D14/138 G
 D884,743 S 5/2020 Liu et al.
 D890,111 S * 7/2020 Park D14/138 G
 D890,112 S * 7/2020 Park D14/138 G
 D894,145 S * 8/2020 Lee D14/138 AB
 D901,495 S * 11/2020 Lee D14/345
 D910,620 S * 2/2021 Lee D14/345
 11,005,983 B1 * 5/2021 Koh G06F 1/1652
 D920,973 S 6/2021 Lee
 D921,601 S 6/2021 Lee et al.
 D925,541 S * 7/2021 Ahn D14/439
 D930,609 S * 9/2021 Chen D14/138 AB
 2012/0044620 A1 * 2/2012 Song G06F 1/1681
 361/679.01
 2015/0378397 A1 * 12/2015 Park G06F 1/1652
 361/679.27
 2017/0322590 A1 * 11/2017 Jacobs G06F 1/1603
 2018/0277932 A1 * 9/2018 Martinez H01Q 1/241
 2018/0373297 A1 12/2018 Liao et al.
 2019/0166703 A1 * 5/2019 Kim G06F 1/1681
 2019/0339746 A1 * 11/2019 Kim B32B 17/06
 2020/0253068 A1 8/2020 Cha

FOREIGN PATENT DOCUMENTS

CN 304288024 * 9/2017
 CN 304514440 * 2/2018

* cited by examiner

FIG. 1

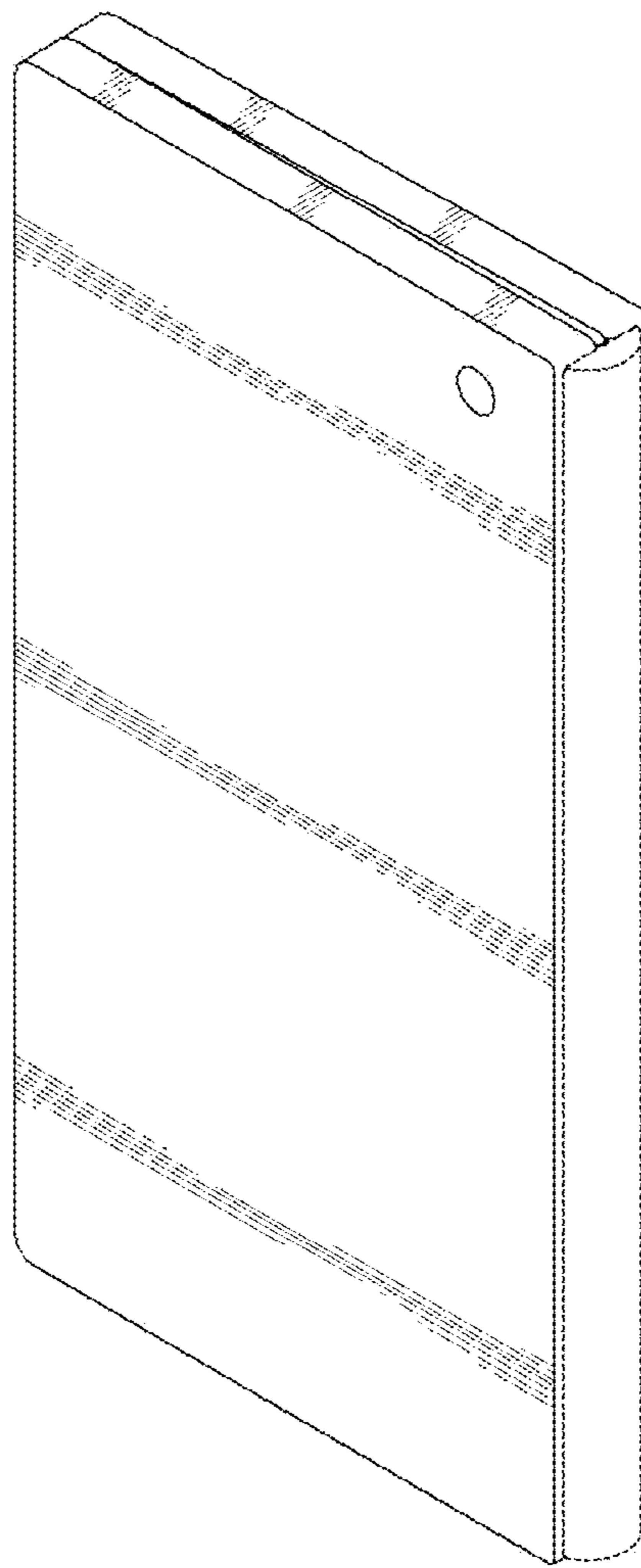


FIG. 2

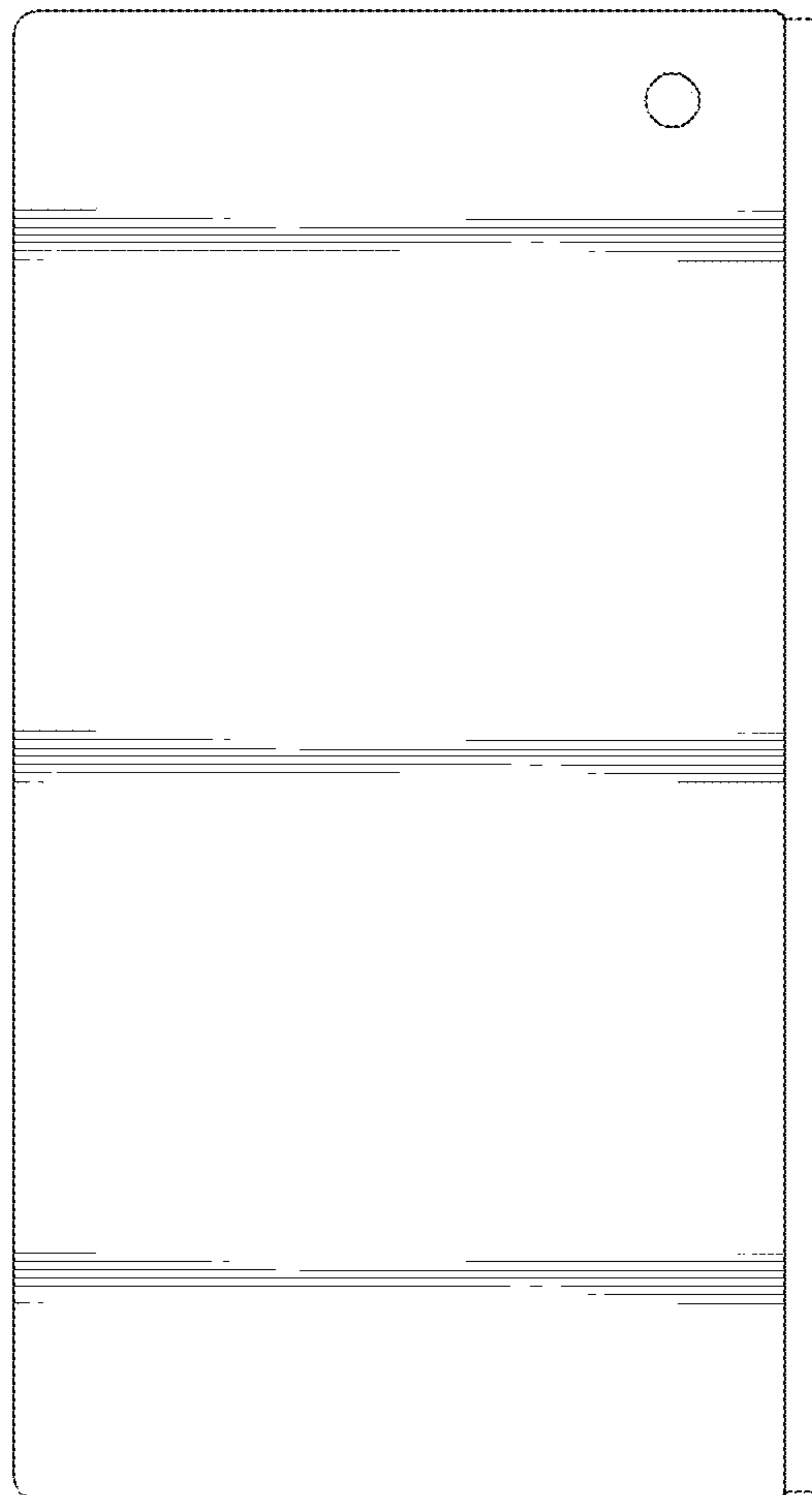


FIG. 3



FIG. 4

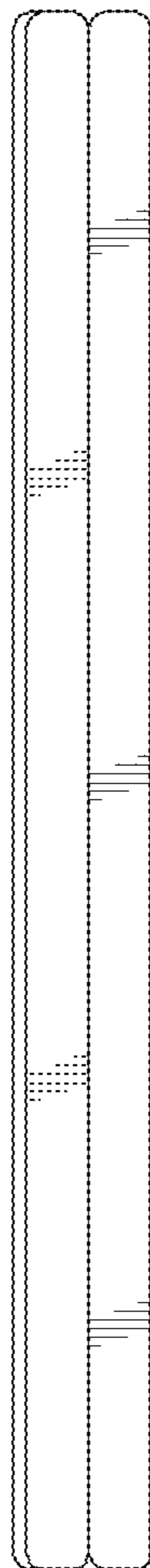


FIG. 5

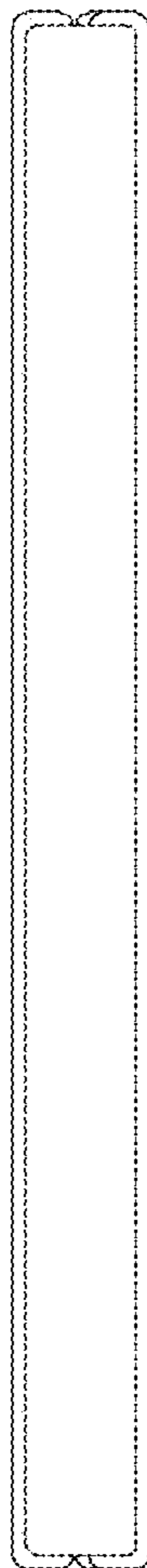


FIG. 6

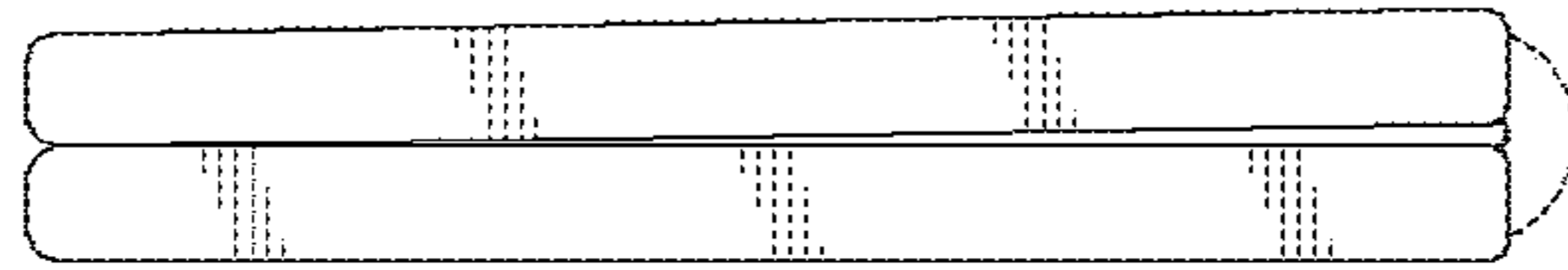


FIG. 7

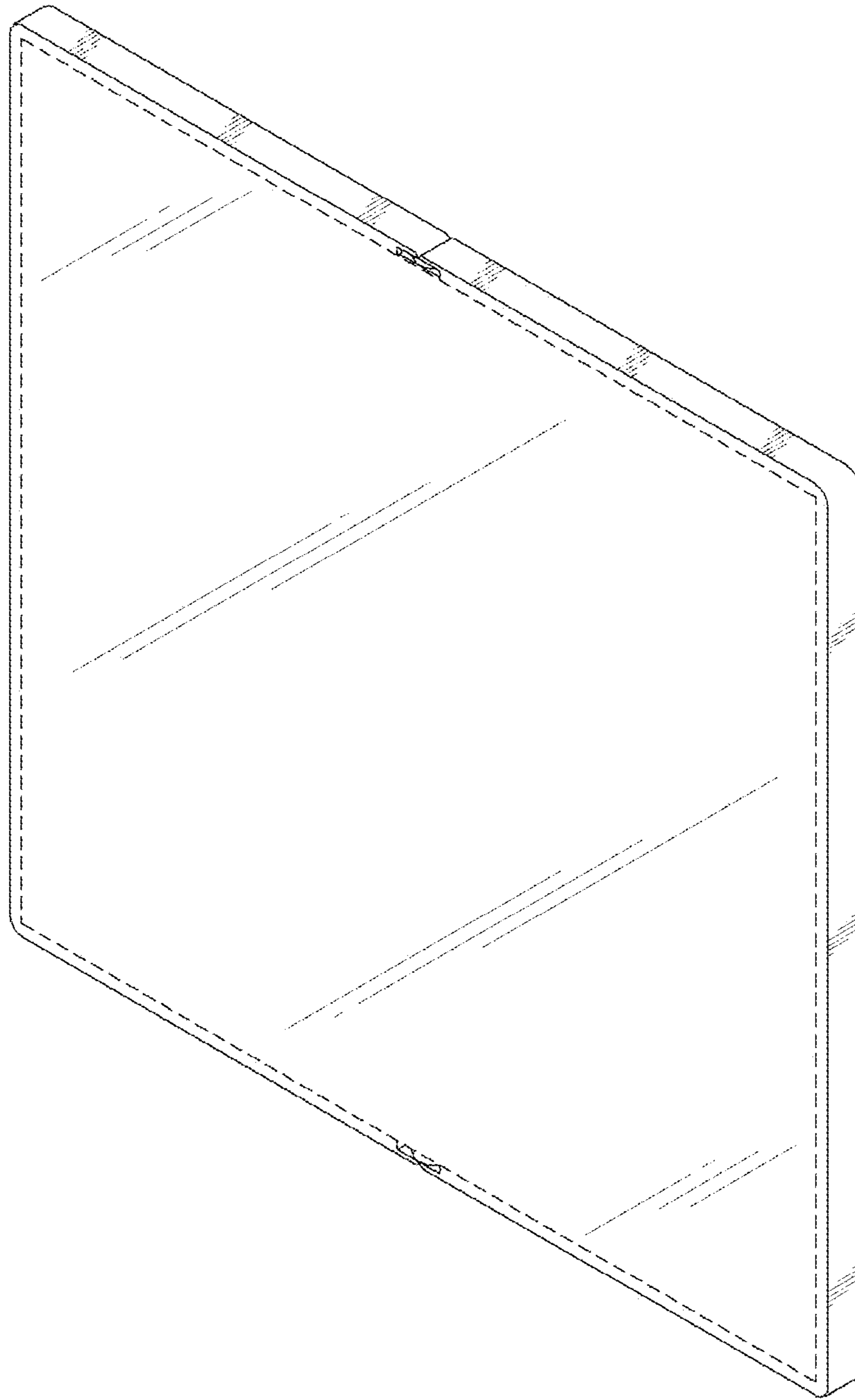


FIG. 8

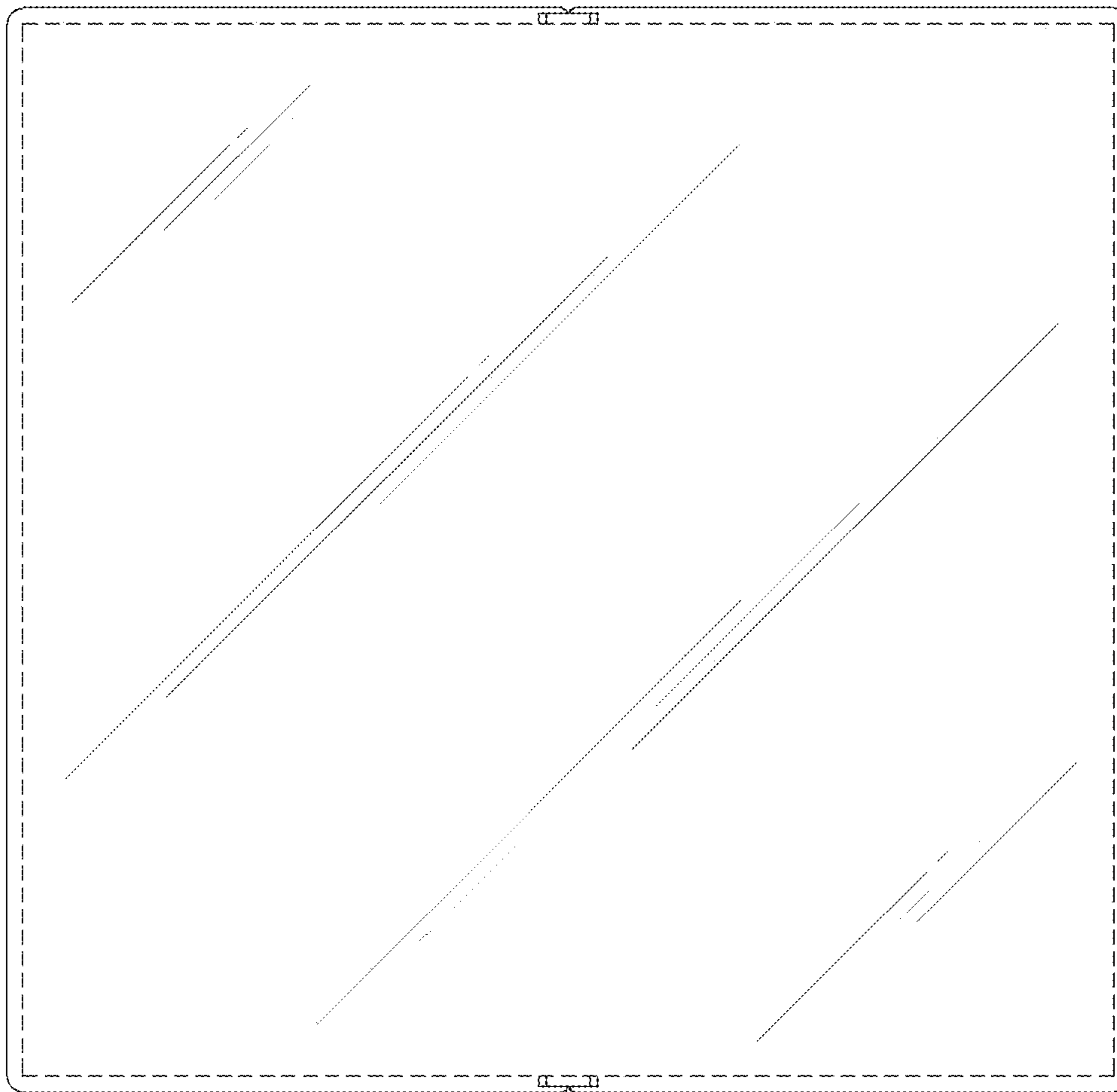


FIG. 9



FIG. 10



FIG. 11

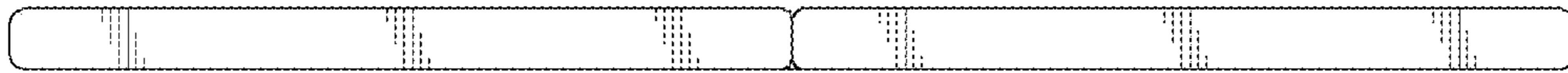


FIG. 12

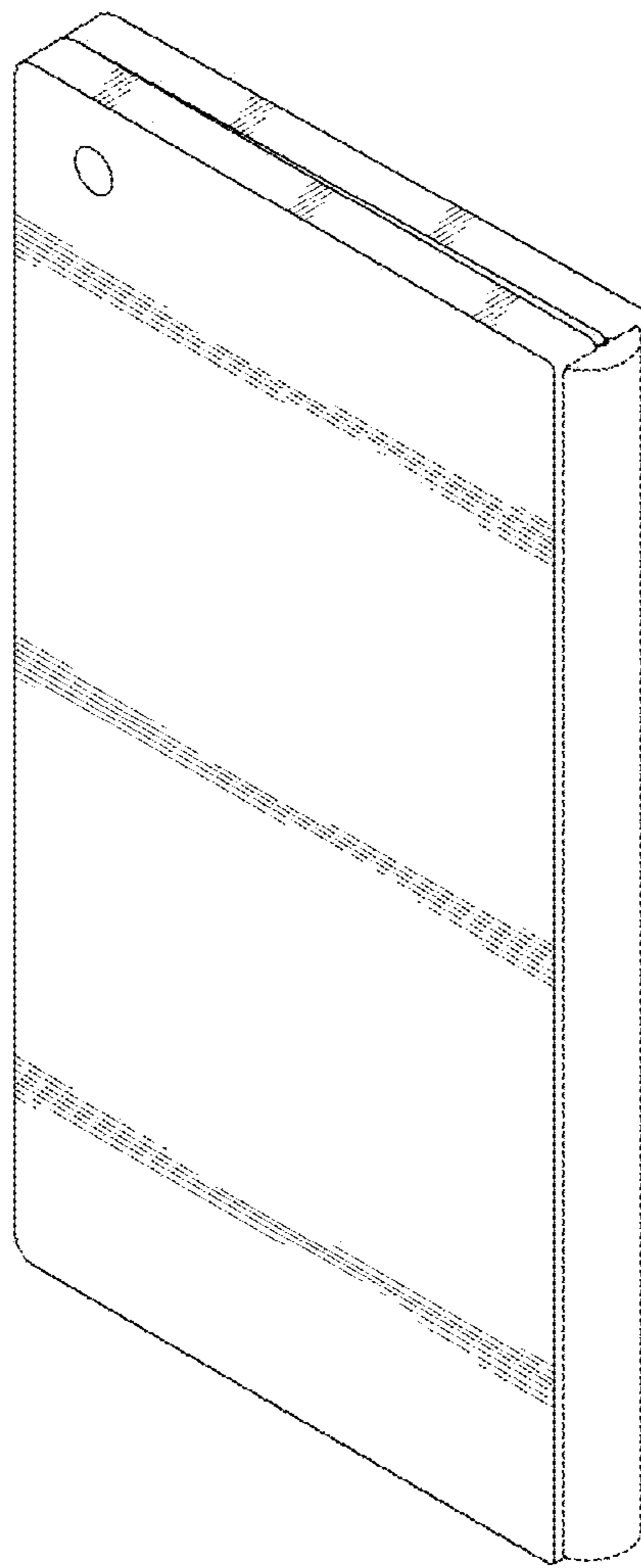


FIG. 13

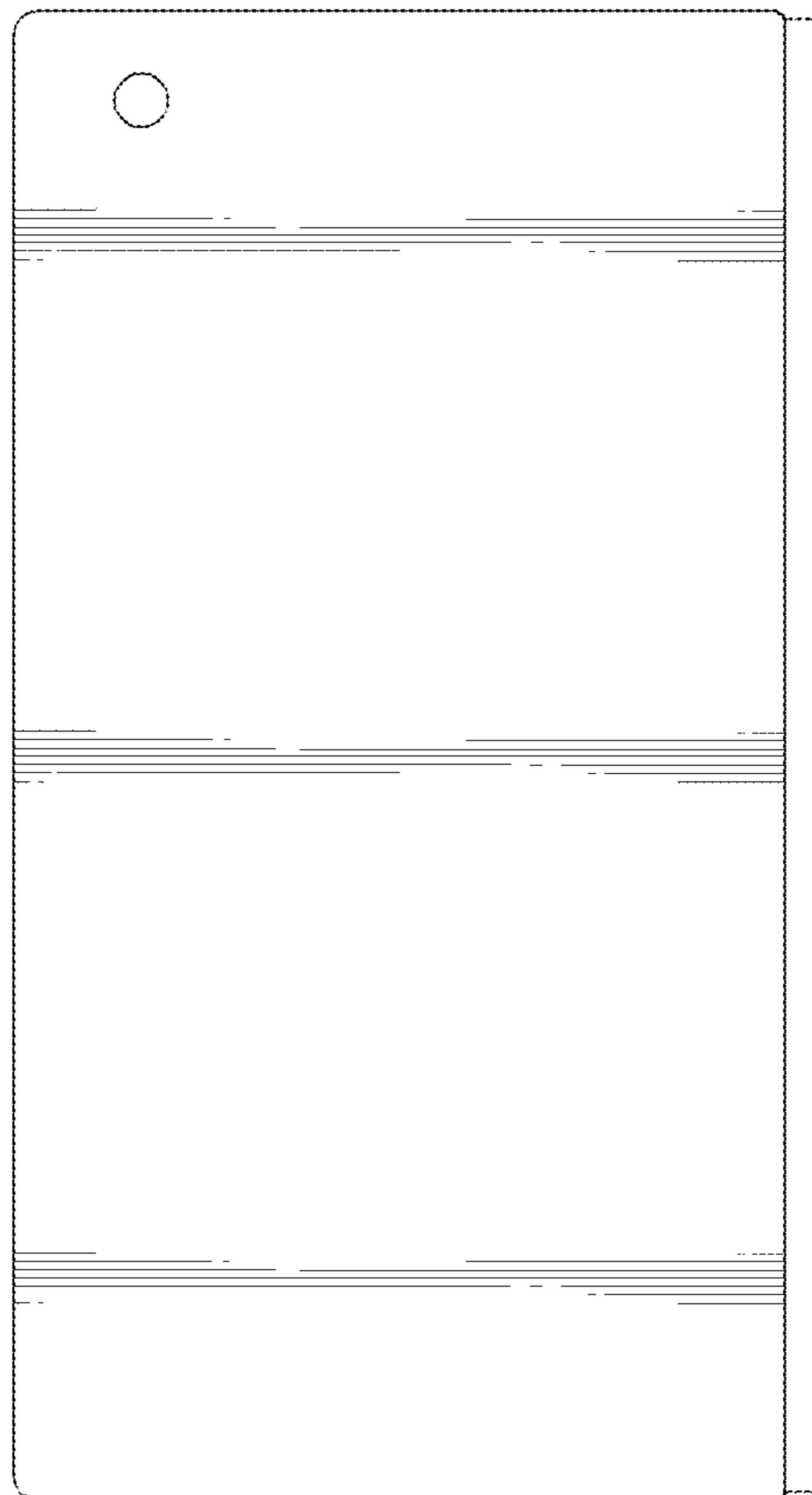


FIG. 14



FIG. 15

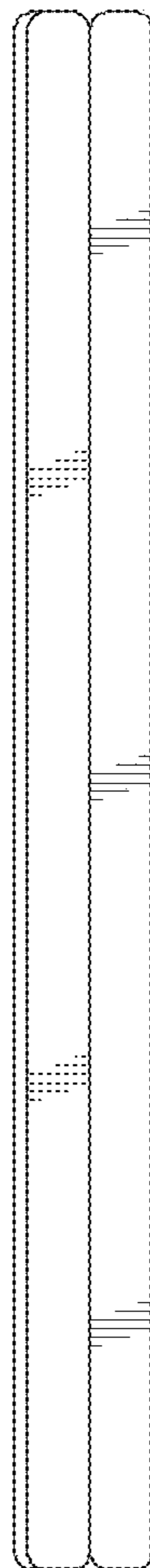


FIG. 16

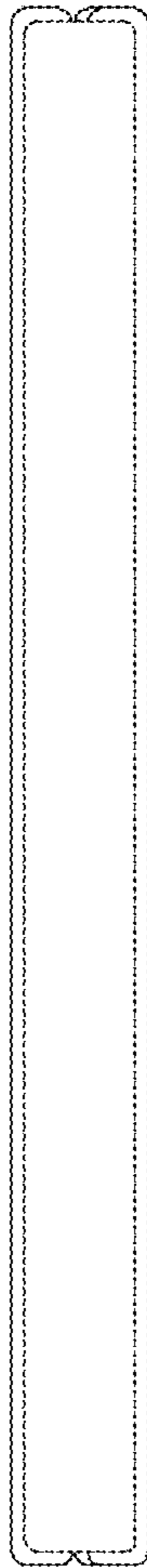


FIG. 17

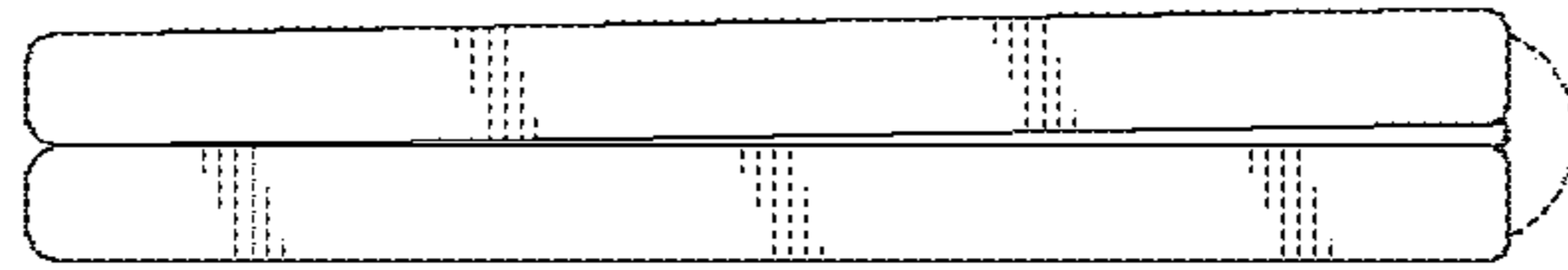


FIG. 18

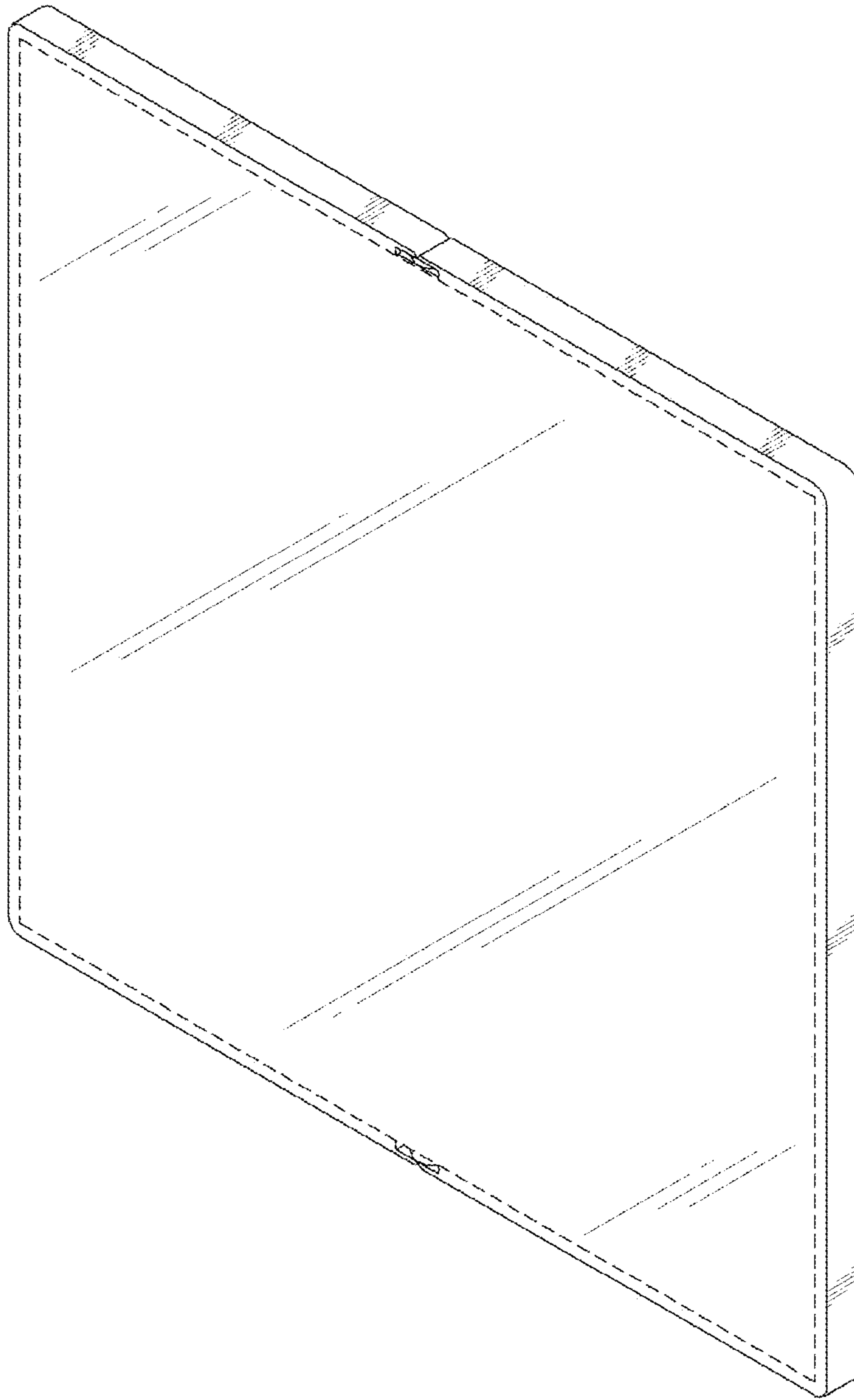


FIG. 19

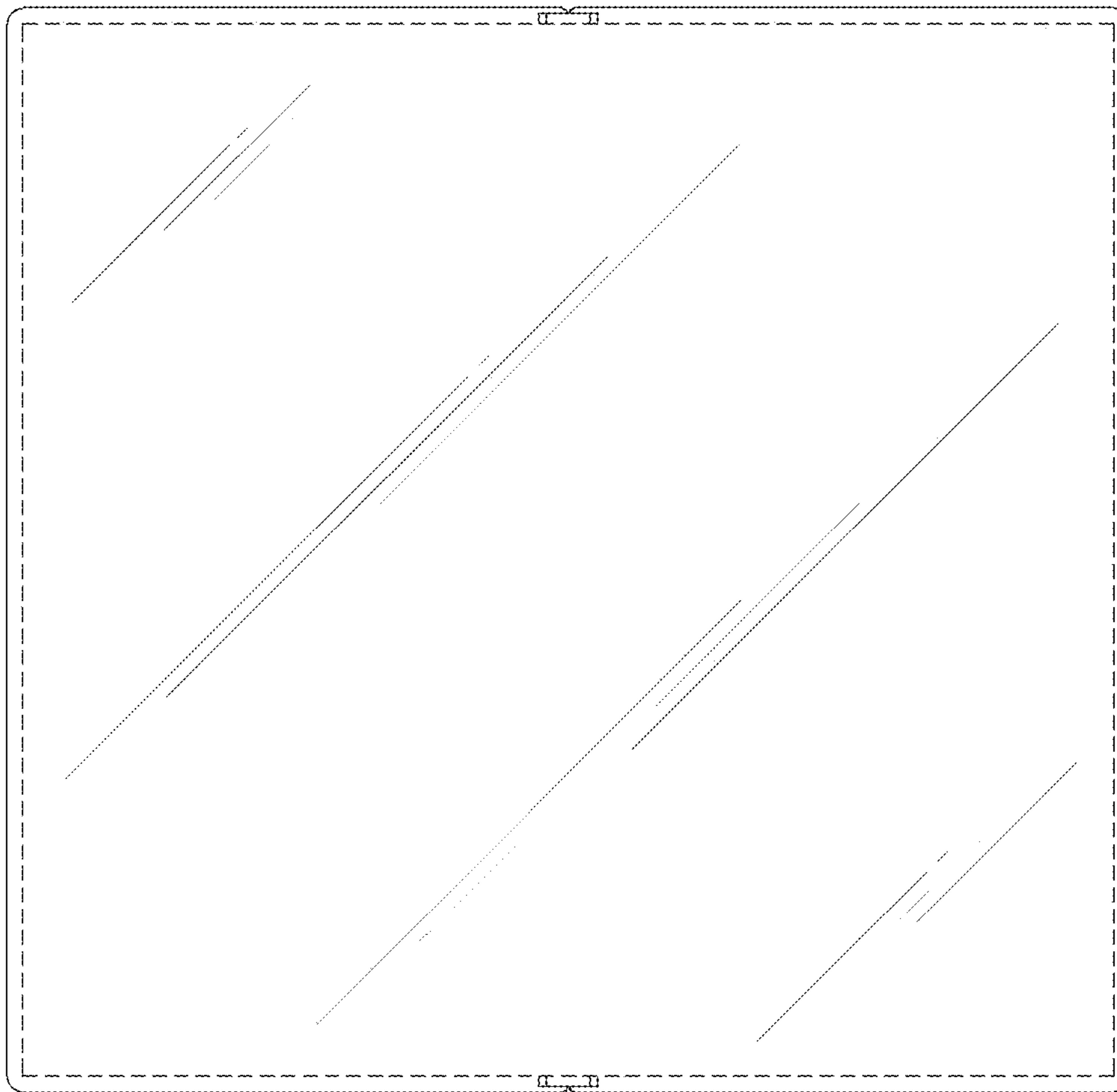


FIG. 20

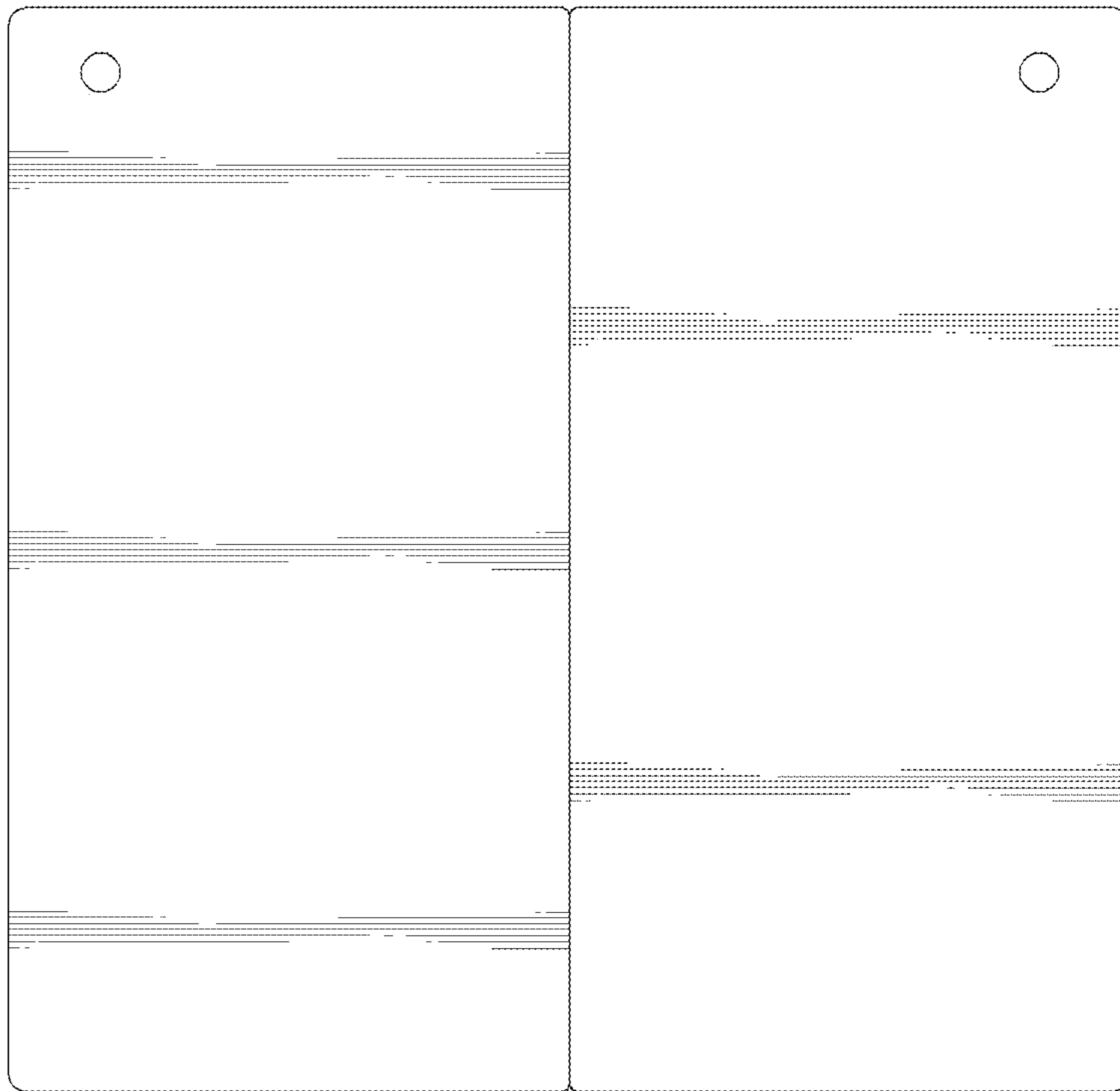


FIG. 21



FIG. 22

