



US00D951216S

(12) **United States Design Patent**
Lanter, Jr.

(10) **Patent No.:** **US D951,216 S**
(45) **Date of Patent:** **** May 10, 2022**

(54) **INTERNAL COVER FOR AN ELECTRICAL APPARATUS ENCLOSURE**

(71) Applicant: **Eaton Intelligent Power Limited,**
Dublin (IE)

(72) Inventor: **Roger Wayne Lanter, Jr.,** Auburn, IL
(US)

(73) Assignee: **Eaton Intelligent Power Limited,**
Dublin (IE)

(**) Term: **15 Years**

(21) Appl. No.: **29/665,154**

(22) Filed: **Oct. 1, 2018**

(51) **LOC (13) Cl.** **13-03**

(52) **U.S. Cl.**
USPC **D13/184**

(58) **Field of Classification Search**
USPC D13/112–118, 122, 184, 145, 147, 152
CPC H01H 21/04; H01R 13/516; H01R 13/518
See application file for complete search history.

(56) **References Cited**

U.S. PATENT DOCUMENTS

4,039,900	A *	8/1977	Roback	H05K 7/209
					361/709
D370,463	S *	6/1996	Nagele	D13/147
D410,437	S *	6/1999	Mowery	D13/177
D419,966	S *	2/2000	Mowery	D13/184
D424,026	S *	5/2000	Kabat	D13/184
D449,279	S *	10/2001	Takach, Jr.	D13/152
D450,665	S *	11/2001	Isely	D13/184
D566,657	S *	4/2008	Shen	D13/152
D577,986	S *	10/2008	Jarvis	D8/353
D637,162	S *	5/2011	Bridgman	D13/152
7,968,794	B1 *	6/2011	Baldwin	H02G 3/18
					174/67
D711,324	S *	8/2014	Pritchett	D13/152

D739,833	S *	9/2015	Hanazeder	D13/184
D760,230	S *	6/2016	Iizuka	D14/435
D767,571	S *	9/2016	Iizuka	D14/435
D776,619	S *	1/2017	Gretz	D13/152
D781,237	S *	3/2017	Wilkins, III	D13/152
D814,420	S *	4/2018	Chen	D13/137.2
D816,049	S *	4/2018	Kim	D13/184
D842,825	S *	3/2019	Lanter, Jr.	D13/184
D842,826	S *	3/2019	Lanter, Jr.	D13/184
D842,827	S *	3/2019	Lanter, Jr.	D13/184
D896,768	S *	9/2020	Lanter, Jr.	D13/184
D897,975	S *	10/2020	Lanter, Jr.	D13/184
D897,976	S *	10/2020	Lanter, Jr.	D13/184

(Continued)

Primary Examiner — Keli L Hill

Assistant Examiner — Harold E Blackwell, II

(74) *Attorney, Agent, or Firm* — Myers Bigel, P.A.

(57) **CLAIM**

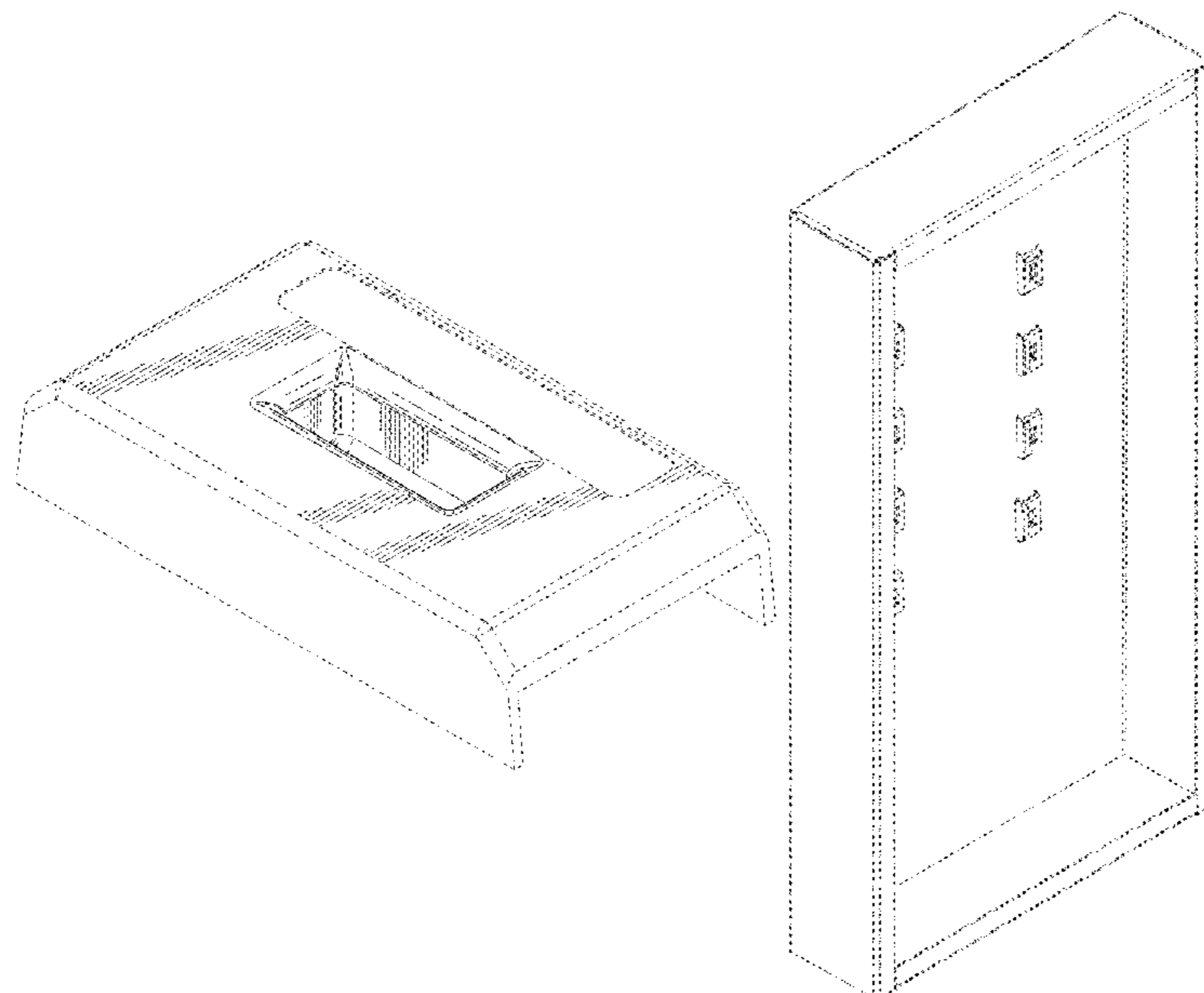
The ornamental design for an internal cover for an electrical apparatus enclosure, as shown and described.

DESCRIPTION

FIG. 1 is a top perspective view of an internal cover for an electrical apparatus enclosure showing my design;
FIG. 2 is a bottom perspective view thereof;
FIG. 3 is a side view thereof;
FIG. 4 is an opposing side view thereof;
FIG. 5 is an end view thereof;
FIG. 6 is an opposing end view thereof;
FIG. 7 is a top view thereof;
FIG. 8 is a bottom view thereof; and,
FIG. 9 is an environmental view of the internal cover attached to an electrical apparatus enclosure, optionally a loadcenter enclosure.

The broken lines are included for the purpose of illustrating portions of the internal cover for an electrical apparatus enclosure and form no part of the claimed design.

1 Claim, 7 Drawing Sheets



(56)

References Cited

U.S. PATENT DOCUMENTS

D924,797 S * 7/2021 Scheurer D13/108
2013/0241359 A1* 9/2013 Naito H01L 41/053
310/348
2014/0185195 A1* 7/2014 Samuelson H02B 1/056
361/634
2015/0155849 A1* 6/2015 Kikuchi H03H 9/172
310/348
2019/0058310 A1* 2/2019 Benson H02B 1/30

* cited by examiner

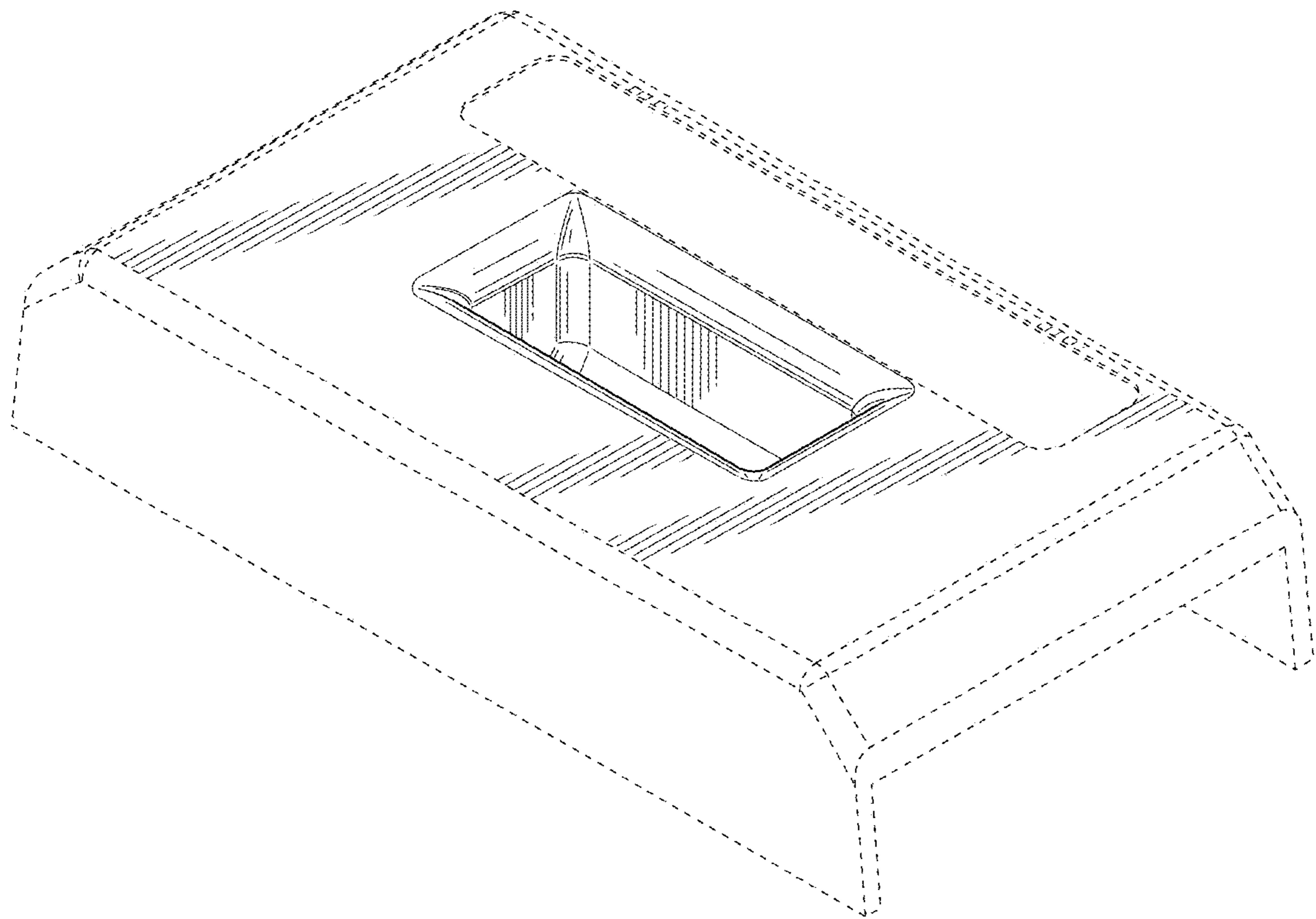


FIG. 1

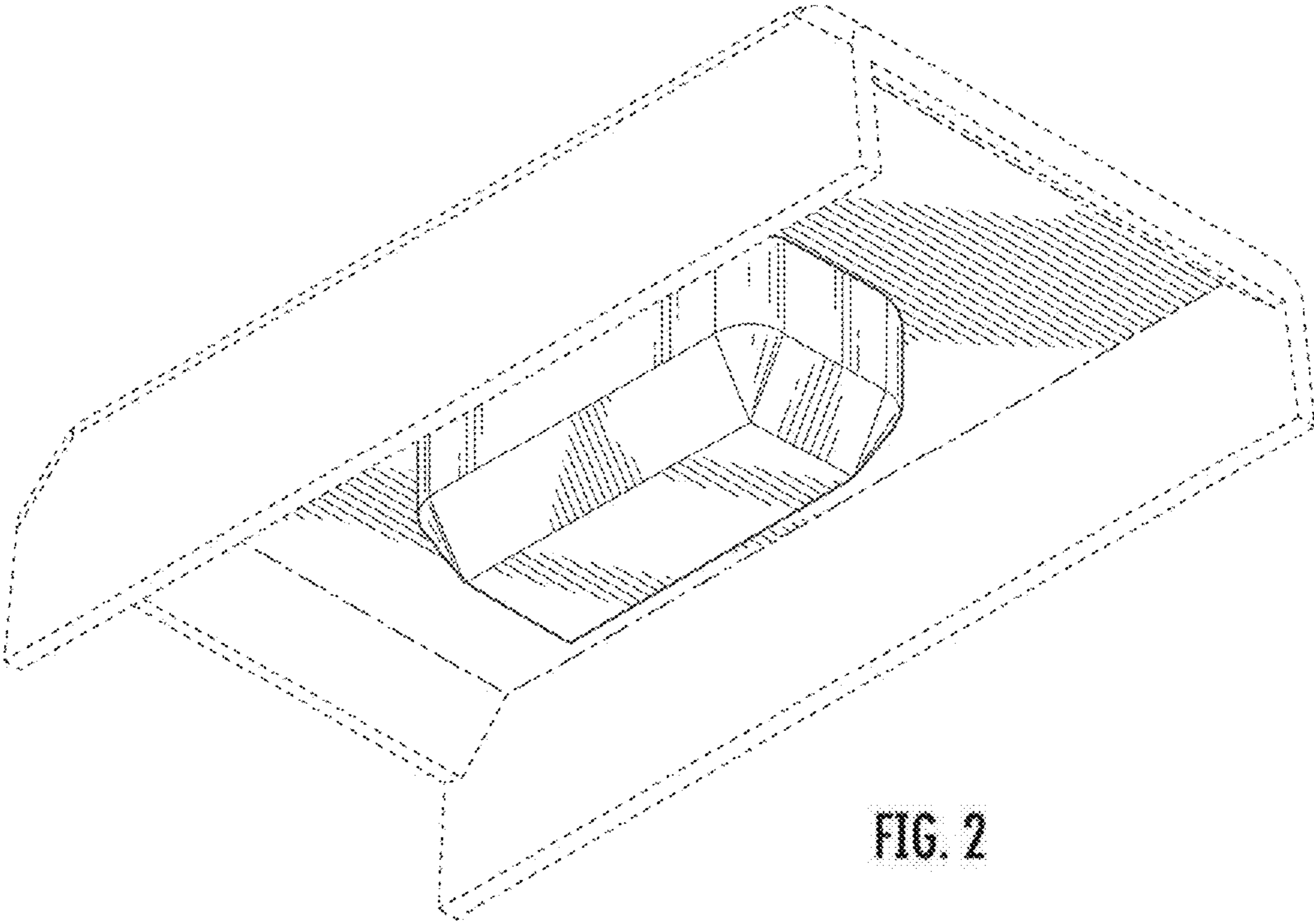


FIG. 2

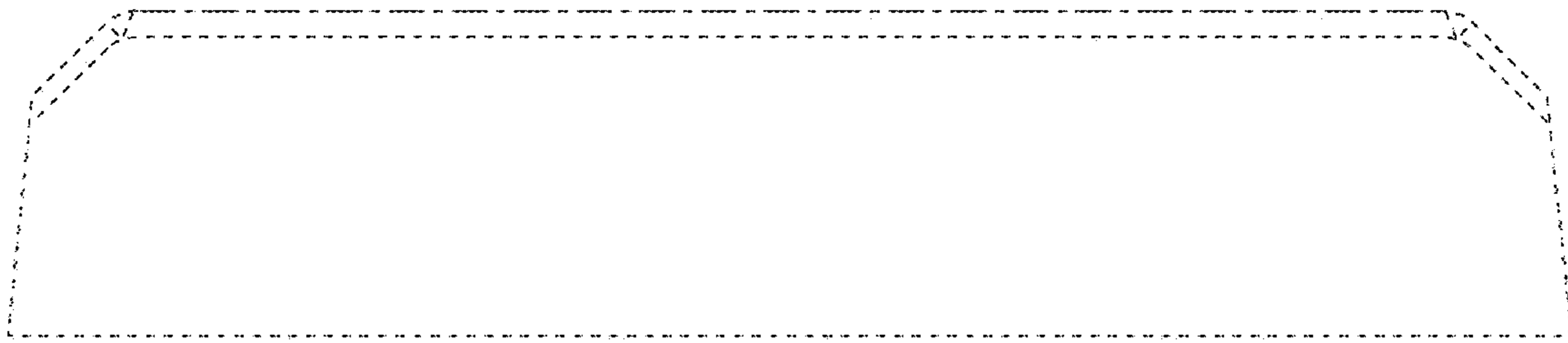


FIG. 3

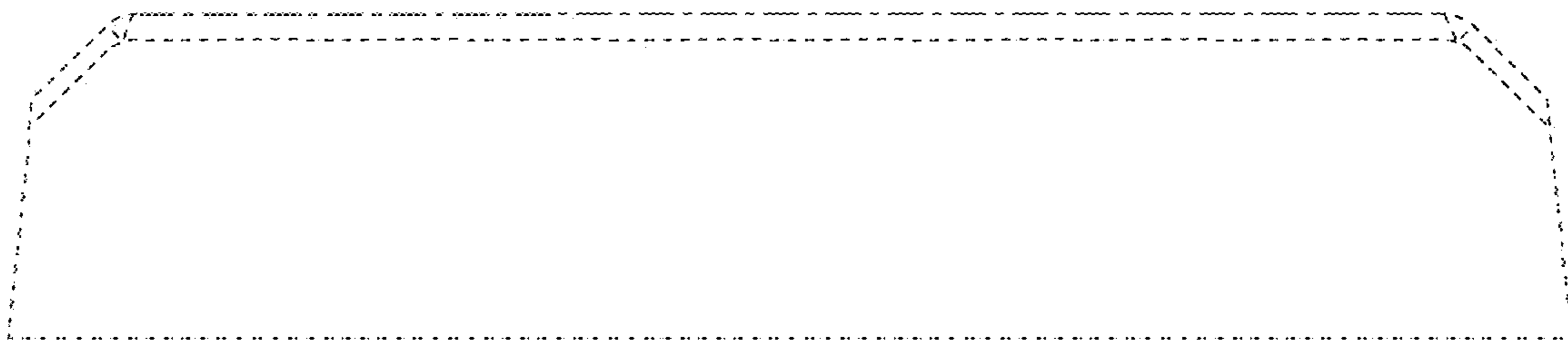


FIG. 4

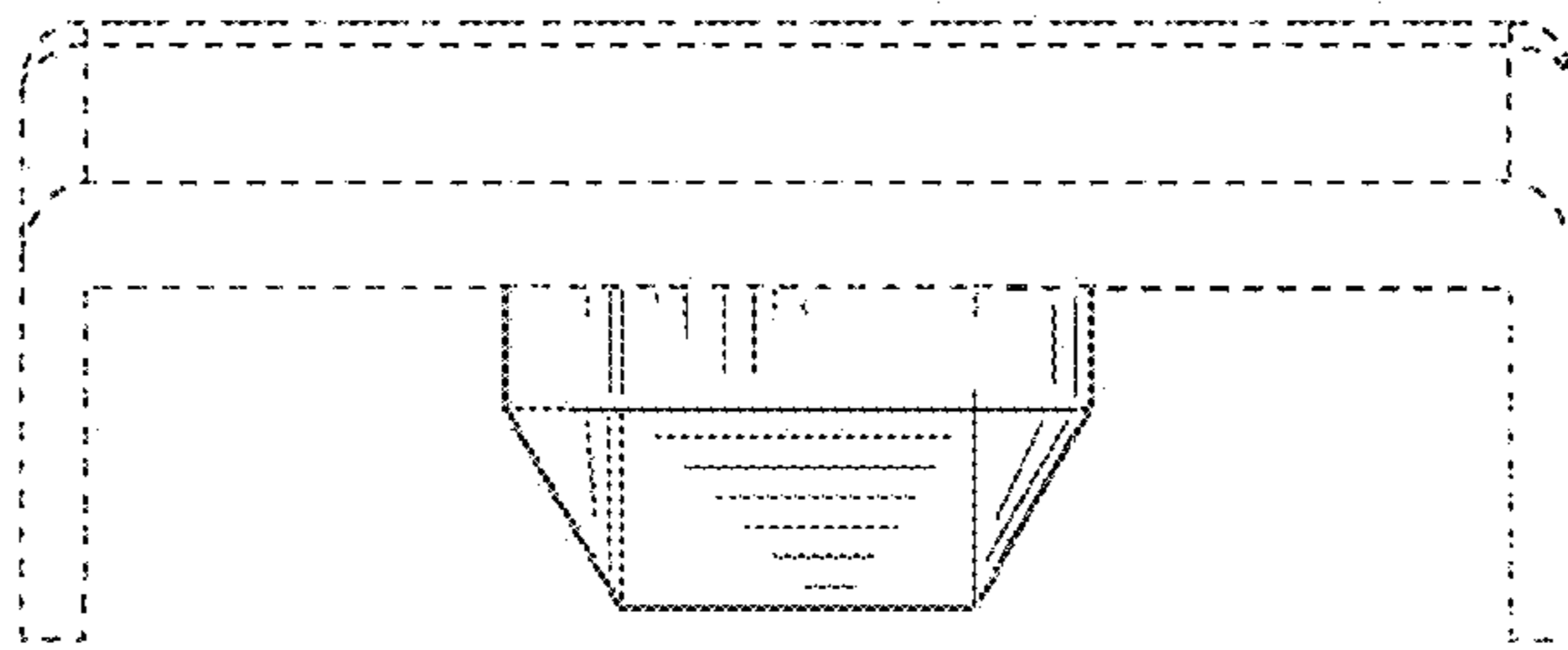


FIG. 5

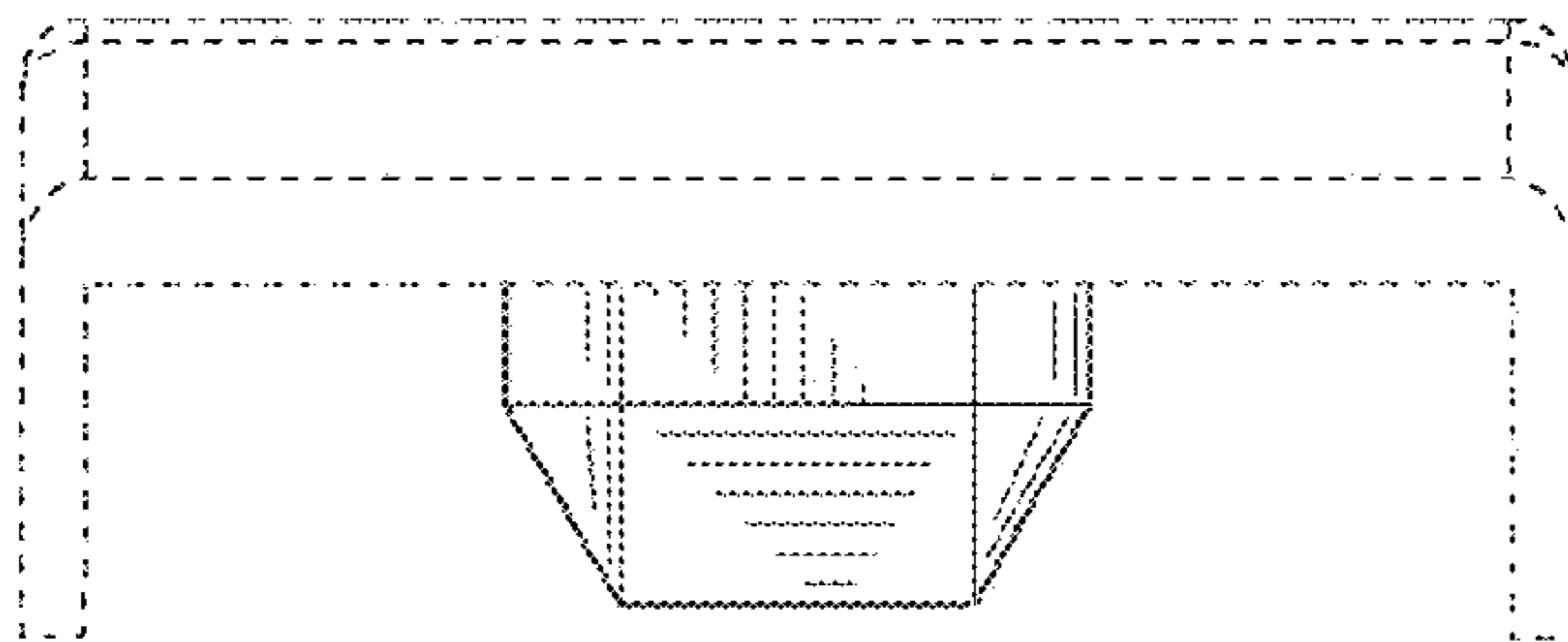


FIG. 6

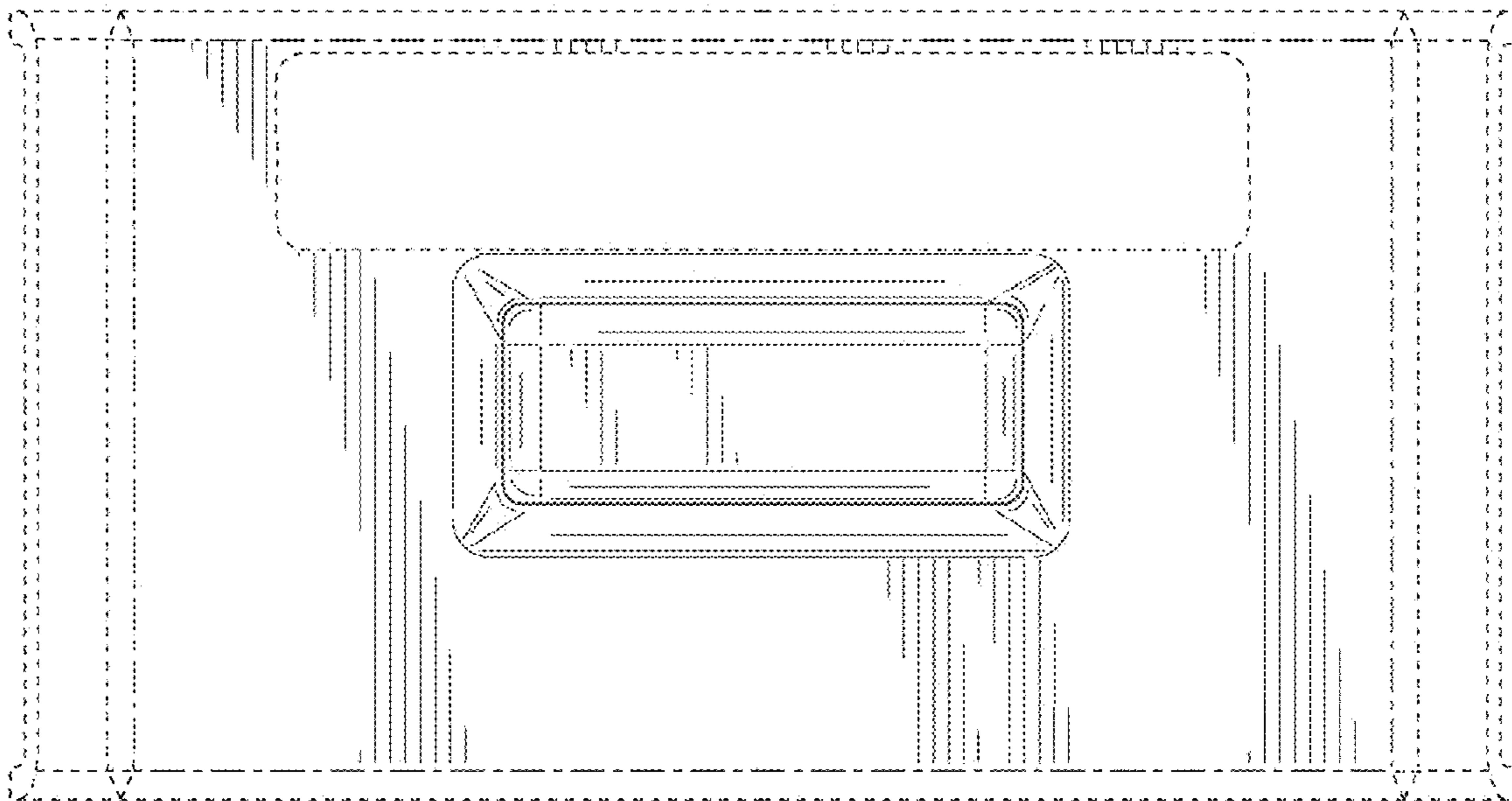


FIG. 7

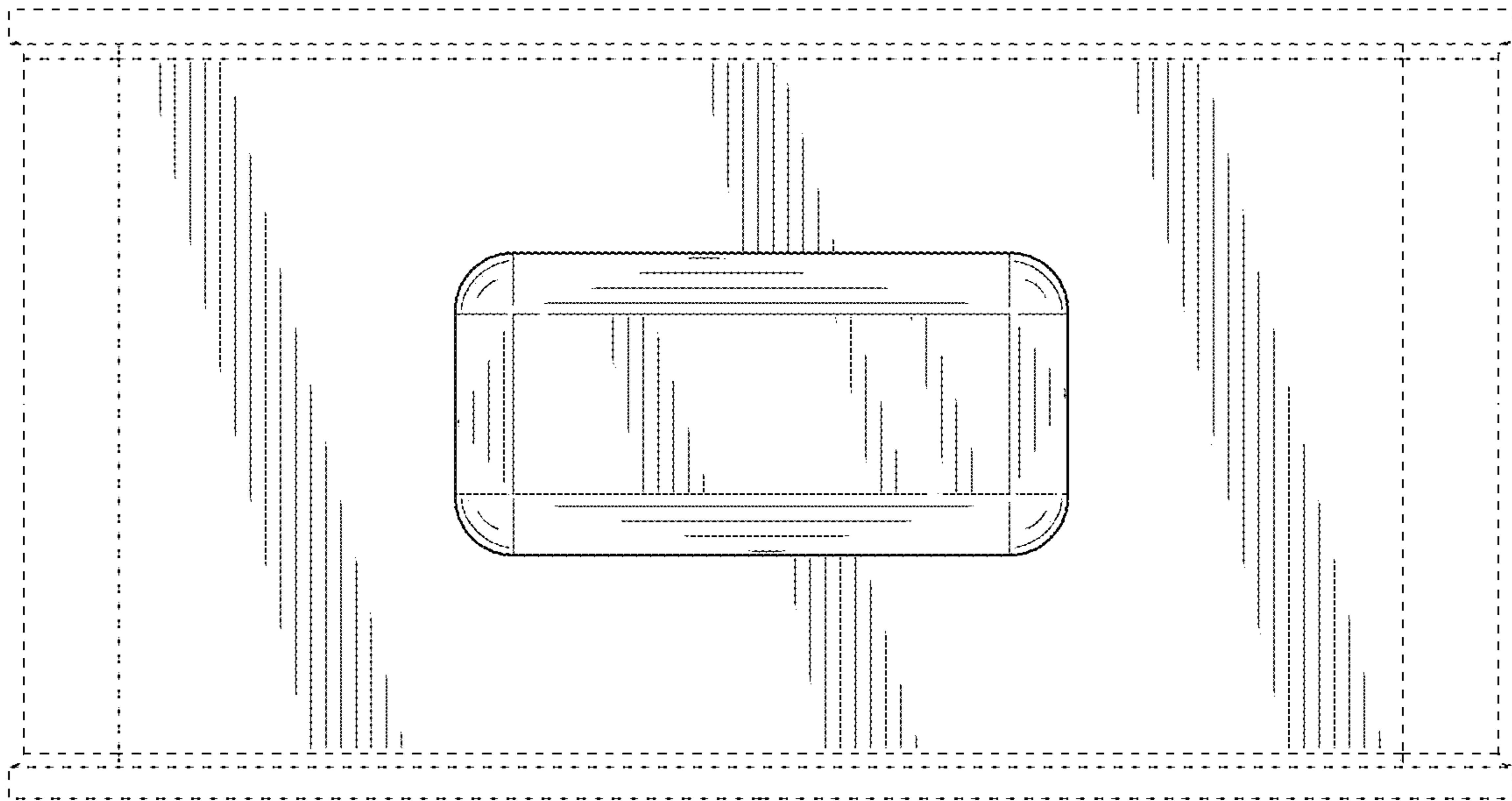


FIG. 8

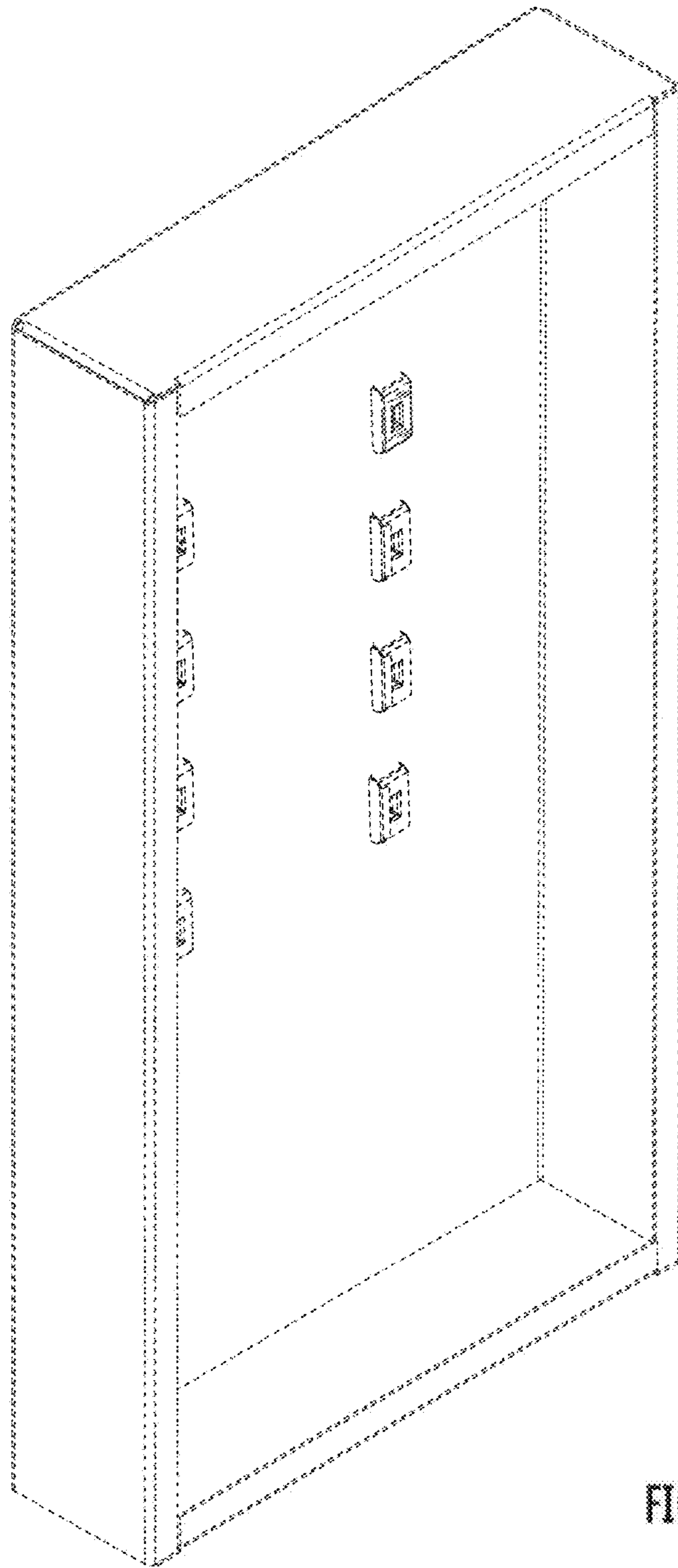


FIG. 9