



US00D951209S

(12) **United States Design Patent** (10) **Patent No.:** **US D951,209 S**  
**Wu** (45) **Date of Patent:** **\*\* May 10, 2022**

(54) **ELECTRONIC SWITCH**  
(71) Applicant: **SONG CHUAN PRECISION CO., LTD.**, New Taipei (TW)  
(72) Inventor: **Sung-Jen Wu**, New Taipei (TW)  
(73) Assignee: **SONG CHUAN PRECISION CO., LTD.**, New Taipei (TW)  
  
(\*\*) Term: **15 Years**  
(21) Appl. No.: **29/759,112**  
(22) Filed: **Nov. 20, 2020**  
(51) **LOC (13) Cl.** ..... **13-03**  
(52) **U.S. Cl.**  
USPC ..... **D13/158**; D13/159  
(58) **Field of Classification Search**  
USPC ..... D13/114, 137.3, 139.6, 139.8, 152, 158, D13/159, 173, 176, 178, 199; D15/9, D15/140  
CPC ..... H01H 50/56; H01H 50/64; H01H 33/08; H01H 33/42; H01H 9/32; H01H 9/34; H01H 9/40; H01H 9/443; H01H 50/023; H01H 50/047; H01H 50/642; H01H 50/643

See application file for complete search history.

(56) **References Cited**  
U.S. PATENT DOCUMENTS

D44,323 S *	7/1913	Ross	.....	D13/159
D670,254 S *	11/2012	Wu	.....	D13/159
9,754,747 B1 *	9/2017	Yeh	.....	H01H 50/047
2002/0036557 A1 *	3/2002	Nakamura	.....	H01H 9/40
				335/128
2004/0113729 A1 *	6/2004	Sanada	.....	H01H 50/642
				335/129
2004/0119566 A1 *	6/2004	Sanada	.....	H01H 50/56
				335/128
2013/0057370 A1 *	3/2013	Kubono	.....	H01H 50/643
				335/177

2014/0145805 A1 *	5/2014	Uchiyama	.....	H01H 50/643
				335/185
2015/0262777 A1 *	9/2015	Tsurusu	.....	H01H 9/443
				335/201
2015/0303015 A1 *	10/2015	Li	.....	H01H 50/642
				335/172
2017/0047182 A1 *	2/2017	Kubono	.....	H01H 50/36
2018/0182584 A1 *	6/2018	Iwamoto	.....	H01H 9/443
2018/0182585 A1 *	6/2018	Hiraiwa	.....	H01H 50/023

**OTHER PUBLICATIONS**

Song Chuan, Date: Aug. 7, 2020, [online], [site visited Nov. 17, 2021]. Available from internet, URL: <https://songchuanusa.com/all-relays/822-automotive-40a-pcb-relay/> (Year: 2020).\*

\* cited by examiner

*Primary Examiner* — Shawn T Gingrich  
*Assistant Examiner* — Bryan N. Melvin  
(74) *Attorney, Agent, or Firm* — Fei-hung Yang

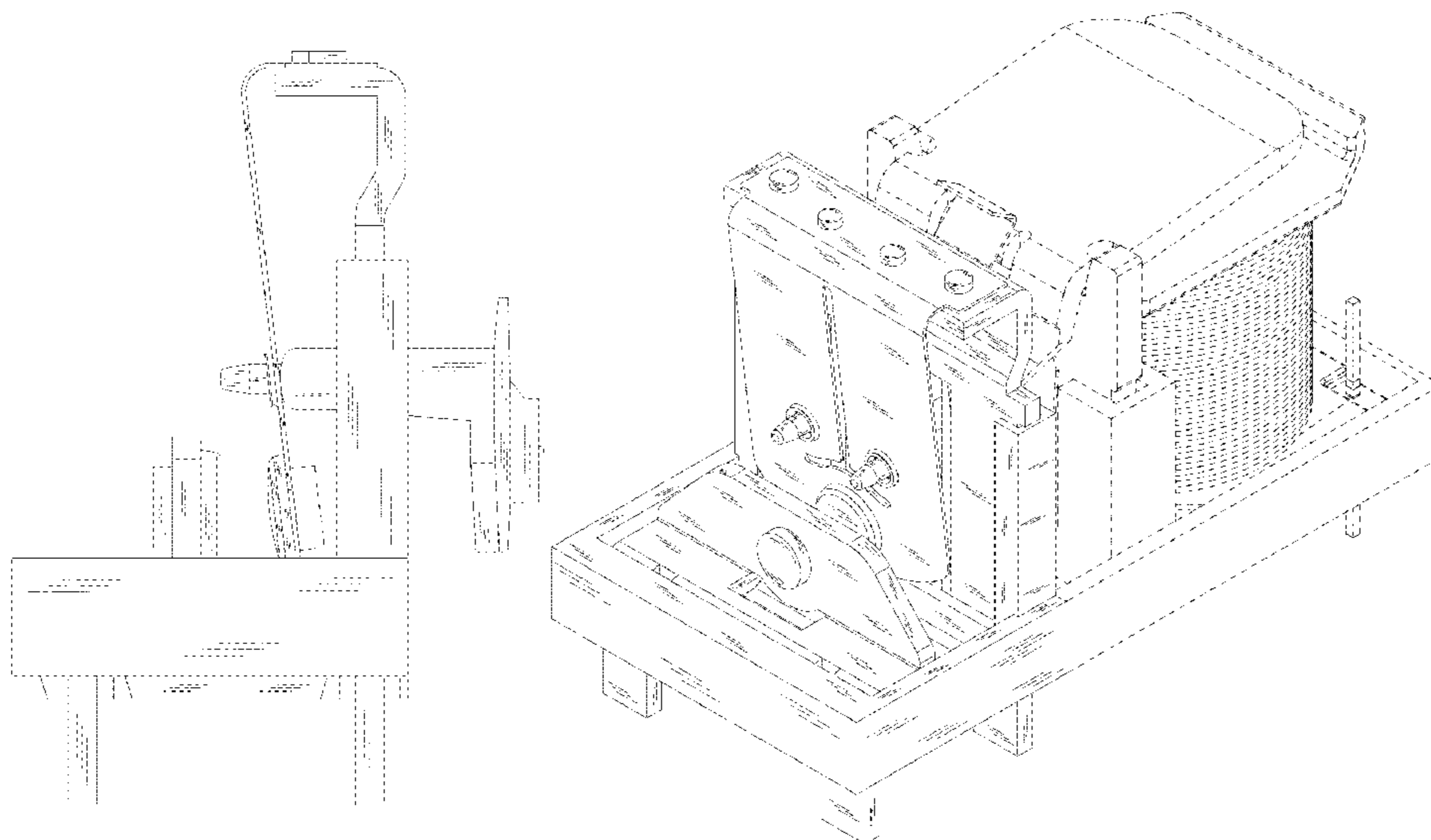
(57) **CLAIM**

The ornamental design for an electronic switch, as shown and described.

**DESCRIPTION**

FIG. 1 is a perspective view of an electronic switch showing my new design;  
FIG. 2 is a front elevational view thereof;  
FIG. 3 is a rear elevational view thereof;  
FIG. 4 is a left side view thereof;  
FIG. 5 is a right side view thereof;  
FIG. 6 is a top plan view thereof;  
FIG. 7 is a bottom plan view thereof; and,  
FIG. 8 is another perspective view thereof, showing the status while in use.  
The broken lines in the drawings illustrate environment and portions of the electronic switch that form no part of the claimed design.

**1 Claim, 8 Drawing Sheets**



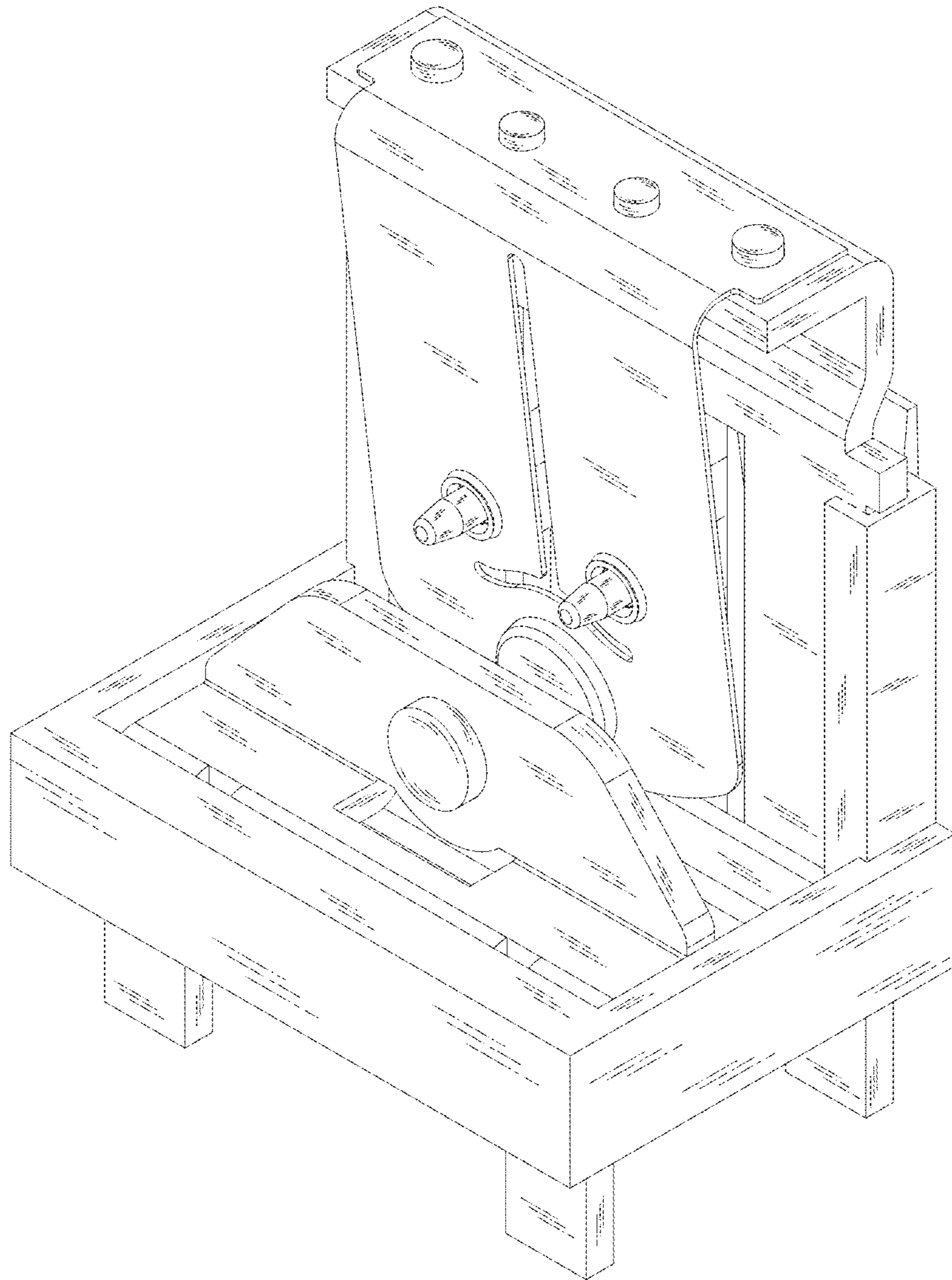


Fig. 1

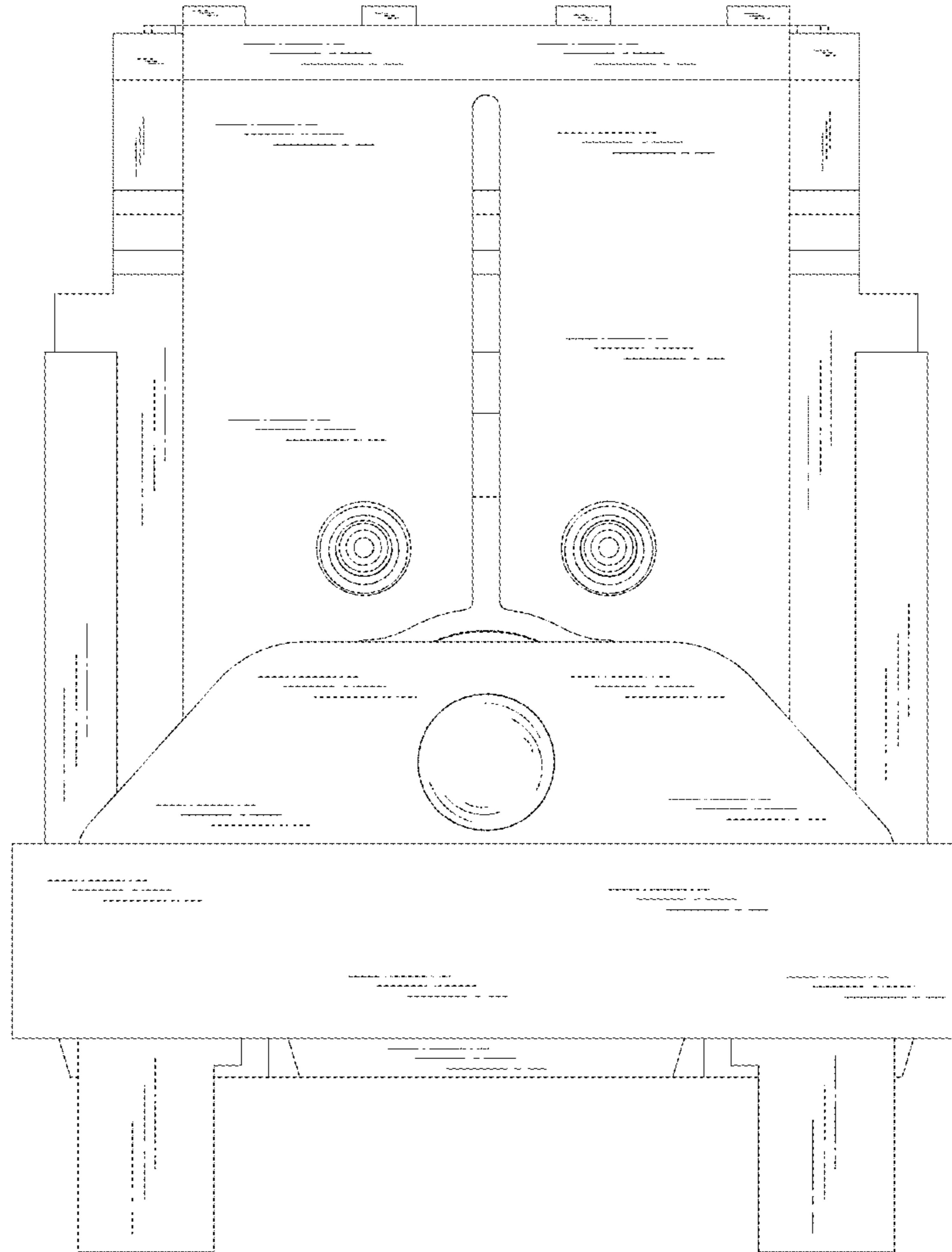


Fig. 2

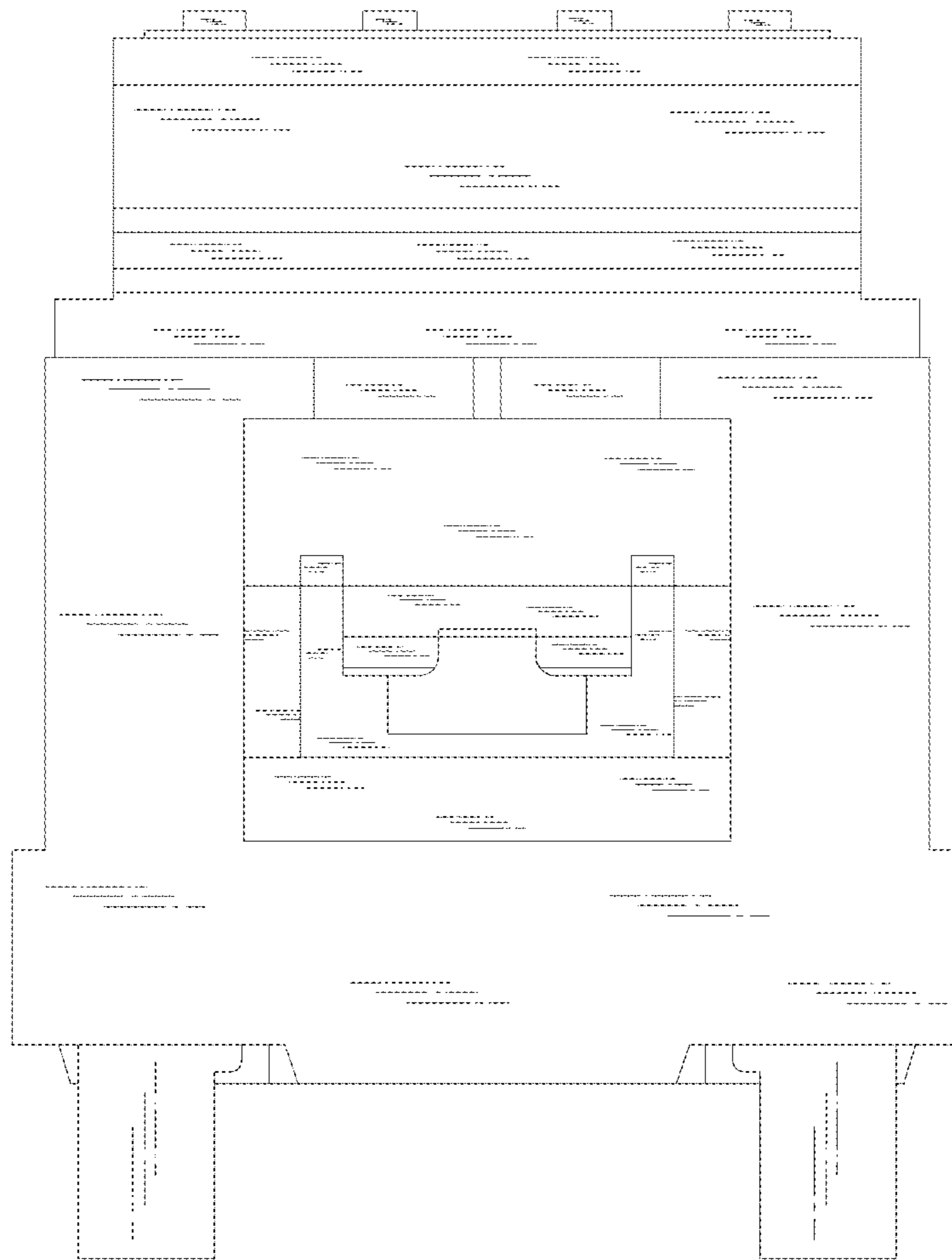


Fig. 3

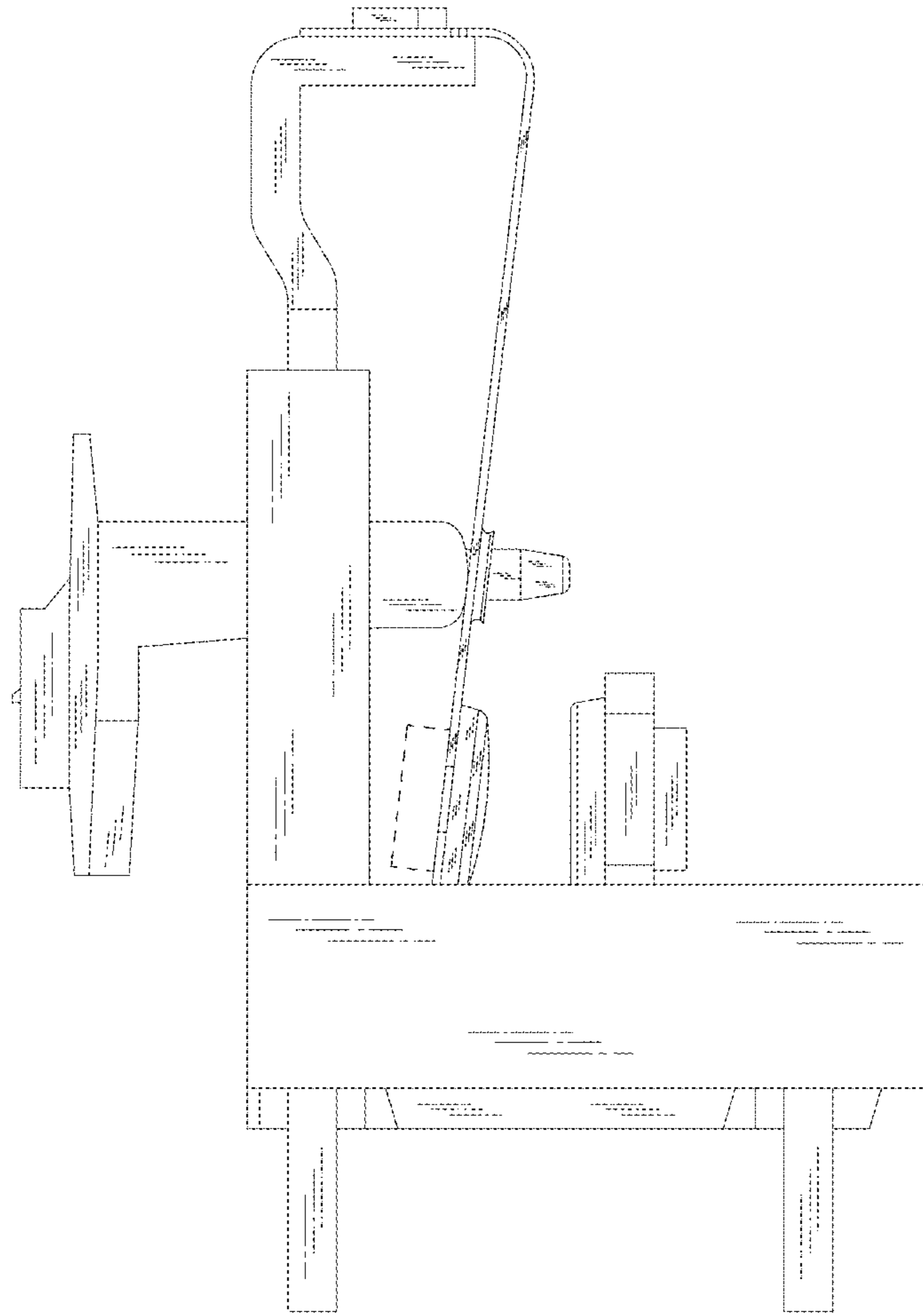


Fig. 4

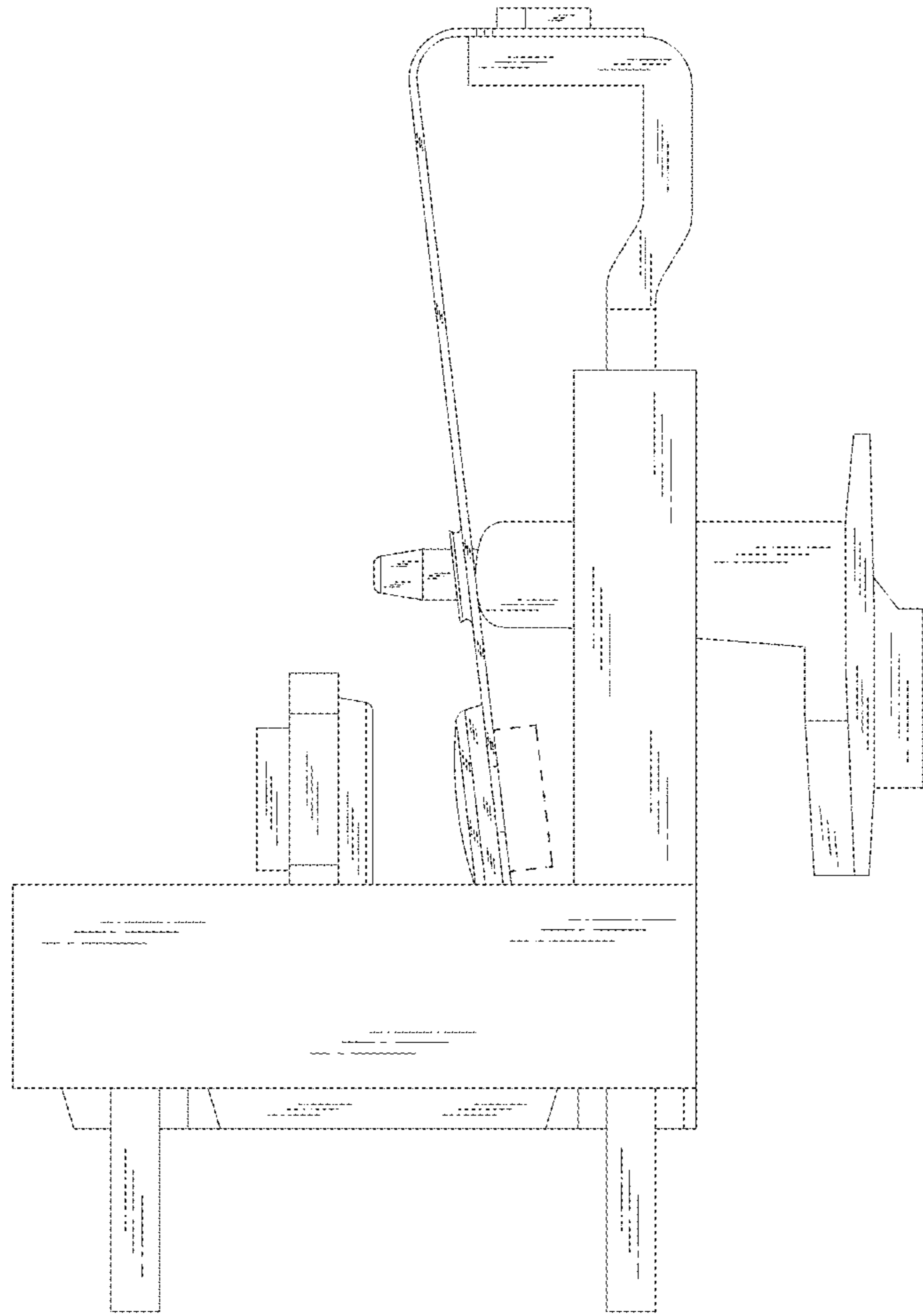


Fig. 5

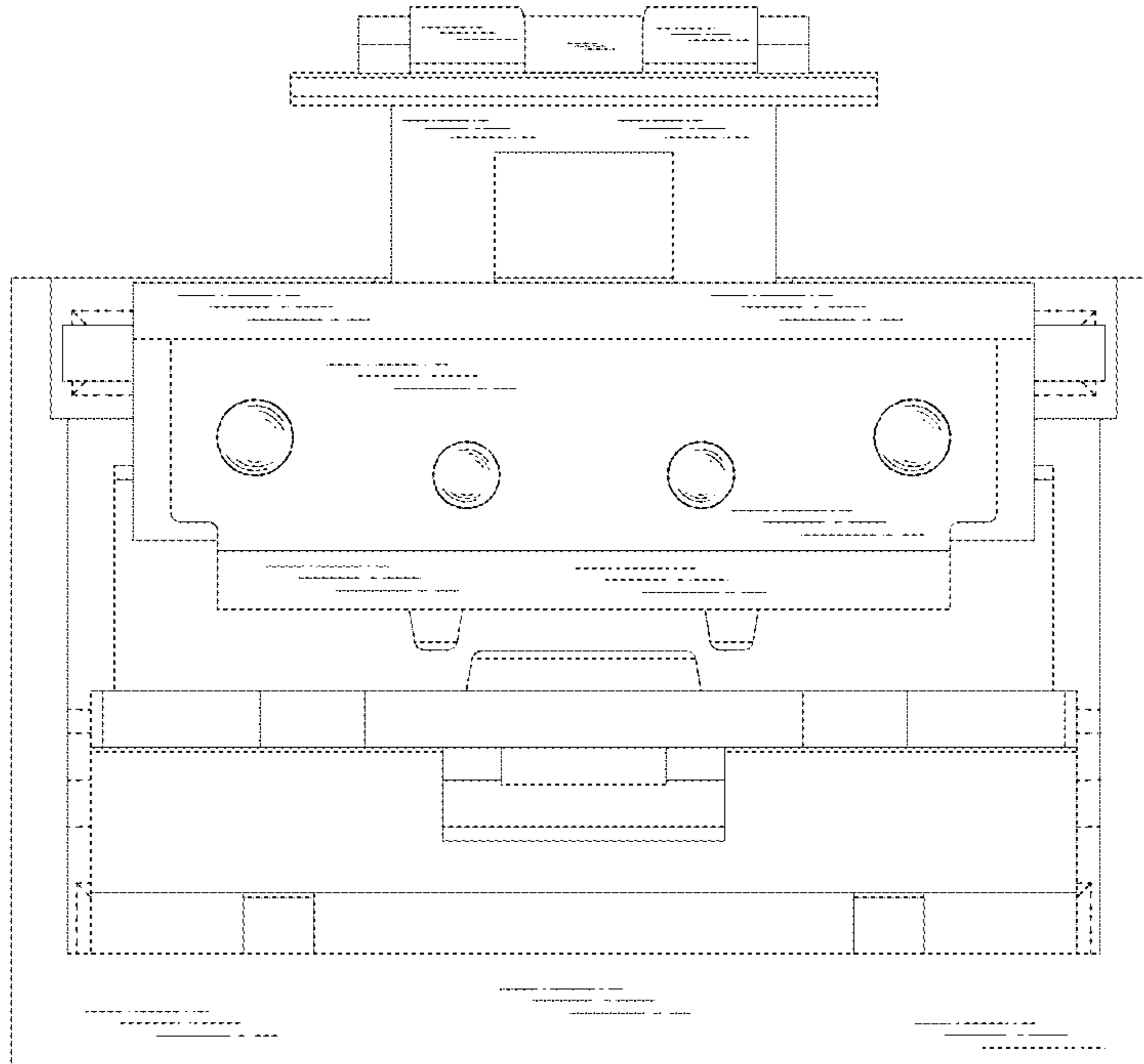


Fig. 6

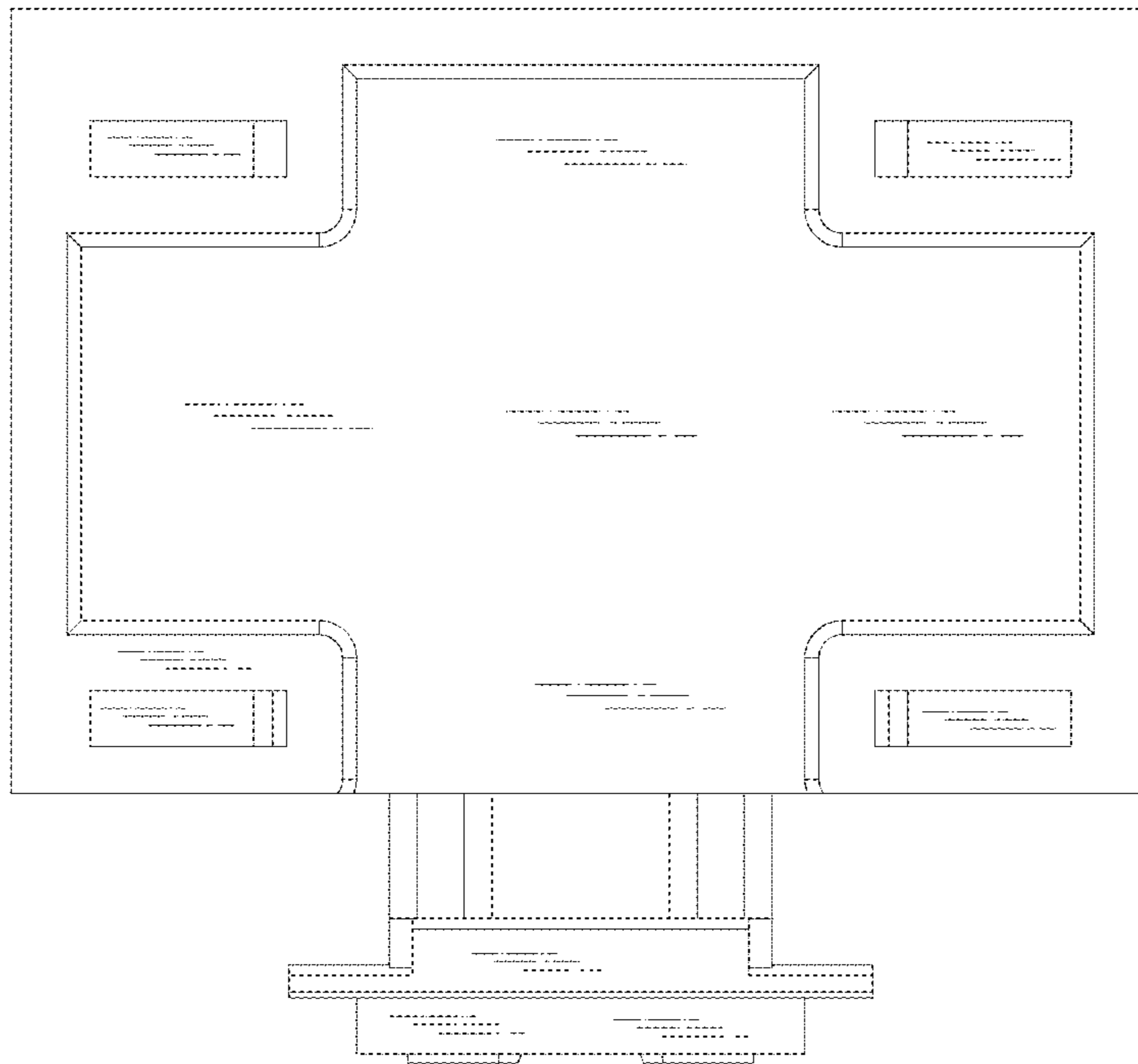


Fig. 7



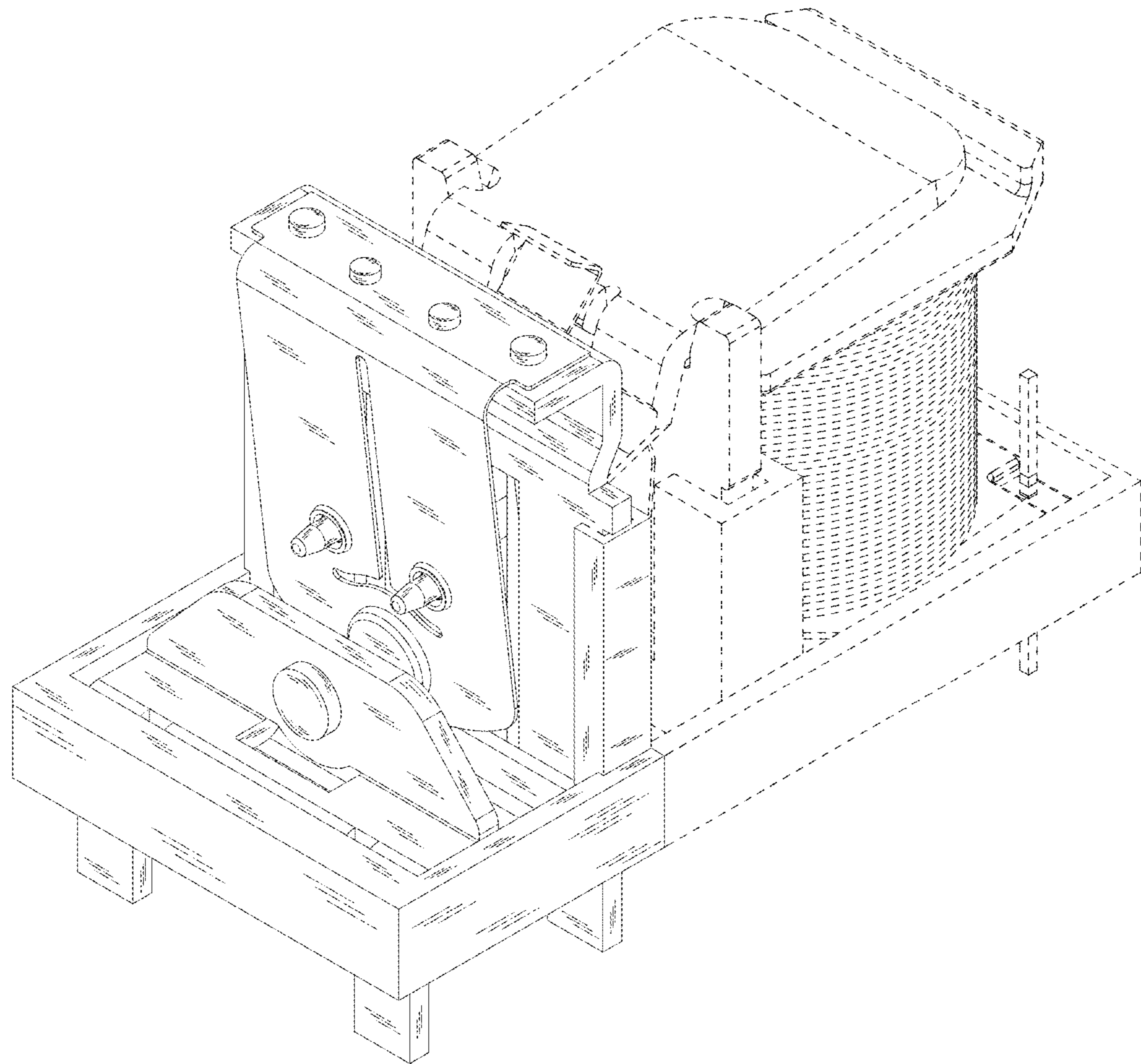


Fig. 8