



US00D951207S

(12) **United States Design Patent** (10) **Patent No.:** **US D951,207 S**
Donauer (45) **Date of Patent:** **** May 10, 2022**

(54) **SPRING LOADED CIRCUIT CONTACT PIN ASSEMBLY**

(71) Applicant: **DynaEnergetics Europe GmbH**, Troisdorf (DE)

(72) Inventor: **Benjamin Donauer**, Lohmar (DE)

(**) Term: **15 Years**

(21) Appl. No.: **29/738,784**

(22) Filed: **Jun. 19, 2020**

(51) **LOC (13) Cl.** **13-03**

(52) **U.S. Cl.**
USPC **D13/154**

(58) **Field of Classification Search**
USPC D13/101, 112, 118, 122, 133, 146, 147, D13/154, 184, 199; D8/349, 354
CPC H01H 71/08; F42C 11/06; F42C 15/34; F42C 19/06; H01R 13/52; H01R 13/73; H01R 13/187; H01R 13/422; H01R 13/2478; H01R 24/46; H01R 24/50
See application file for complete search history.

(56) **References Cited**

U.S. PATENT DOCUMENTS

D369,345 S *	4/1996	Burroughs	D13/133
D515,910 S *	2/2006	Gates	B60R 9/06
				D8/354

D594,415 S *	6/2009	Shitakata	D13/133
D642,548 S *	8/2011	Bowen, III	D13/183
D744,432 S *	12/2015	Kim	D13/154
D850,383 S *	6/2019	Kunieda	D13/133
D863,222 S *	10/2019	Kimmel	D13/133
2007/0020063 A1 *	1/2007	Thompson	F16B 37/14
				411/377
2014/0315427 A1 *	10/2014	Kunieda	H01R 13/7033
				439/578
2015/0133000 A1 *	5/2015	Kim	H01R 13/2428
				439/700
2021/0002981 A1	1/2021	Roessler		

* cited by examiner

Primary Examiner — Derrick E Holland

(74) *Attorney, Agent, or Firm* — Moyles IP, LLC

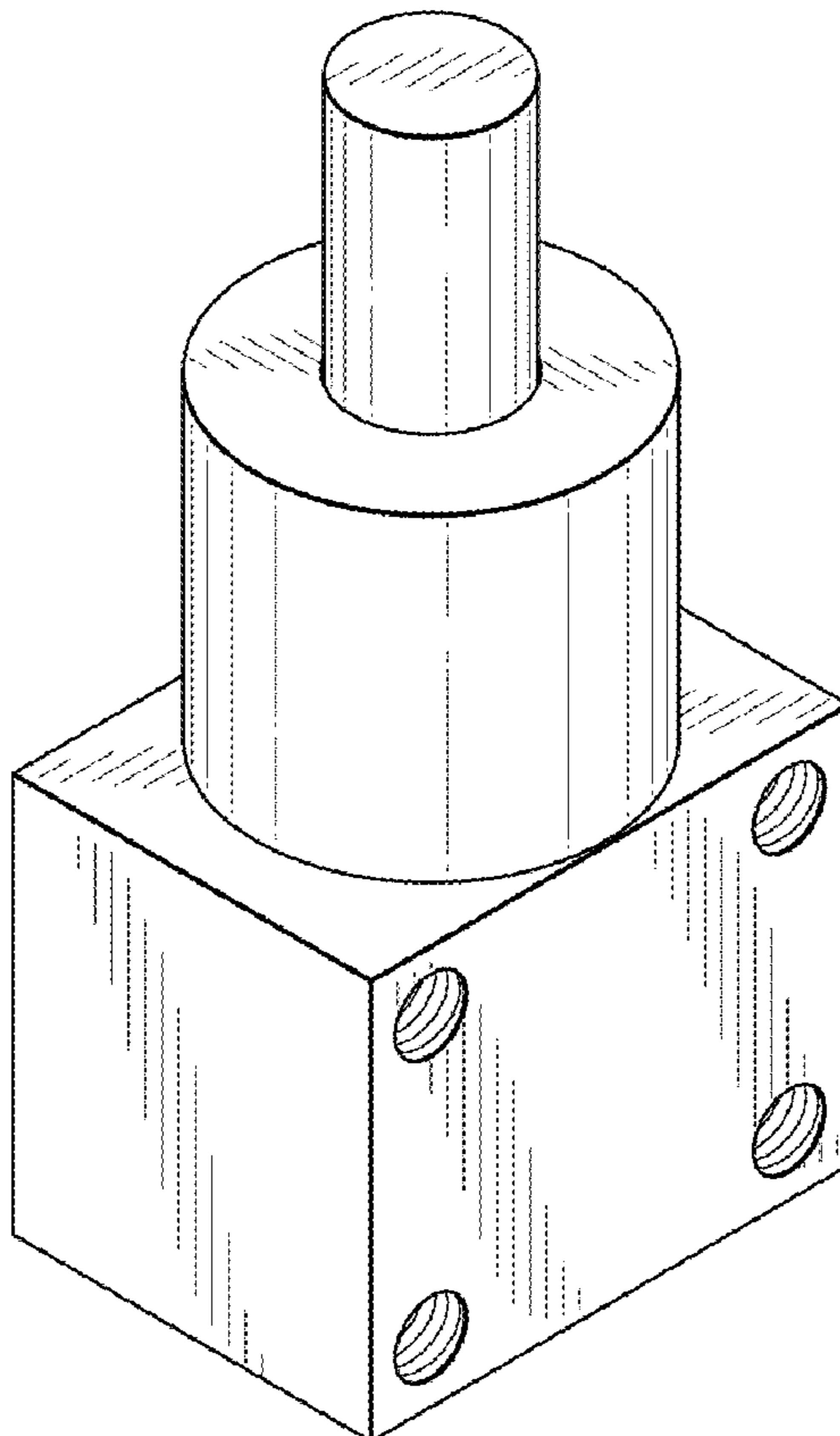
(57) **CLAIM**

I claim the ornamental design of a spring loaded circuit contact pin assembly, as shown and described.

DESCRIPTION

FIG. 1 is a top front perspective view of a spring loaded circuit contact pin assembly, showing my new design; FIG. 2 is a bottom and front perspective view thereof; FIG. 3 is a front elevation view thereof; FIG. 4 is a rear elevation view thereof; FIG. 5 is a left side elevation view thereof; FIG. 6 is a right side elevation view thereof; FIG. 7 is a top plan view thereof; and, FIG. 8 is a bottom plan view thereof.

1 Claim, 4 Drawing Sheets



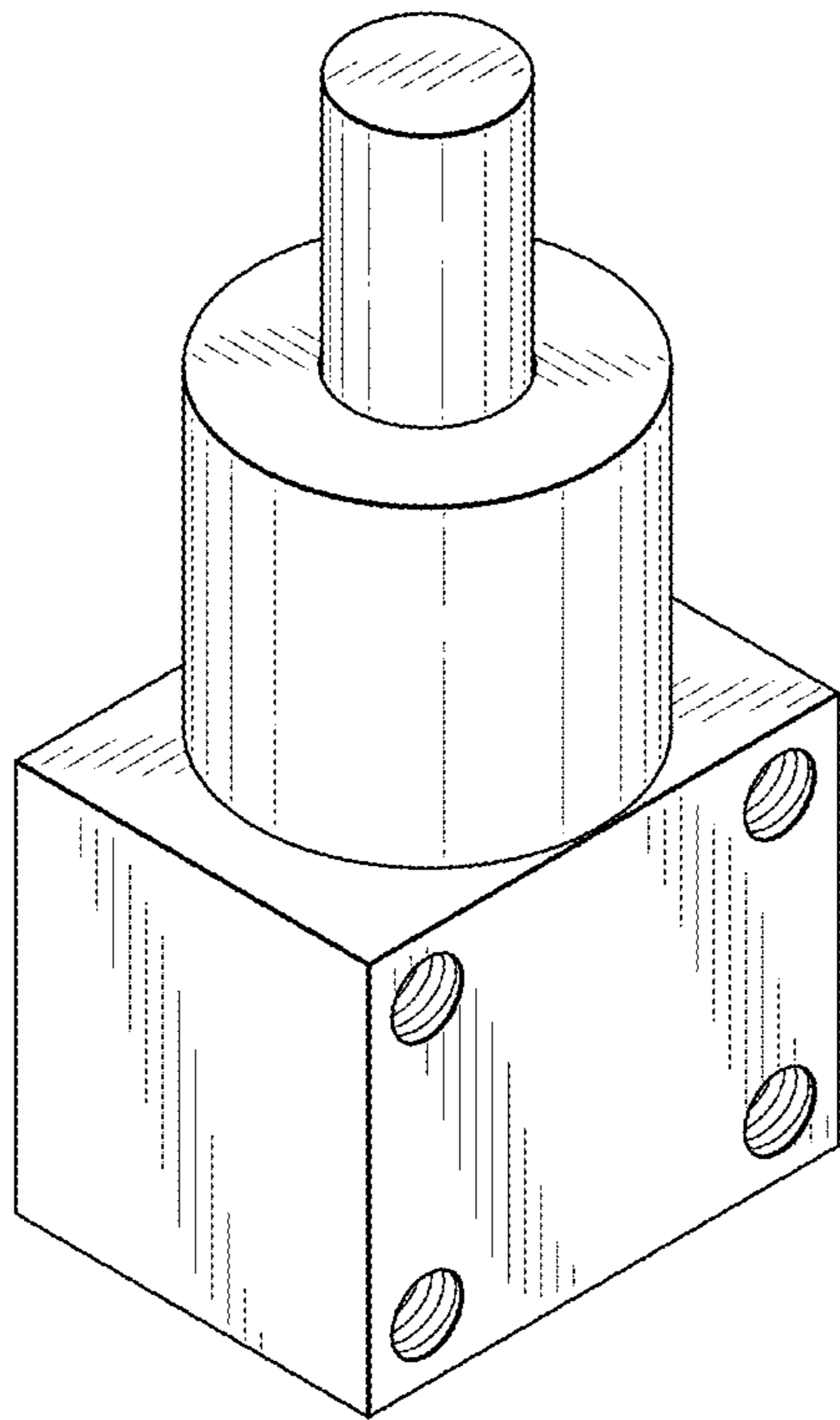


FIG. 1

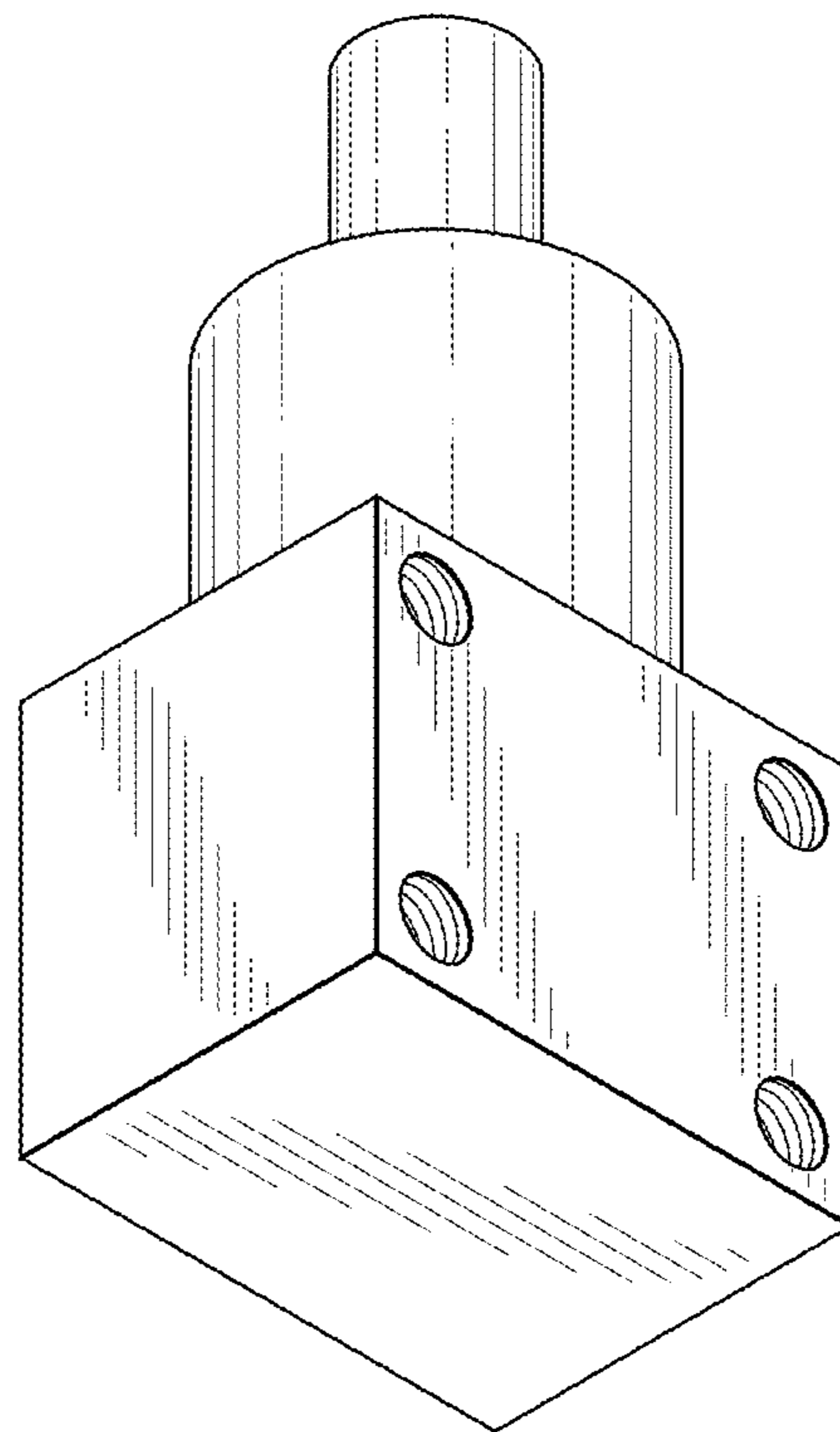


FIG. 2

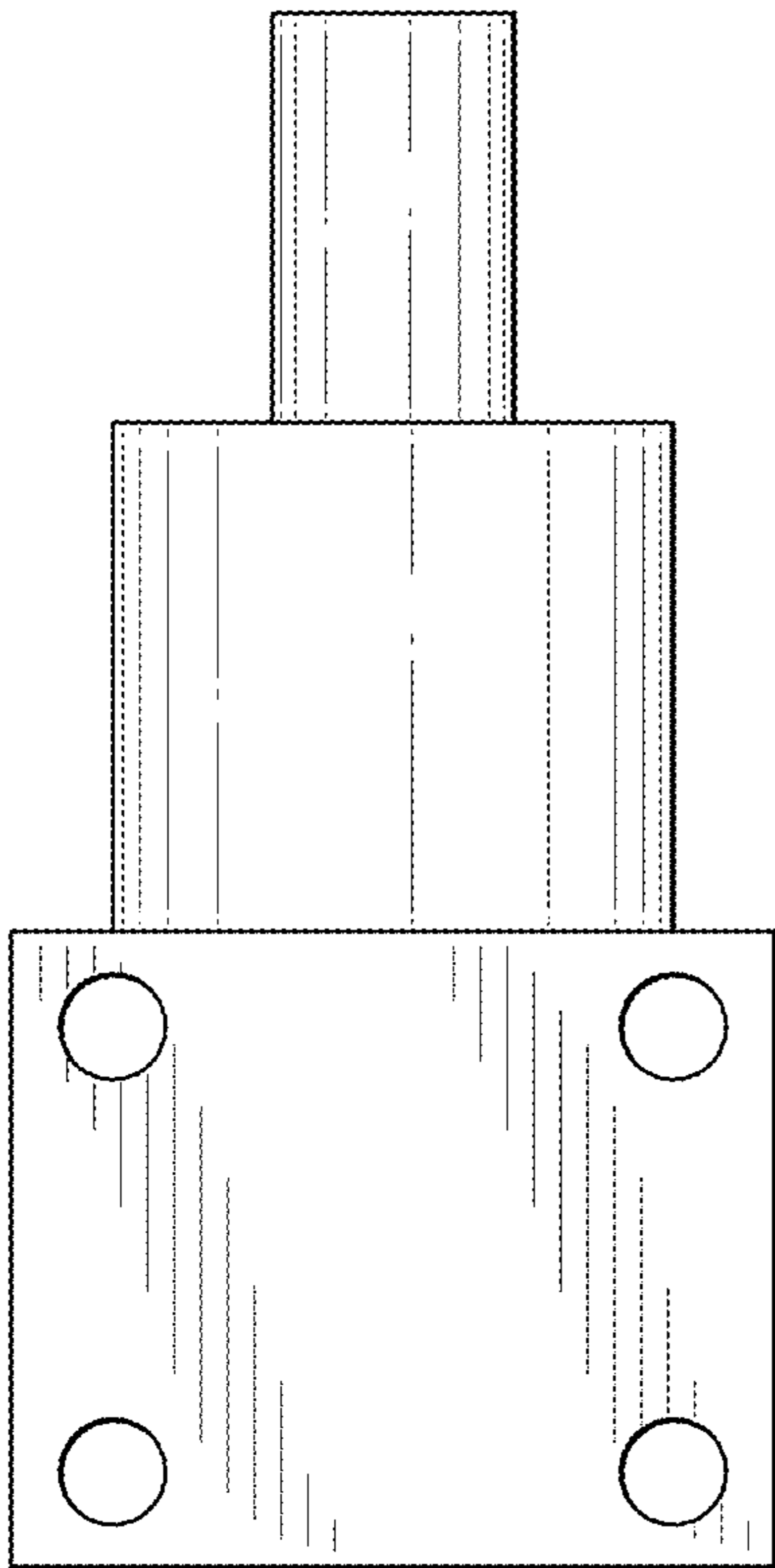


FIG. 3

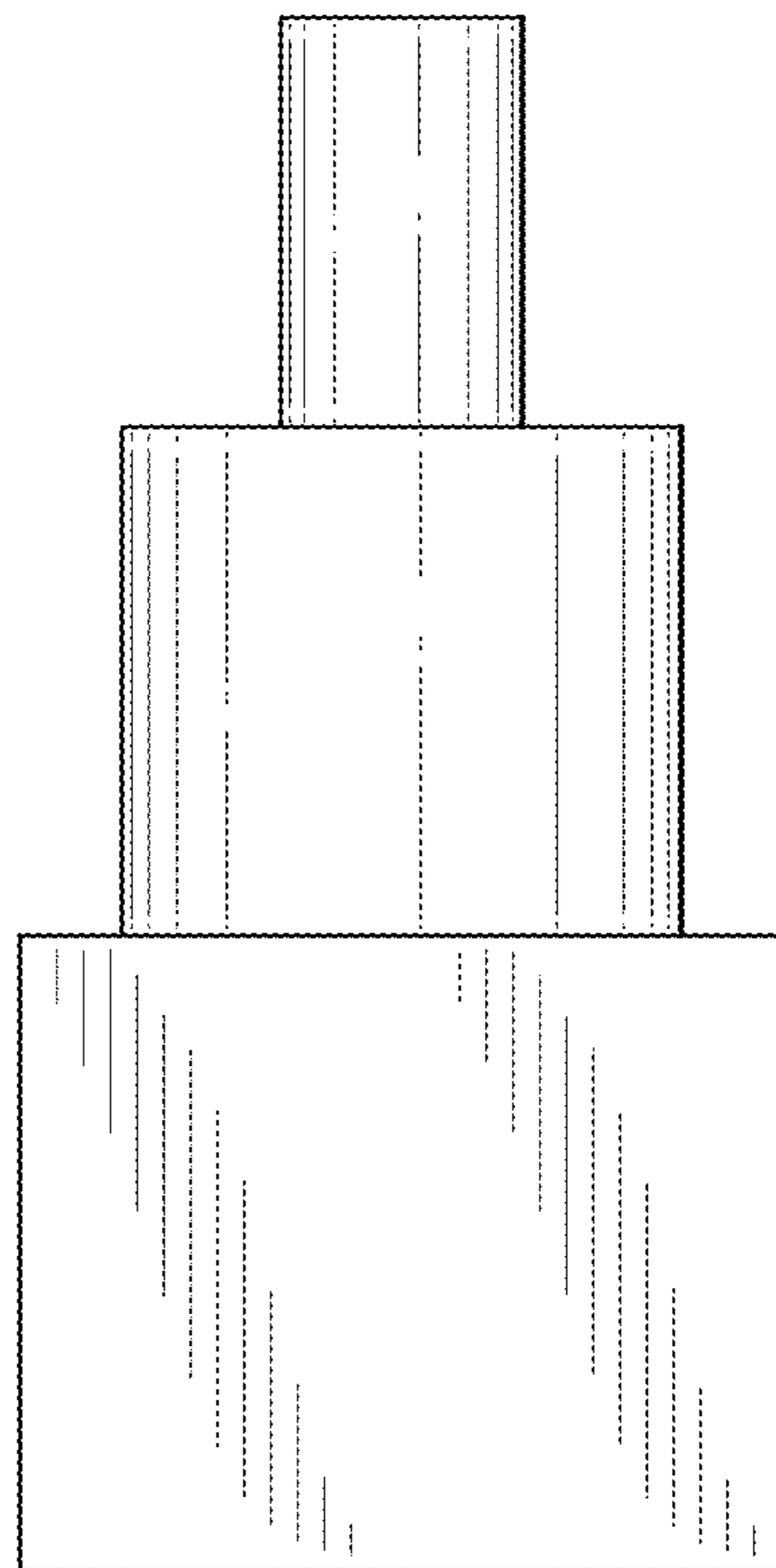


FIG. 4

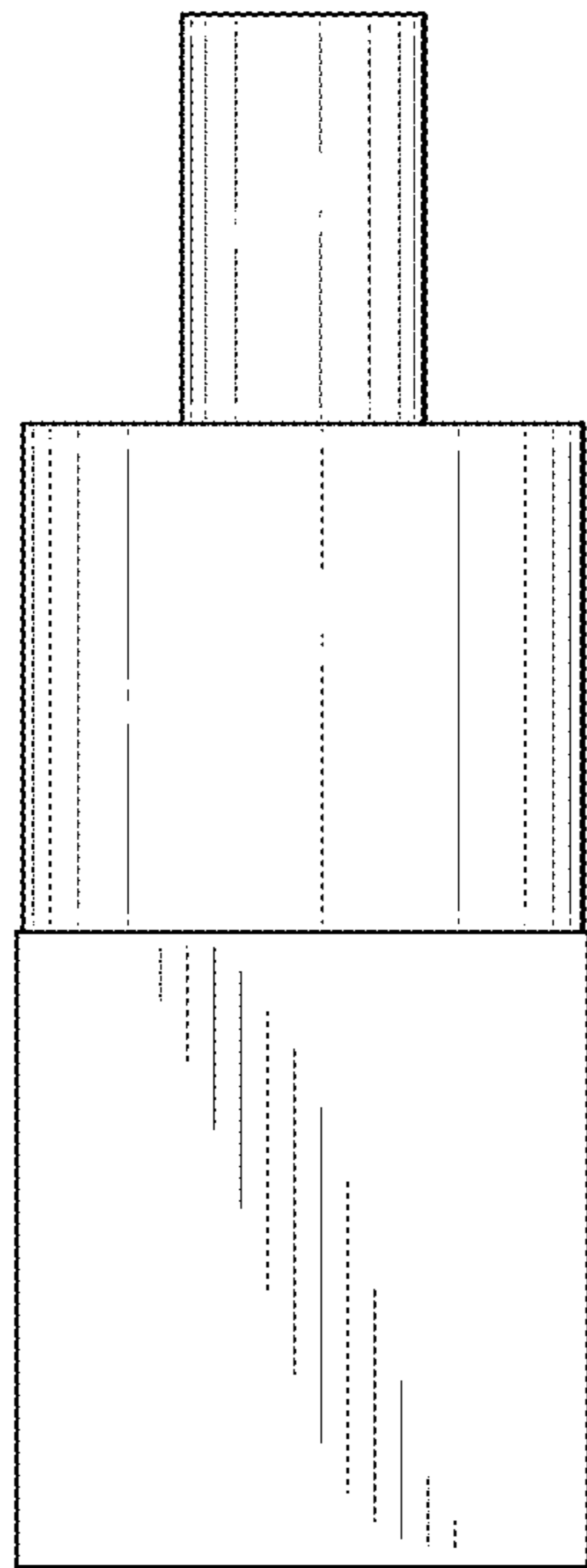


FIG. 5

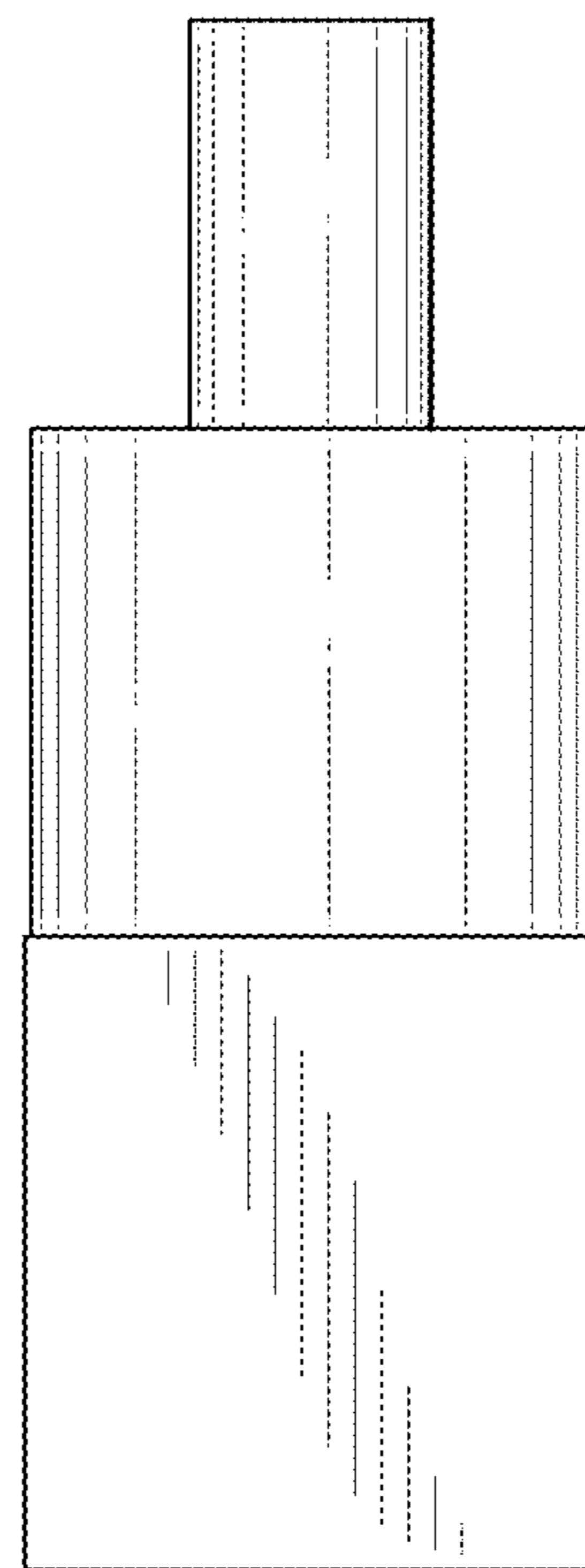


FIG. 6

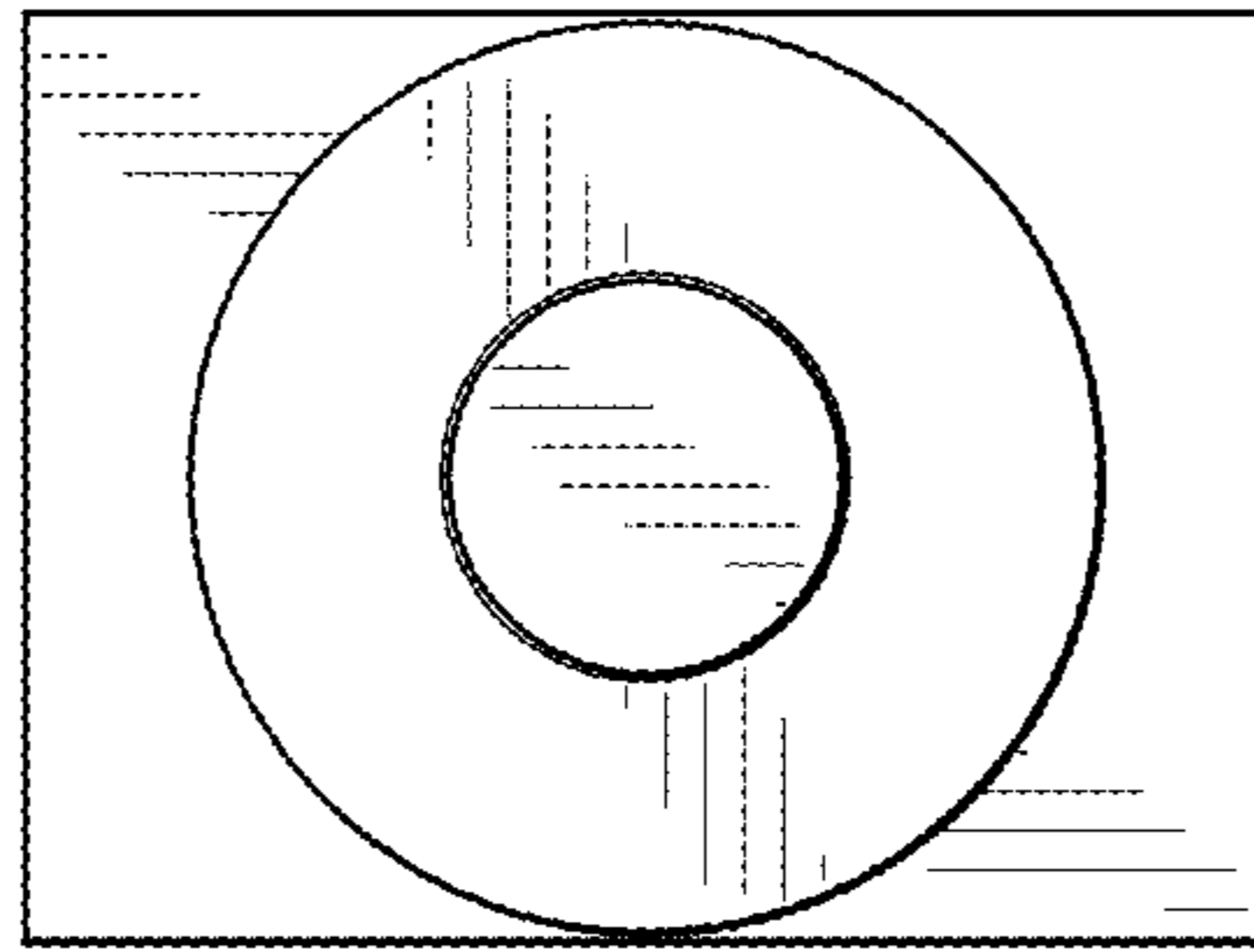


FIG. 7

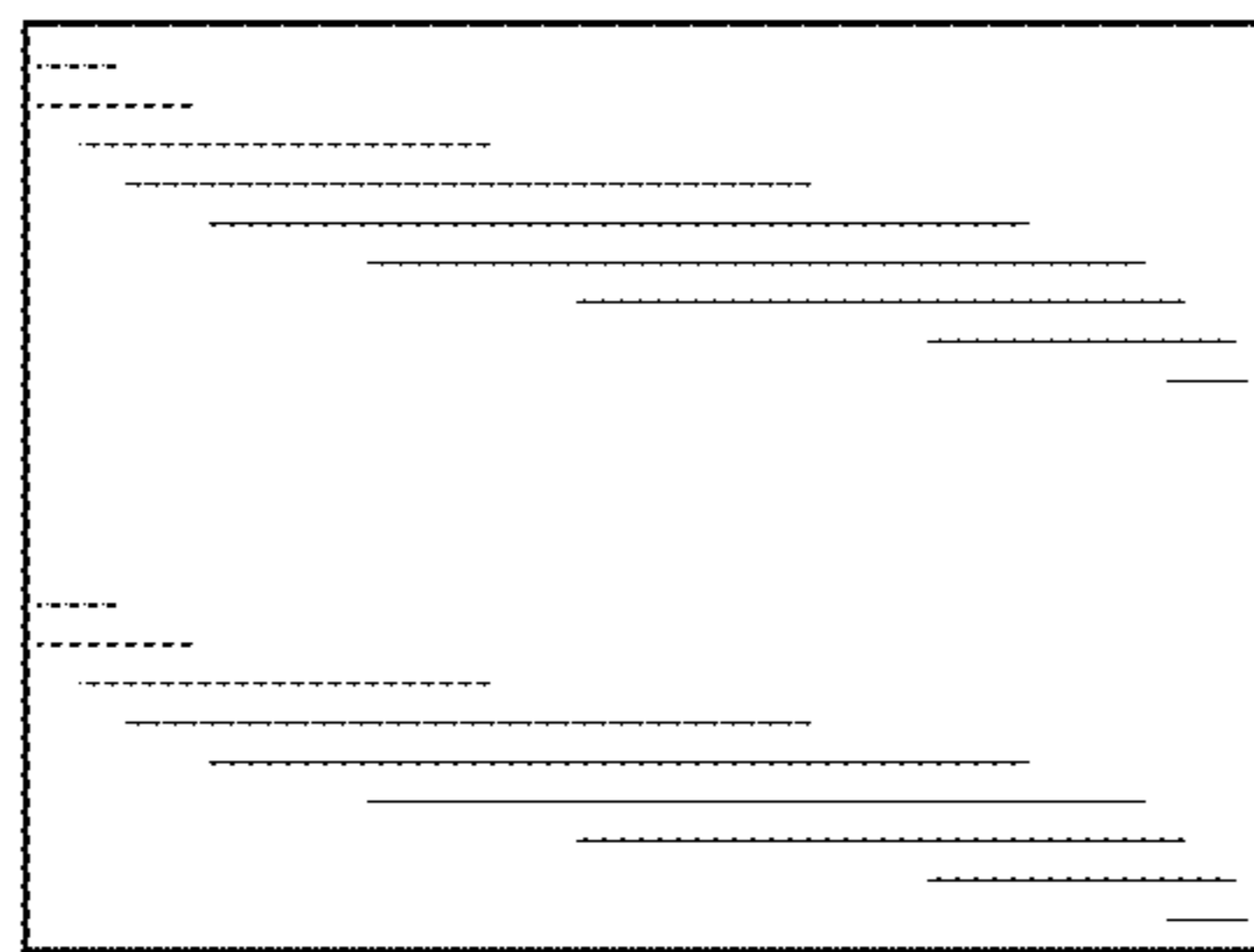


FIG. 8