



US00D951203S

(12) **United States Design Patent** (10) **Patent No.:** **US D951,203 S**  
**Kim** (45) **Date of Patent:** **\*\* May 10, 2022**

(54) **CONNECTOR**

(71) Applicant: **LS MTRON LTD.**, Anyang-si (KR)

(72) Inventor: **Dong Wan Kim**, Anyang-si (KR)

(73) Assignee: **LS MTRON LTD.**, Anyang-si (KR)

(\*\*) Term: **15 Years**

(21) Appl. No.: **29/740,948**

(22) Filed: **Jul. 8, 2020**

(30) **Foreign Application Priority Data**

Feb. 25, 2020 (KR) ..... 30-2020-0008219

(51) **LOC (13) Cl.** ..... **13-03**

(52) **U.S. Cl.**  
USPC ..... **D13/147**

(58) **Field of Classification Search**  
USPC ..... D13/110, 118, 120, 123, 133, 146, 147,  
D13/149, 154, 156, 158, 159, 184, 199;  
D14/433, 438, 439  
CPC ..... H01R 13/52; H01R 13/62; H01R 13/502;  
H01R 13/514; H01R 13/639; H01R  
13/6272; H01R 13/6275; H01R 13/6278;  
H01R 13/6471; H01R 12/52; H01R  
12/53; H01R 12/515; H01R 12/585;  
H01R 12/716; H01R 12/7005; H05K  
1/18; H05K 5/0256

See application file for complete search history.

(56) **References Cited**

**U.S. PATENT DOCUMENTS**

6,805,562 B2 \* 10/2004 Liao ..... H01R 43/26  
439/330  
7,628,634 B2 \* 12/2009 Yeh ..... H01R 12/7047  
439/331

D631,012 S \* 1/2011 Denpouya ..... D13/133  
D642,129 S \* 7/2011 Ohkuma ..... D13/133  
D695,684 S \* 12/2013 Lee ..... D13/133  
2007/0123088 A1 \* 5/2007 Denpouya ..... H01R 13/629  
439/329

\* cited by examiner

*Primary Examiner* — Derrick E Holland

(74) *Attorney, Agent, or Firm* — K&L Gates LLP

(57) **CLAIM**

The ornamental design for a connector, as shown and described.

**DESCRIPTION**

FIG. 1 is a perspective view of a connector showing the new design;

FIG. 2 is a front view thereof;

FIG. 3 is a rear view thereof based on FIG. 2;

FIG. 4 is a left-side view thereof based on FIG. 2;

FIG. 5 is a right-side view thereof based on FIG. 2;

FIG. 6 is a top view thereof based on FIG. 2;

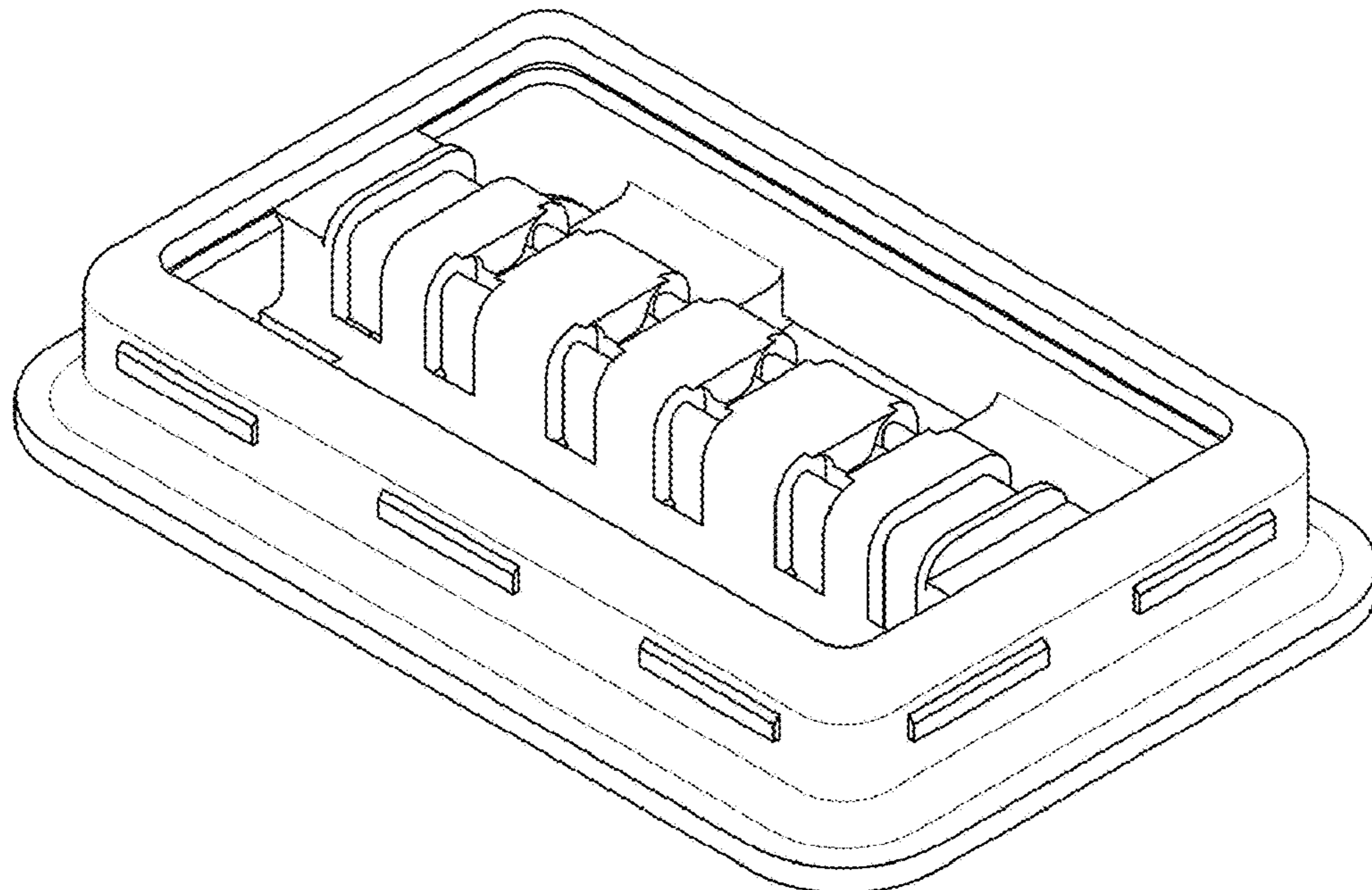
FIG. 7 is a bottom view thereof based on FIG. 2;

FIG. 8 is a use state illustrative view of a plug connector in which a contact is coupled to the subject design; and,

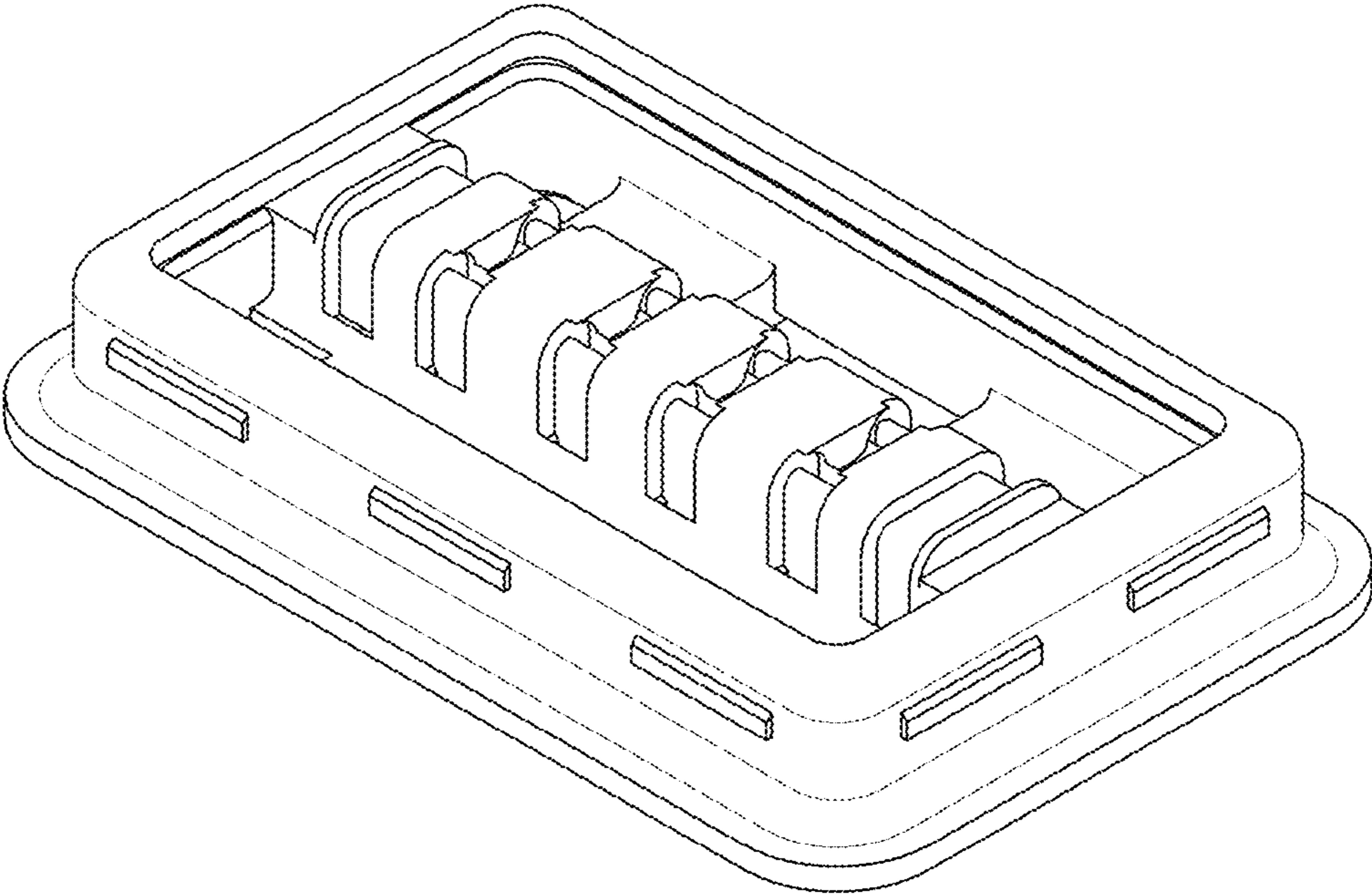
FIG. 9 is a use state illustrative view of the subject design before being inserted into a receptacle connector as a plug connector.

The broken lines shown represent environmental subject matter and form no part of the claimed design.

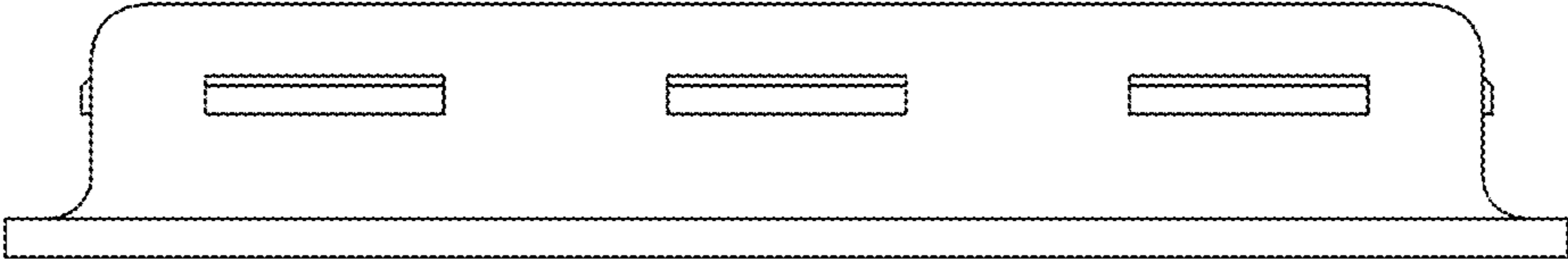
**1 Claim, 5 Drawing Sheets**



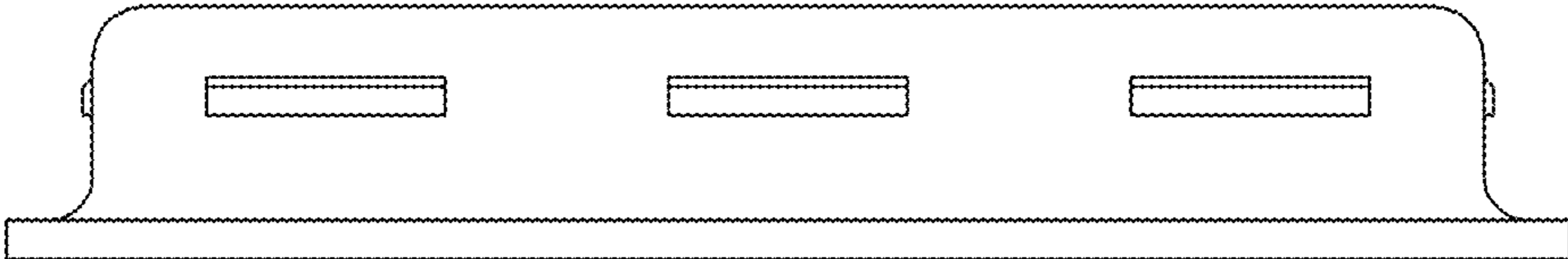
**[FIG. 1]**



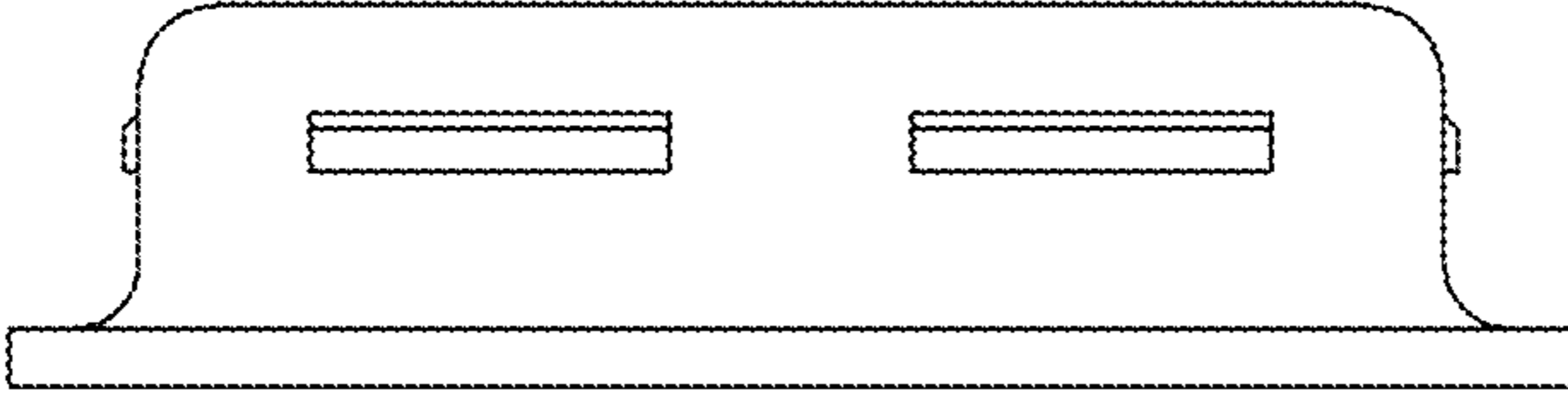
**[FIG. 2]**



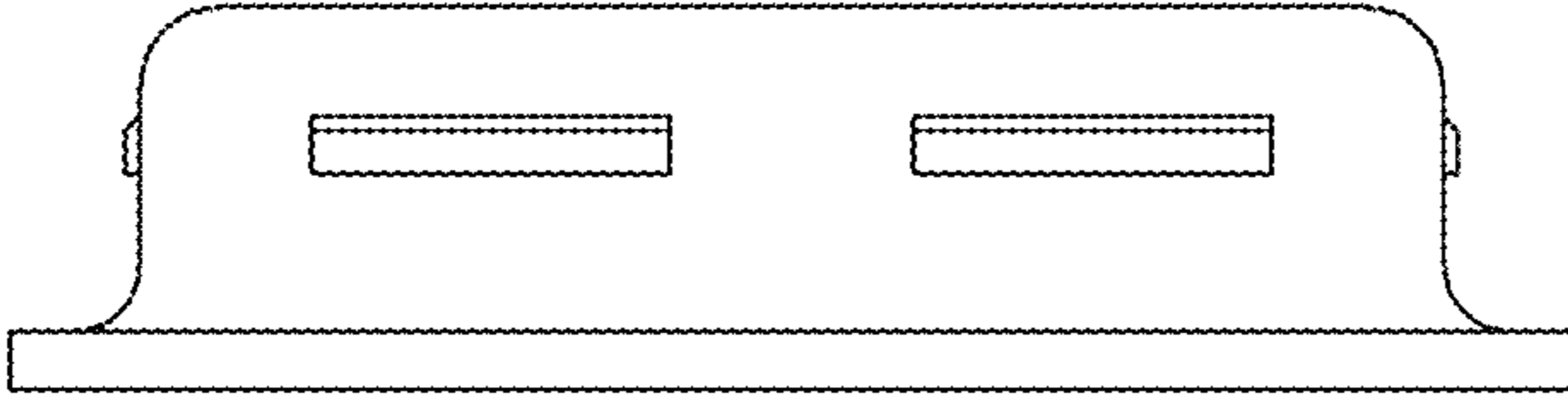
**[FIG. 3]**



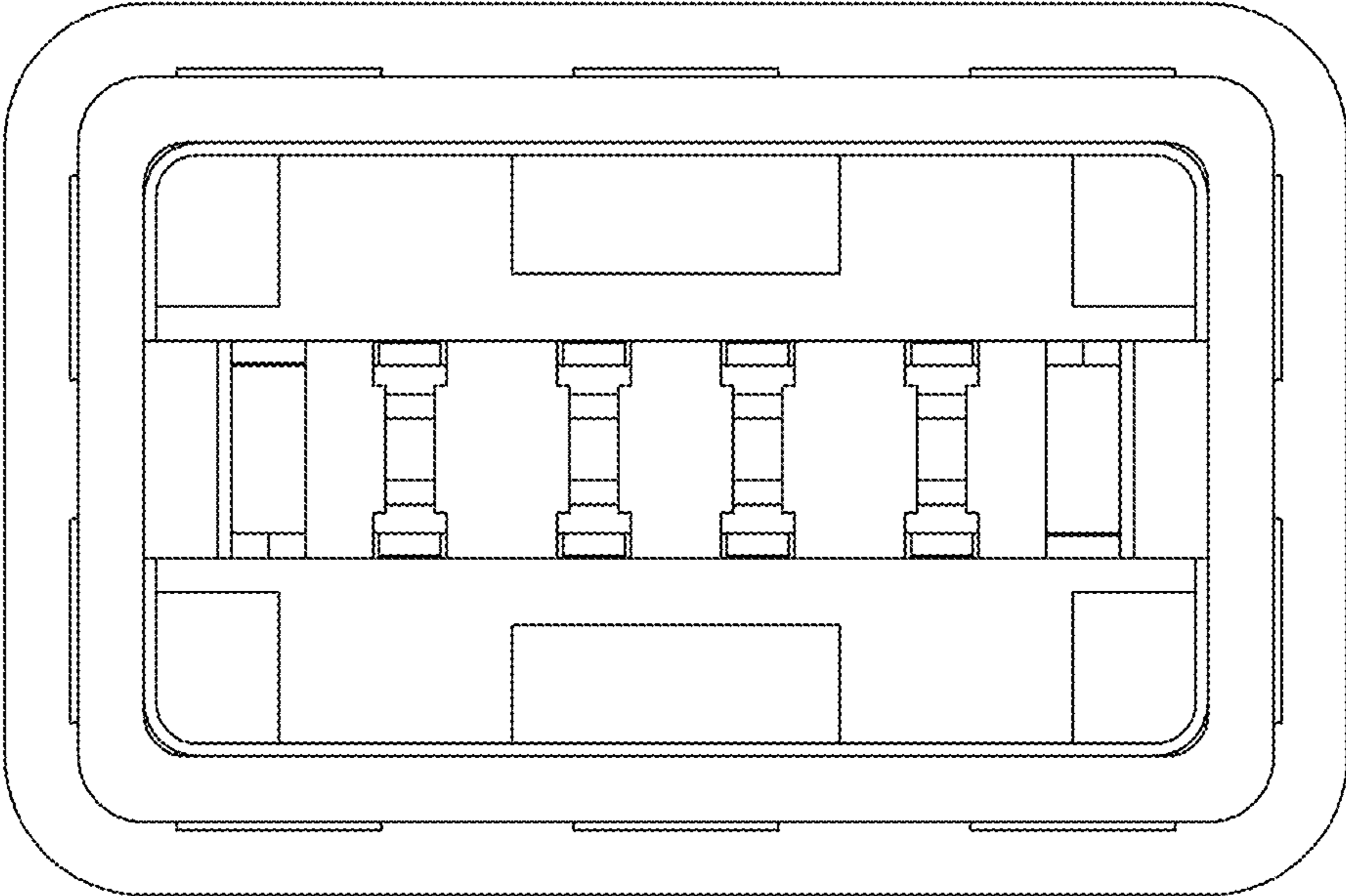
[FIG. 4]



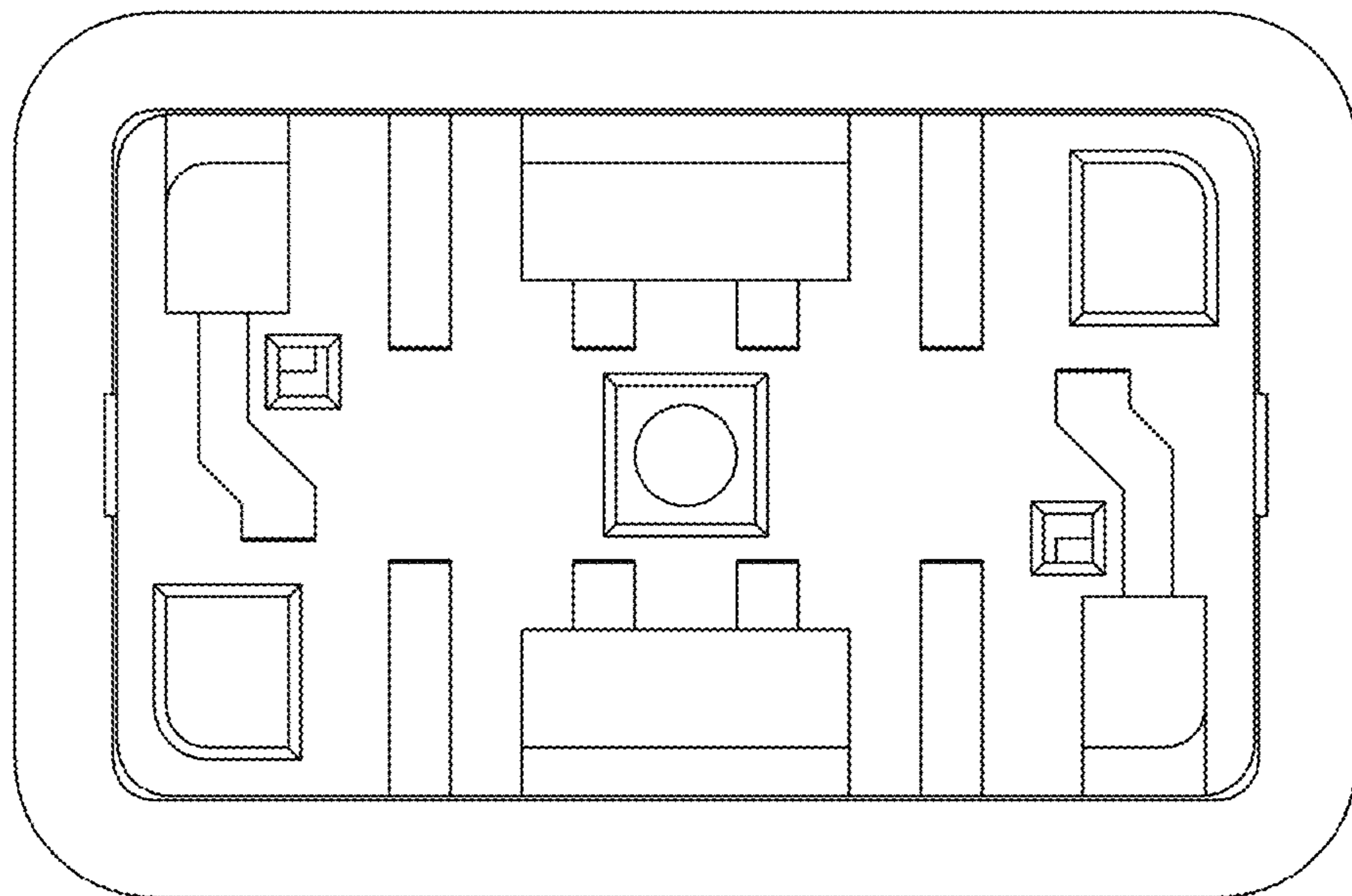
[FIG. 5]



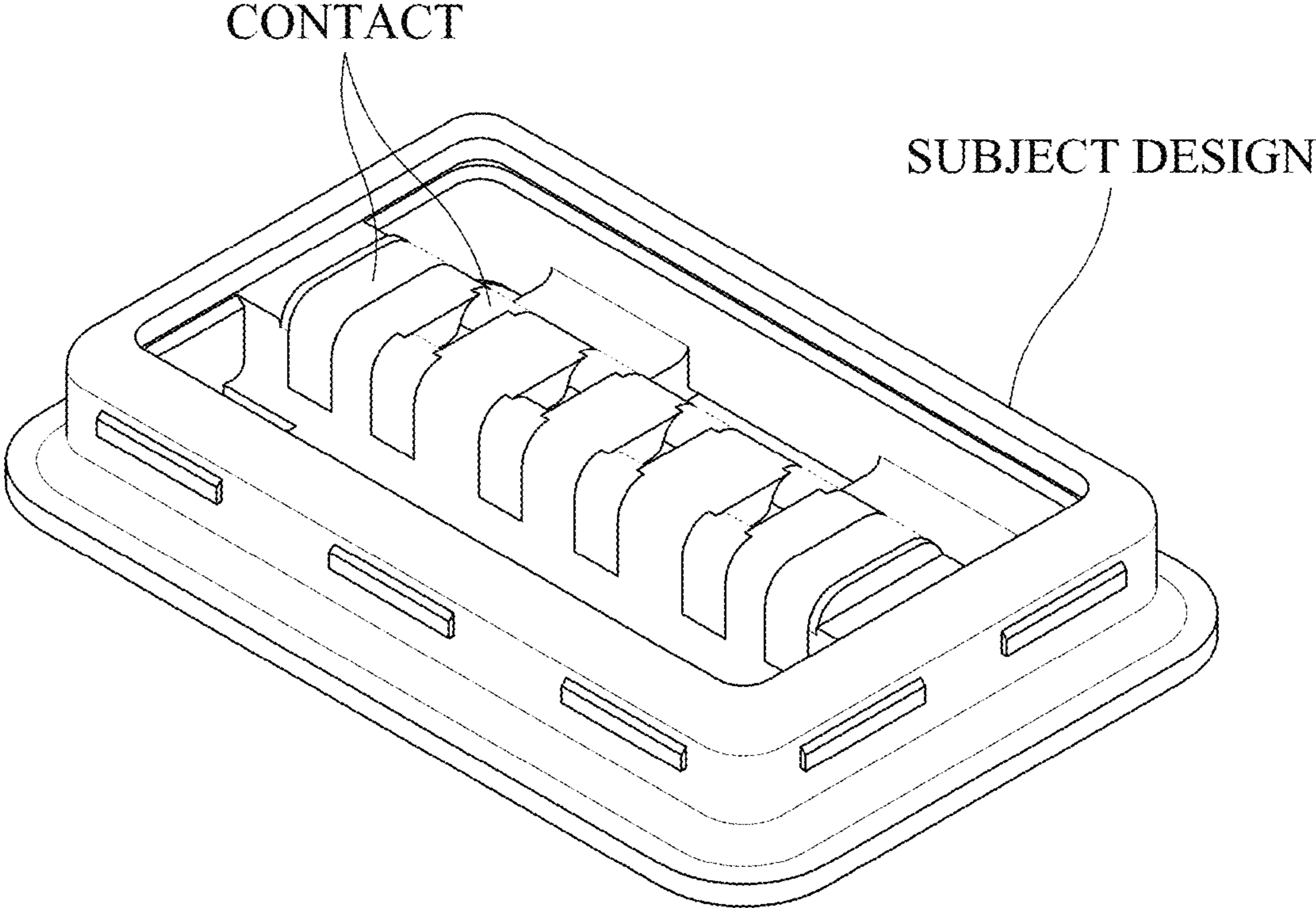
[FIG. 6]



**[FIG. 7]**



[FIG. 8]



[FIG. 9]

