



US00D951201S

(12) **United States Design Patent** (10) **Patent No.:** **US D951,201 S**
Drasner et al. (45) **Date of Patent:** **** May 10, 2022**

- (54) **ELECTRONIC CONNECTOR**
- (71) Applicant: **WABCO Europe BVBA**, Brussels (BE)
- (72) Inventors: **Danny Drasner**, Garbsen (DE);
Wojciech Grychowicz, Długołęka (PL);
Pawel Osinski, Wrocław (PL); **Ulrich Overhage**, Garbsen (DE)
- (73) Assignee: **WABCO Europe BVBA**, Brussels (BE)
- (**) Term: **15 Years**
- (21) Appl. No.: **29/752,537**
- (22) Filed: **Sep. 28, 2020**

Related U.S. Application Data

- (62) Division of application No. 29/679,323, filed on Feb. 5, 2019.

(30) **Foreign Application Priority Data**

Aug. 23, 2018 (EM) 005618089

- (51) **LOC (13) Cl.** **13-03**

- (52) **U.S. Cl.**
USPC **D13/146**

- (58) **Field of Classification Search**

USPC D13/133, 146, 147, 154, 184, 199, 123,
D13/149

CPC H01R 13/02; H01R 13/08; H01R 13/28;
H01R 13/436; H01R 13/502; H01R
13/504; H01R 13/506; H01R 13/62;
H01R 13/64; H01R 13/641; H01R
13/6625; H01R 13/73; H01R 4/48; H01R
13/00; H01R 13/42; H01R 13/422; H01R
13/518; H01R 13/627; H01R 13/648;
H01R 25/00

See application file for complete search history.

(56) **References Cited**

U.S. PATENT DOCUMENTS

D275,848 S	10/1984	Ricossa	
D312,447 S *	11/1990	Esslinger	D13/133
D524,751 S	7/2006	Lee	
D543,149 S	5/2007	Huang	
D556,142 S	11/2007	Kudo	
D556,688 S *	12/2007	Shogaki	D13/133
D559,187 S	1/2008	Hayashi	
D564,966 S	3/2008	Shifris	
D608,285 S	1/2010	Sato	

(Continued)

Primary Examiner — Shawn T Gingrich

(74) *Attorney, Agent, or Firm* — Dickinson Wright PLLC

(57) **CLAIM**

The ornamental design for an electronic connector, as shown and described.

DESCRIPTION

FIG. 1 is a perspective view of the electronic connector in a first embodiment;

FIG. 2 is a top view thereof;

FIG. 3 is a bottom view thereof;

FIG. 4 is a left side view thereof;

FIG. 5 is a right side view thereof;

FIG. 6 is a front view thereof;

FIG. 7 is a rear view thereof;

FIG. 8 is a perspective view of the electronic connector in a second embodiment;

FIG. 9 is a top view thereof;

FIG. 10 is a bottom view thereof;

FIG. 11 is a left side view thereof;

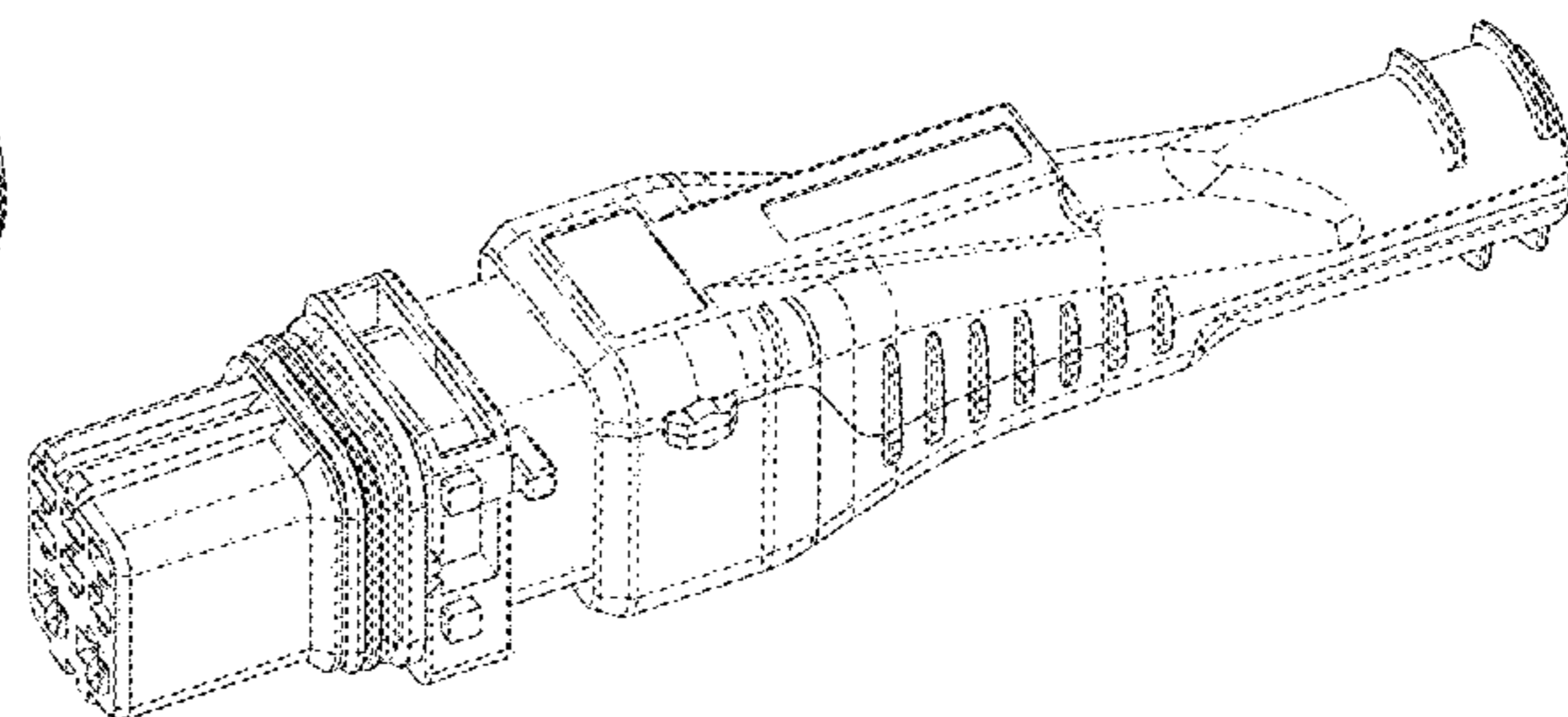
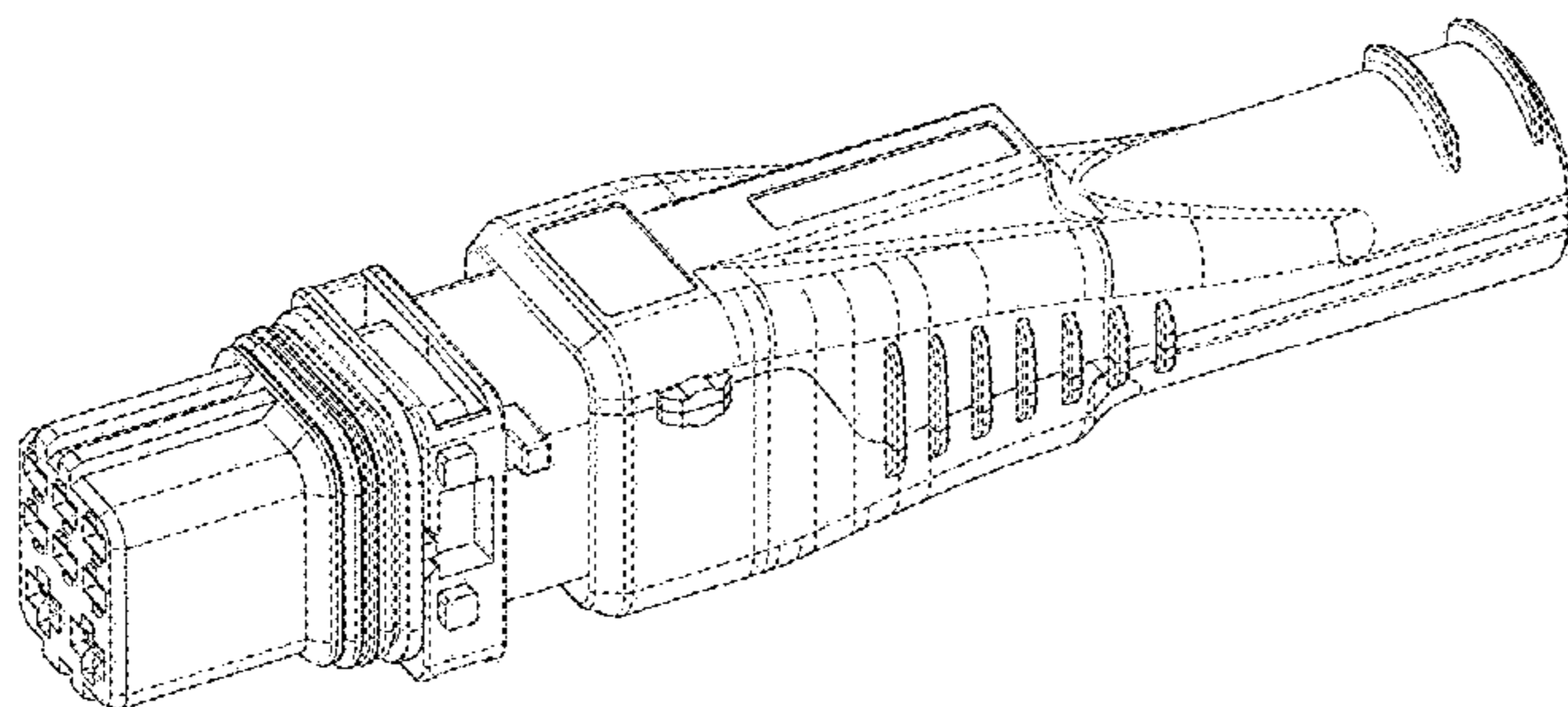
FIG. 12 is a right side view thereof;

FIG. 13 is a front view thereof; and,

FIG. 14 is a rear view thereof.

The broken lines in the drawings illustrate portions of the electronic connector that form no part of the claimed design.

1 Claim, 8 Drawing Sheets



(56)

References Cited

U.S. PATENT DOCUMENTS

D611,425	S	3/2010	Aldridge	
D626,068	S *	10/2010	Giefers	D13/133
D626,506	S *	11/2010	Giefers	D13/133
D628,158	S	11/2010	Skidmore	
D630,585	S	1/2011	Sakamoto	
D651,567	S *	1/2012	Hodge	D13/133
D662,892	S *	7/2012	Giefers	D13/151
D670,650	S	11/2012	Ebihara	
D674,347	S	1/2013	Shifris	
D677,626	S	3/2013	Dobler	
D677,627	S	3/2013	Dobler	
D684,537	S *	6/2013	Herink	D13/133
D691,560	S	10/2013	Wang	
D750,258	S *	2/2016	Crossley	D24/170
D750,562	S	3/2016	Makimura	
9,318,836	B2	4/2016	Yagi	
D800,069	S *	10/2017	Maskaly	D13/146
D839,194	S	1/2019	Wardenburg	
D870,673	S *	12/2019	Obata	D13/147
D873,220	S	1/2020	Ishiguro	
D873,773	S	1/2020	Cao	
D873,774	S	1/2020	Cao	
D879,039	S	3/2020	Wu	
D894,836	S *	9/2020	Obata	D13/146
2009/0004917	A1 *	1/2009	Ice	H01R 13/648 439/607.41
2011/0028038	A1 *	2/2011	Luo	H01R 13/648 439/607.58

* cited by examiner

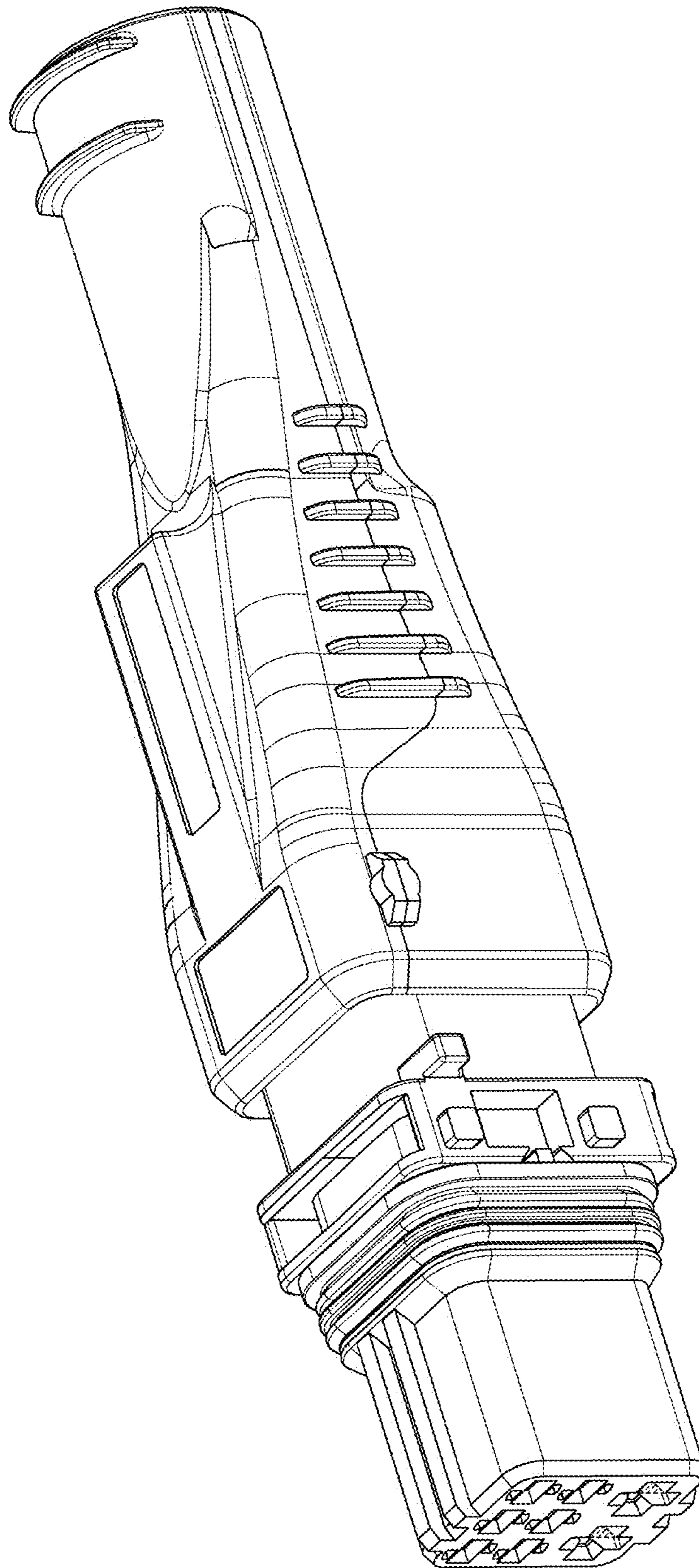


Fig. 1

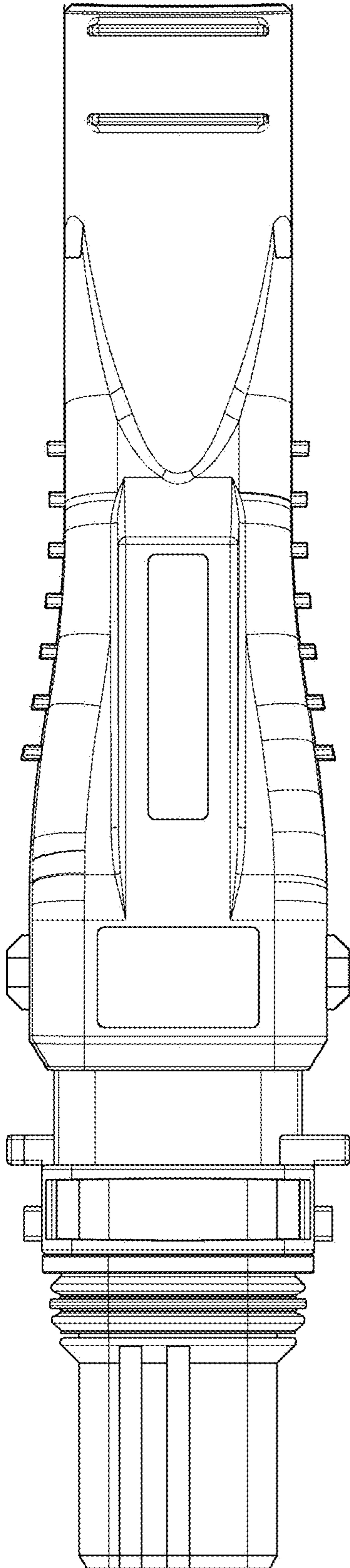


Fig. 2

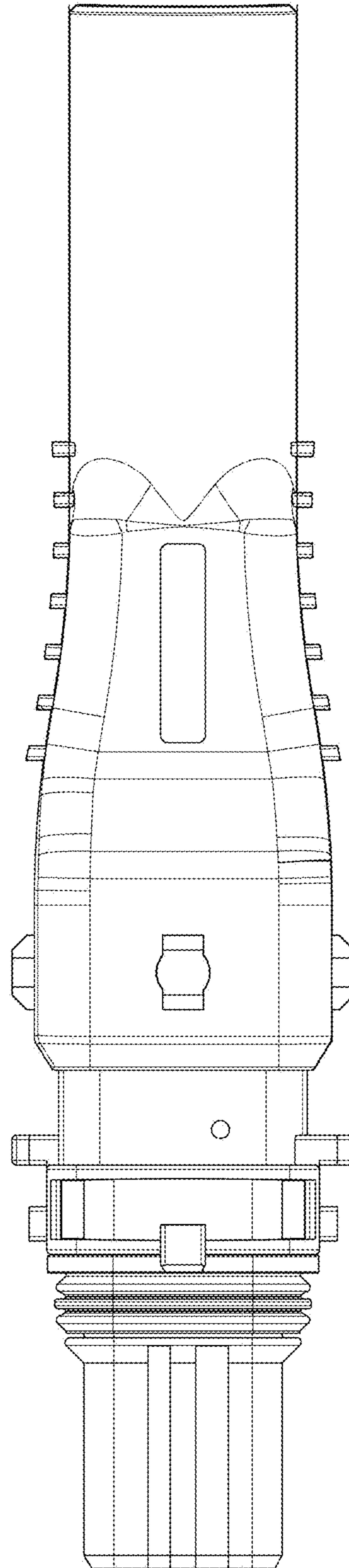


Fig. 3

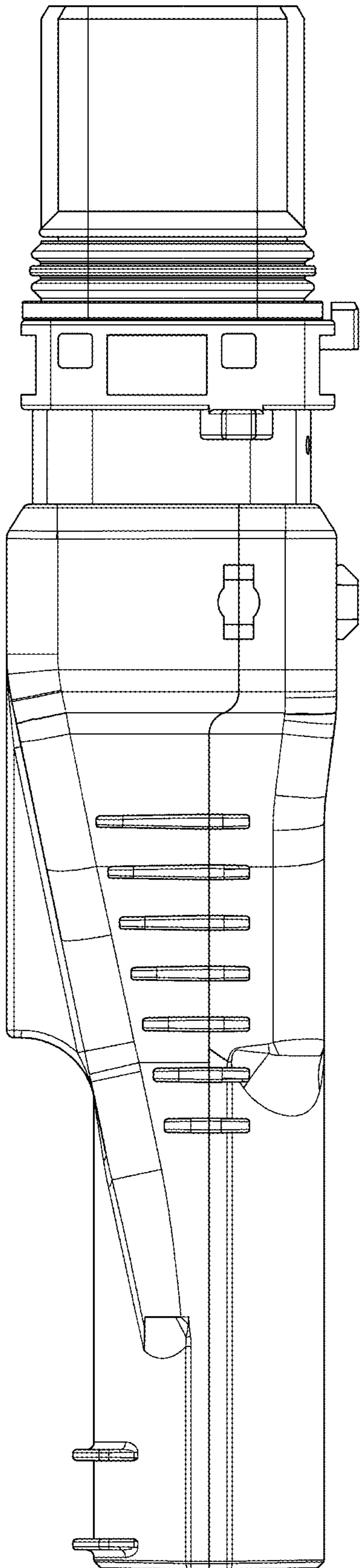


Fig. 4

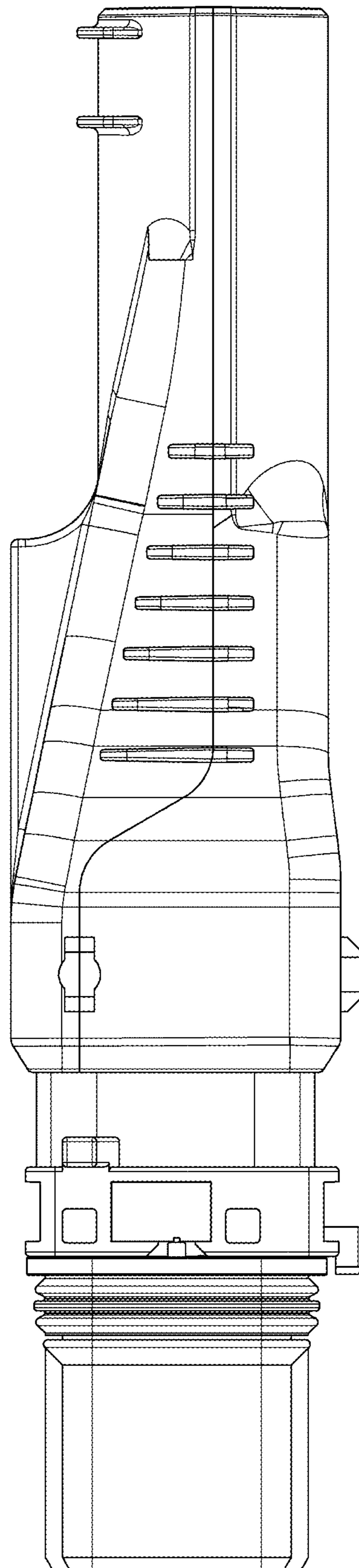


Fig. 5

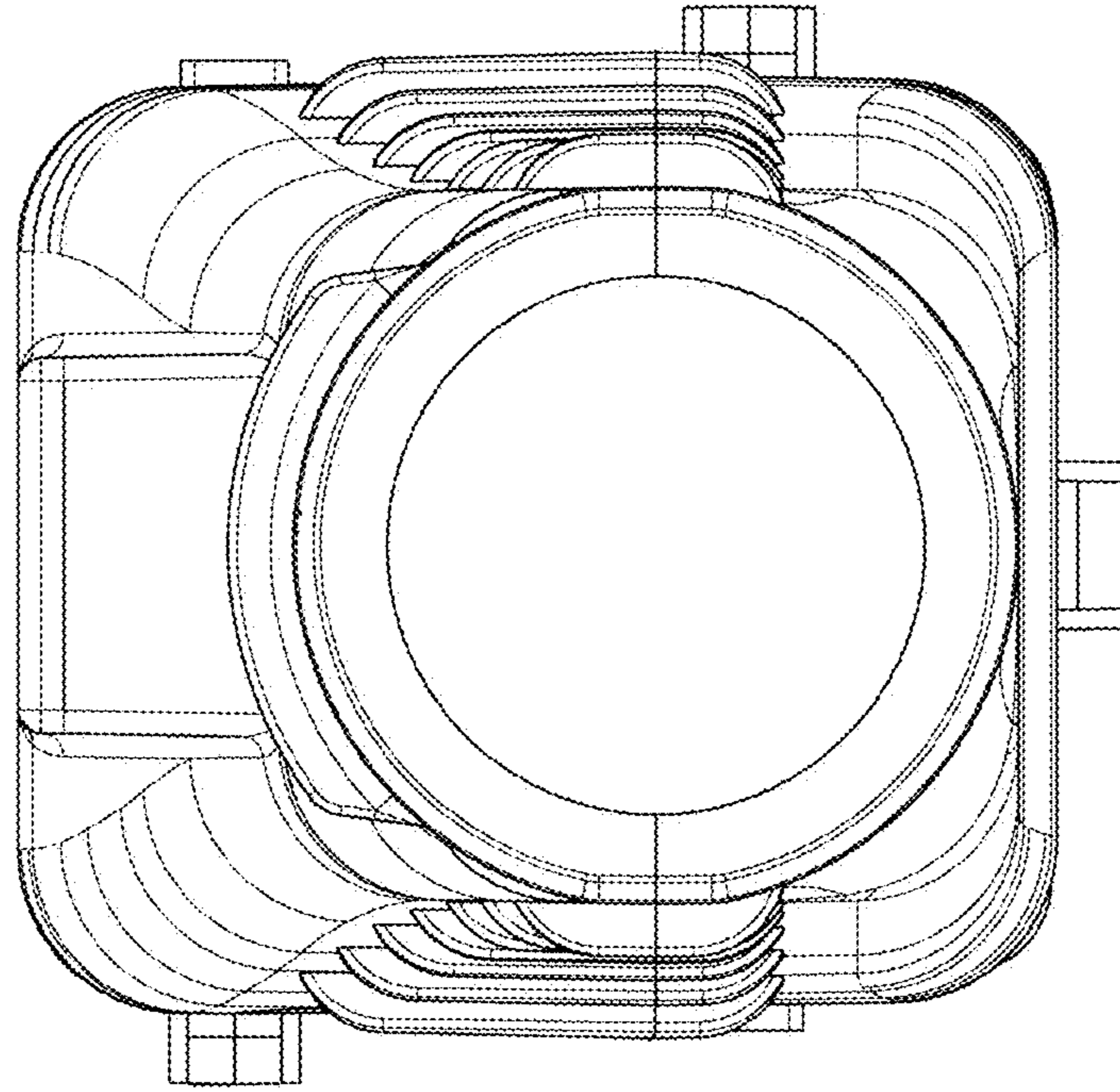


Fig. 7

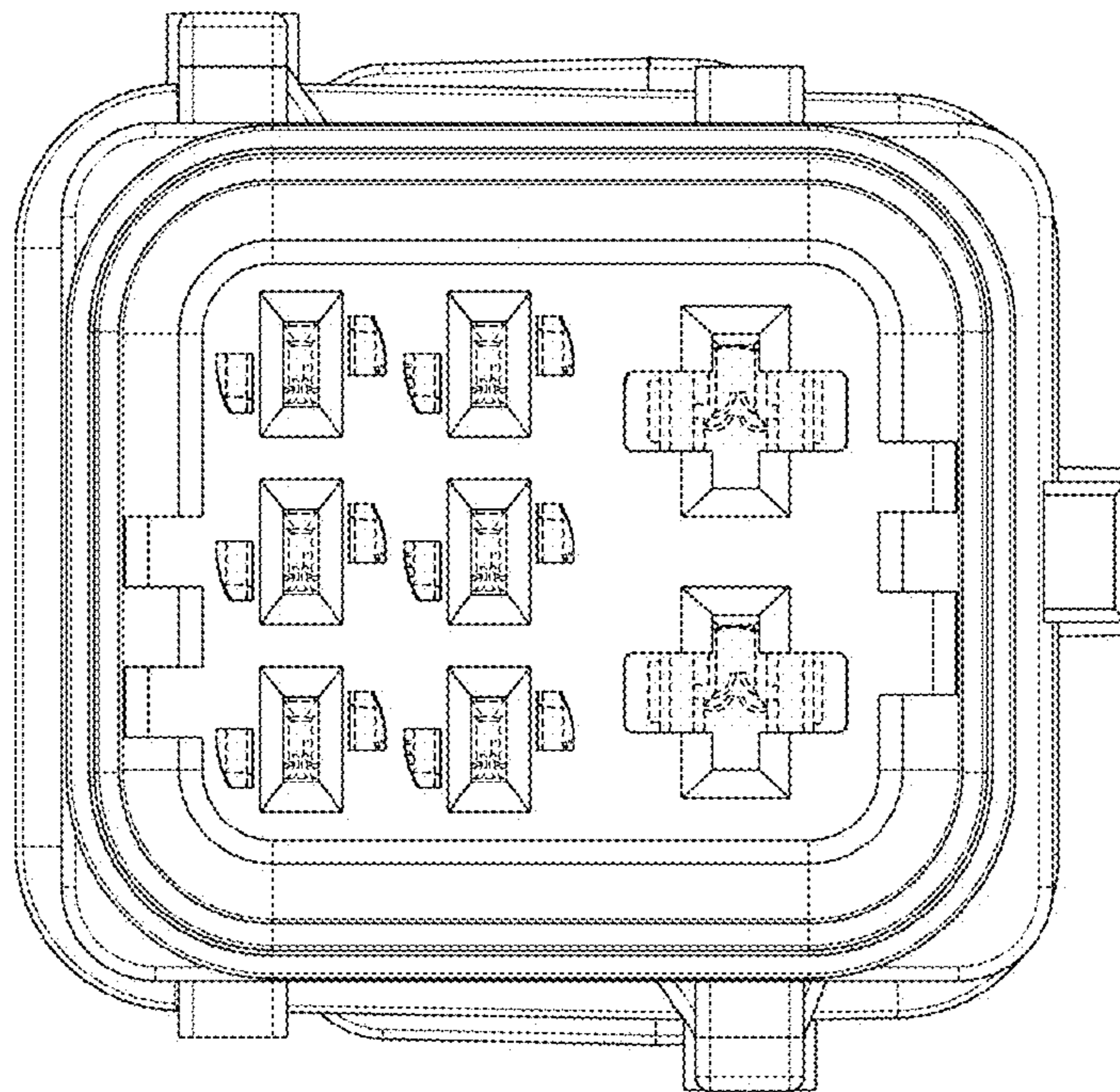


Fig. 6

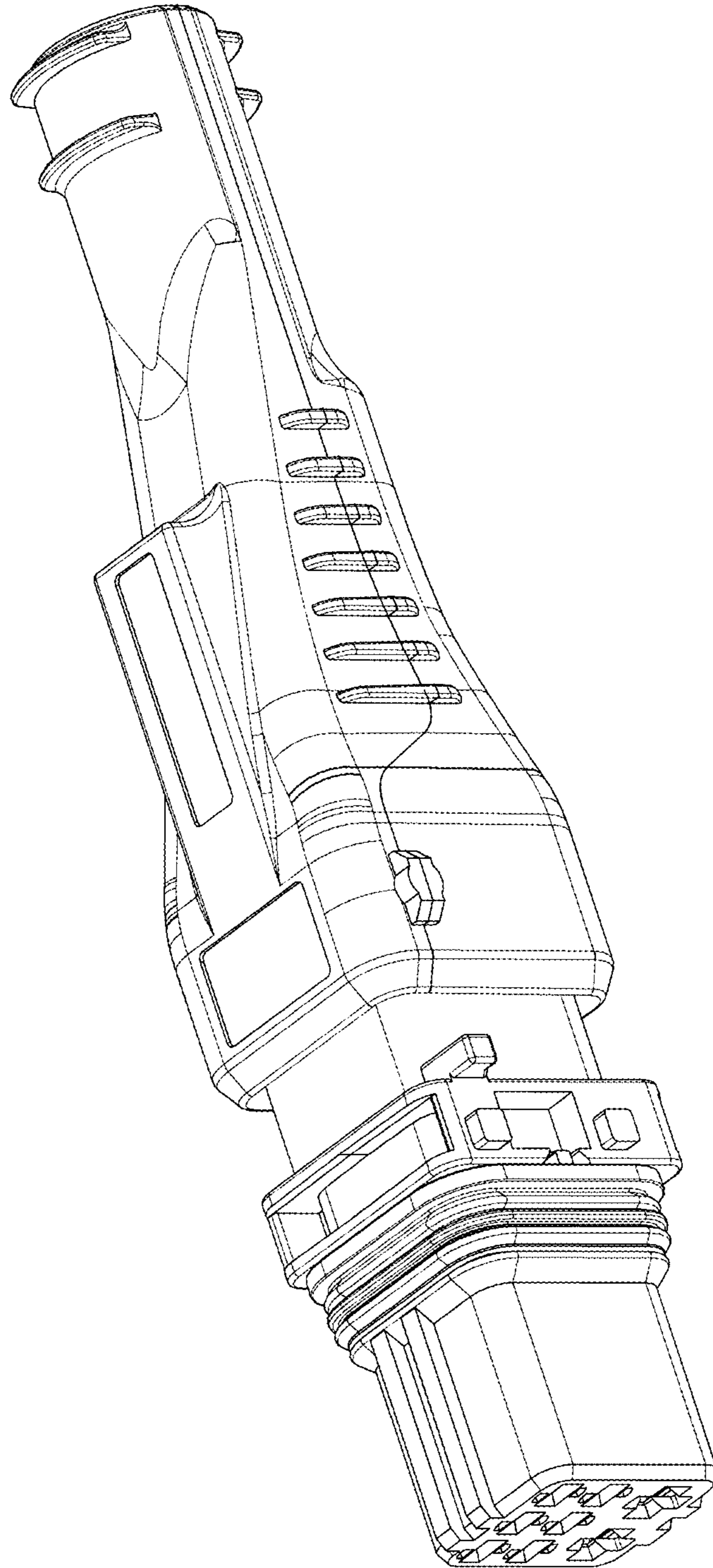


Fig. 8

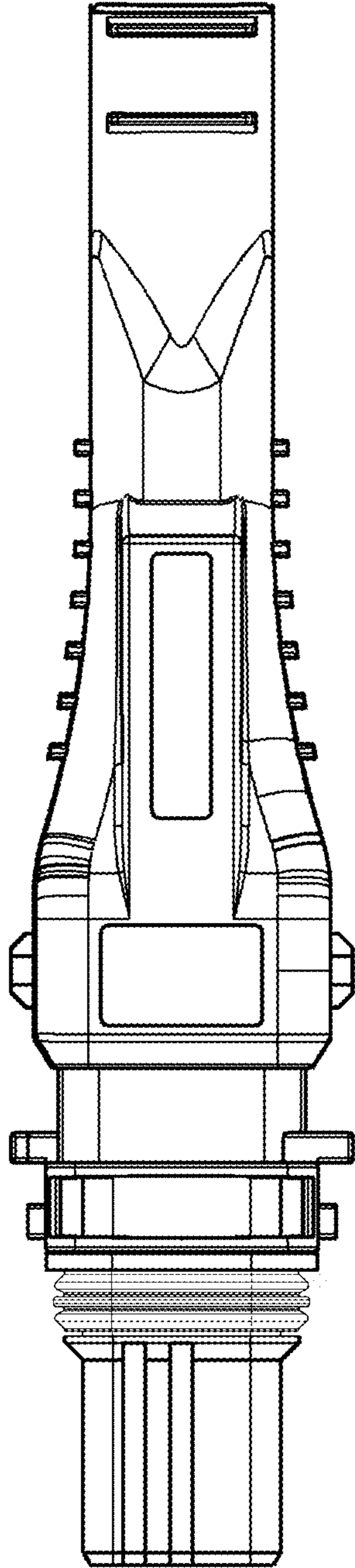


Fig. 9

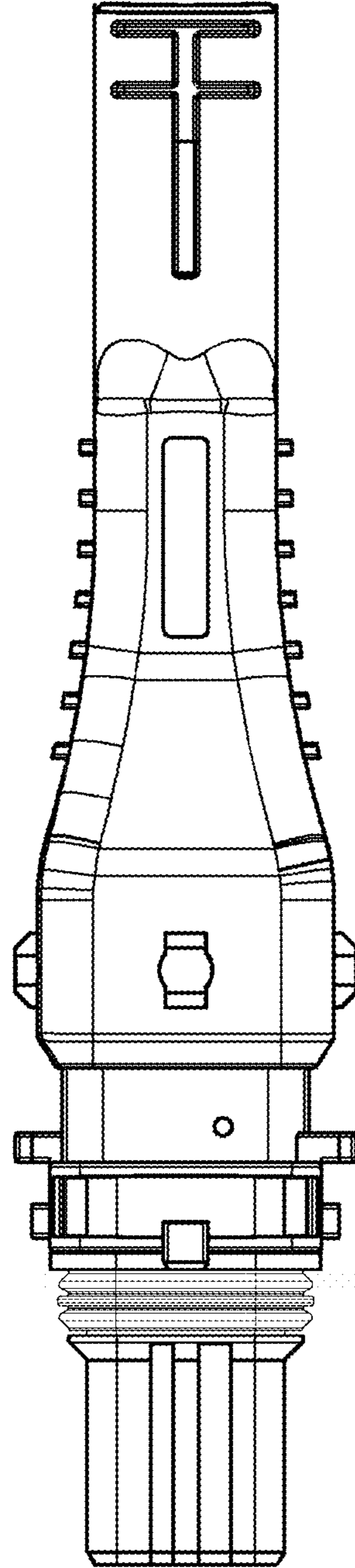


Fig. 10

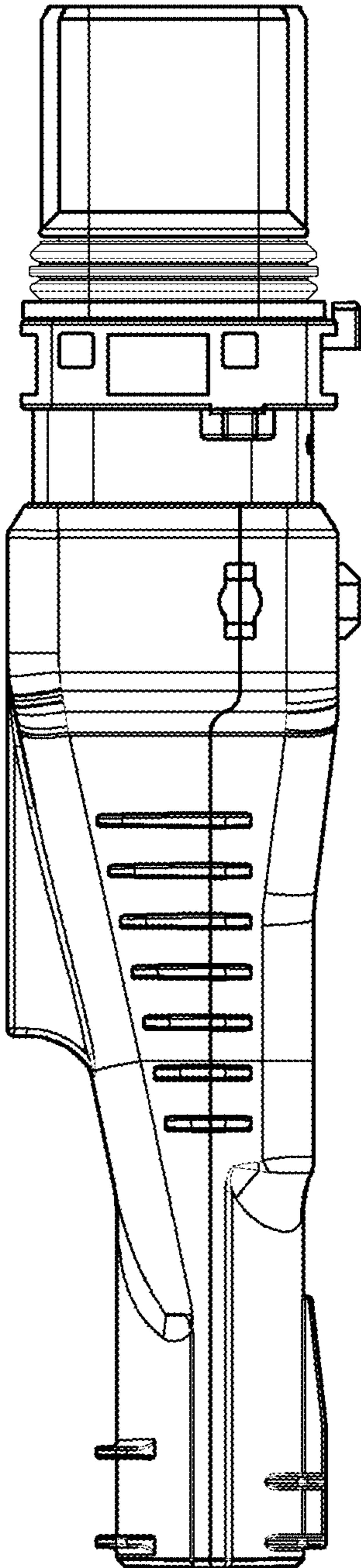


Fig. 11

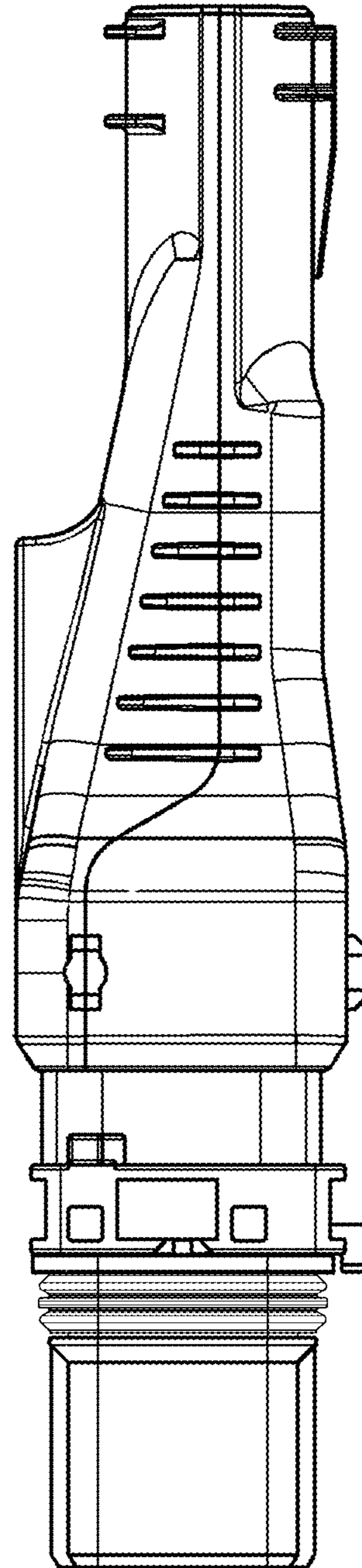


Fig. 12

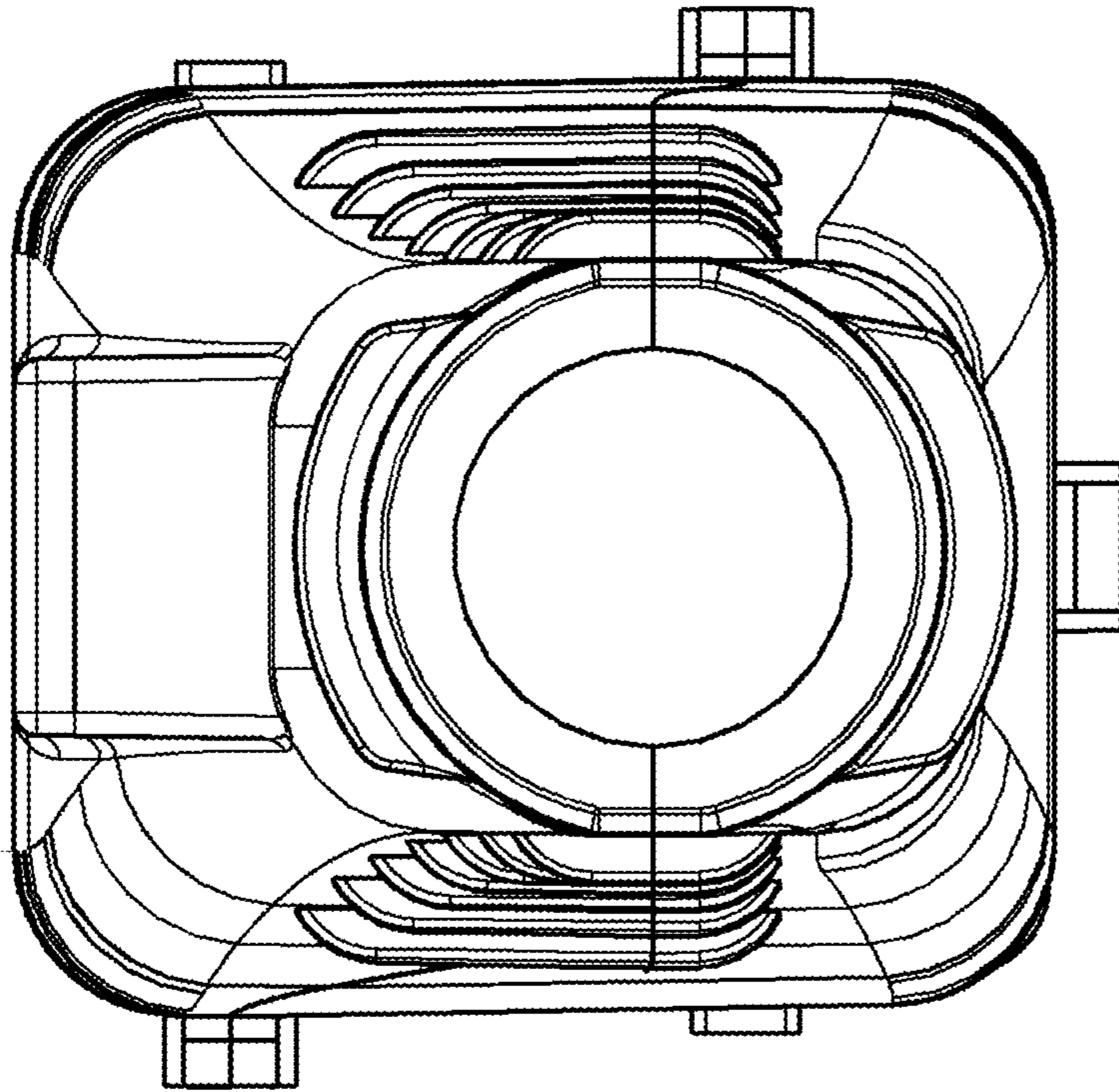


Fig. 14

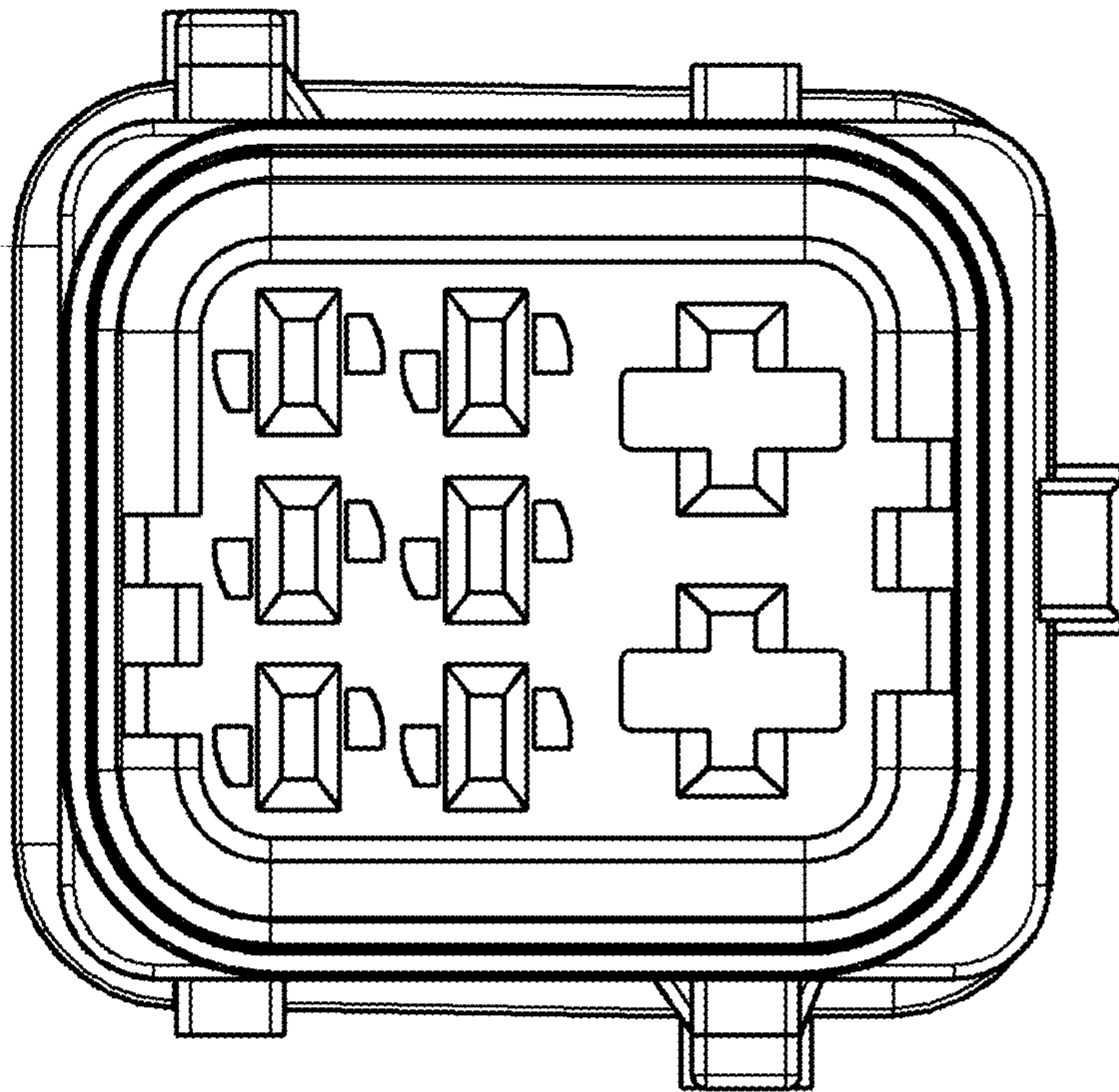


Fig. 13