



US00D951198S

(12) **United States Design Patent**
Chen

(10) **Patent No.:** **US D951,198 S**

(45) **Date of Patent:** **** May 10, 2022**

(54) **SOCKET**

(71) Applicant: **Rongjie Chen**, Hunan (CN)

(72) Inventor: **Rongjie Chen**, Hunan (CN)

(**) Term: **15 Years**

(21) Appl. No.: **29/750,680**

(22) Filed: **Sep. 16, 2020**

(51) **LOC (13) Cl.** **13-03**

(52) **U.S. Cl.**
USPC **D13/139.7**

(58) **Field of Classification Search**

USPC D13/137.1, 137.2, 137.3, 137.4, 138.1,
D13/138.2, 139.1, 139.2, 139.7, 139.8,
D13/184, 103, 107, 199, 108, 110, 119,
D13/123, 133, 139.3, 139.5, 139.6, 152,
D13/145, 153, 154, 156, 158, 160, 162,
D13/177; D14/433, 434

CPC H01R 13/00; H01R 13/04; H01R 13/10;
H01R 13/665; H01R 13/6666; H01R
13/6676; H01R 13/7135; H01R 25/00;
H01R 25/006; H01R 9/00; H01R 11/00;
H02H 3/33; H02H 3/162; H01H 2207/00;
H01H 2207/022; H01H 2203/00; H05K
5/00; H05K 5/03

See application file for complete search history.

(56) **References Cited**

U.S. PATENT DOCUMENTS

D400,504 S * 11/1998 Stekelenburg D13/139.6
D756,303 S * 5/2016 Kellenberger D13/137.1
D811,998 S * 3/2018 Wang D13/107
D814,420 S * 4/2018 Chen D13/137.2
D830,968 S * 10/2018 Wang D13/107
D836,541 S * 12/2018 Lomeli D13/107
D851,599 S * 6/2019 Li D13/139.8
D852,138 S * 6/2019 Wen D13/137.1
D852,139 S * 6/2019 Wen D13/137.1

D862,388 S * 10/2019 Qiu D13/137.2
D866,485 S * 11/2019 Aromin D13/160
D867,996 S * 11/2019 Chen D13/137.2
D869,398 S * 12/2019 Wang D13/137.3
D878,300 S * 3/2020 Lyu D13/139.8
D881,820 S * 4/2020 Li D13/139.8
D894,121 S * 8/2020 Lomeli D13/107
D900,749 S * 11/2020 Bao D13/137.2

FOREIGN PATENT DOCUMENTS

KR 300821222.0000 * 10/2015

OTHER PUBLICATIONS

“HBN Smart Plug 15A, WiFi&Bluetooth Outlet Extender Dual Socket Plugs Works with Alexa, Google Home Assistant, Remote Control with Timer Function, No Hub Required, ETL Certified, 2.4G WiFi Only, 1-Pack”, first available Dec. 16, 2019. Amazon.com [https://www.amazon.com/HBN-Individual-Grounded-Compatible-Assistant/dp/B082T4D8BC] (Year: 2019).*

(Continued)

Primary Examiner — Rosemary K Tarcza

Assistant Examiner — Seth David Kumpf

(57) **CLAIM**

The ornamental design for a socket, as shown.

DESCRIPTION

FIG. 1 is a front elevational view of a socket showing my new design;

FIG. 2 is a rear elevational view thereof;

FIG. 3 is a left side view thereof;

FIG. 4 is a right side view thereof;

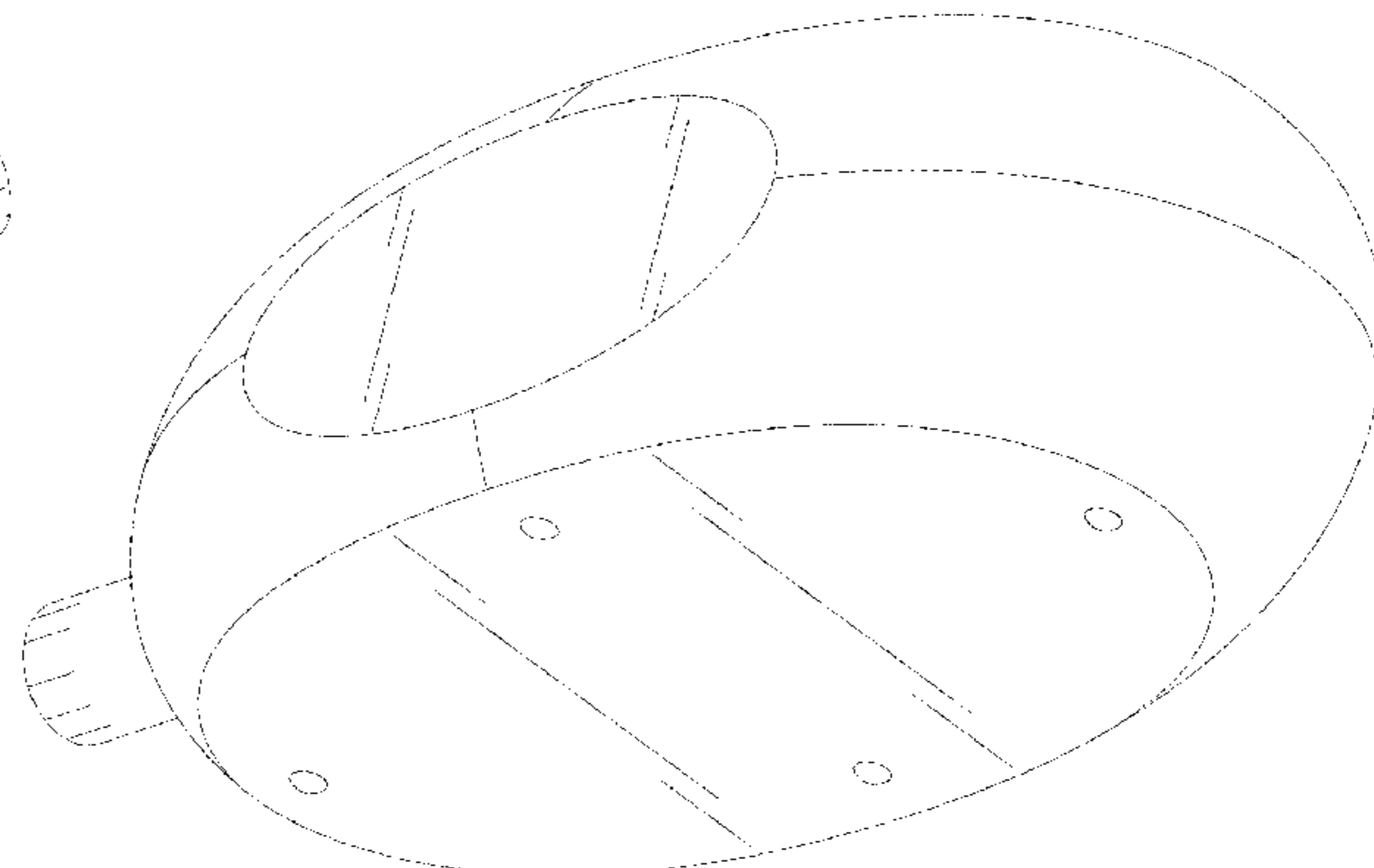
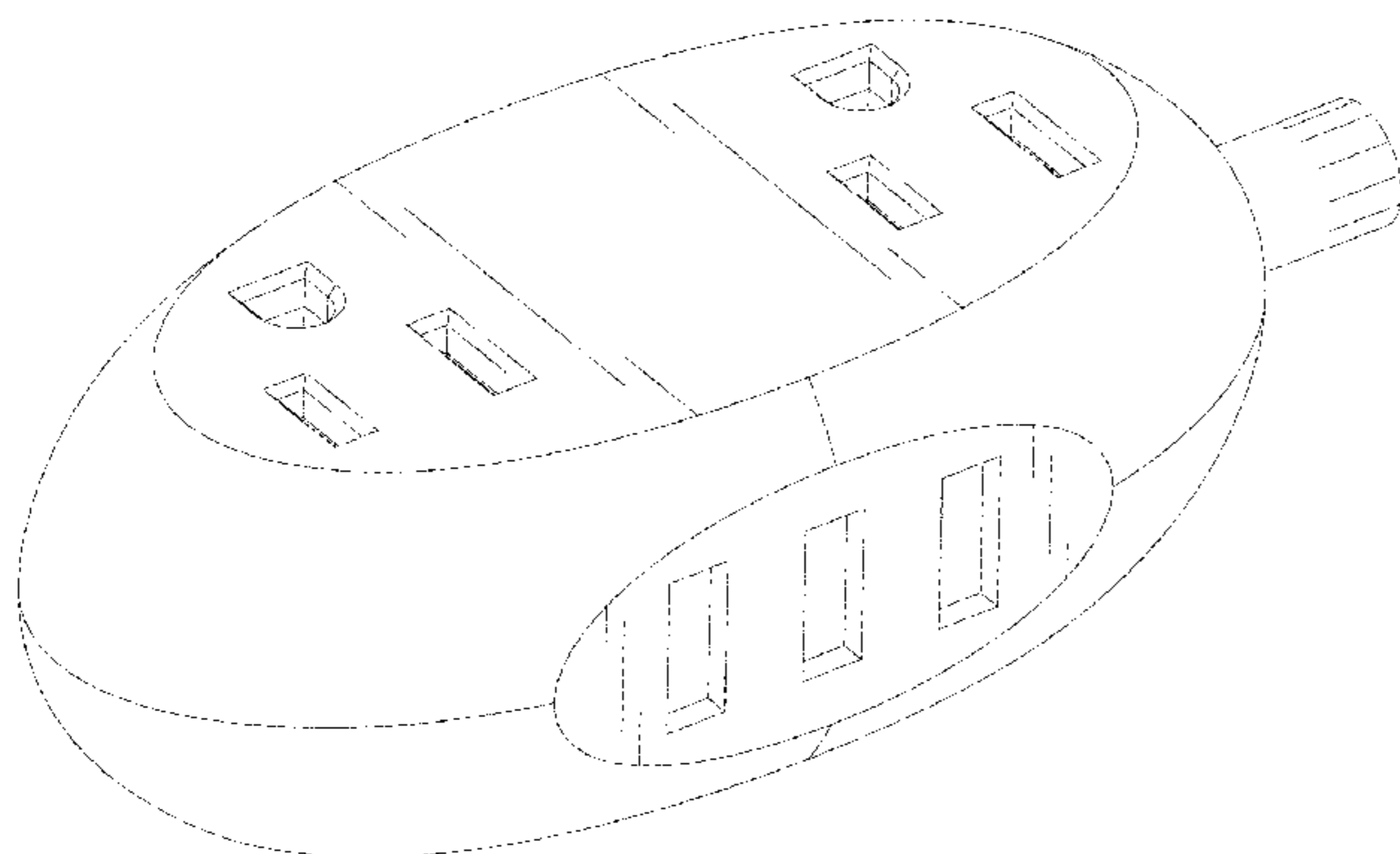
FIG. 5 is a top plan view thereof;

FIG. 6 is a bottom plan view thereof;

FIG. 7 is a perspective view thereof; and,

FIG. 8 is another perspective view thereof.

1 Claim, 7 Drawing Sheets



(56)

References Cited

OTHER PUBLICATIONS

“2 Pack Lightning Protector Power Belt-4 Large Sockets, 4 USB Charging Ports, 2 Side Outlets to Extend 5 Feet Braided Extension Cord, Flat Plug, Wall Mount, Desk USB Charging Station”, first available Sep. 2, 2021. Amazon.com [<https://www.amazon.com/Lightning-Protector-Sockets-Charging-Extension/dp/B09F9WVFHG>] (Year: 2021).*

“Power Strip with 3 USB Ports, TESSAN 5 ft Extension Cord Flat Plug with 4 Outlets, Overload Protection Indoor Desk Charging Station, Mountable Compact for Travel, Cruise Ship, and Dorm Essentials”, first available Oct. 30, 2019. Amazon.com [<https://www.amazon.com/TESSAN-Mountable-Extension-Outlets-Lightweight/dp/B07ZRDFG6Y>] (Year: 2019).*

“USB Wall Charger, Surge Protector, POWRUI 6-Outlet Extender with 2 USB Charging Ports (2.4A Total) and Night Light, 3-Sided Power Strip with Adapter Spaced Outlets—White , ETL Listed”, first available Apr. 13, 2018. Amazon.com [<https://www.amazon.com/Protector-POWRUI-6-Outlet-Extender-Charging/dp/B07CCGGB7M>] (Year: 2018).*

* cited by examiner

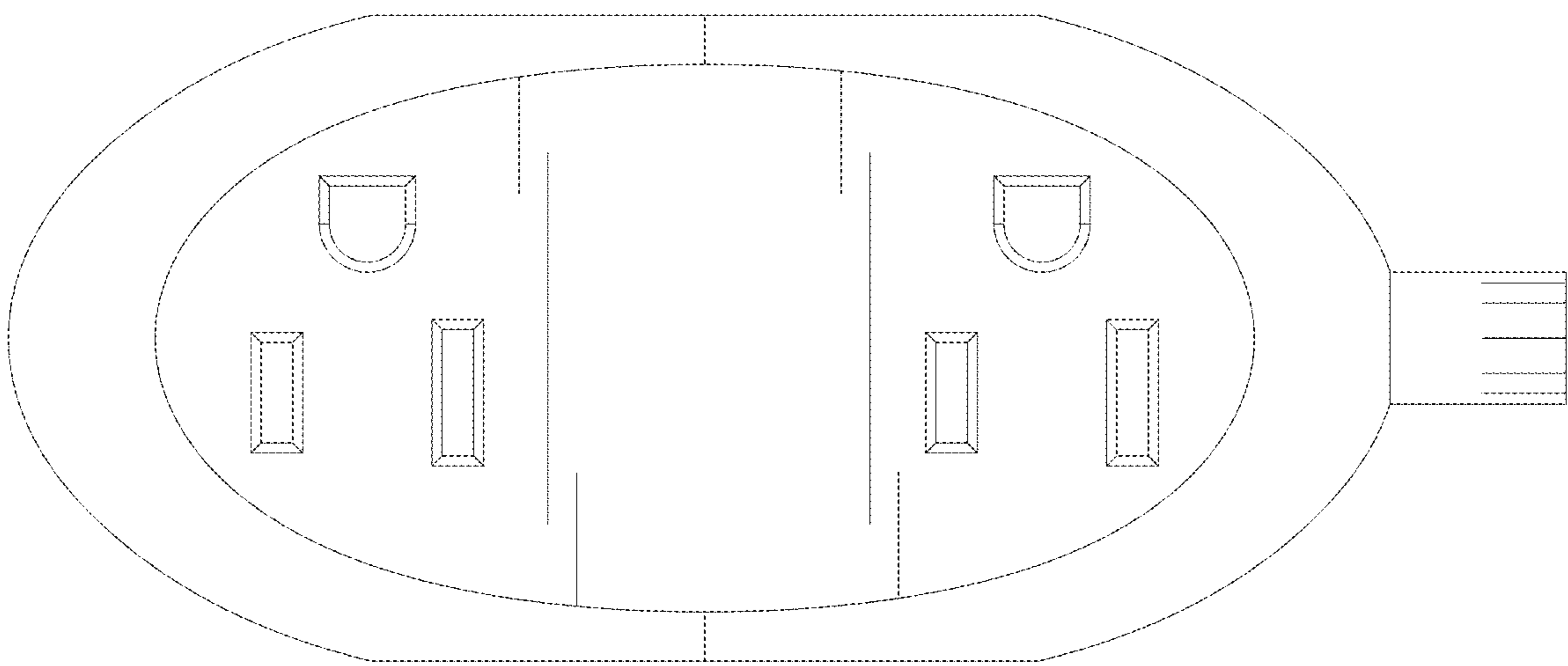


FIG. 1

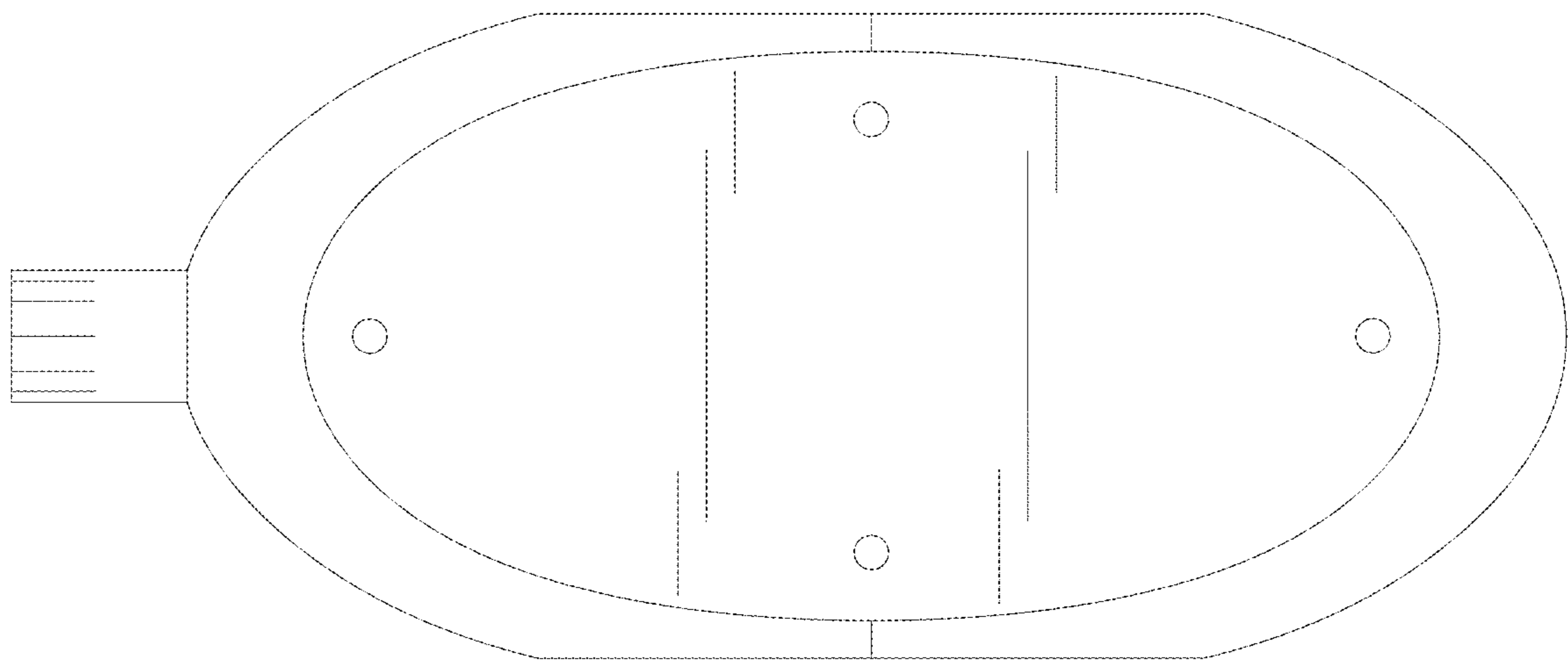


FIG. 2

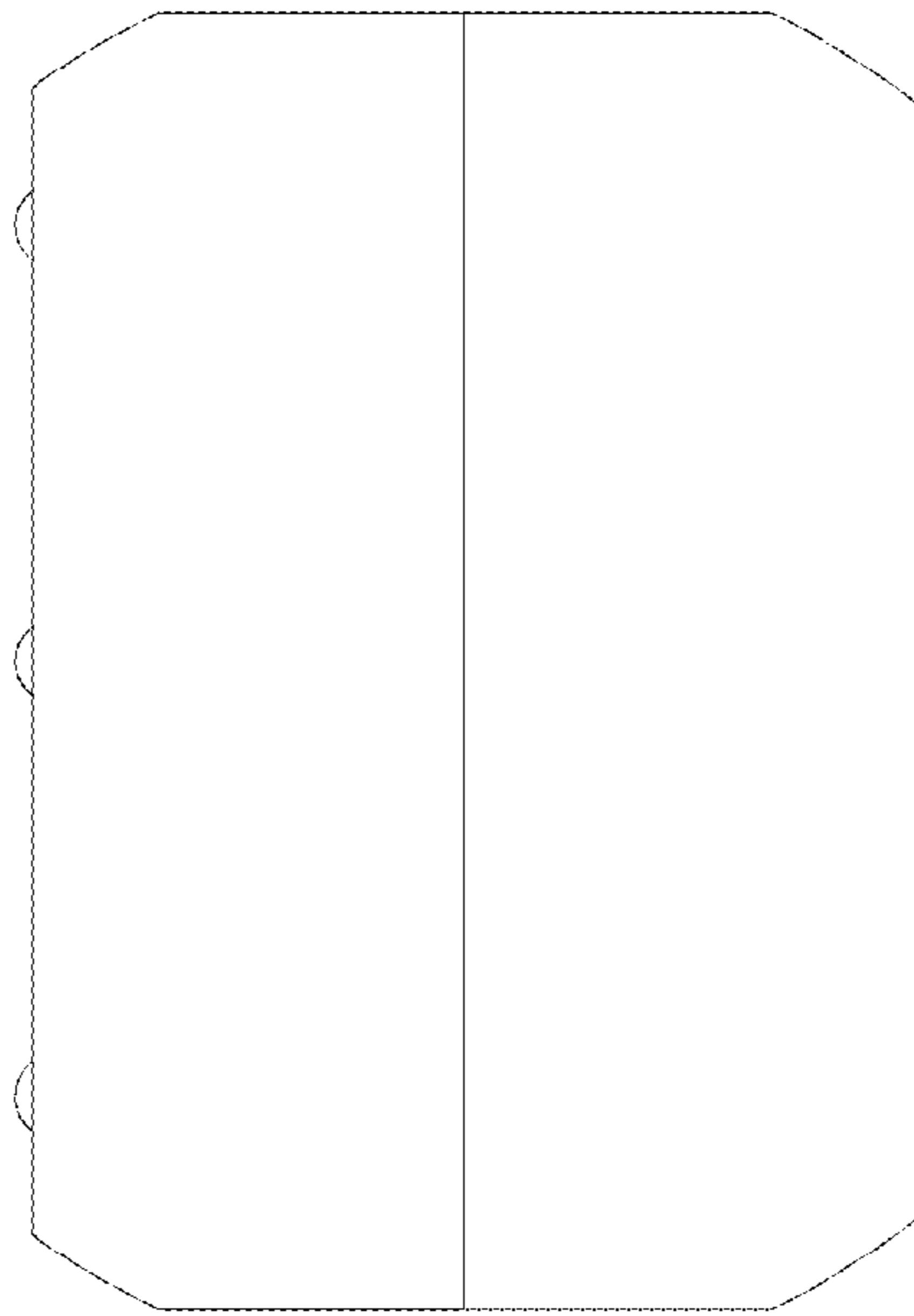


FIG. 3

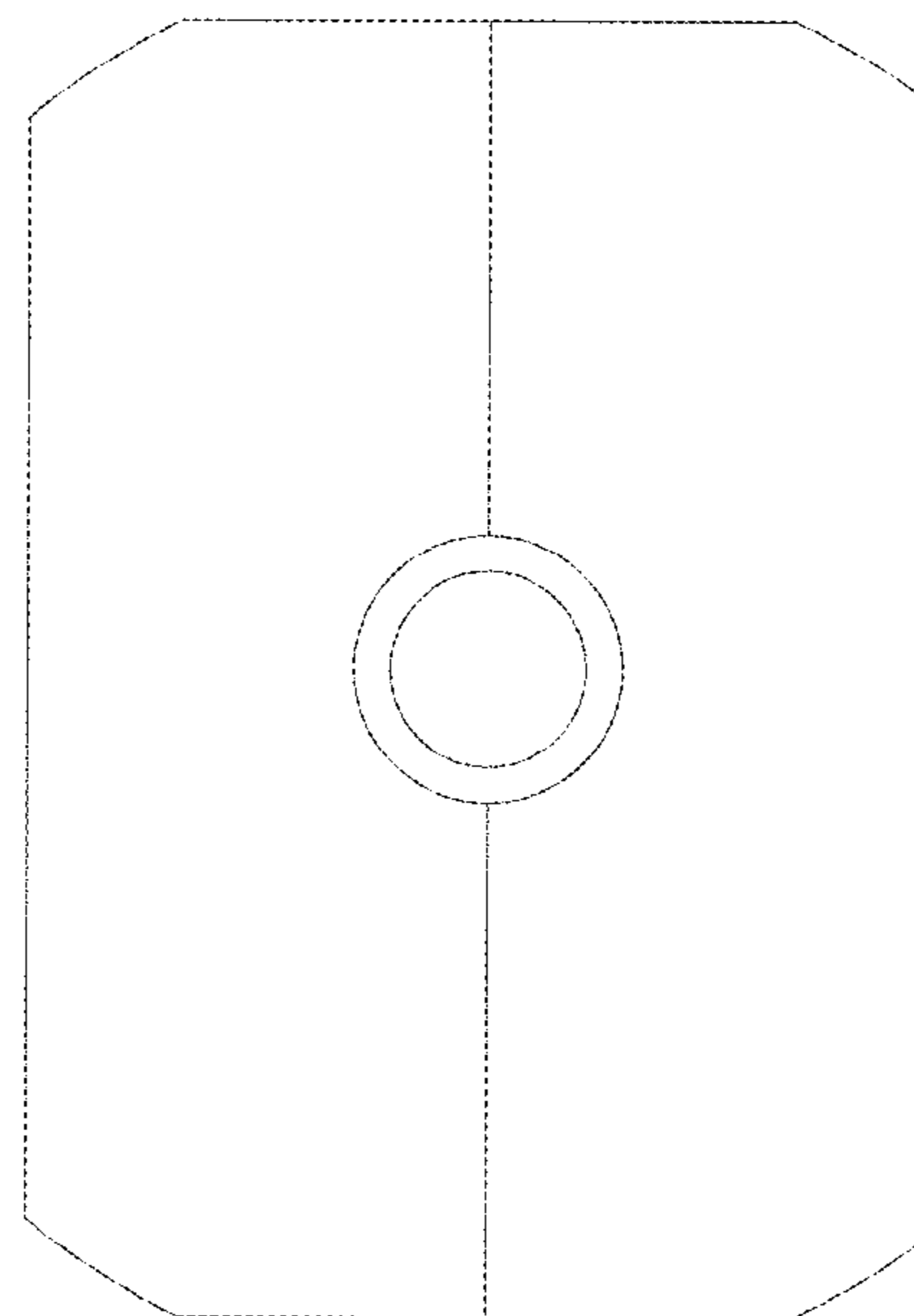


FIG. 4

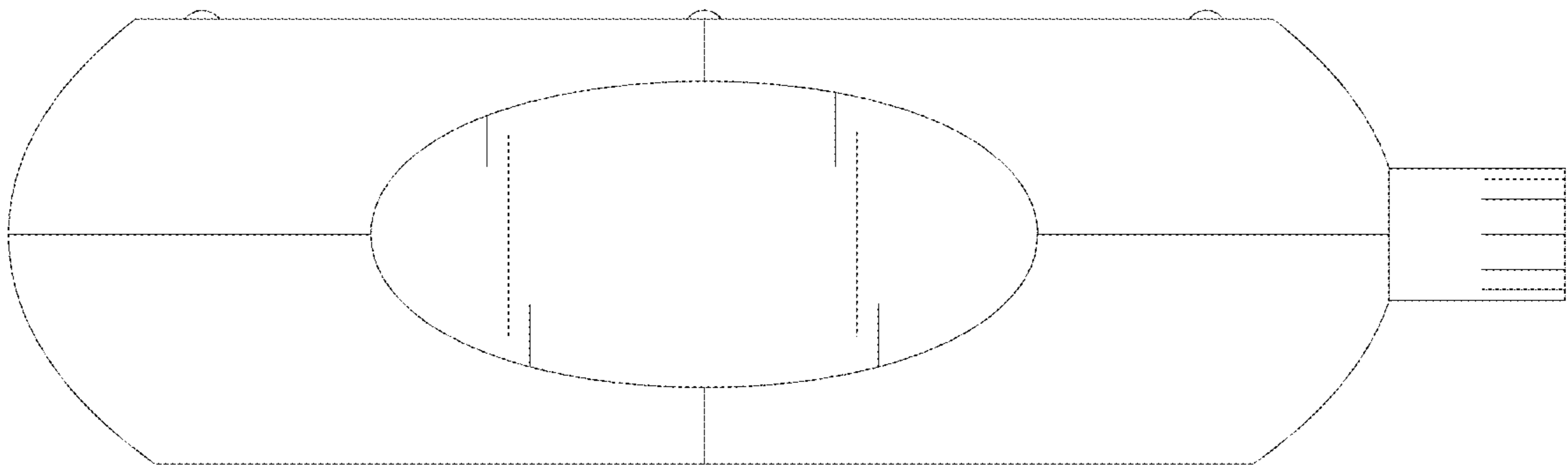


FIG. 5

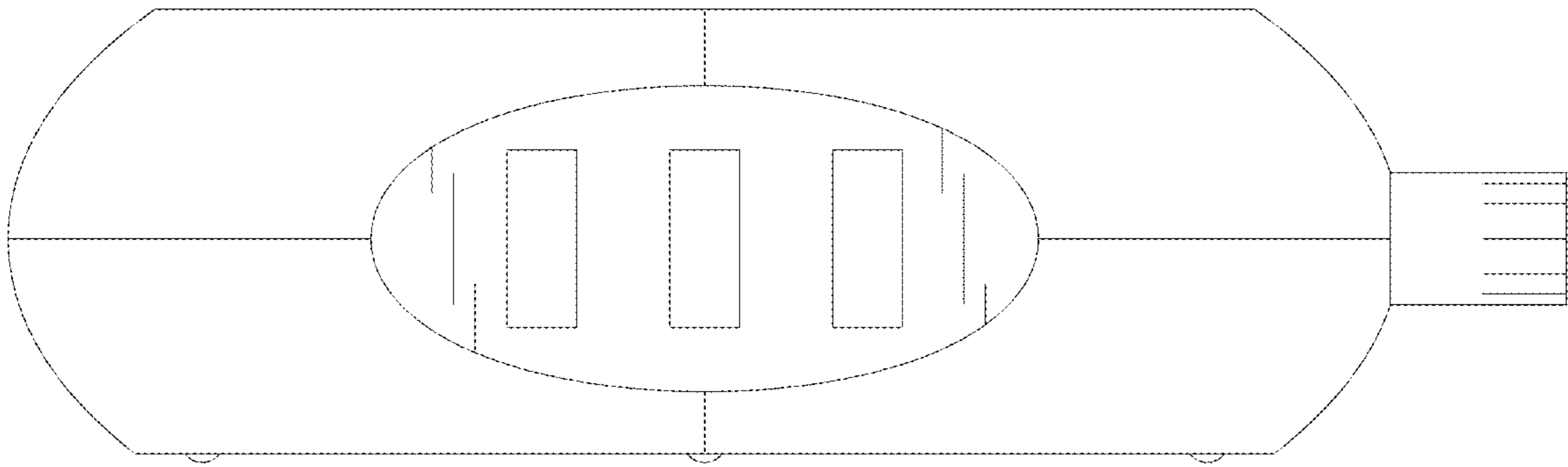


FIG. 6

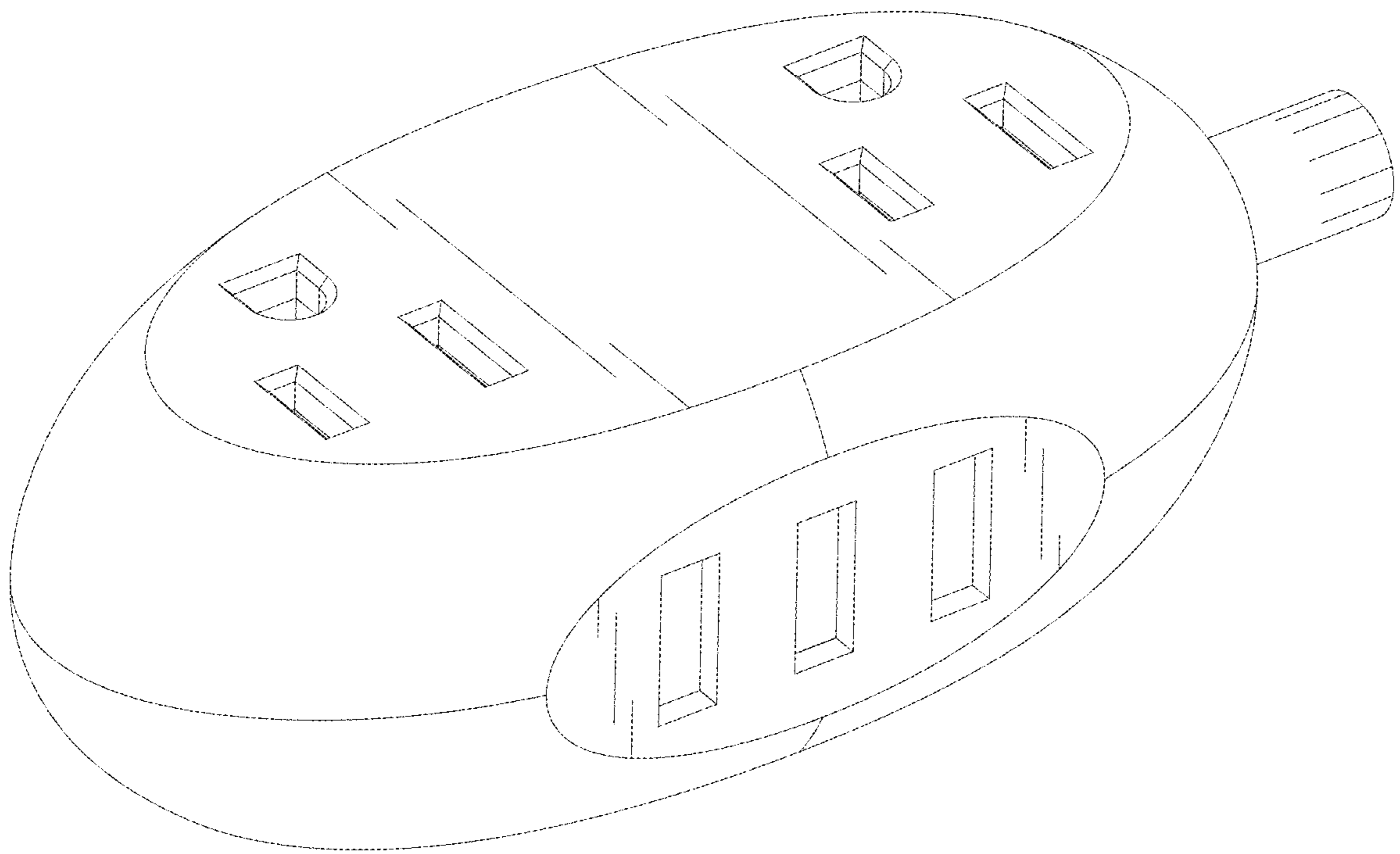


FIG. 7

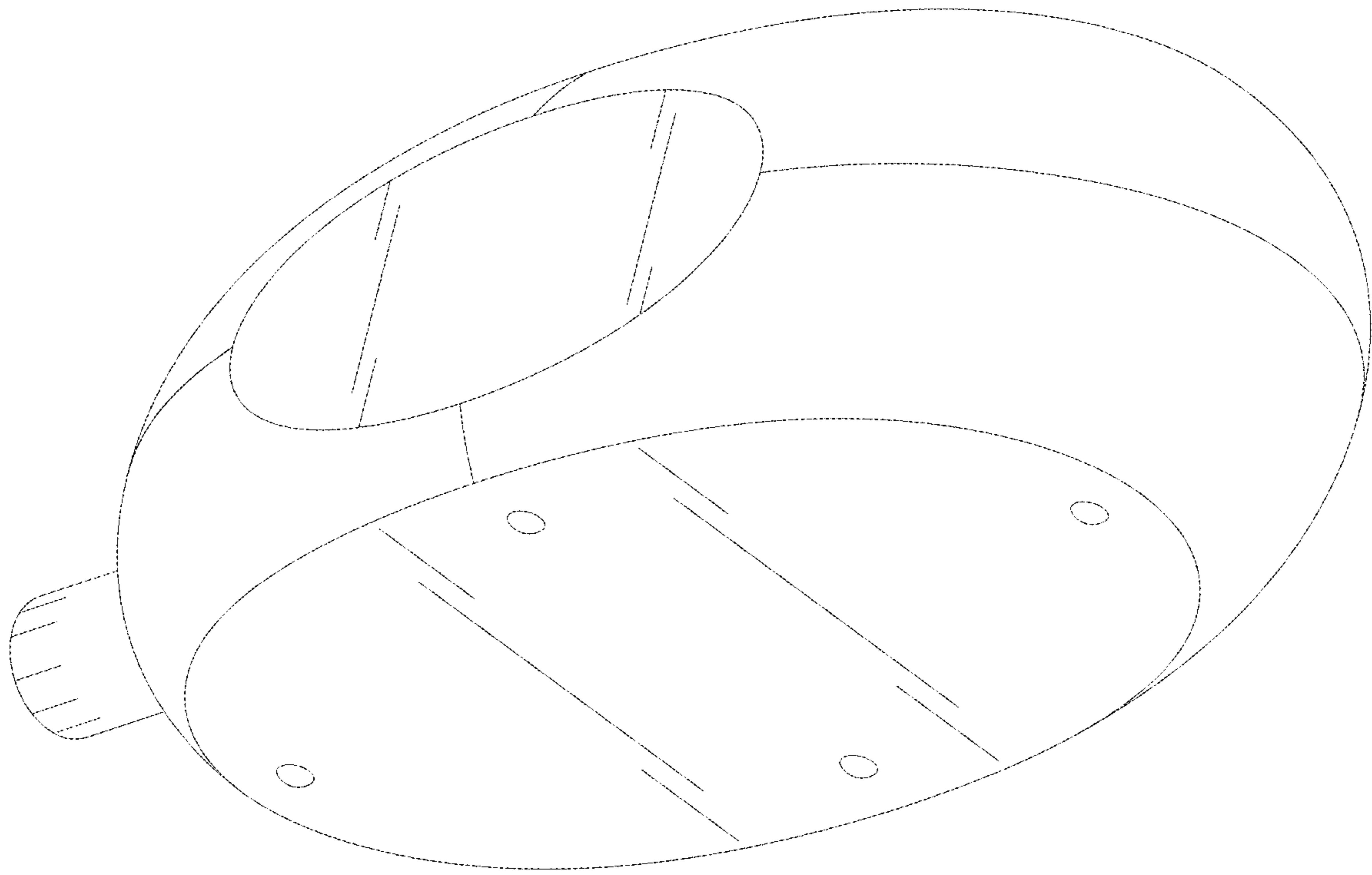


FIG. 8