



US00D951196S

(12) **United States Design Patent** (10) **Patent No.:** **US D951,196 S**
Byrne et al. (45) **Date of Patent:** **** May 10, 2022**

(54) **ELECTRICAL CONNECTOR**
(71) Applicants: **Norman R. Byrne**, Ada, MI (US);
Timothy J. Warwick, Sparta, MI (US);
Daniel P. Byrne, Lowell, MI (US);
Shane Rogers, Rockford, MI (US);
Marc A. Mitchell, Belmont, MI (US);
Randell E. Pate, Jenison, MI (US)

(72) Inventors: **Norman R. Byrne**, Ada, MI (US);
Timothy J. Warwick, Sparta, MI (US);
Daniel P. Byrne, Lowell, MI (US);
Shane Rogers, Rockford, MI (US);
Marc A. Mitchell, Belmont, MI (US);
Randell E. Pate, Jenison, MI (US)

(**) Term: **15 Years**

(21) Appl. No.: **29/644,000**

(22) Filed: **Apr. 13, 2018**

(51) **LOC (13) Cl.** **13-03**

(52) **U.S. Cl.**
USPC **D13/133**

(58) **Field of Classification Search**
USPC D13/110, 112, 118, 120, 123, 133-135,
D13/146, 147, 149, 151, 154, 173, 184,
D13/199
CPC H01R 13/00; H01R 13/04; H01R 13/11;
H01R 13/113; H01R 13/44; H01R 13/62;
H01R 13/6205; H01R 13/627; H01R
13/6273; H01R 13/64; H01R 13/641;
H01R 13/648; H01R 24/00; H01R 25/00
See application file for complete search history.

(56) **References Cited**

U.S. PATENT DOCUMENTS

D335,647 S * 5/1993 Hood D13/119
D337,305 S * 7/1993 Ross D13/133
5,267,882 A * 12/1993 Davis H01R 13/64
439/680
D416,869 S * 11/1999 Tsai D13/153

6,352,447 B1 * 3/2002 Ruth H01R 13/518
439/501
D507,779 S * 7/2005 Mazzullo D13/133
D508,462 S * 8/2005 Mazzullo D13/133

(Continued)

Primary Examiner — Shawn T Gingrich
(74) *Attorney, Agent, or Firm* — Gardner, Linn, Burkhardt
& Ondersma LLP

(57) **CLAIM**

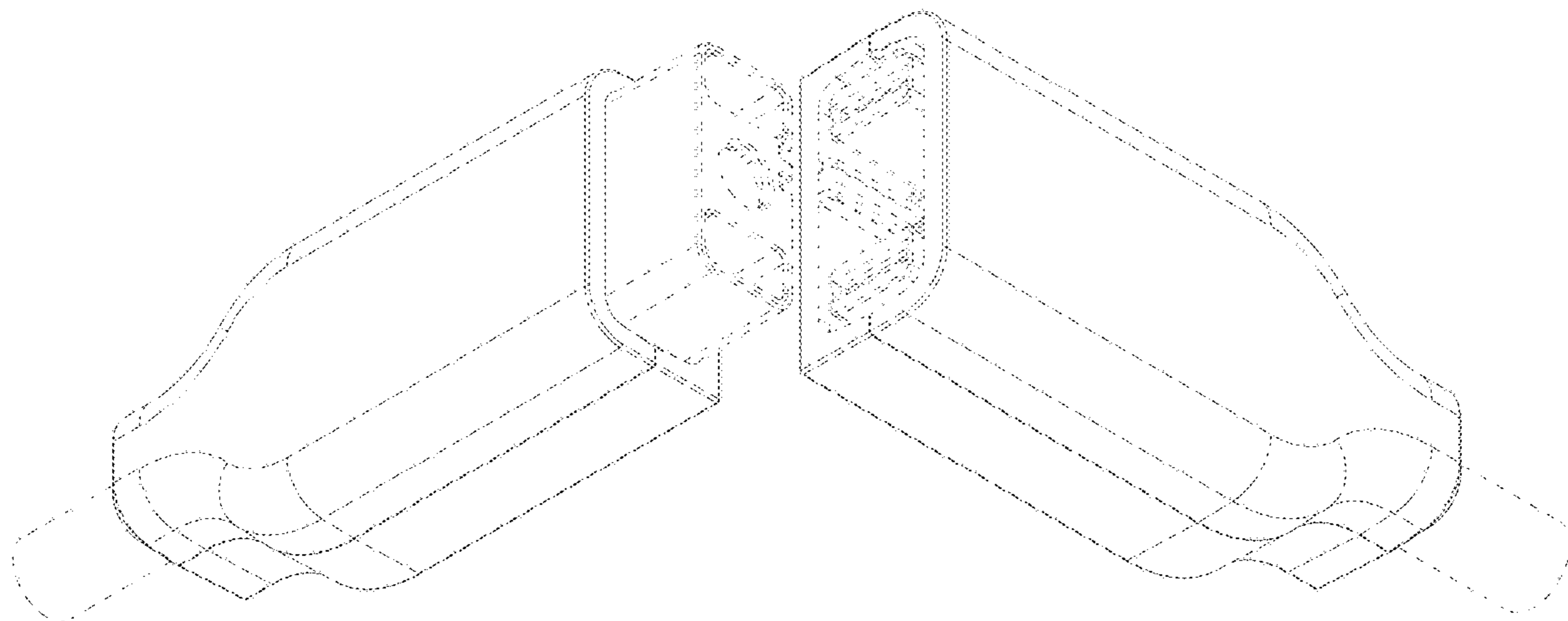
The ornamental design for an electrical connector, as shown and described.

DESCRIPTION

FIG. 1 is a front perspective view of an electrical connector showing our new design, viewed from below and to the left; FIG. 2 is another front perspective view thereof, viewed from above and to the right; FIG. 3 is a top plan view thereof; FIG. 4 is a bottom plan view thereof; FIG. 5 is a left side elevation thereof; FIG. 6 is a right side elevation thereof; FIG. 7 is a front elevation thereof; FIG. 8 is a rear elevation thereof; FIG. 9 is a front perspective view of another electrical connector showing our new design, viewed from below and to the right; FIG. 10 is another front perspective view thereof, viewed from above and to the left; FIG. 11 is a top plan view thereof; FIG. 12 is a bottom plan view thereof; FIG. 13 is a right side elevation thereof; FIG. 14 is a left side elevation thereof; FIG. 15 is a front elevation thereof; and, FIG. 16 is a rear elevation thereof.

In the drawings, the broken lines illustrate portions of the electrical connector and form no part of the claimed design.

1 Claim, 6 Drawing Sheets



(56)

References Cited

U.S. PATENT DOCUMENTS

D513,229 S * 12/2005 Mazzullo D13/133
 D534,497 S * 1/2007 Mazzullo D13/133
 7,207,836 B2 * 4/2007 Tsai H01R 13/5804
 439/541.5
 7,422,488 B1 * 9/2008 Wu H01R 13/6597
 439/676
 D601,502 S * 10/2009 Miyatake D13/133
 D635,931 S * 4/2011 Amidon D13/147
 D689,819 S * 9/2013 Olsson D13/110
 D712,839 S * 9/2014 Lee D13/147
 D824,332 S * 7/2018 Ackerman D13/117
 10,027,059 B2 7/2018 Byrne et al.
 D890,098 S * 7/2020 Byrne D13/133
 D924,152 S * 7/2021 Byrne D13/133
 2006/0183371 A1 * 8/2006 Tsai H01R 12/7029
 439/541.5
 2006/0183380 A1 * 8/2006 Tsai H01R 13/5804
 439/676
 2006/0216991 A1 * 9/2006 Boutros H01R 13/6275
 439/358
 2007/0082554 A1 * 4/2007 Saito H01R 13/6582
 439/607.01
 2007/0149032 A1 * 6/2007 Saito H01R 13/41
 439/397
 2009/0117785 A1 * 5/2009 Wu H01R 24/62
 439/668
 2010/0158448 A1 * 6/2010 Yi G02B 6/3817
 385/74
 2015/0118887 A1 * 4/2015 Katayanagi H01R 13/6582
 439/353
 2016/0134063 A1 * 5/2016 Zhang H01R 13/7175
 439/39
 2017/0317446 A1 * 11/2017 Byrne H01R 11/30
 2018/0102632 A1 * 4/2018 Byrne H01R 13/5219

* cited by examiner

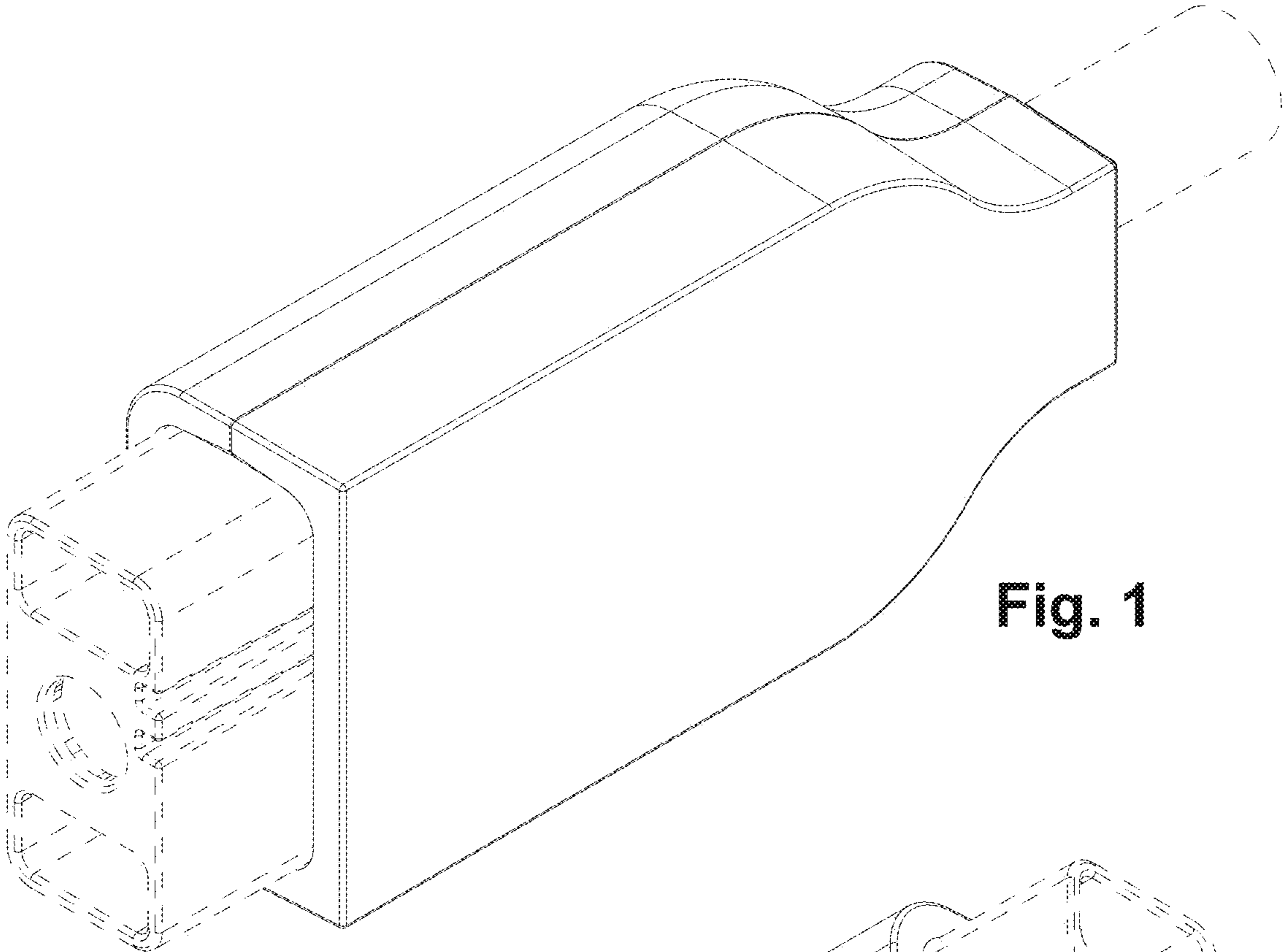


Fig. 1

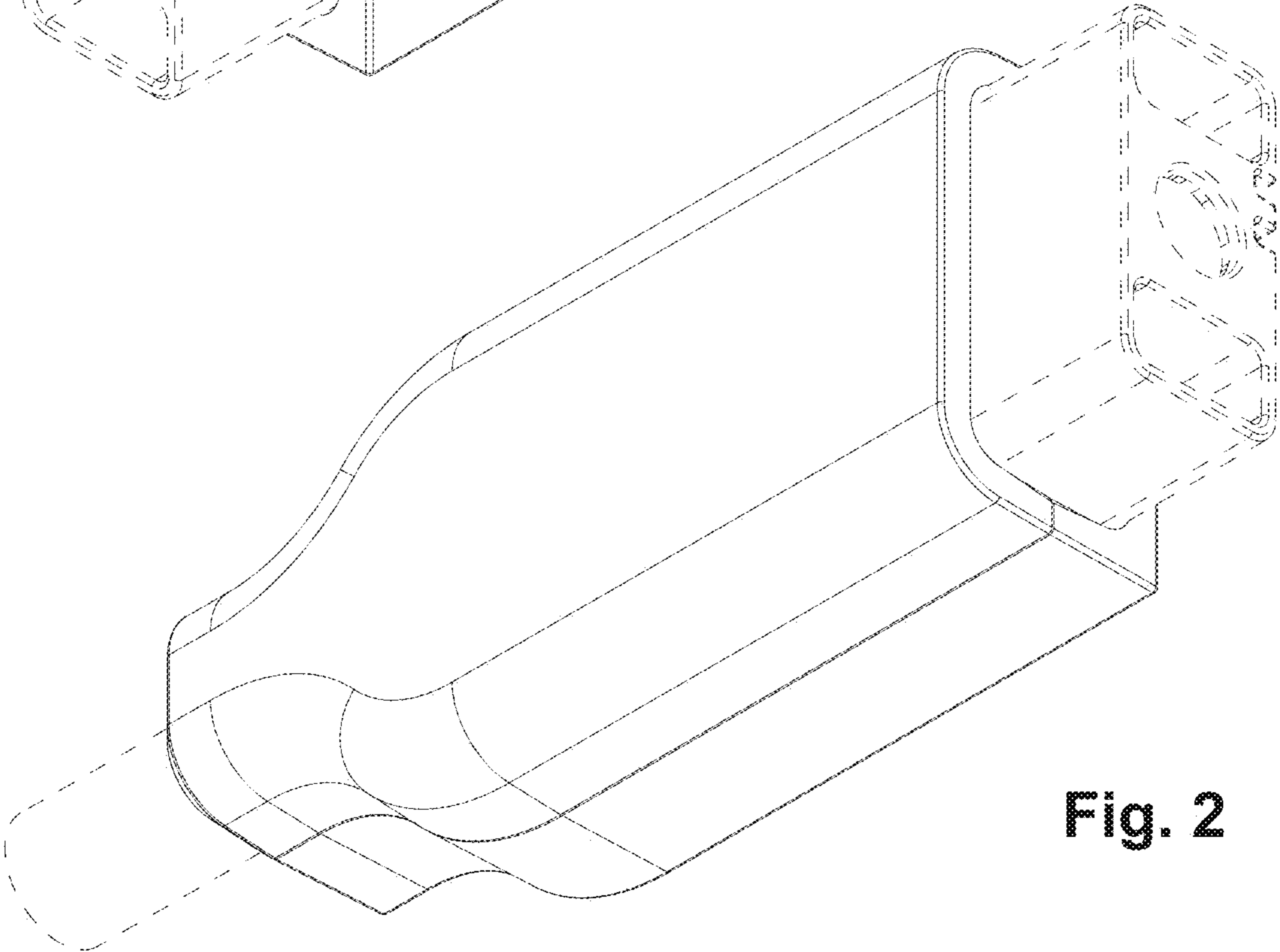


Fig. 2

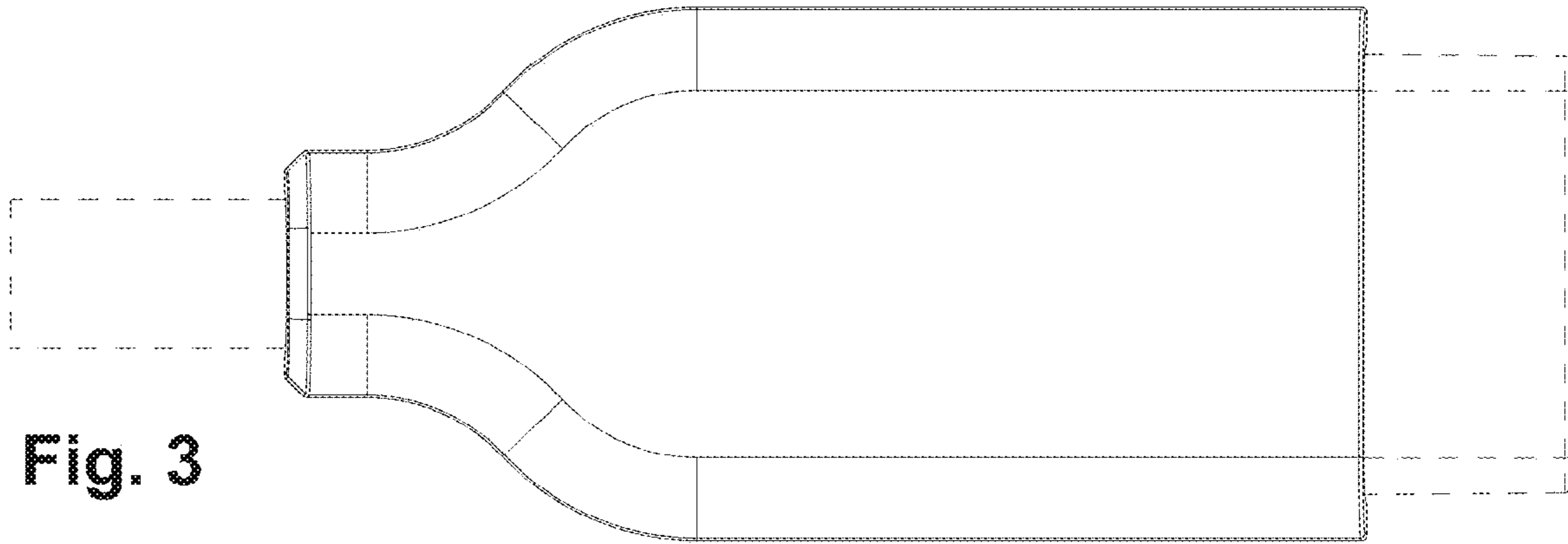


Fig. 3

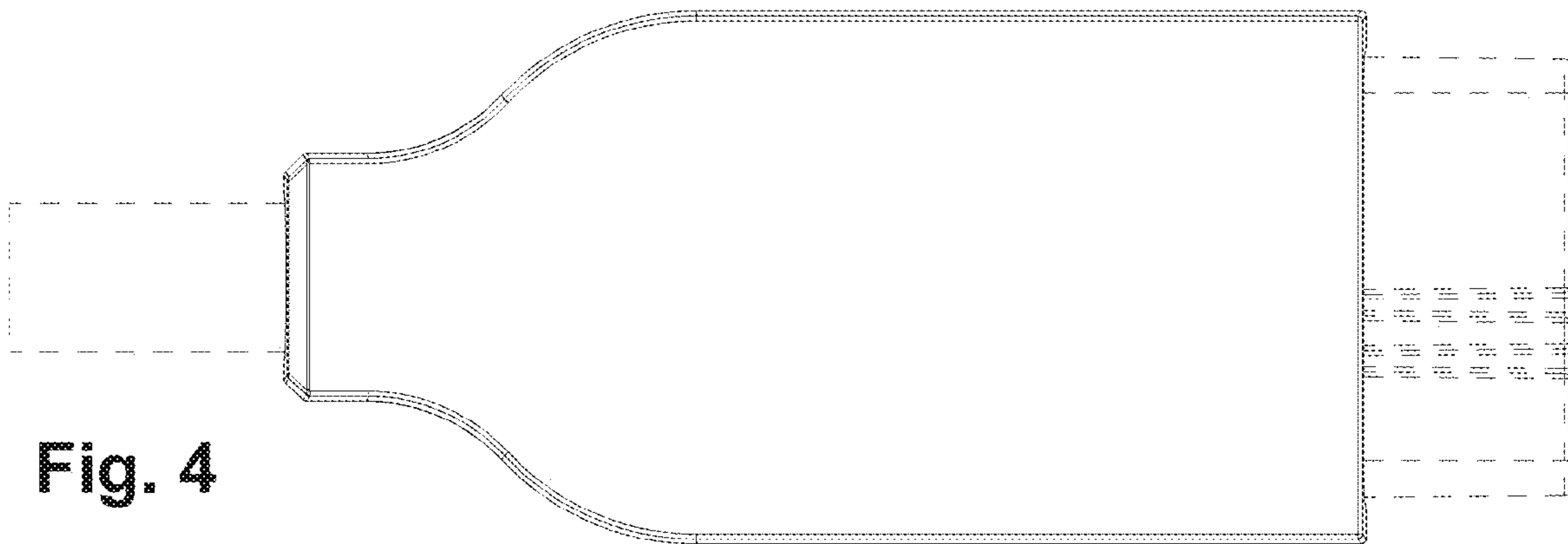


Fig. 4

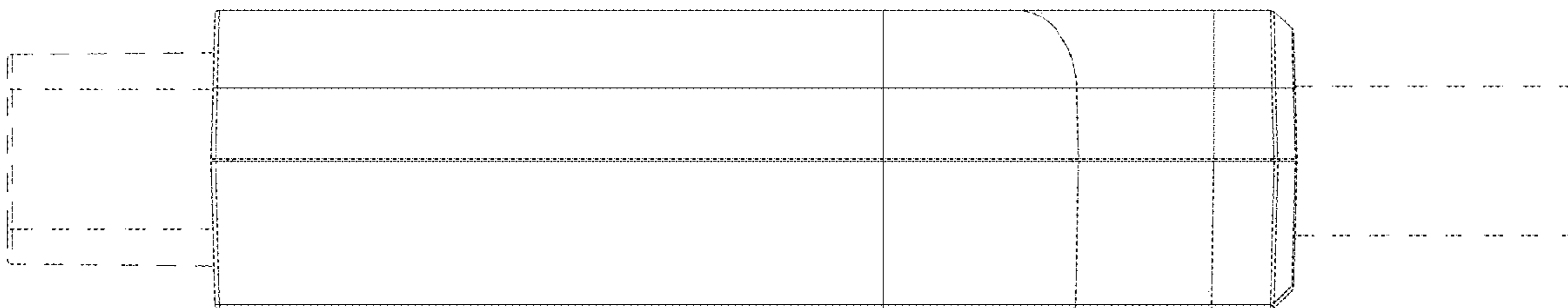


Fig. 5

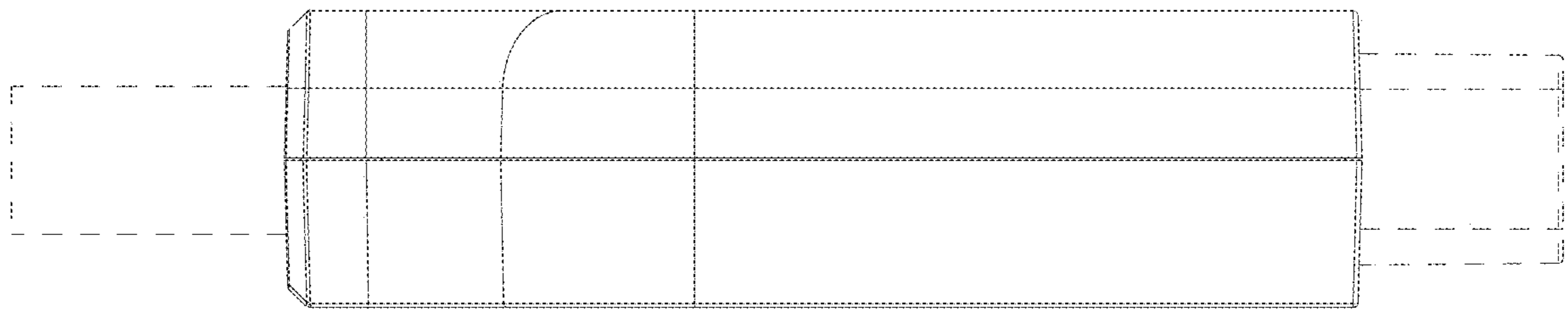


Fig. 6

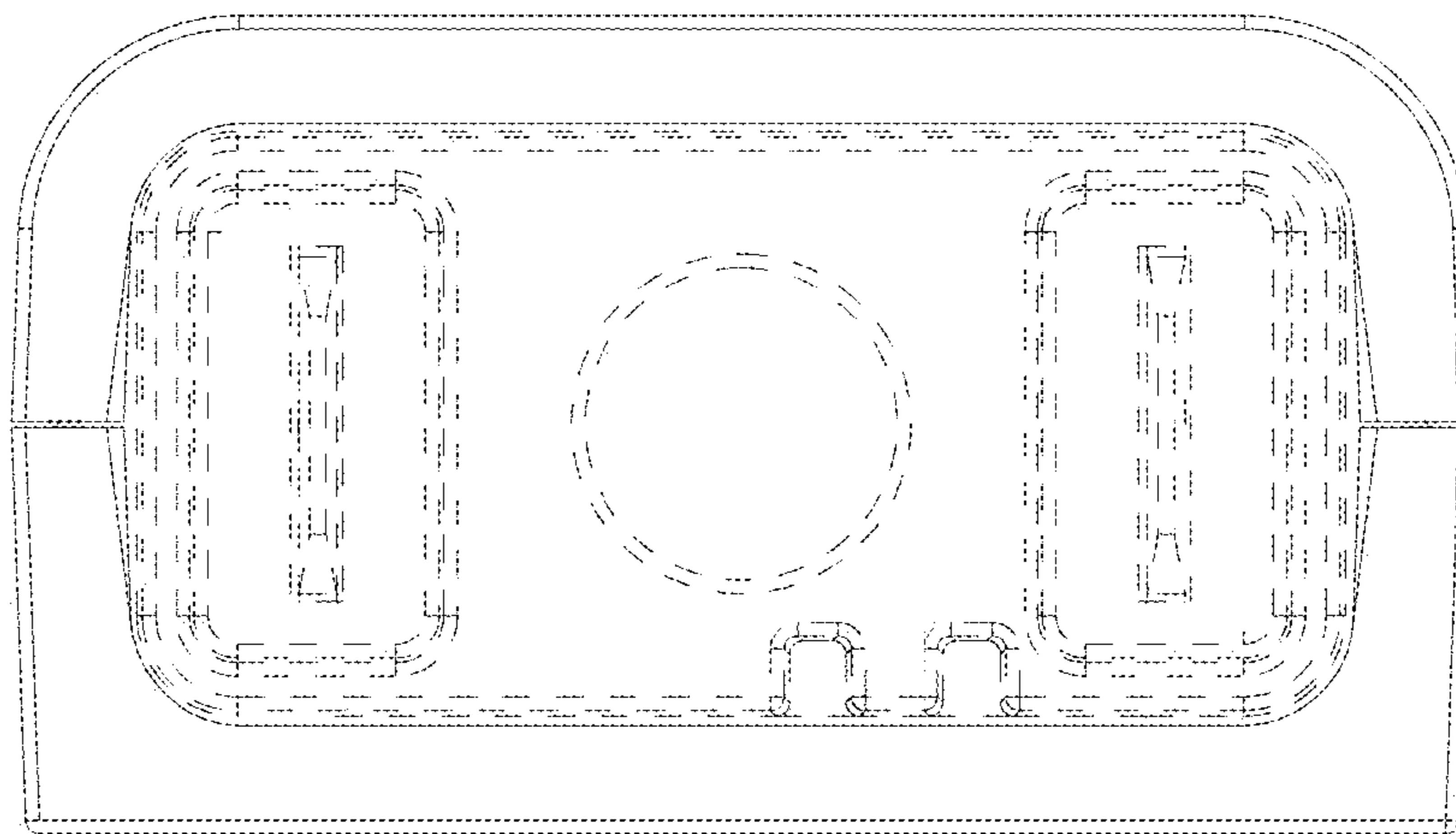


Fig. 7

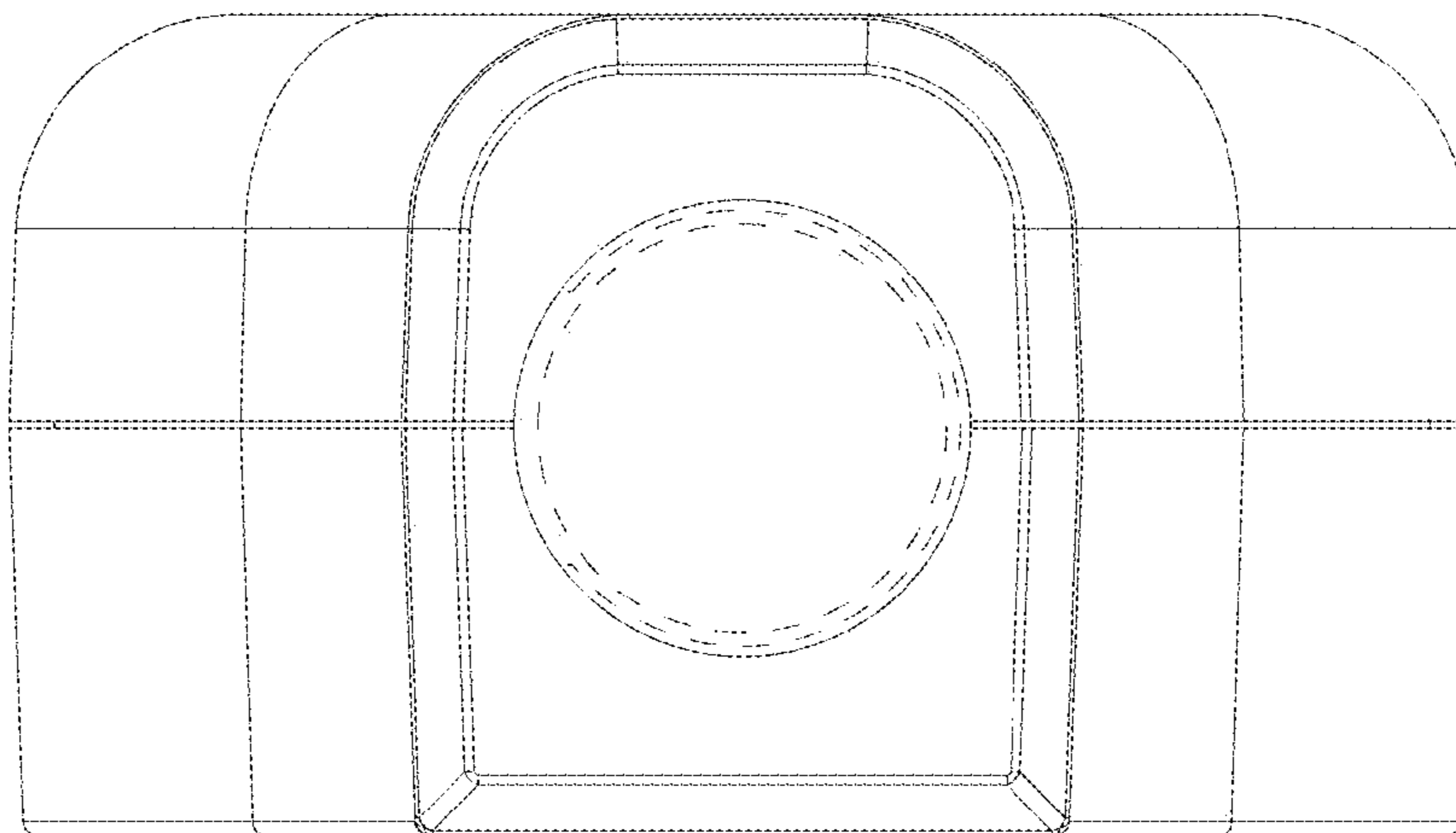


Fig. 8

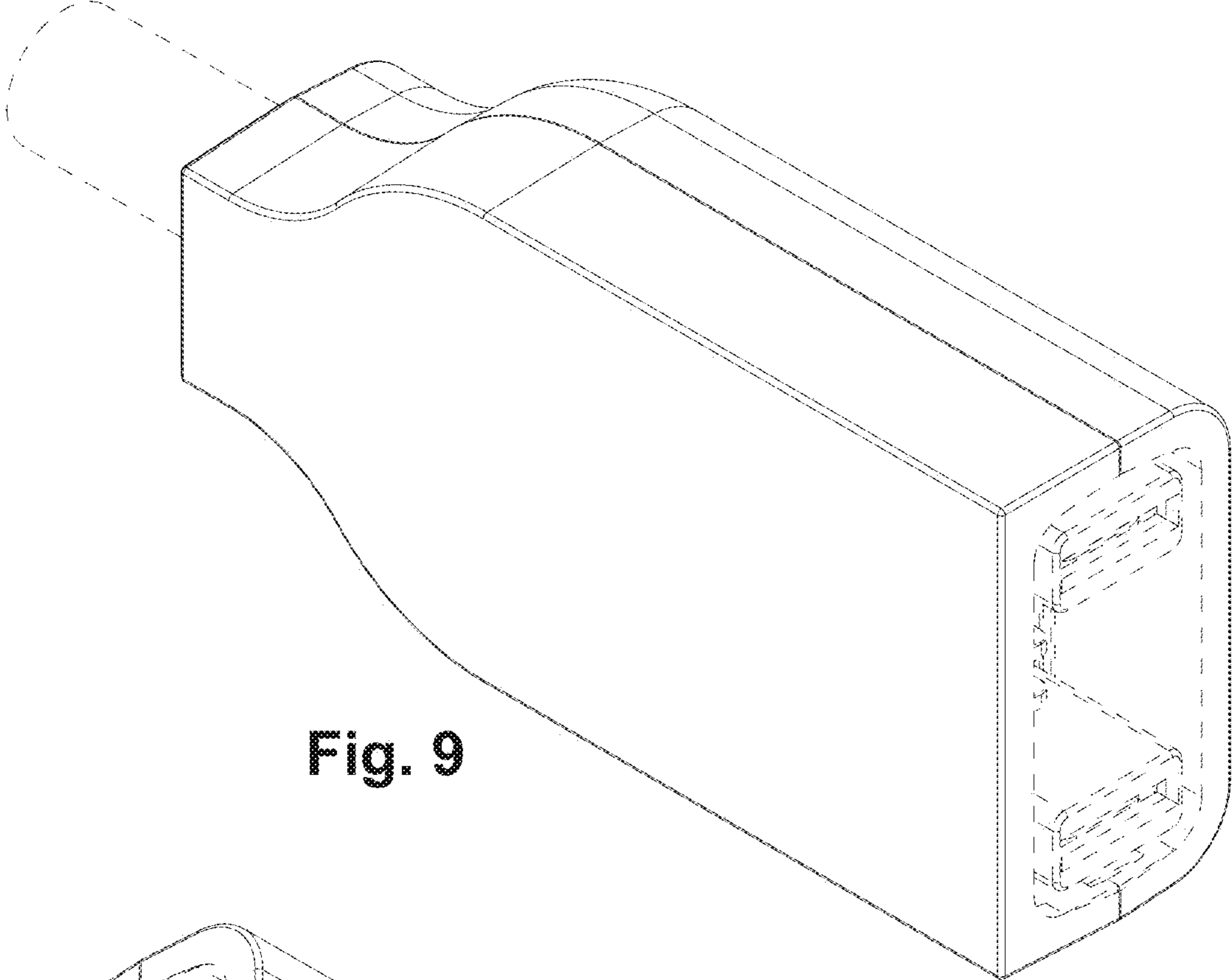


Fig. 9

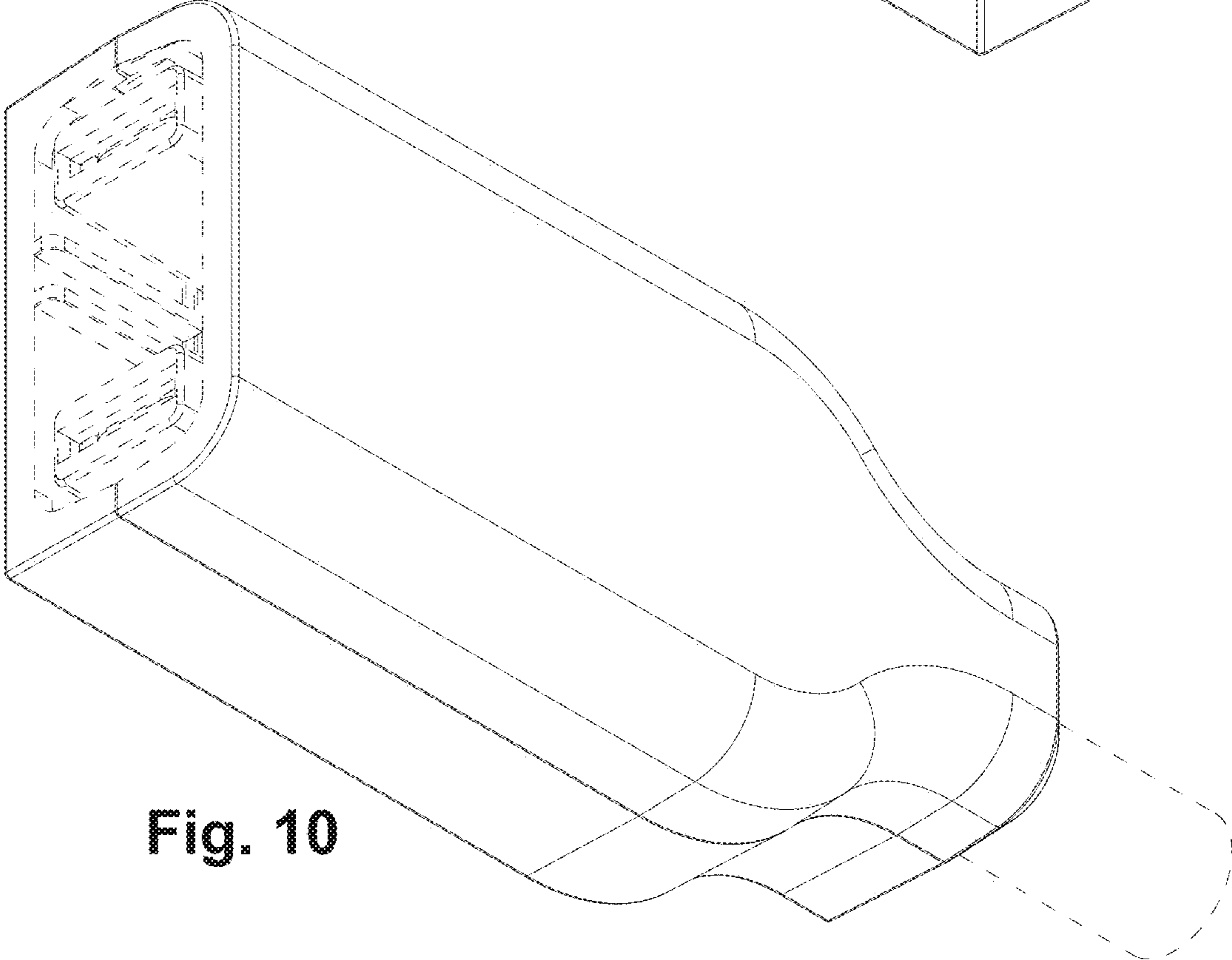


Fig. 10

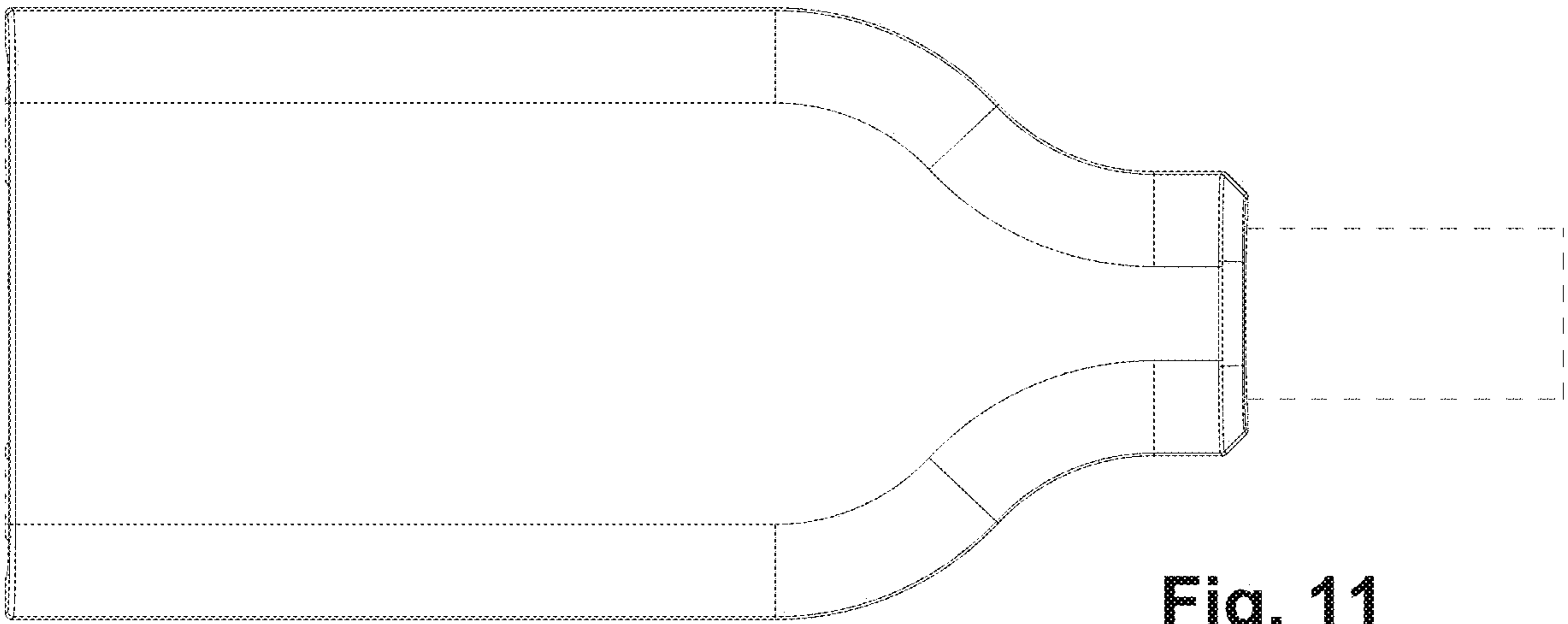


Fig. 11

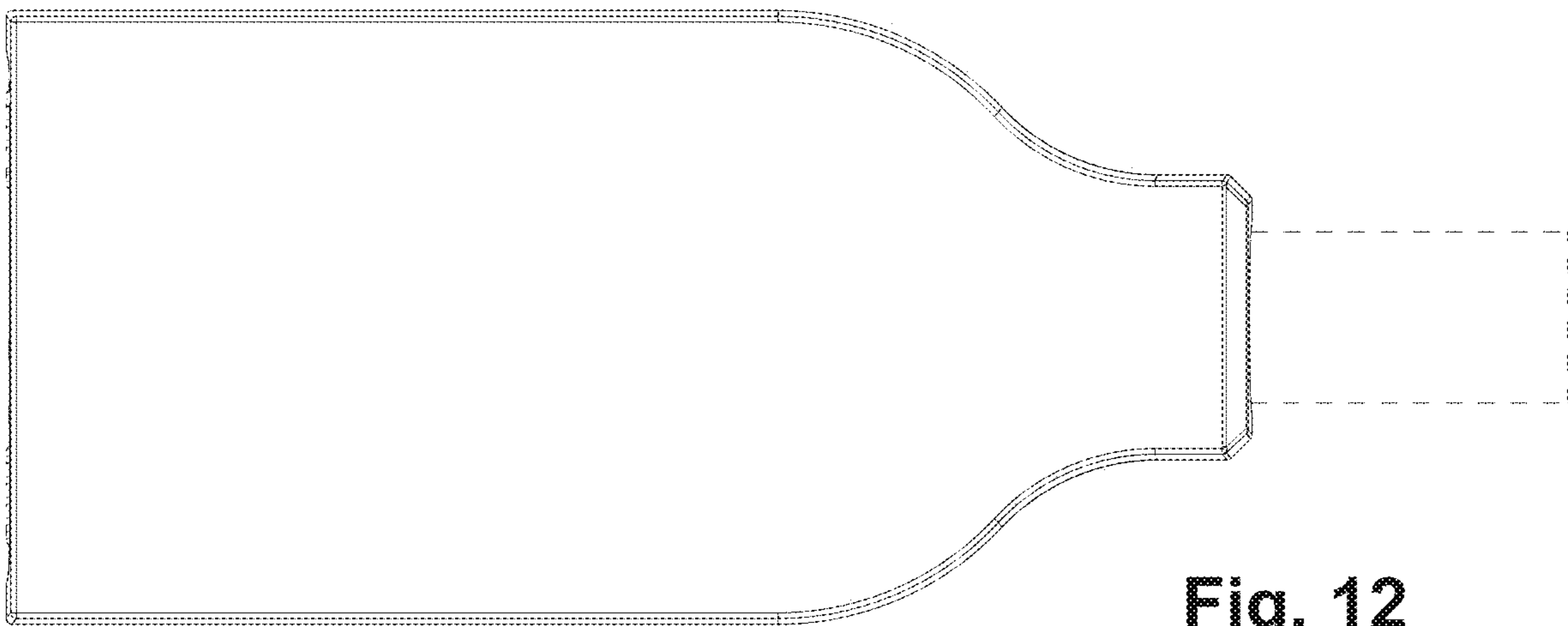


Fig. 12

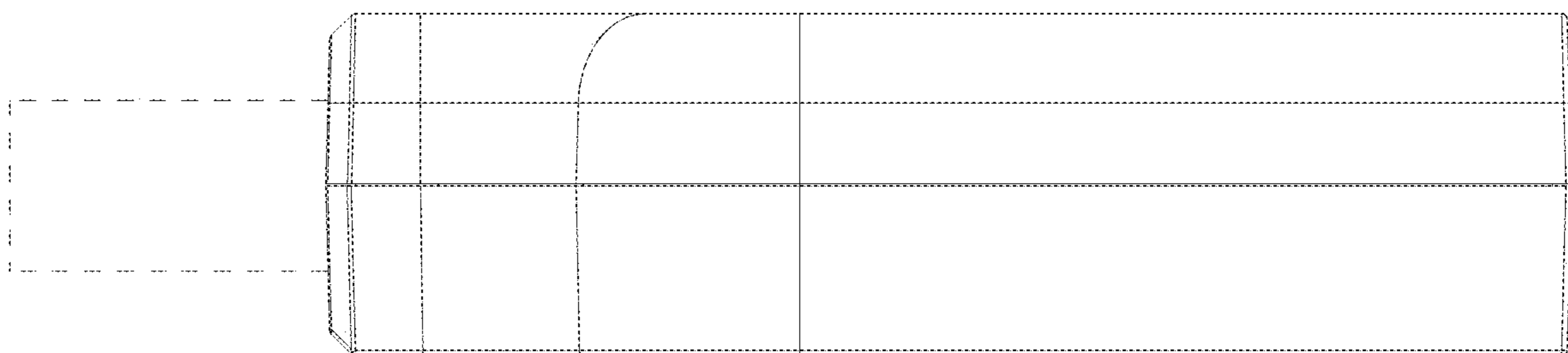


Fig. 13

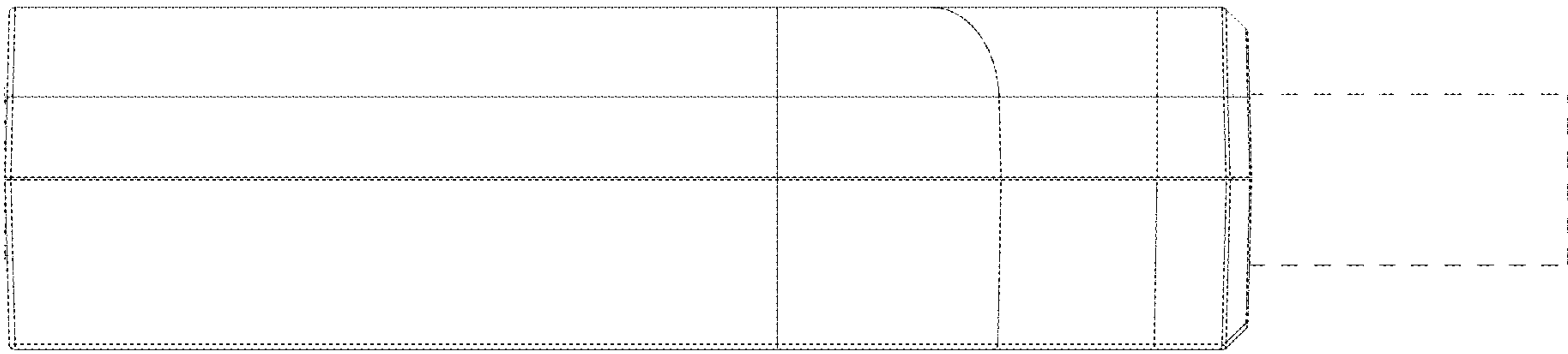


Fig. 14

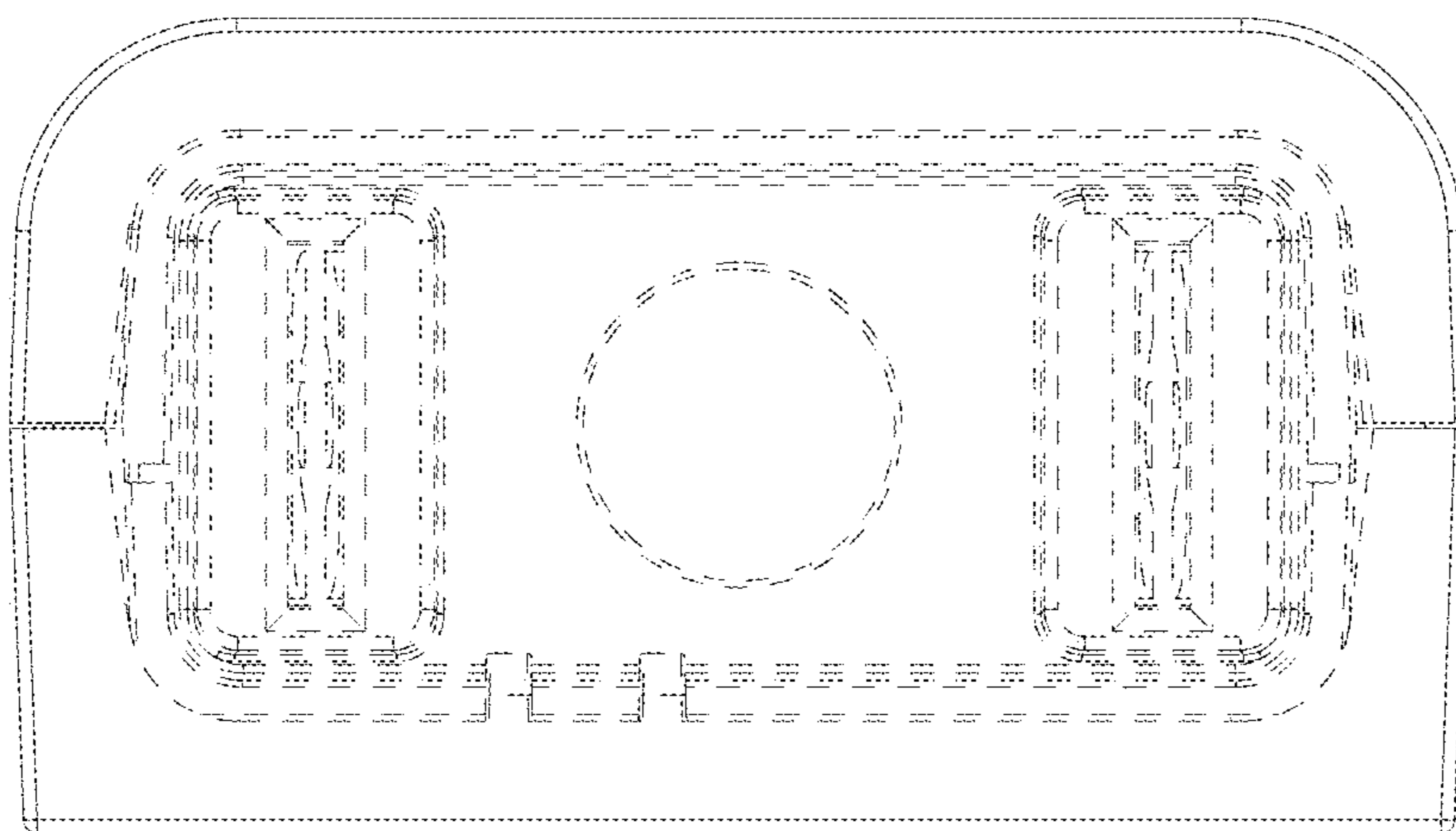


Fig. 15

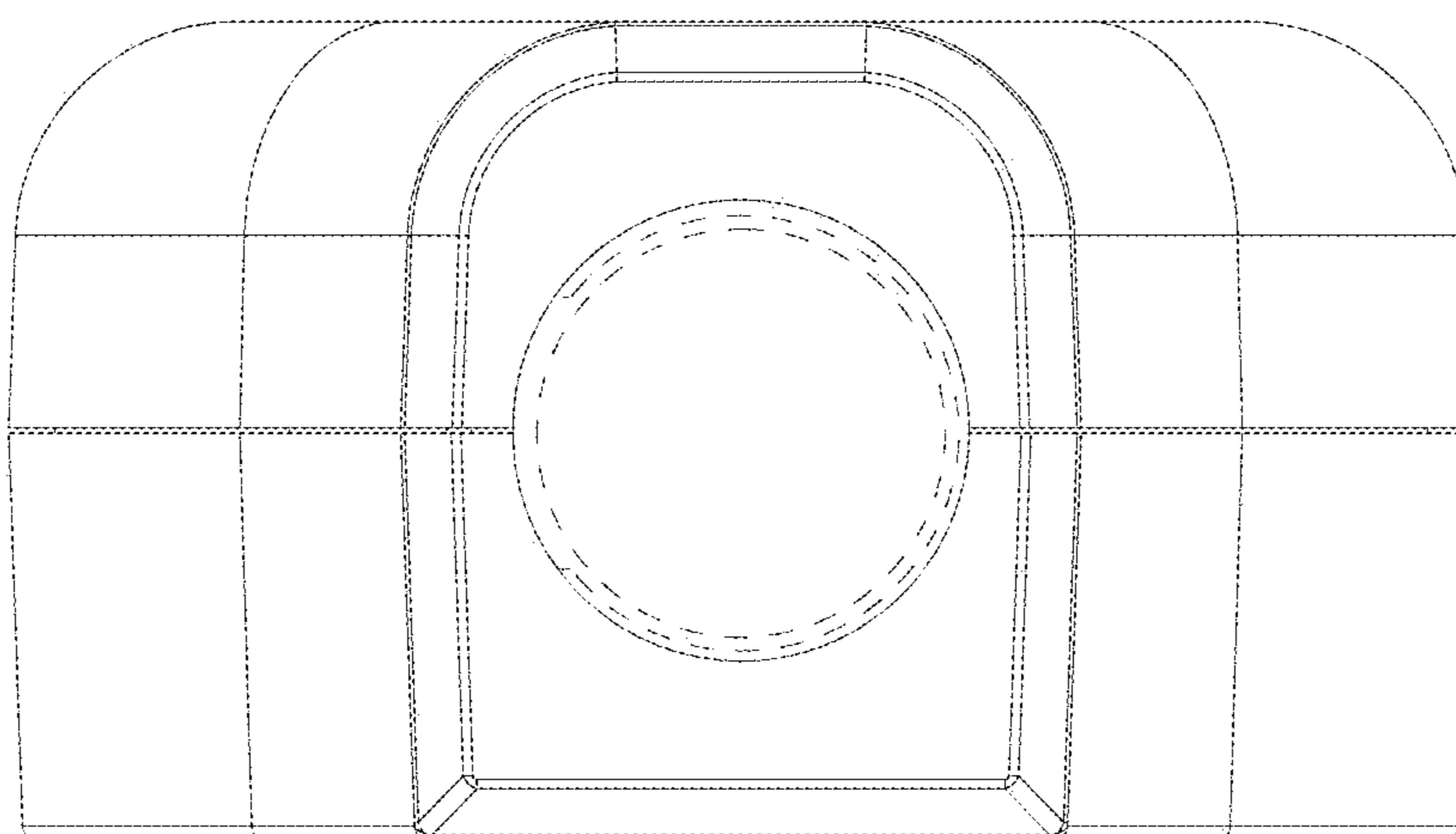


Fig. 16