



US00D951194S

(12) **United States Design Patent**
Ikedo et al.

(10) **Patent No.:** **US D951,194 S**
(45) **Date of Patent:** **** May 10, 2022**

- (54) **HEAD FOR AN ATMOSPHERIC PRESSURE PLASMA EQUIPMENT**
- (71) Applicant: **FUJI CORPORATION**, Aichi-ken (JP)
- (72) Inventors: **Toshiyuki Ikedo**, Nagoya (JP); **Takuya Iwata**, Konan (JP)
- (73) Assignee: **FUJI CORPORATION**, Aichi (JP)
- (**) Term: **15 Years**
- (21) Appl. No.: **29/715,500**
- (22) Filed: **Dec. 3, 2019**
- (51) **LOC (13) Cl.** **13-02**
- (52) **U.S. Cl.**
USPC **D13/123**; D13/199; D13/182
- (58) **Field of Classification Search**
USPC D12/174; D13/110, 123, 133, 146, 184,
D13/199; D15/5, 143, 144; D23/235;
D24/127, 129, 144, 170, 184, 222, 232
CPC H05H 1/2406; H05H 1/34; H05H 1/4697;
H05H 1/3494; H01J 37/32522; H01J
37/3244
See application file for complete search history.

(56) **References Cited**

U.S. PATENT DOCUMENTS

D208,305 S *	8/1967	Dubin	D13/110
D627,316 S *	11/2010	Theisen	D13/182
D679,827 S *	4/2013	Flamm	D24/222
D775,072 S *	12/2016	Reiner	D13/110
2019/0131109 A1 *	5/2019	Jindo	H01J 37/3244
2019/0378694 A1 *	12/2019	Jindo	H05H 1/4697
2020/0029413 A1 *	1/2020	Kusaka	H05H 1/3494
2021/0076480 A1 *	3/2021	Ikedo	H05H 1/34
2021/0120657 A1 *	4/2021	Jindo	H05H 1/2406
2021/0151293 A1 *	5/2021	Jindo	H01J 37/3244
2021/0276054 A1 *	9/2021	Jindo	H01J 37/32522

FOREIGN PATENT DOCUMENTS

JP	2017183119 A *	10/2017
JP	2019050216 A *	3/2019
JP	2020078824 A *	5/2020

OTHER PUBLICATIONS

Fuji, Date Not Available, [online], [site visited Nov. 22, 2021]. Available from internet, URL: <https://www.fuji.co.jp/en/items/plasma/fpf20-st> (Year: 2021).*

* cited by examiner

Primary Examiner — Shawn T Gingrich
Assistant Examiner — Bryan Nolan Melvin
(74) *Attorney, Agent, or Firm* — JCIPRNET

(57) **CLAIM**

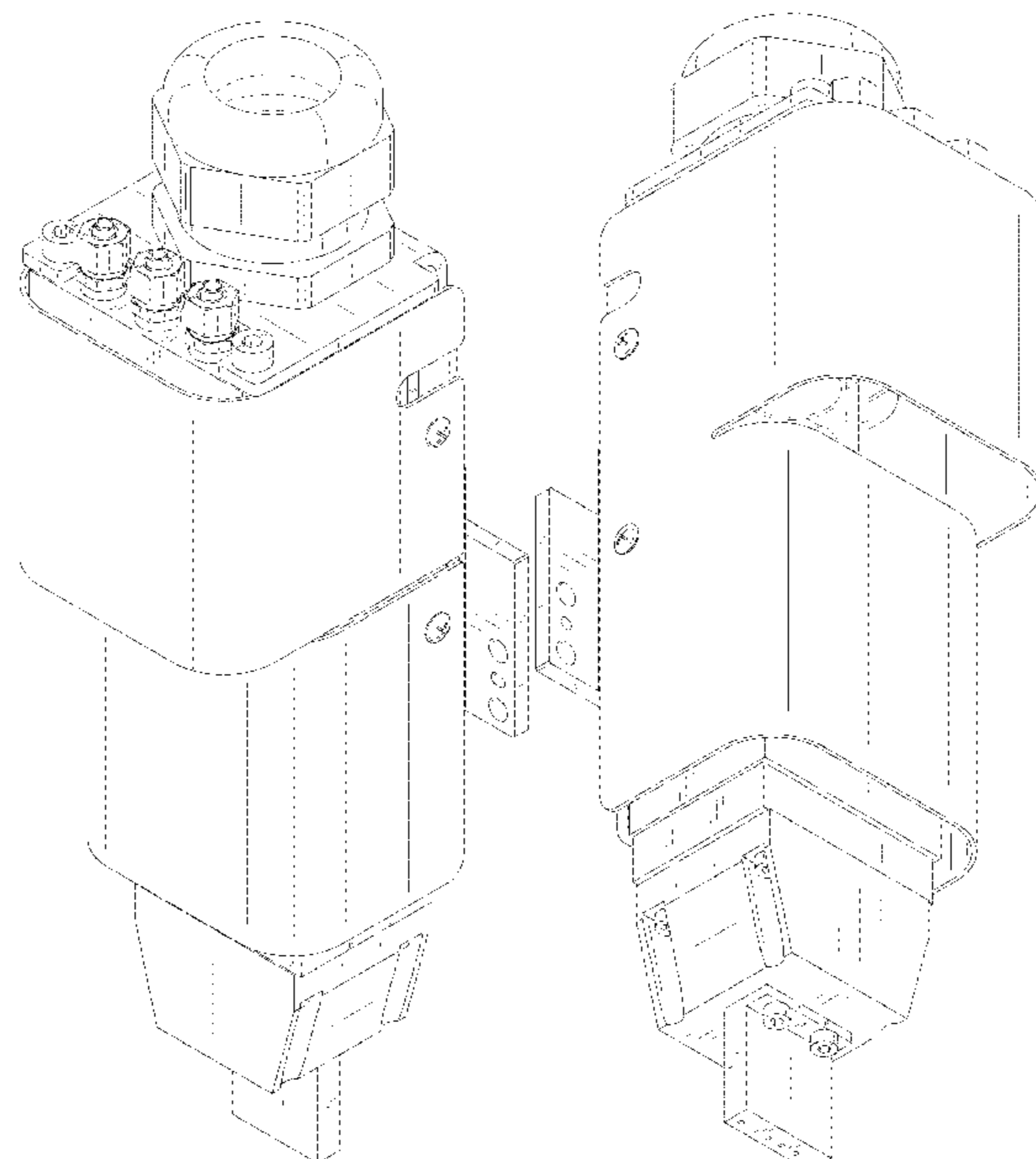
The ornamental design for a head for an atmospheric pressure plasma equipment, as shown and described.

DESCRIPTION

FIG. 1 is a perspective view of a head for an atmospheric pressure plasma equipment showing our new design; FIG. 2 is another perspective view thereof; FIG. 3 is still another perspective view thereof; FIG. 4 is yet another perspective view thereof; FIG. 5 is a front view thereof; FIG. 6 is a rear view thereof; FIG. 7 is a left side view thereof; FIG. 8 is a right side view thereof; FIG. 9 is a top view thereof; and, FIG. 10 is a bottom view thereof.

The dashed broken lines illustrate portions of the head for an atmospheric pressure plasma equipment that form no part of the claimed design.

1 Claim, 9 Drawing Sheets



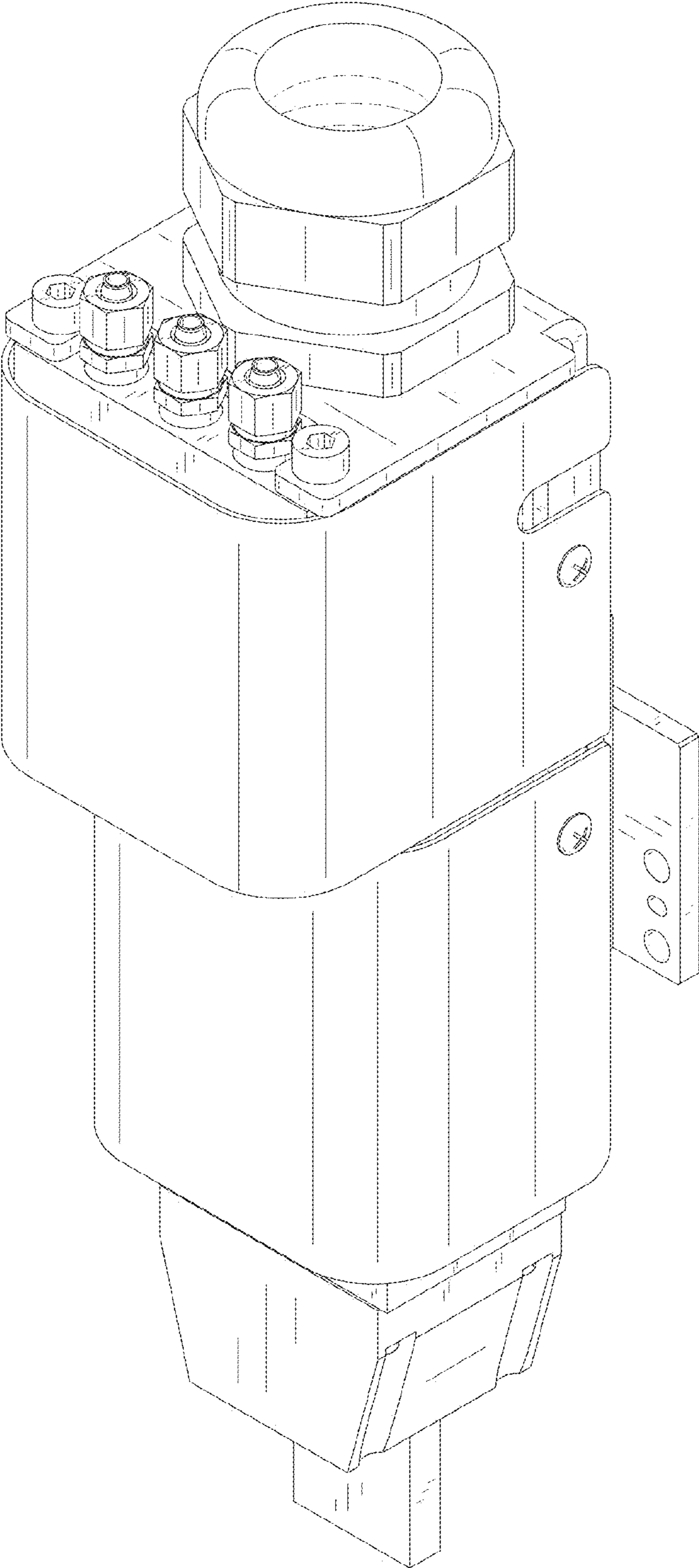


FIG. 1

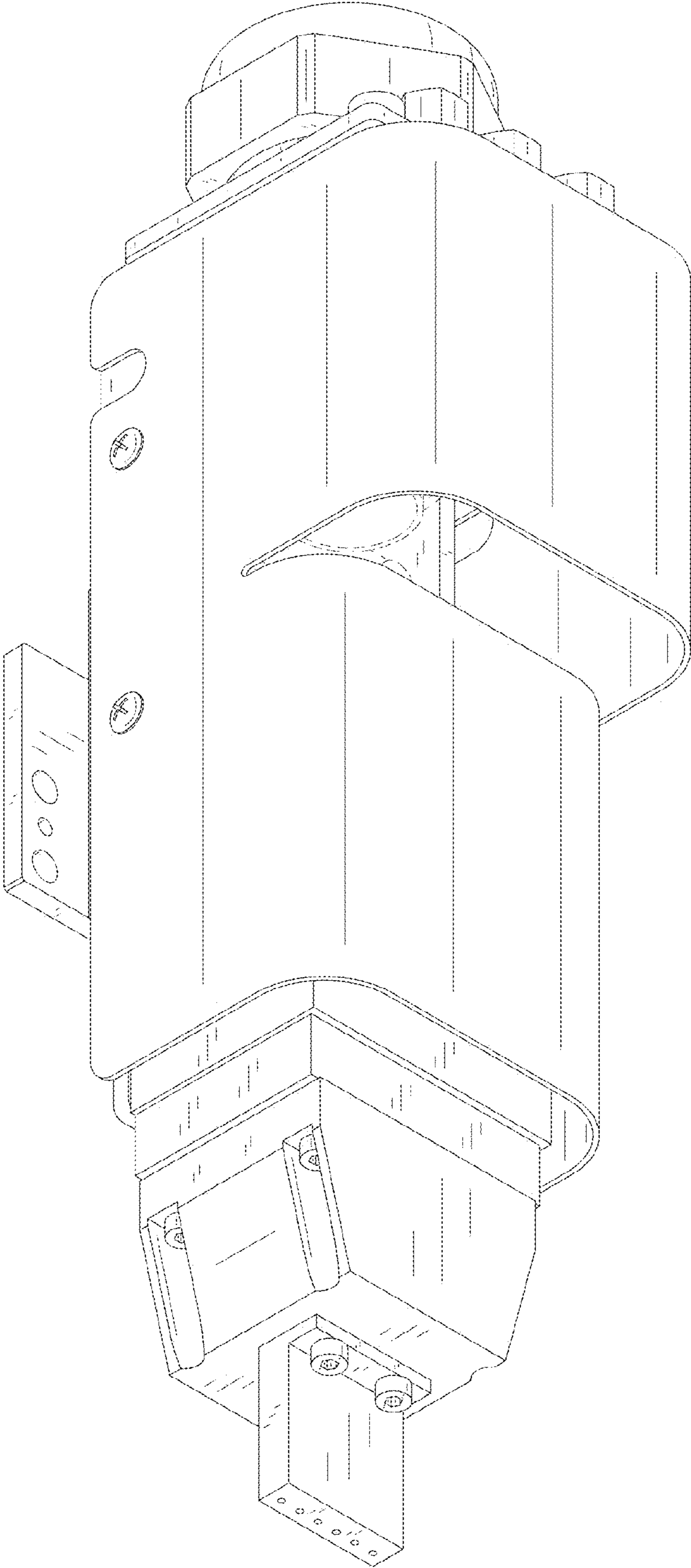


FIG. 2

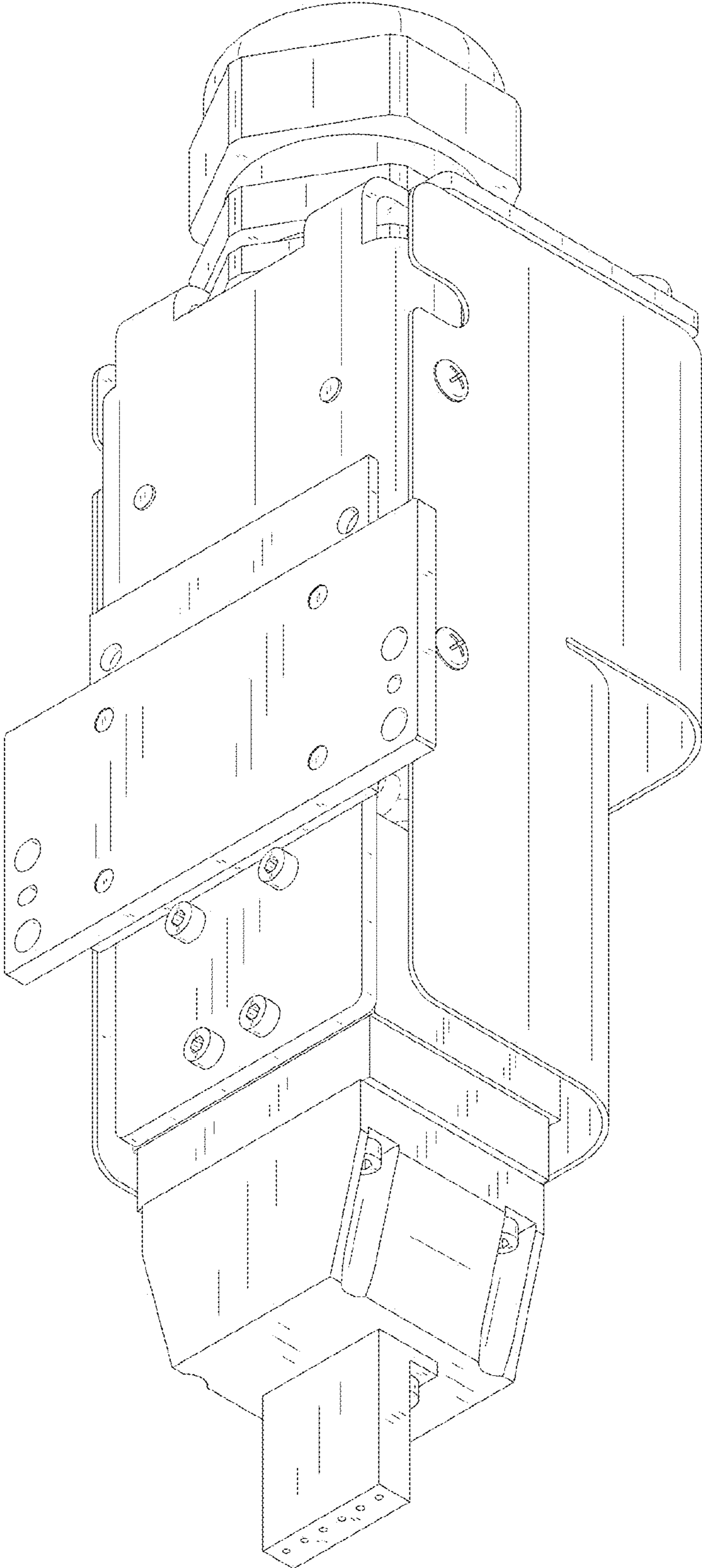


FIG. 3

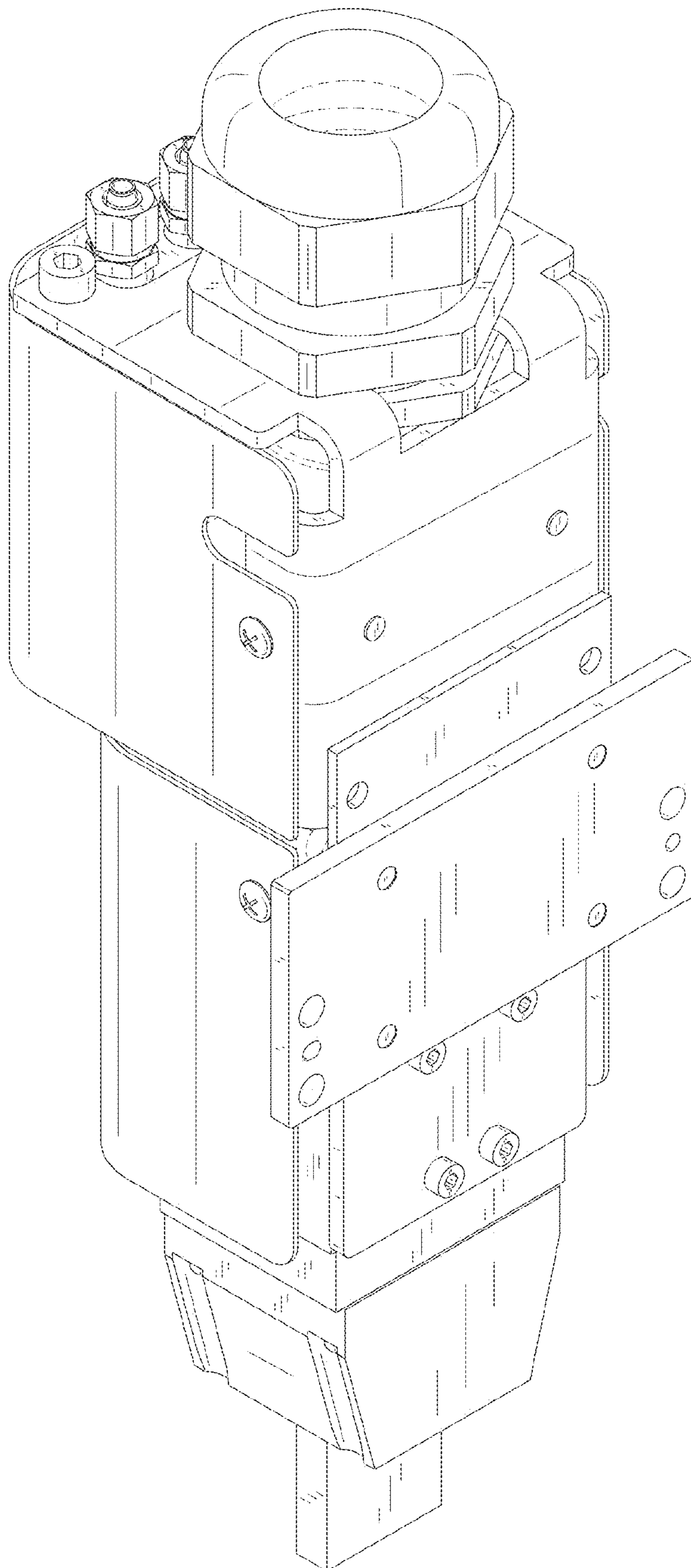


FIG. 4

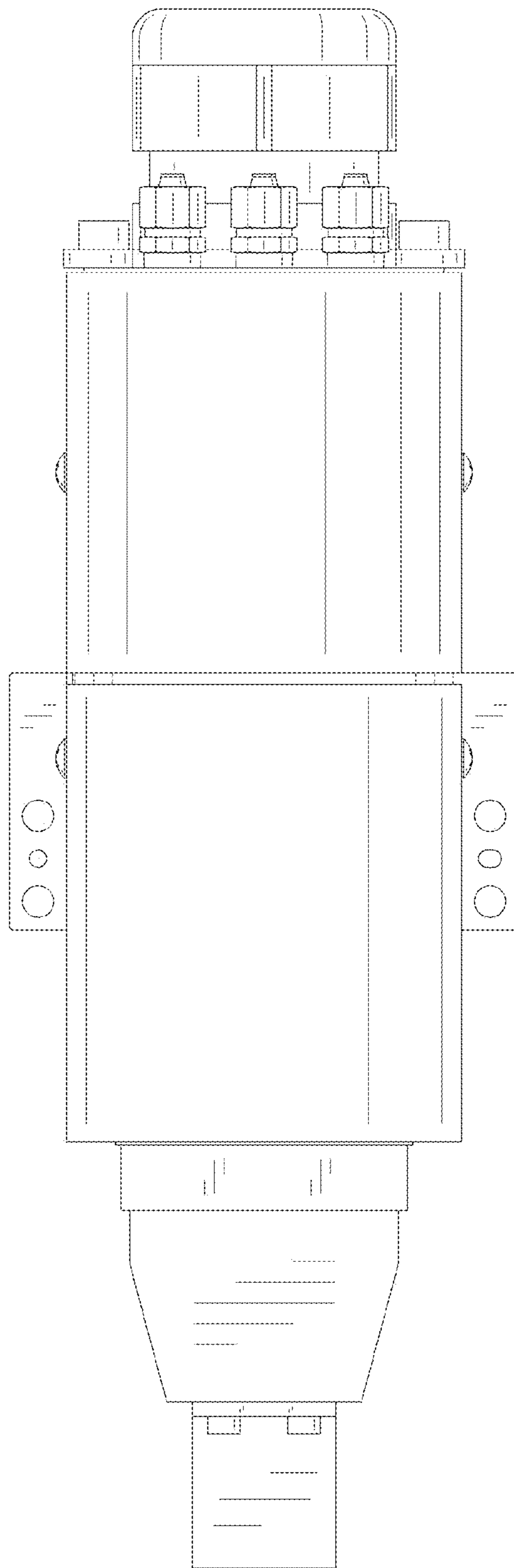


FIG. 5

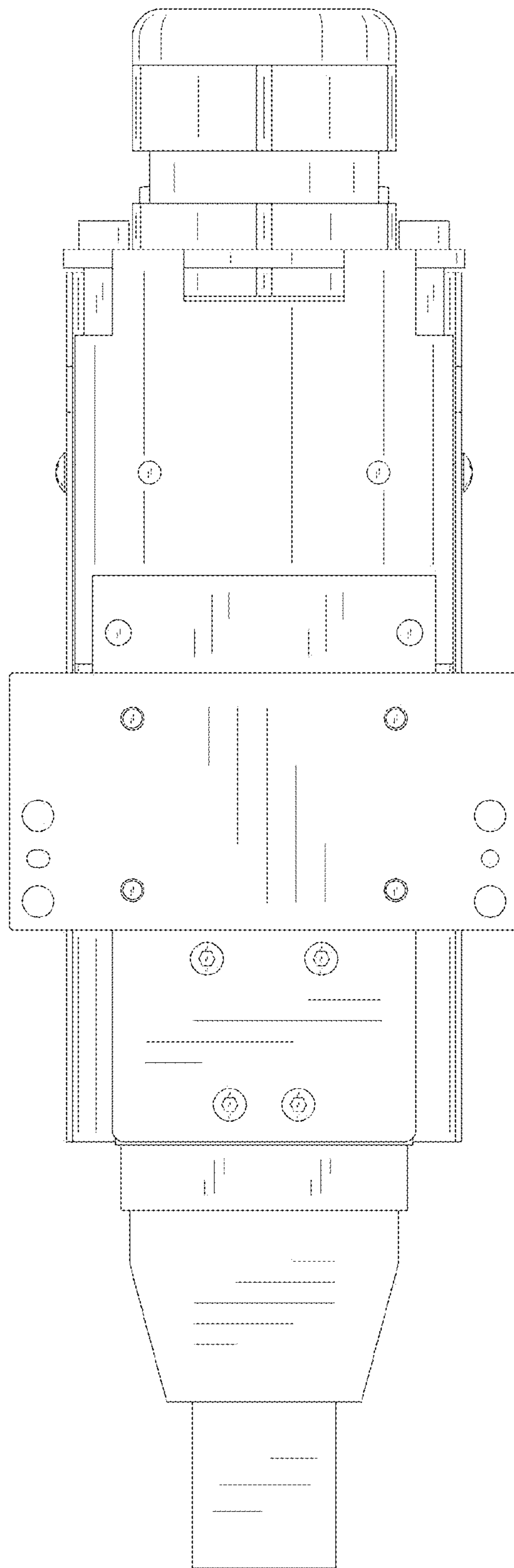


FIG. 6

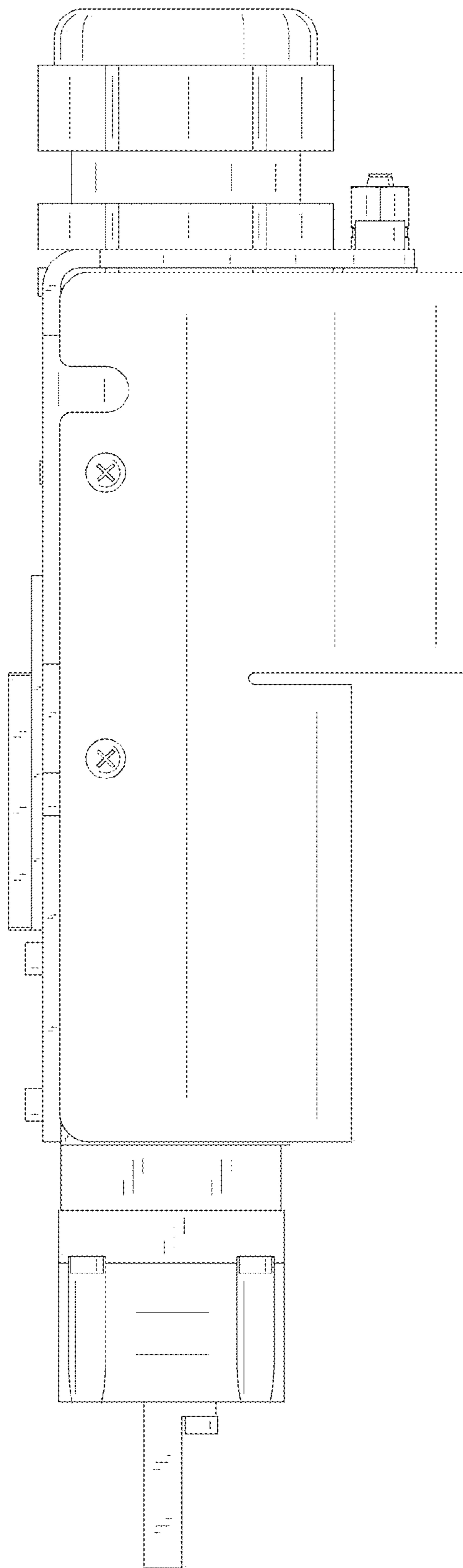


FIG. 7

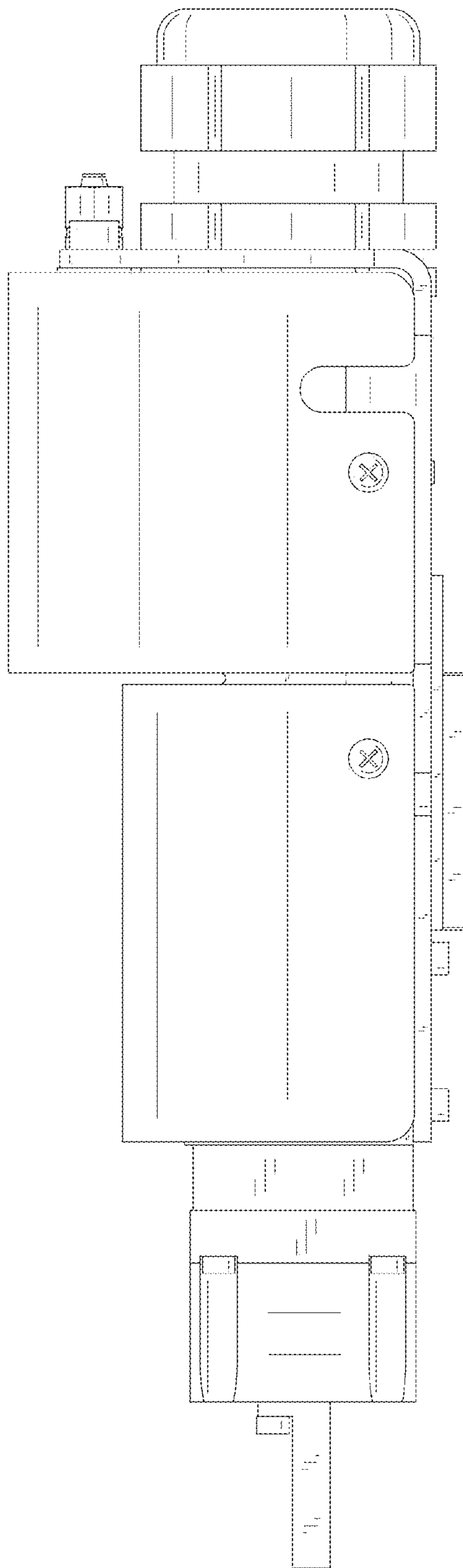


FIG. 8

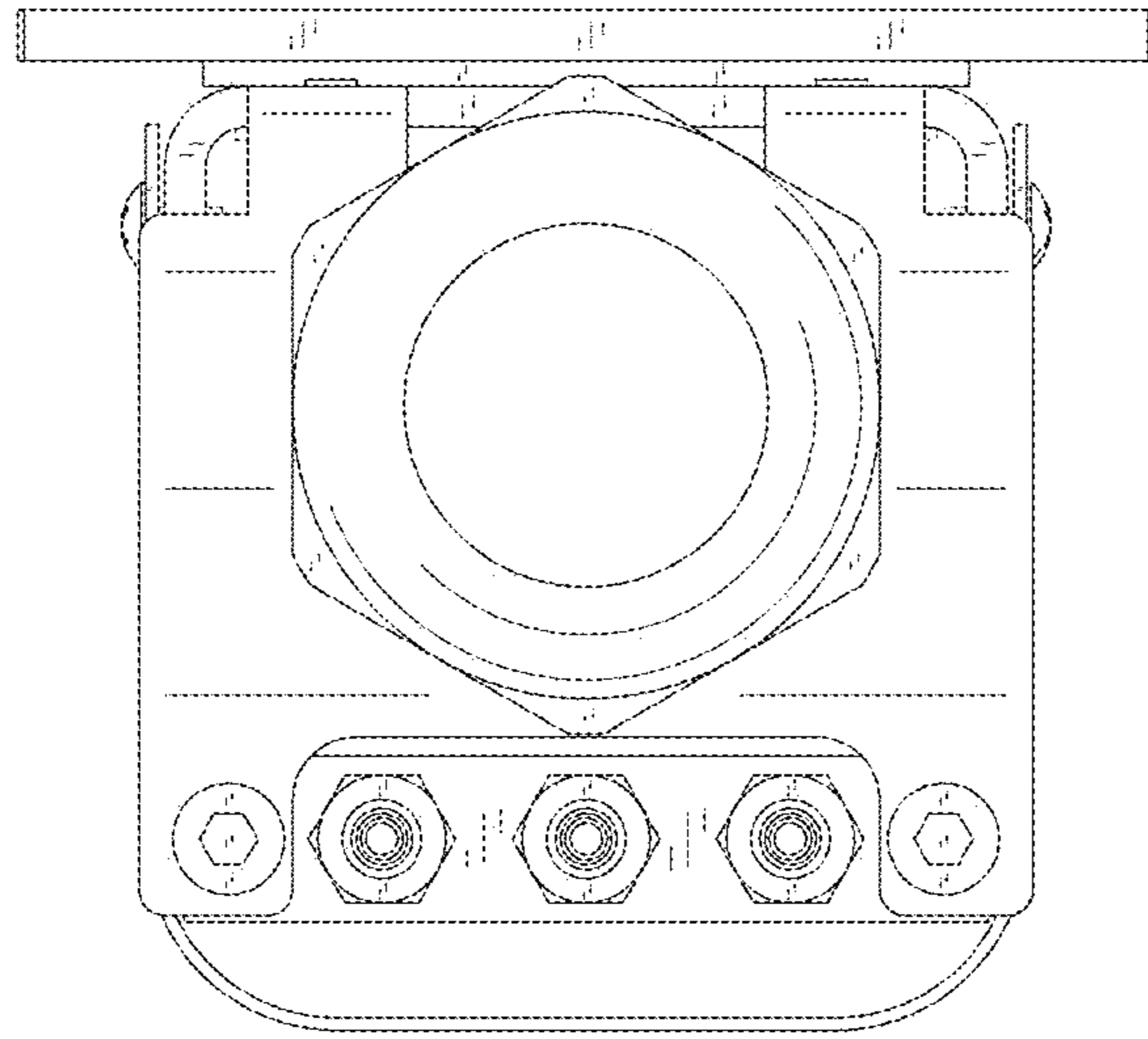


FIG. 9

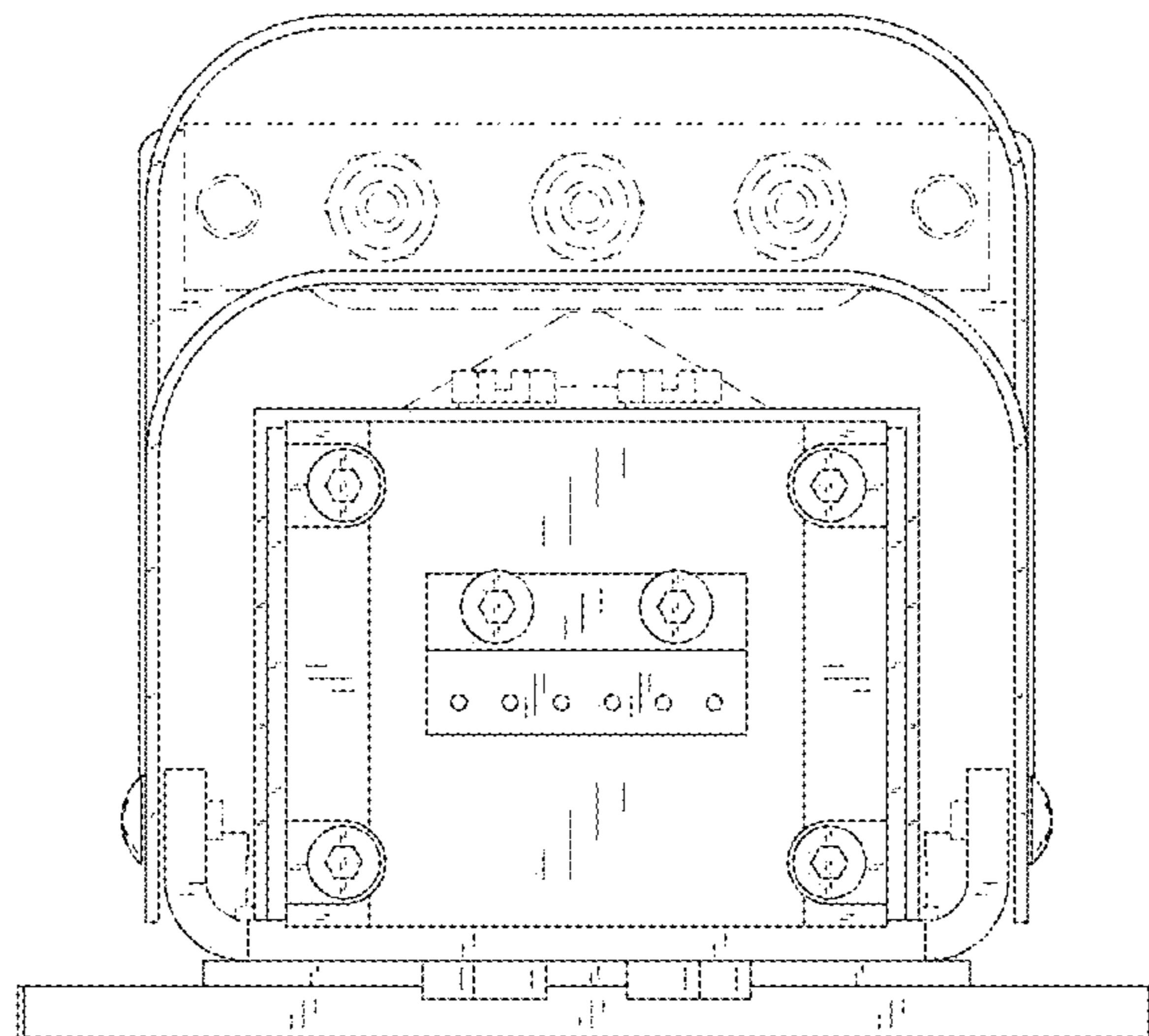


FIG. 10