



US00D951192S

(12) **United States Design Patent** (10) **Patent No.:** **US D951,192 S**
Ji (45) **Date of Patent:** **** May 10, 2022**

(54) **GENERATOR RUNNING COVER**
(71) Applicant: **SHENZHEN LEJIAN LIFE HEALTH MANAGEMENT CONSULTING CO., LTD.**, Shenzhen (CN)
(72) Inventor: **Qianwen Ji**, Shenzhen (CN)
(73) Assignee: **SHENZHEN LEJIAN LIFE HEALTH MANAGEMENT CONSULTING CO., LTD.**, Shenzhen (CN)

9,212,604 B2 * 12/2015 Danforth, III F02B 63/04
D785,568 S * 5/2017 Reif D13/122
D801,924 S * 11/2017 Priem D13/112
D851,614 S 6/2019 Ji
D903,596 S * 12/2020 Nielson D13/122
2008/0185801 A1 * 8/2008 Gravlin B62B 3/02
280/47.11
2013/0074421 A1 * 3/2013 Wood B62J 7/08
52/3

(**) Term: **15 Years**

(21) Appl. No.: **29/798,408**

(22) Filed: **Jul. 7, 2021**

(51) **LOC (13) Cl.** **13-01**

(52) **U.S. Cl.**
USPC **D13/122; D13/184; D21/834**

(58) **Field of Classification Search**
USPC D13/112, 113, 114, 116, 118, 122, 184, D13/199; D21/834, 837
CPC F16M 3/00; F02B 2063/045; F02B 2063/046; F02B 63/04; F02B 63/042; F02B 63/048; E04H 15/36; E04H 15/58; E04H 15/425; H05K 5/02; H05K 5/03; H05K 5/10; H05K 5/0213; H05K 5/0226; H02K 3/24; H02K 3/47; F01N 1/083; F01N 1/084
See application file for complete search history.

(56) **References Cited**

U.S. PATENT DOCUMENTS

D366,511 S * 1/1996 Coddington, Jr. D21/834
D420,414 S * 2/2000 Lah D21/834
D564,450 S * 3/2008 Gravlin D13/122
8,132,585 B2 * 3/2012 Rothweil A45F 3/52
135/117
D662,055 S * 6/2012 Little D13/122

OTHER PUBLICATIONS

<https://www.protocolreviews.com/tools/outdoor-equipment/gentent-review/35598/> Protocol Reviews/Gentent review Feb. 15, 2018 (Year: 2018).*

* cited by examiner

Primary Examiner — Derrick E Holland

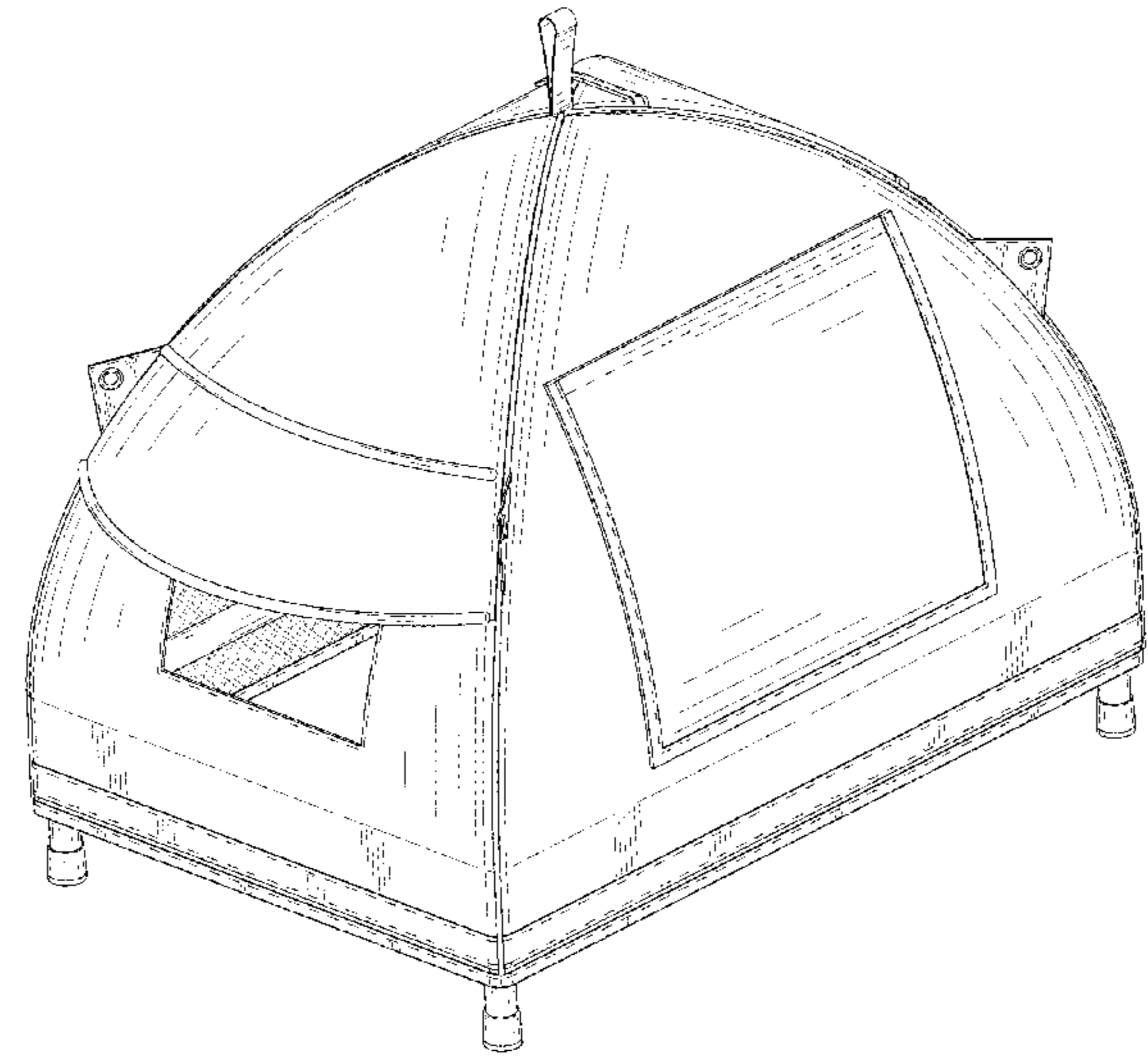
(57) **CLAIM**

The ornamental design for a generator running cover, as shown and described.

DESCRIPTION

FIG. 1 is a perspective view of a generator running cover showing my new design;
FIG. 2 is another perspective view thereof;
FIG. 3 is a front elevational view thereof;
FIG. 4 is a rear elevational view thereof;
FIG. 5 is a left side elevational view thereof;
FIG. 6 is a right side elevational view thereof;
FIG. 7 is a top plan view thereof; and,
FIG. 8 is a bottom plan view thereof.
The thick long even-spaced broken lines in the drawings depict stitching that form no part of the claimed design. The thin short broken lines in the drawings depict portions of the generator running cover that form no part of the claimed design.

1 Claim, 8 Drawing Sheets



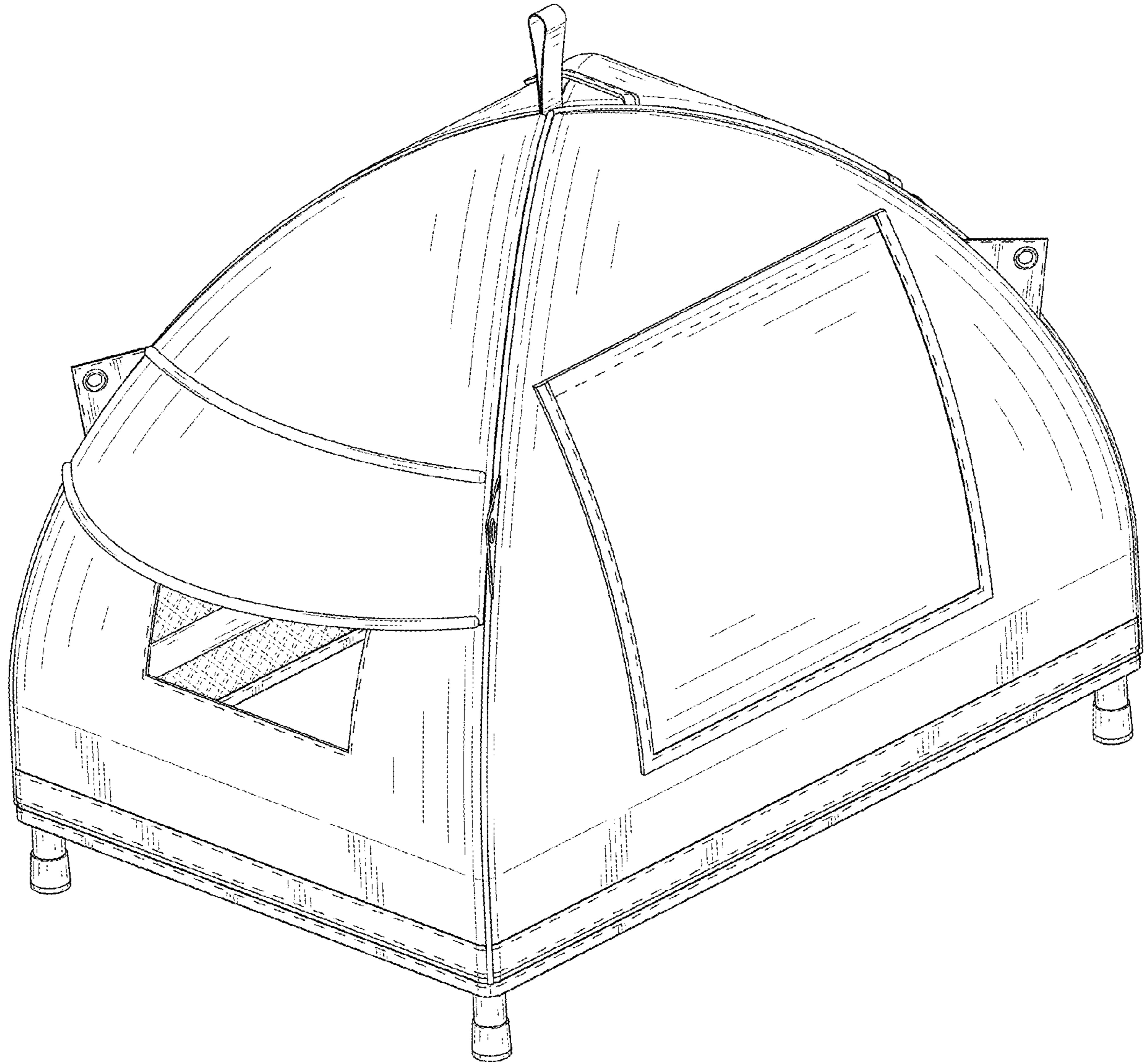


FIG. 1

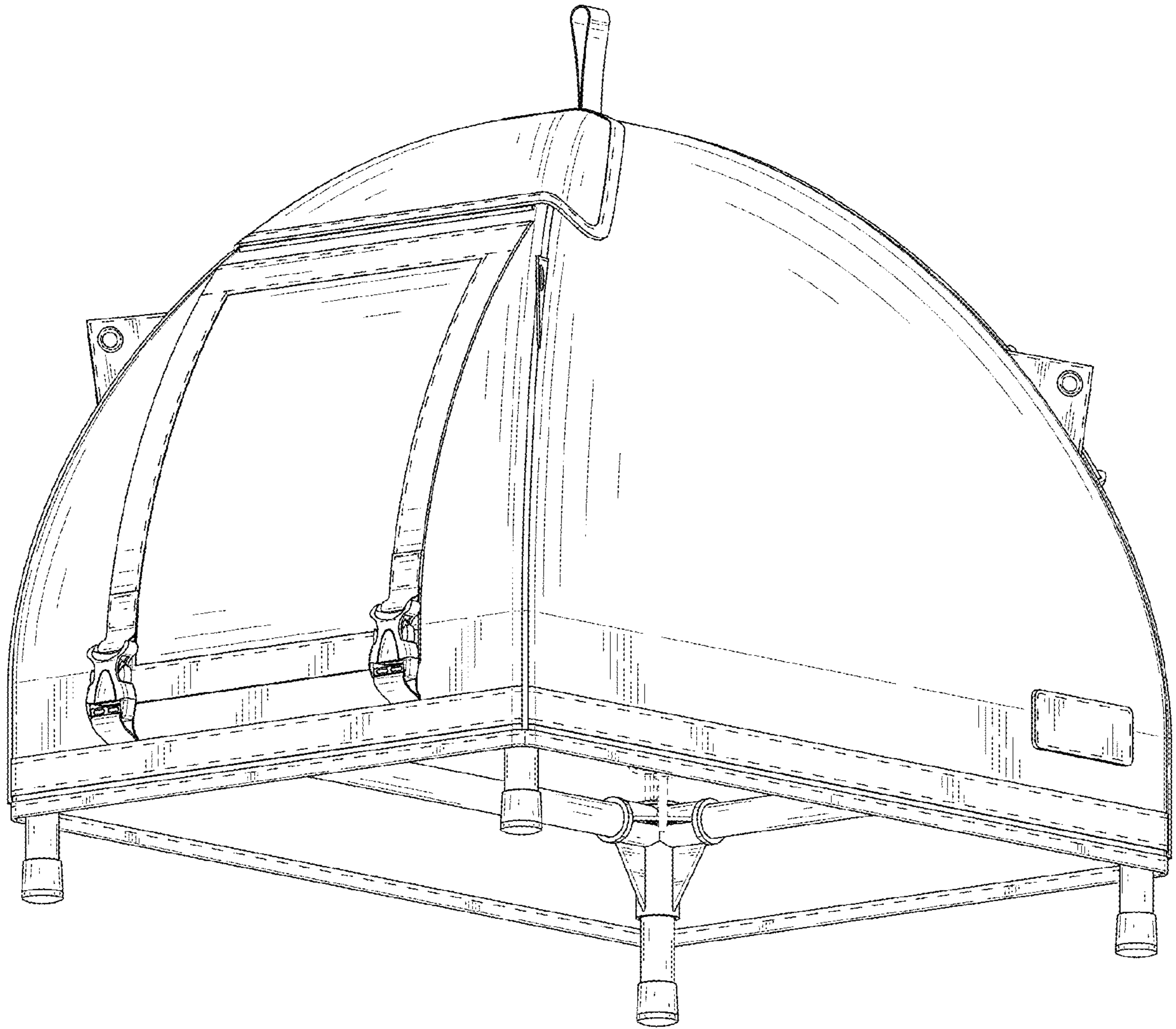


FIG. 2

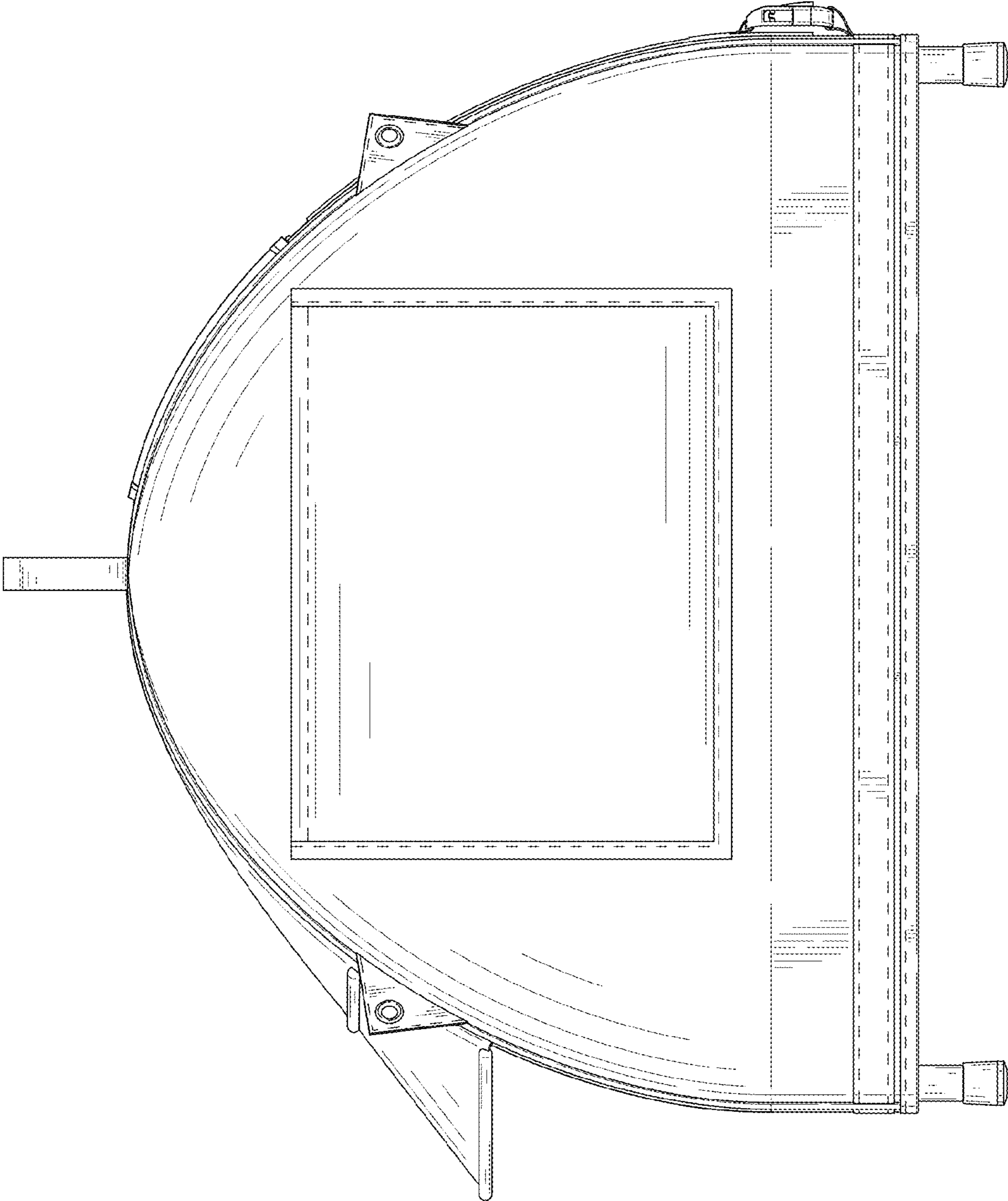


FIG. 3

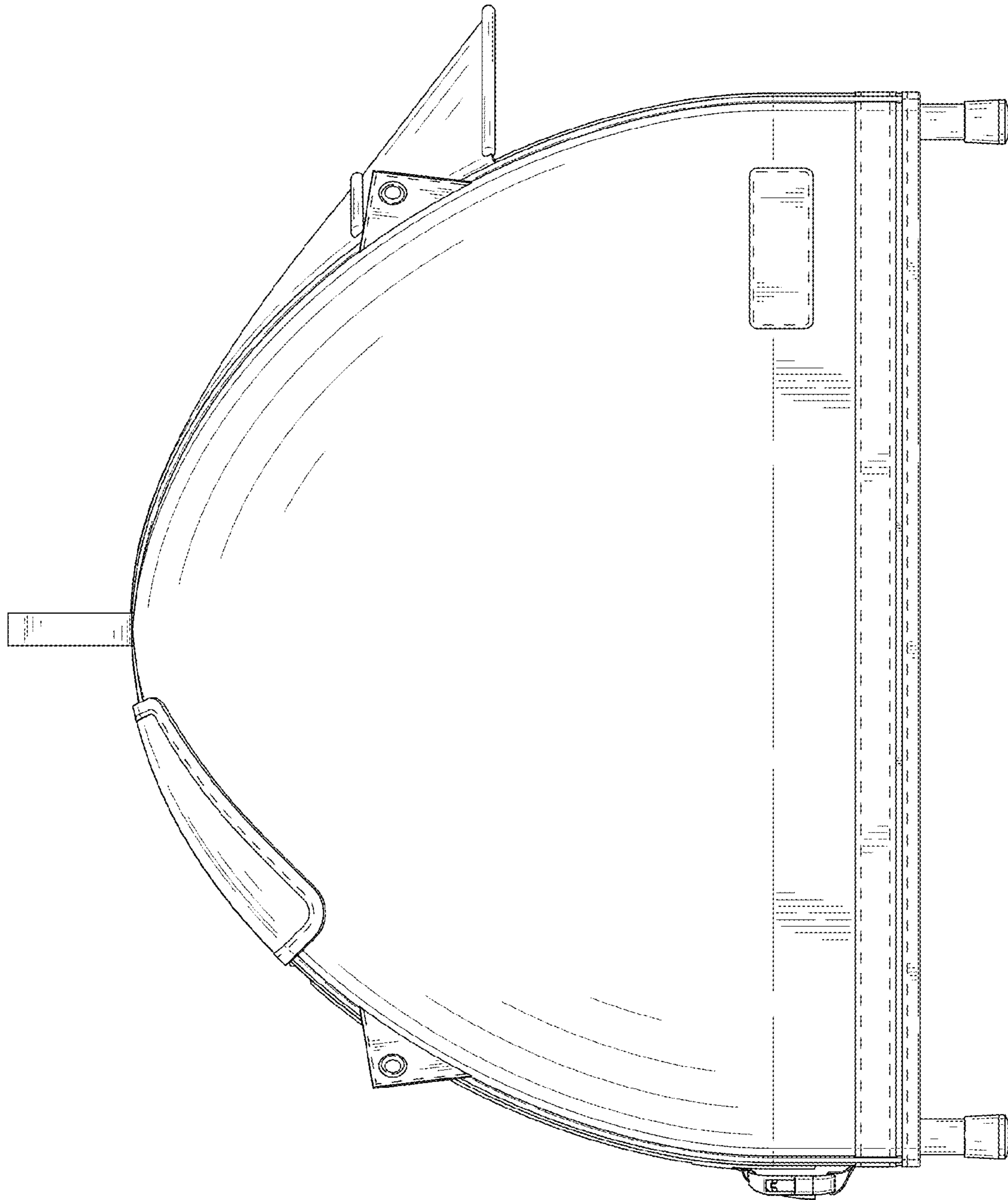


FIG. 4

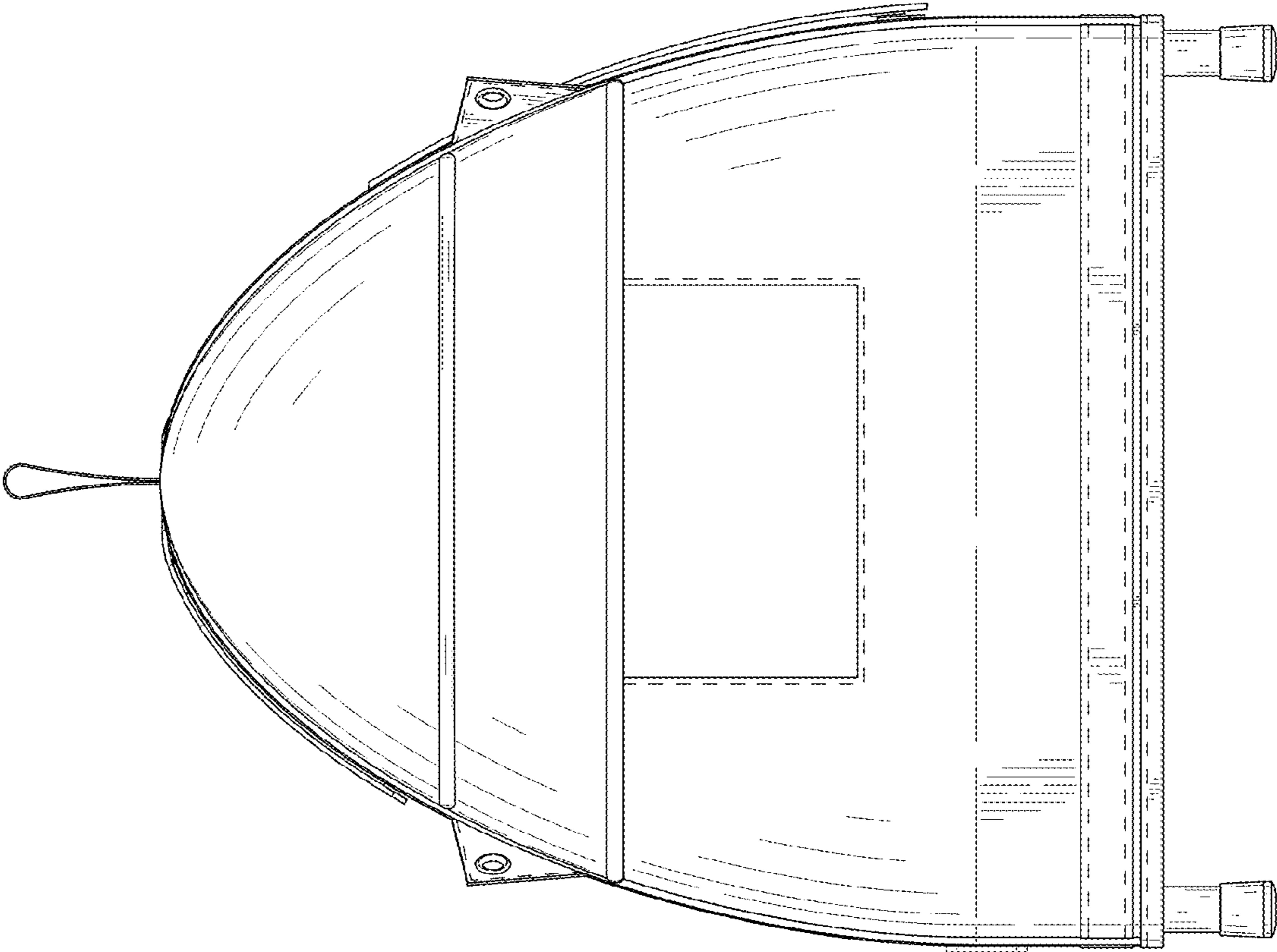


FIG. 5

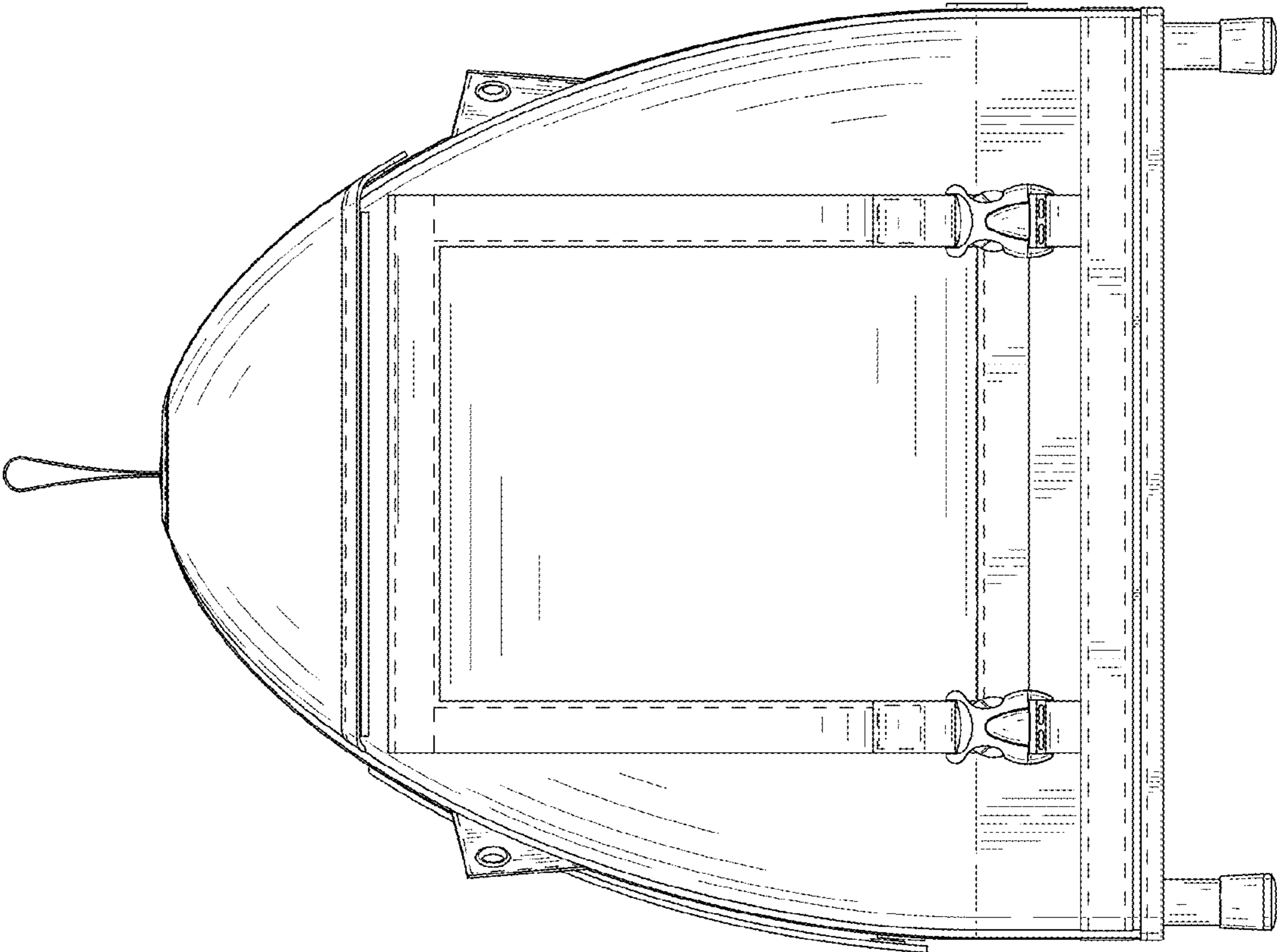


FIG. 6

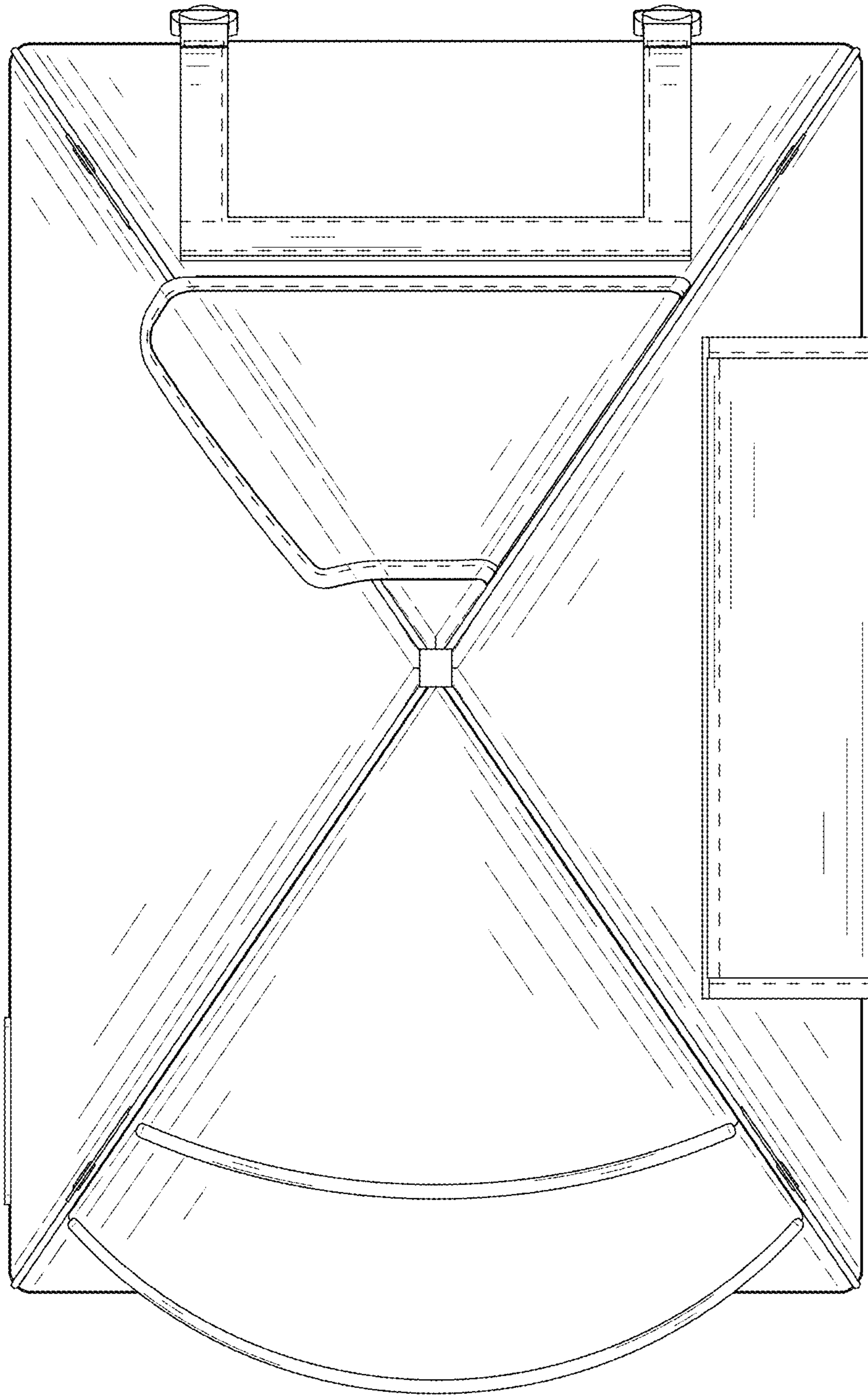


FIG. 7

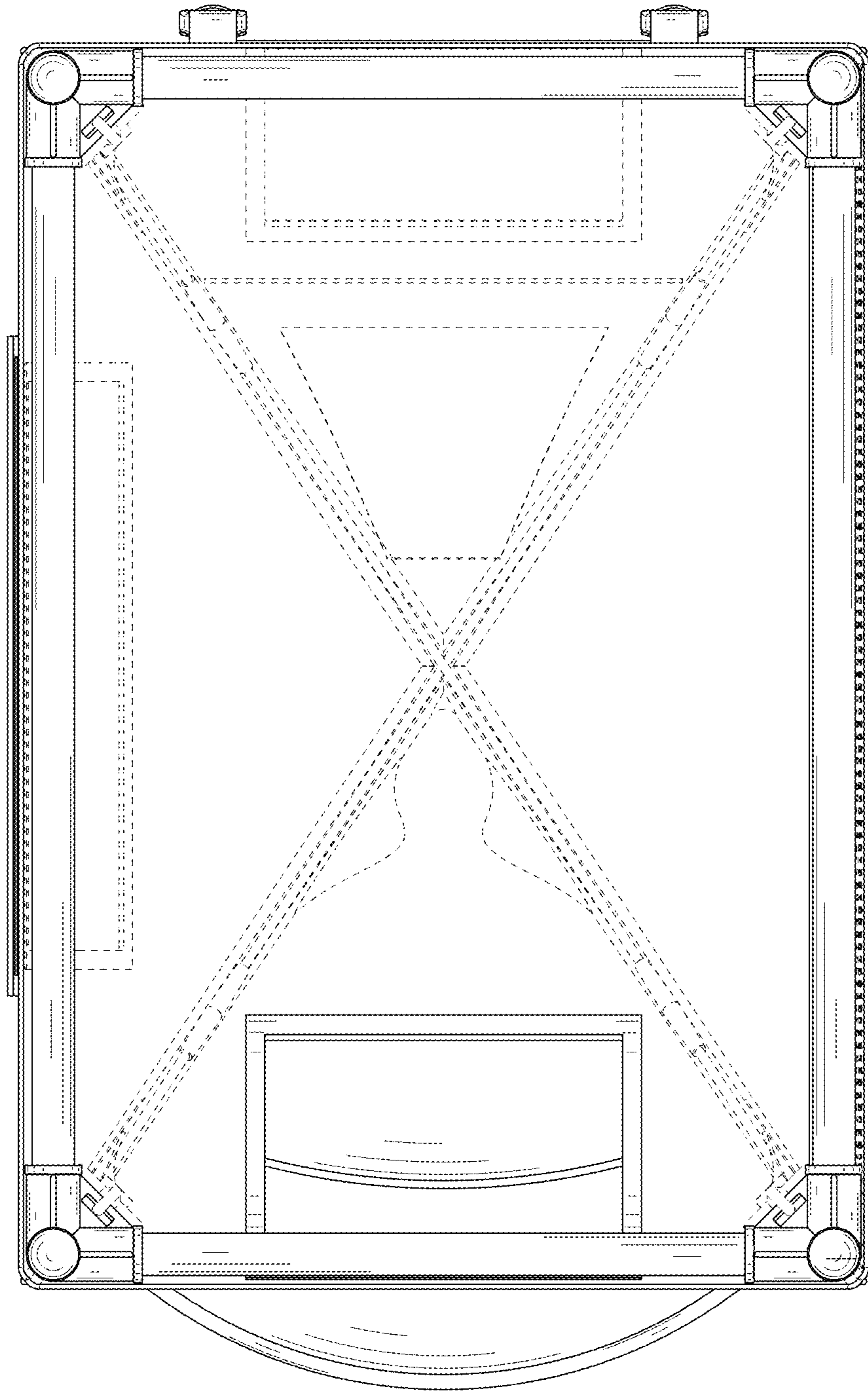


FIG. 8