



US00D951191S

(12) **United States Design Patent**
Chang et al.

(10) **Patent No.:** **US D951,191 S**
(45) **Date of Patent:** **** May 10, 2022**

(54) **ELECTRODE HEAD**

(71) Applicants: **SOLTEAM ELECTRONICS (DONG GUAN) CO., LTD.**, Dong Guan (CN); **SOLTEAM ELECTRONICS (SU ZHOU) CO., LTD.**, Wu Jiang (CN); **SOLTEAM ELECTRONICS CO., LTD.**, Taoyuan (TW)

(72) Inventors: **Chun-Yun Chang**, Taoyuan (TW); **Ying-Sung Ho**, Taoyuan (TW); **Ta-Feng Yeh**, Taoyuan (TW); **Cheng-Wei Lu**, Taoyuan (TW); **Chih-Hao Liu**, Taoyuan (TW)

(73) Assignees: **SOLTEAM ELECTRONICS (DONG GUAN) CO., LTD.**, Dong Guan (CN); **SOLTEAM ELECTRONICS (SU ZHOU) CO., LTD.**, Wu Jiang (CN); **SOLTEAM INCORPORATION**, Taoyuan (TW)

(**) Term: **15 Years**

(21) Appl. No.: **29/752,314**

(22) Filed: **Sep. 26, 2020**

(51) **LOC (13) Cl.** **13-03**

(52) **U.S. Cl.**
USPC **D13/121; D13/127**

(58) **Field of Classification Search**
USPC D8/354; D9/424; D10/101; D13/120, D13/121, 127, 133, 146, 147, 149, 154, D13/158, 159, 161, 184, 199; D15/144
CPC H01T 13/08; H01T 13/14; H01T 13/34; H01T 13/467; F02B 23/0657; H01R 13/40

See application file for complete search history.

(56) **References Cited**

U.S. PATENT DOCUMENTS

3,079,453	A *	2/1963	Clark	H01T 13/08
					123/169 V
3,239,710	A *	3/1966	Toporzysek	H01T 13/14
					313/143
3,313,972	A *	4/1967	Beesch	H01T 13/467
					313/130
3,346,760	A *	10/1967	Jalbing	H01T 13/34
					313/136
D238,678	S *	2/1976	Hornsby	D13/127
D551,182	S *	9/2007	Furukawa	D10/101
7,347,174	B2 *	3/2008	Jun	F02B 23/0657
					123/169 EL
D605,058	S *	12/2009	McGrath	D9/424
D611,902	S *	3/2010	Jun	D13/127
D647,548	S *	10/2011	Savill, Jr.	D15/144
8,933,618	B2 *	1/2015	Sakakura	H01T 13/34
					313/145
D776,177	S *	1/2017	Namburu	D15/144
10,446,961	B1 *	10/2019	Chang	H01R 13/40

* cited by examiner

Primary Examiner — Shawn T Gingrich
Assistant Examiner — Bryan N. Melvin

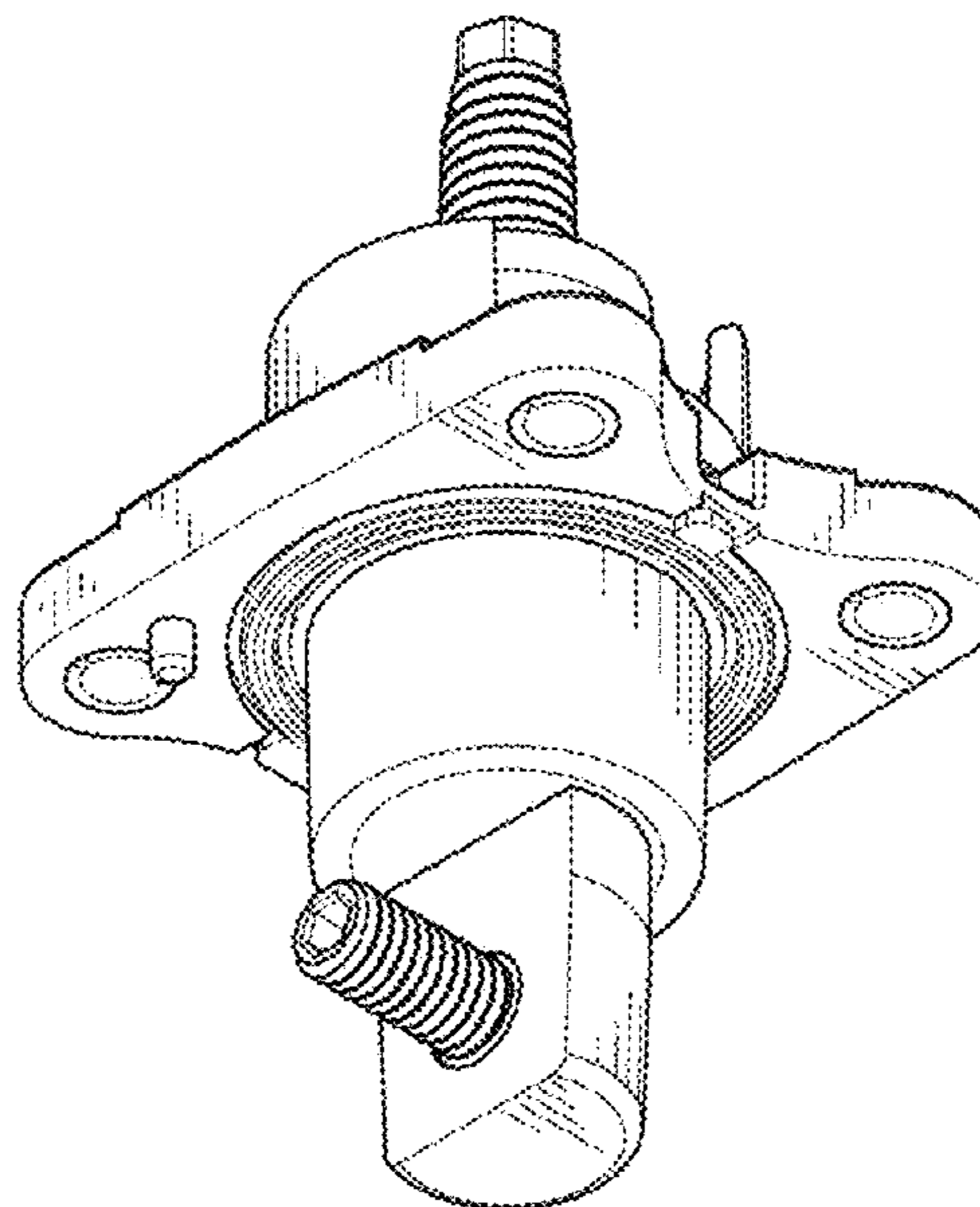
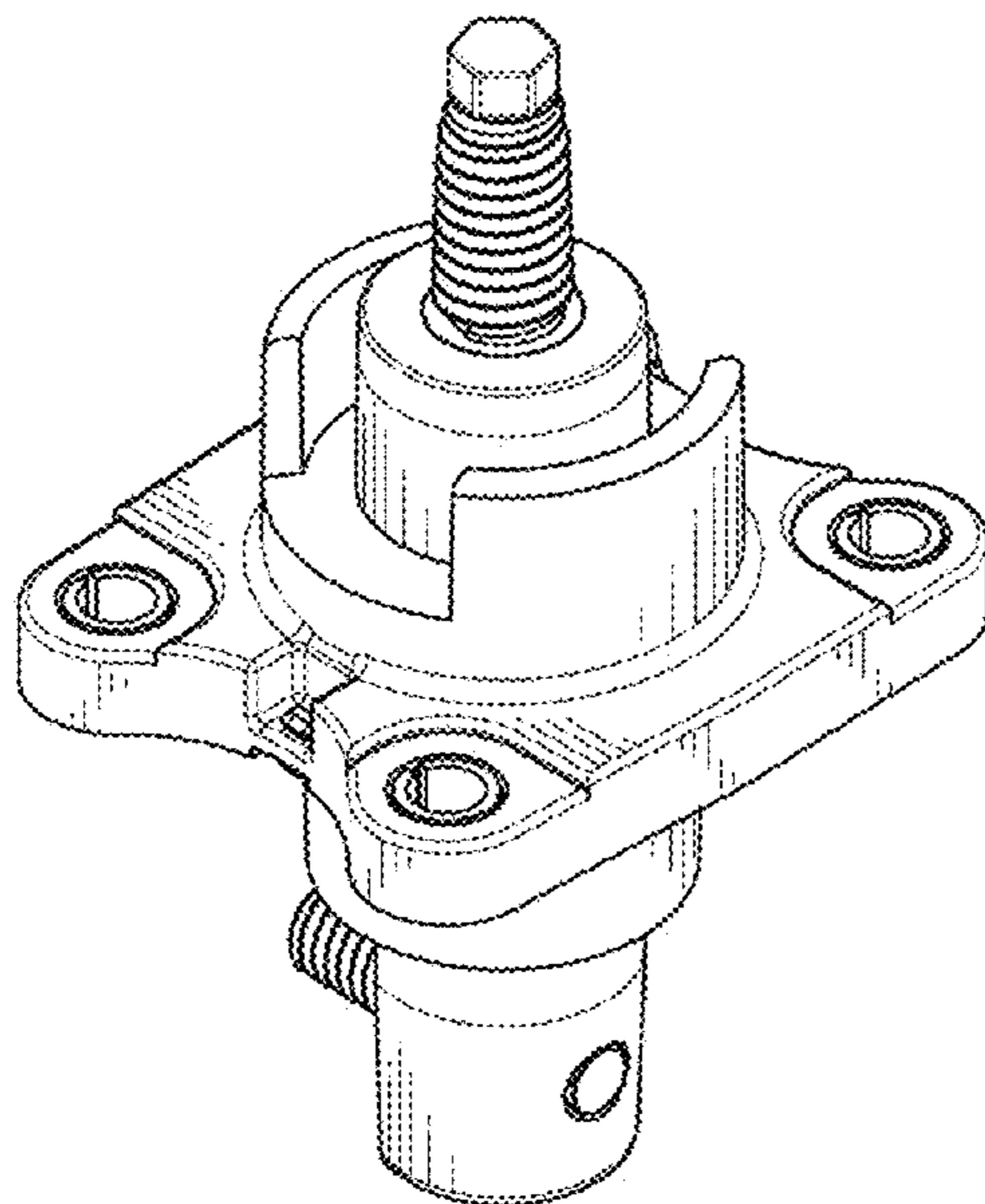
(57) **CLAIM**

The ornamental design for an electrode head, as shown and described.

DESCRIPTION

FIG. 1 is a top, front and right side perspective view of an electrode head showing our design;
FIG. 2 is a bottom, rear and right side perspective view thereof;
FIG. 3 is a front view thereof;
FIG. 4 is a rear view thereof;
FIG. 5 is a right side view thereof;
FIG. 6 is a left side view thereof;
FIG. 7 is a top view thereof; and,
FIG. 8 is a bottom view thereof.

1 Claim, 8 Drawing Sheets



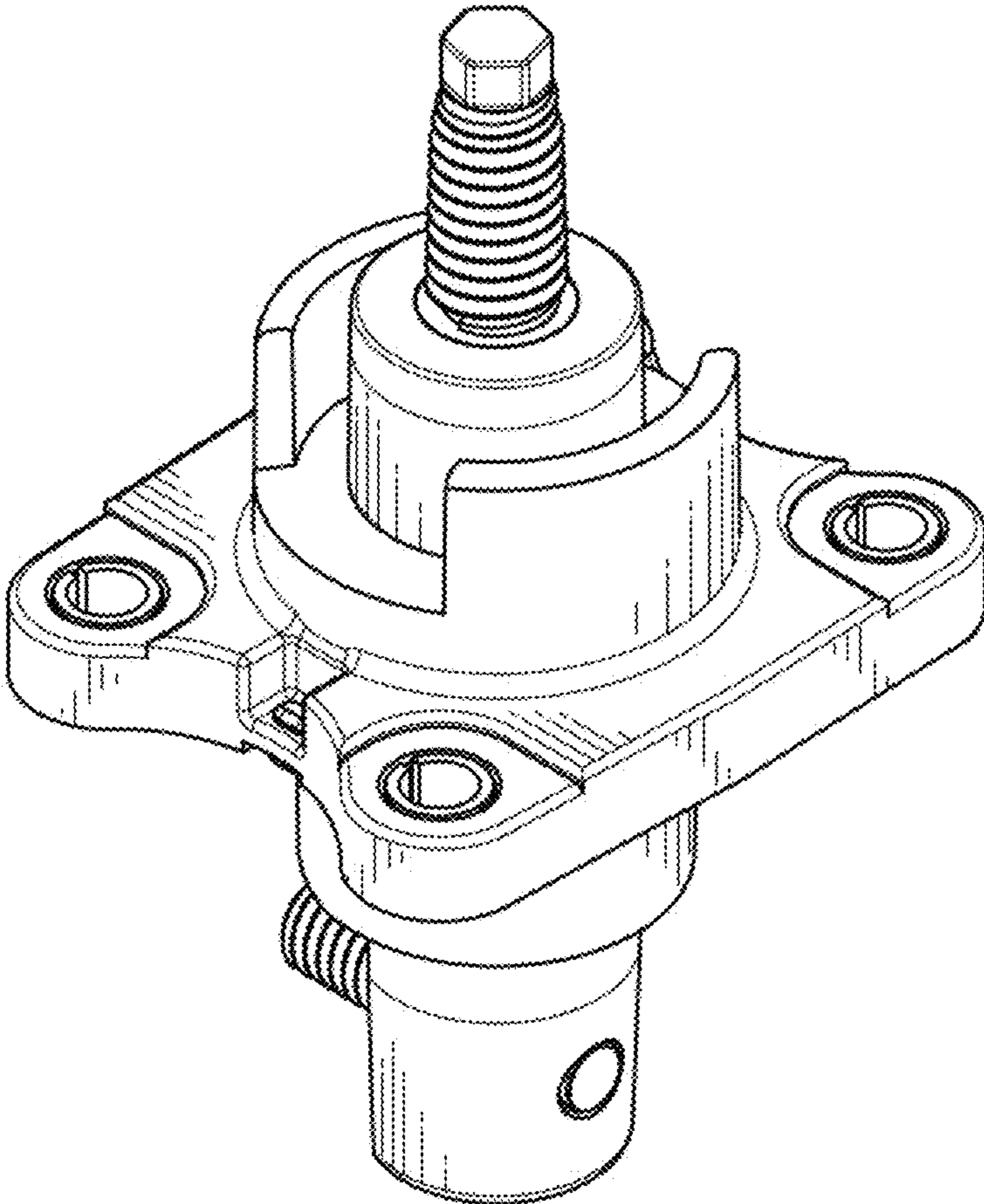


FIG. 1

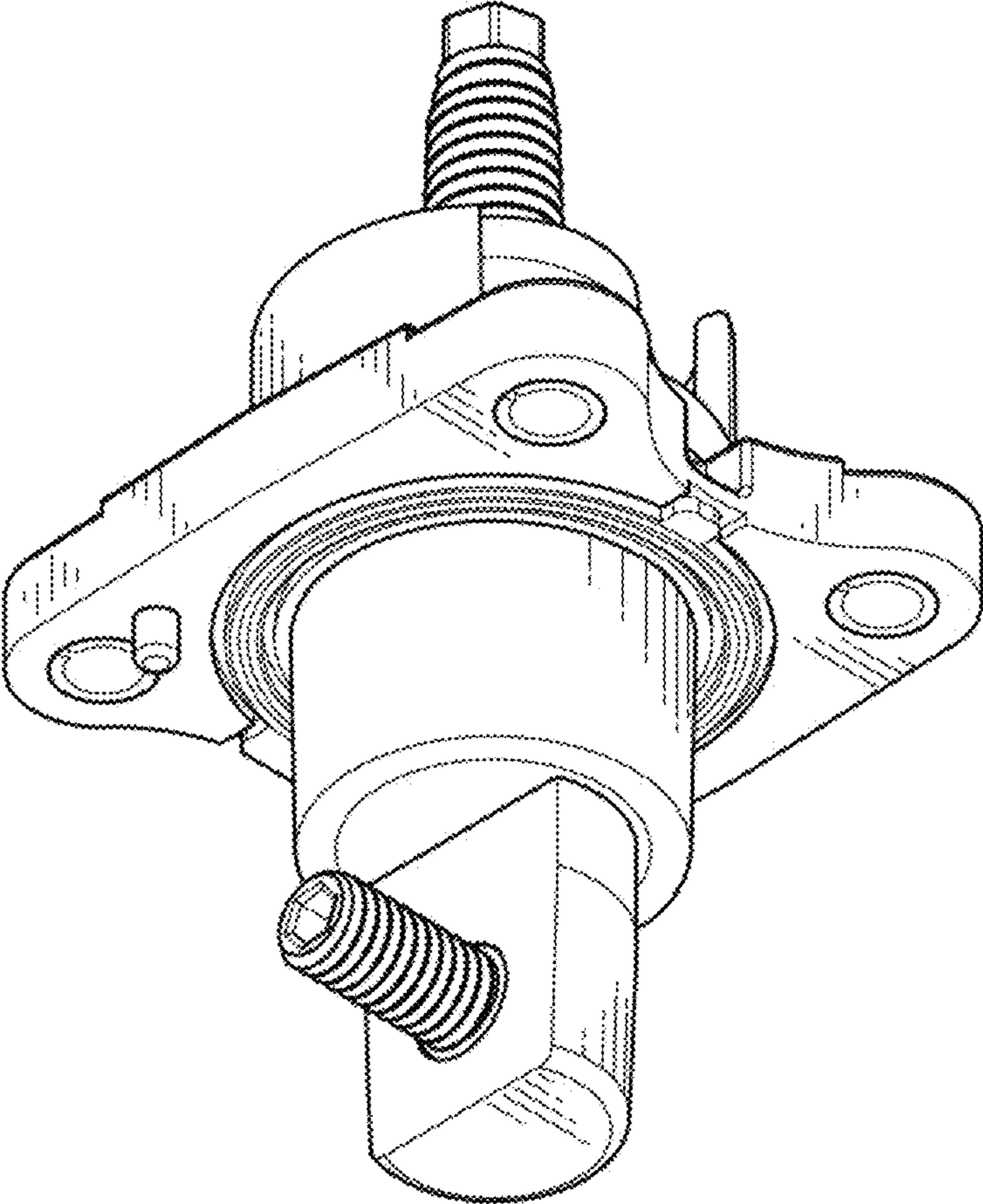


FIG. 2

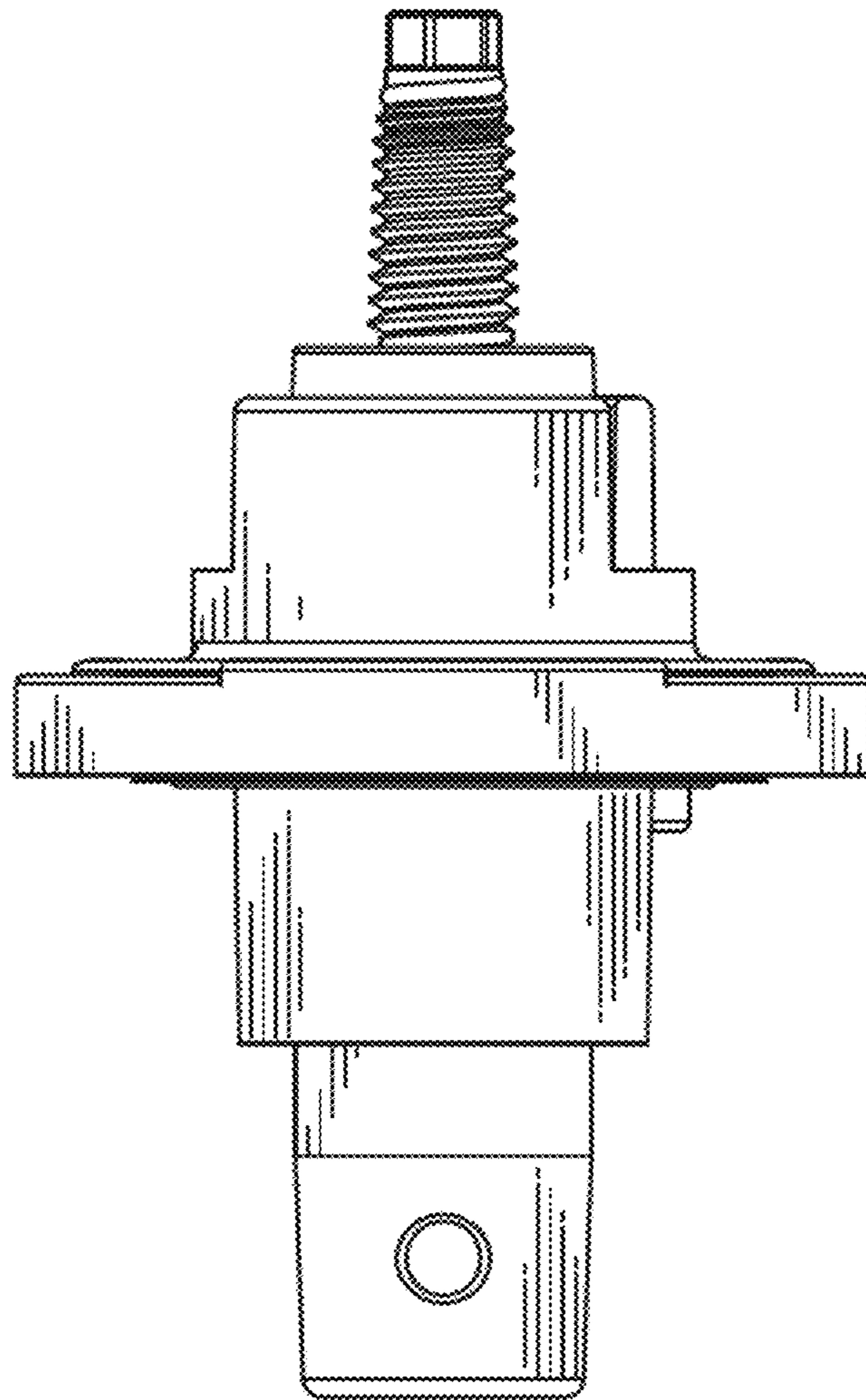


FIG. 3

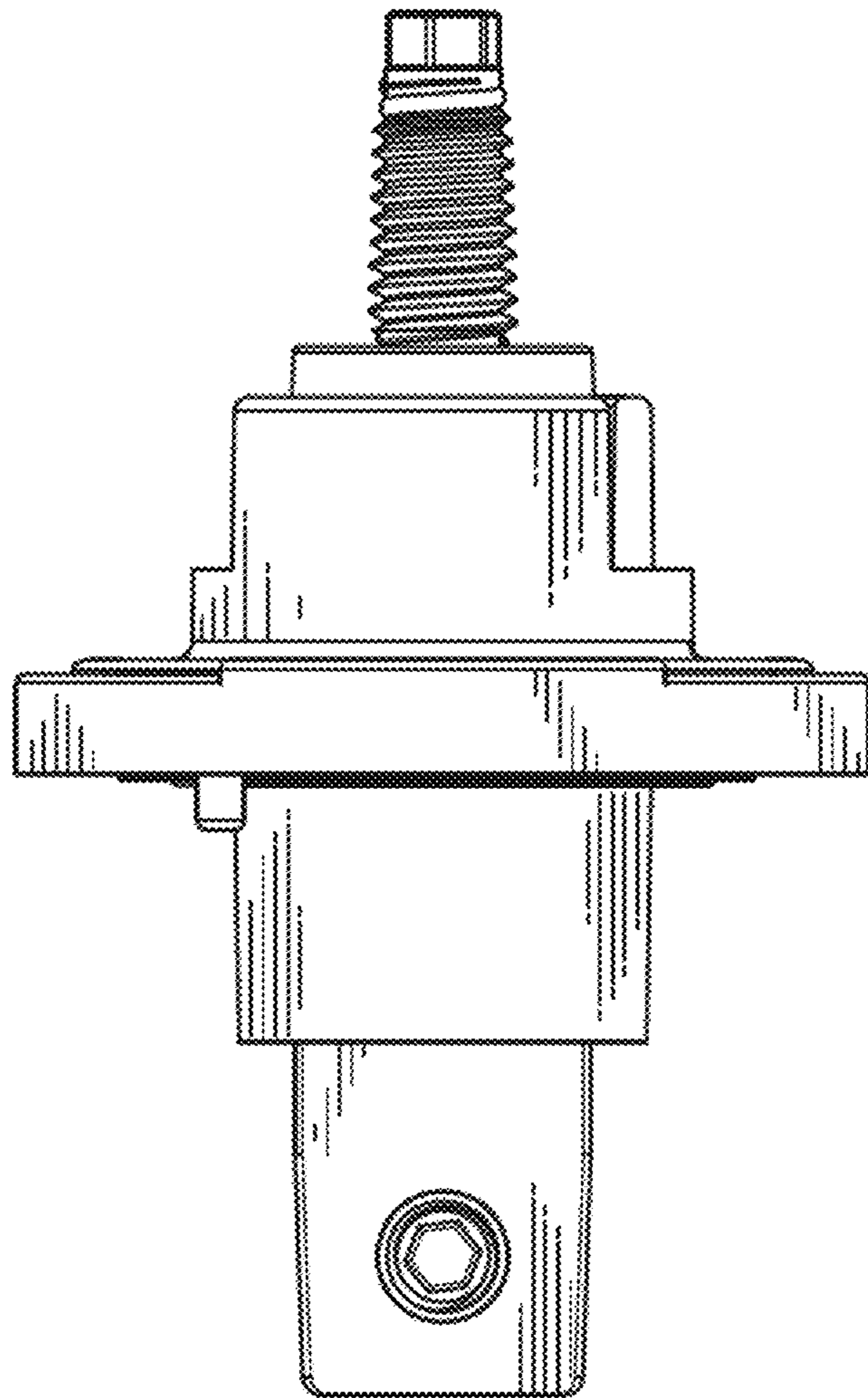


FIG. 4

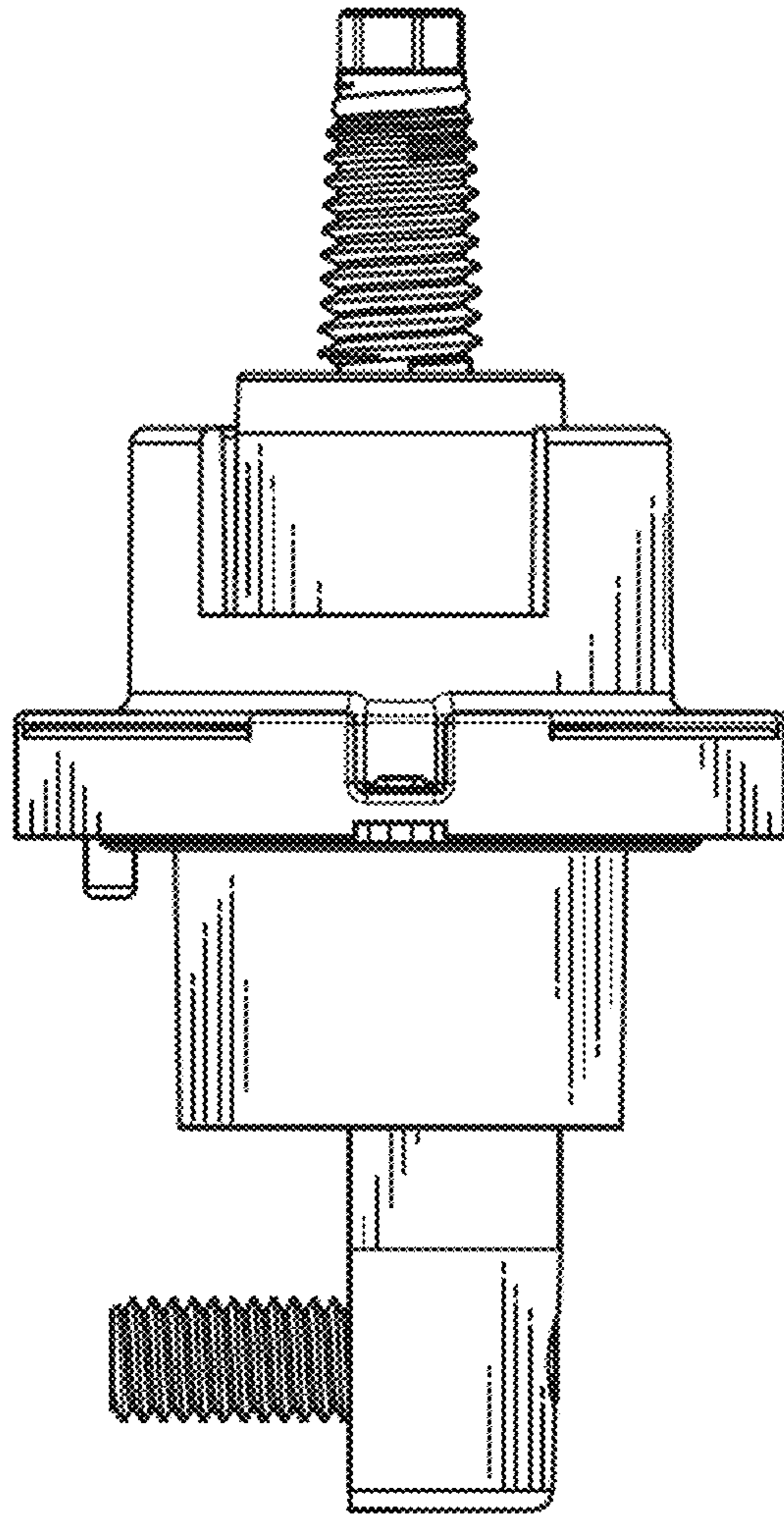


FIG. 5

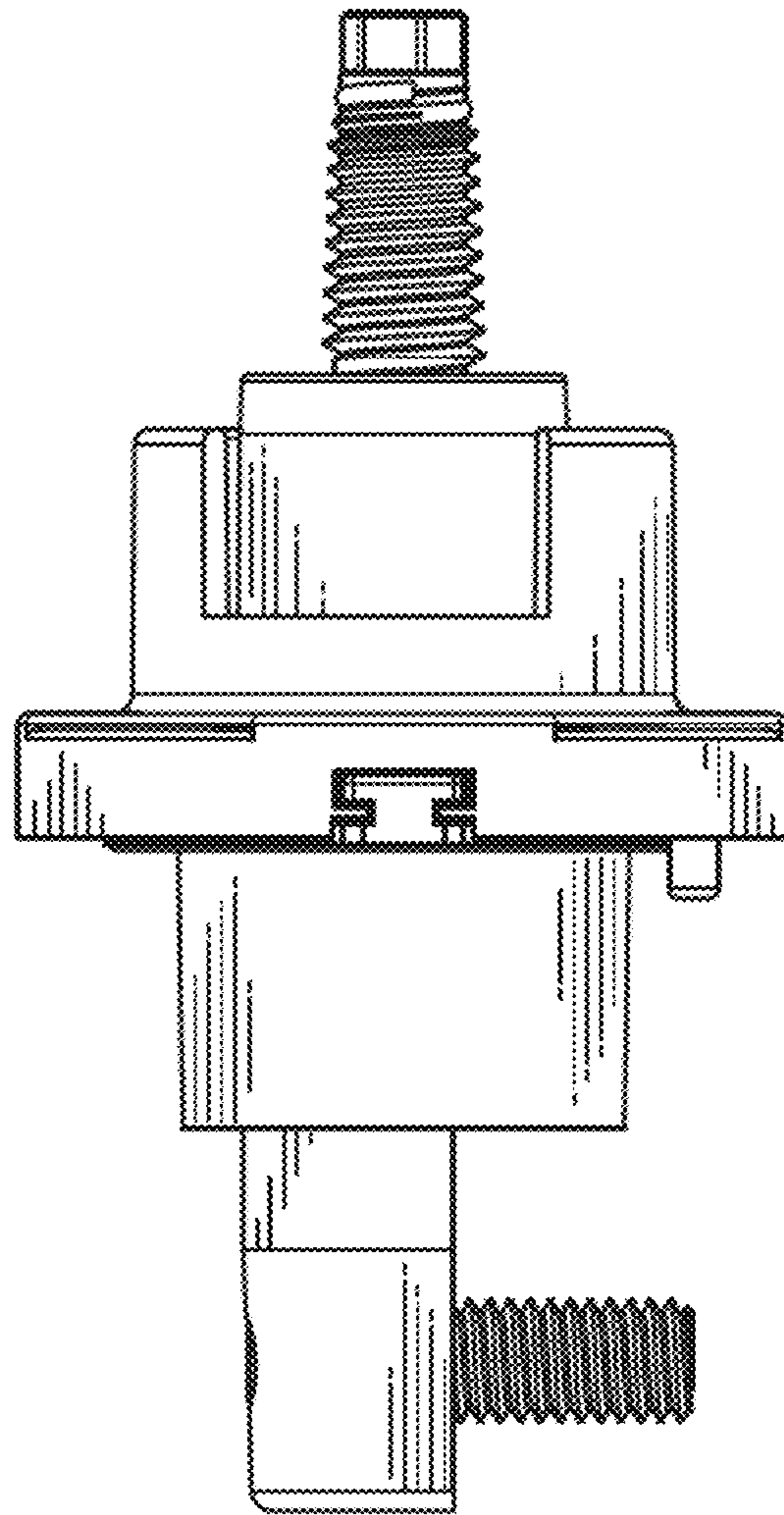


FIG. 6

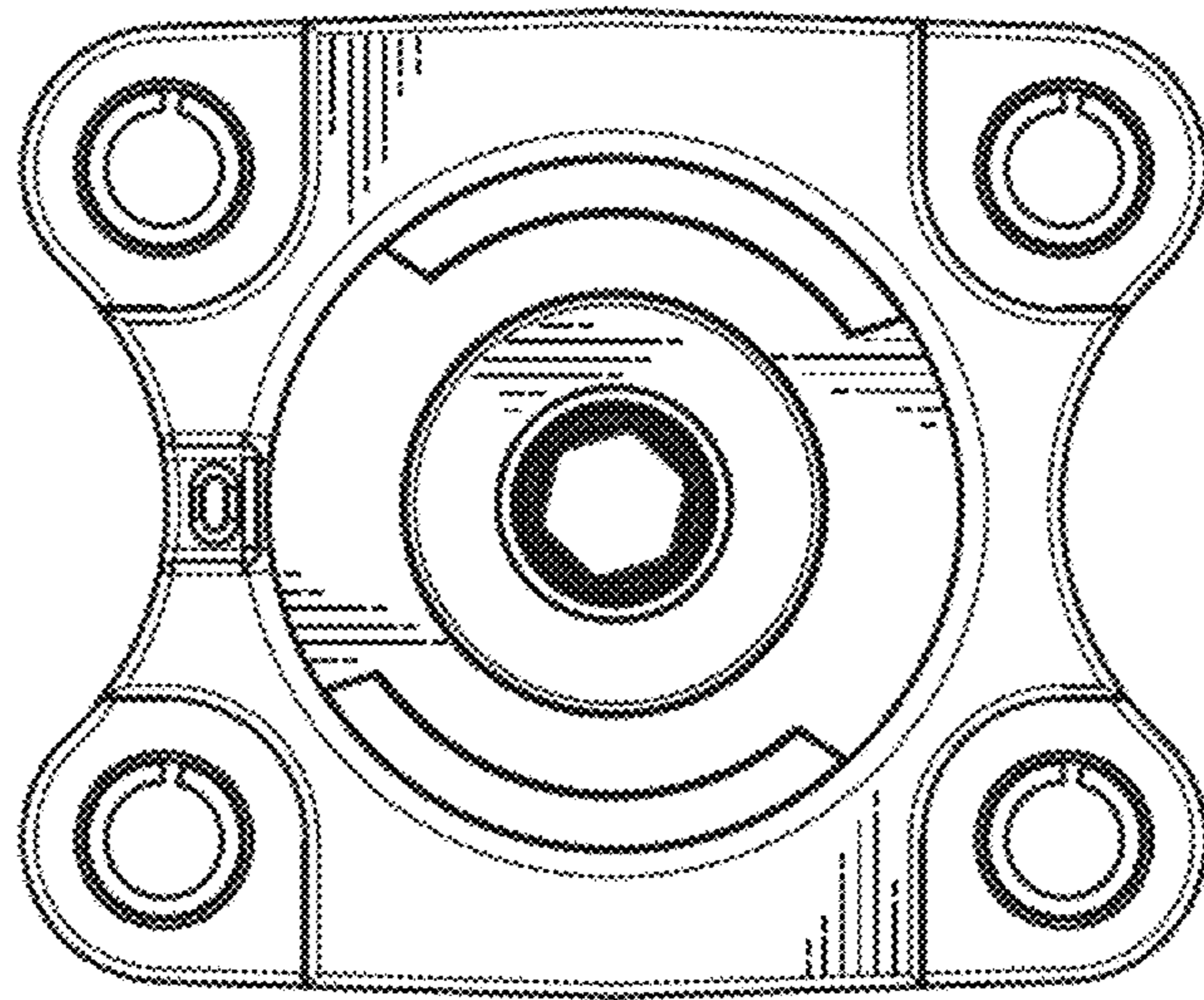


FIG. 7

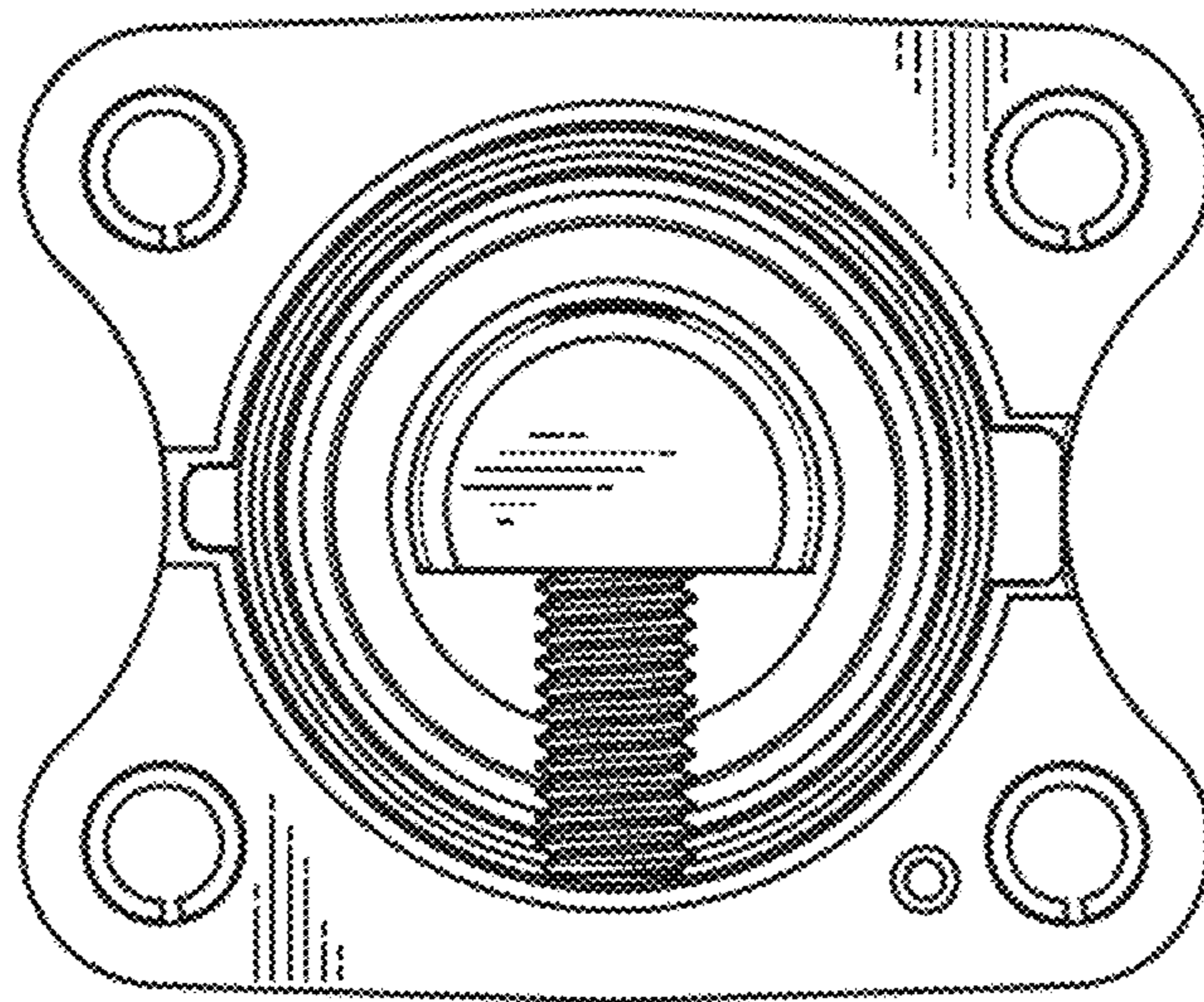


FIG. 8