



US00D951190S

(12) **United States Design Patent** (10) **Patent No.:** **US D951,190 S**
Huang (45) **Date of Patent:** **** May 10, 2022**

- (54) **HORIZONTAL POWER WINCH**
- (71) Applicant: **Comeup Industries Inc.**, New Taipei (TW)
- (72) Inventor: **Shih Jyi Huang**, New Taipei (TW)
- (73) Assignee: **Comeup Industries Inc.**, New Taipei (TW)
- (**) Term: **15 Years**
- (21) Appl. No.: **29/758,088**
- (22) Filed: **Nov. 12, 2020**
- (51) **LOC (13) Cl.** **13-01**
- (52) **U.S. Cl.**
USPC **D13/112**
- (58) **Field of Classification Search**
USPC D13/101, 102, 103, 107, 108, 110, 112, D13/118, 119, 123, 184, 199
CPC Y02T 10/7005; Y02T 10/705; Y02T 10/7088; H01M 2/1022; H01M 2/342; H02J 7/00; H02J 7/027; H02J 7/0042; H02J 7/0045; H02J 7/0047; H02J 7/0063; H02J 7/32; H02J 7/1423; H02J 7/003
See application file for complete search history.

D925,450 S *	7/2021	Konig	D13/112
D930,586 S *	9/2021	Chang	D13/112
D936,009 S *	11/2021	Konig	D13/112

OTHER PUBLICATIONS

Power Winches. (Design—© Questel) orbit.com. [Online PDF compilation of references] 38 pgs. Print Dates Range Nov. 27, 2020-Sep. 3, 2002 [Retrieved Jan. 7, 2022].*

Upcoming delivery. Jun. 21, 2016. Powerwinch, <https://powerwinch.eu/wyposazenie-dla-transportu-copy/>.*

Traveller 12V Truck Electric Winch. Before 2019. Tractor Supply. <https://www.tractorsupply.com/tsc/product/traveller-12v-truck-electric-winch-9-000-lb-capacity>.*

WORKS Contactor Kit Instruction. 2010. WARN. https://www.generalrentalmonicello.com/store/index.php?route=product/product&product_id=969.*

* cited by examiner

Primary Examiner — Manpreet S Matharu
Assistant Examiner — Suzanne E Tisdell
 (74) *Attorney, Agent, or Firm* — Karin L. Williams; Alan D. Kamrath; Mayer & Williams PC

(57) **CLAIM**

The ornamental design for a horizontal power winch, as shown and described.

DESCRIPTION

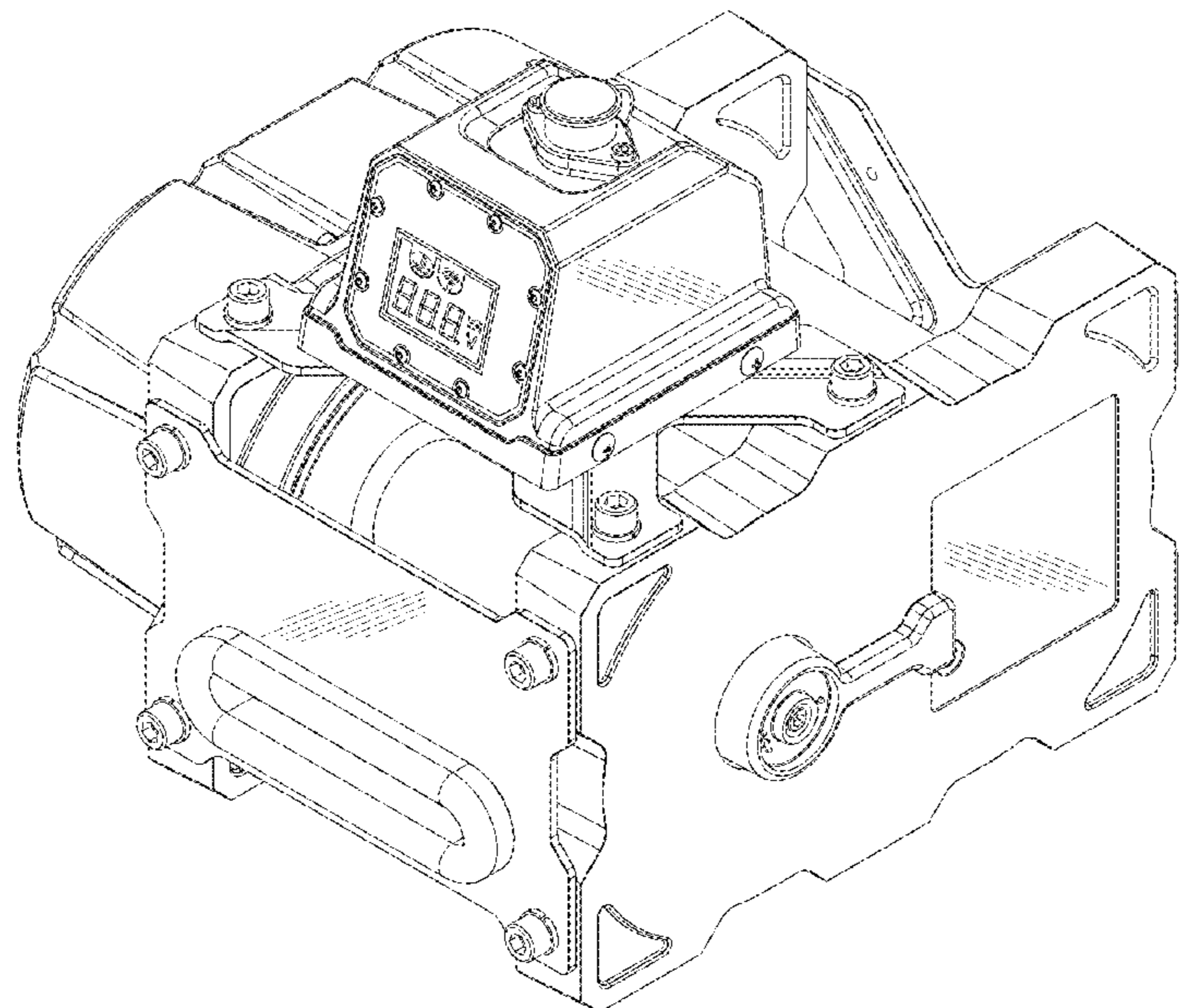
FIG. 1 is a perspective view of the horizontal power winch showing my new design;
 FIG. 2 is a front elevational view thereof;
 FIG. 3 is a rear elevational view thereof;
 FIG. 4 is a left side elevational view thereof;
 FIG. 5 is a right side elevational view thereof;
 FIG. 6 is a top plan view thereof;
 FIG. 7 is a bottom plan view thereof; and,
 FIG. 8 is an another perspective view showing the horizontal power winch.

1 Claim, 8 Drawing Sheets

(56) **References Cited**

U.S. PATENT DOCUMENTS

D845,236 S *	4/2019	Grillenberger	D13/112
D856,279 S *	8/2019	Chen	D13/112
D857,628 S *	8/2019	Chen	D13/112
D896,755 S *	9/2020	Andersson	D13/112
D898,670 S *	10/2020	Andersson	D13/112
D900,180 S *	10/2020	Pozzo	D15/148
D909,301 S *	2/2021	Povolo	D13/112
D917,395 S *	4/2021	Azuma	D13/116
D918,141 S *	5/2021	Konig	D13/112
D924,799 S *	7/2021	Simon	D13/112



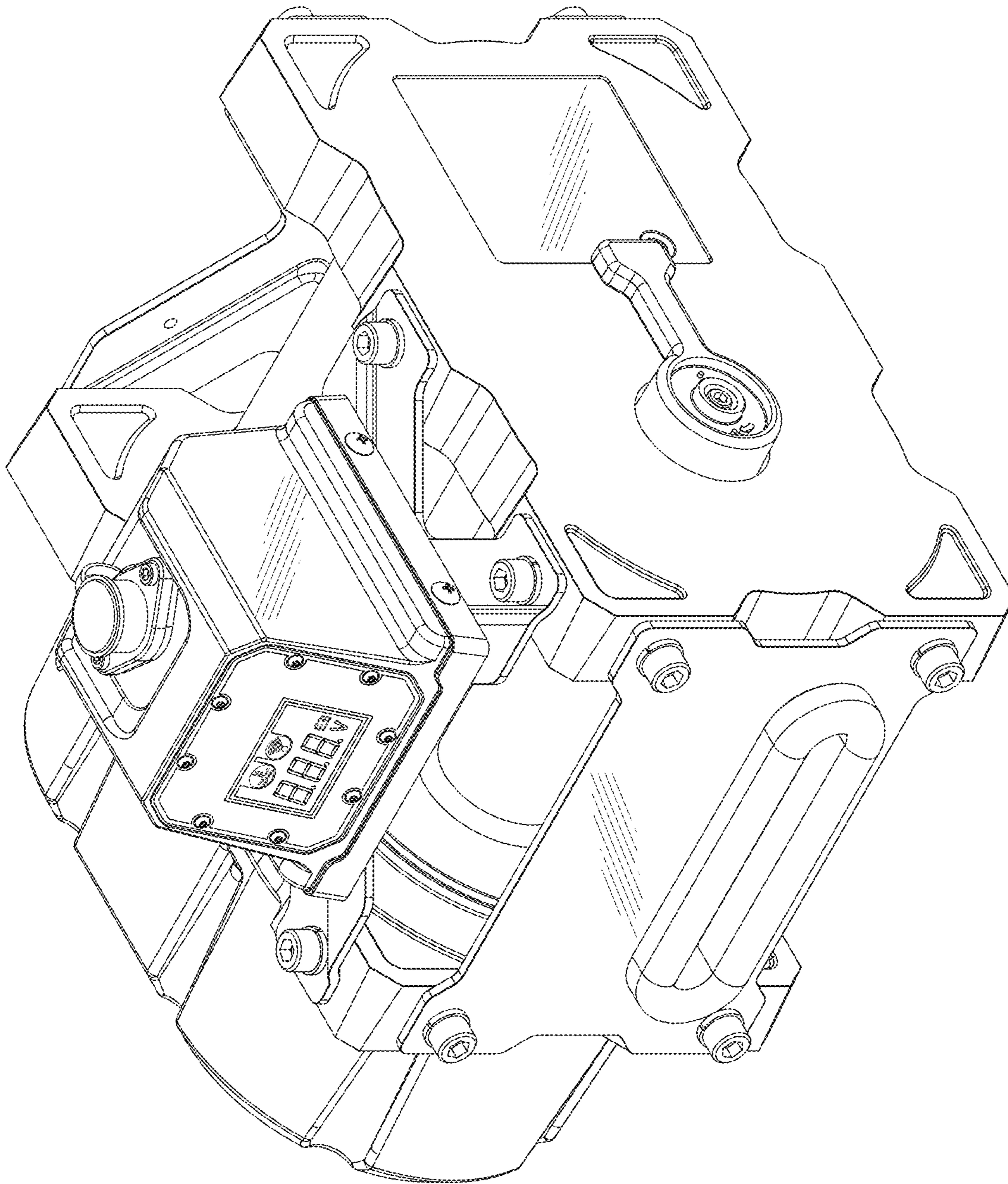


FIG. 1

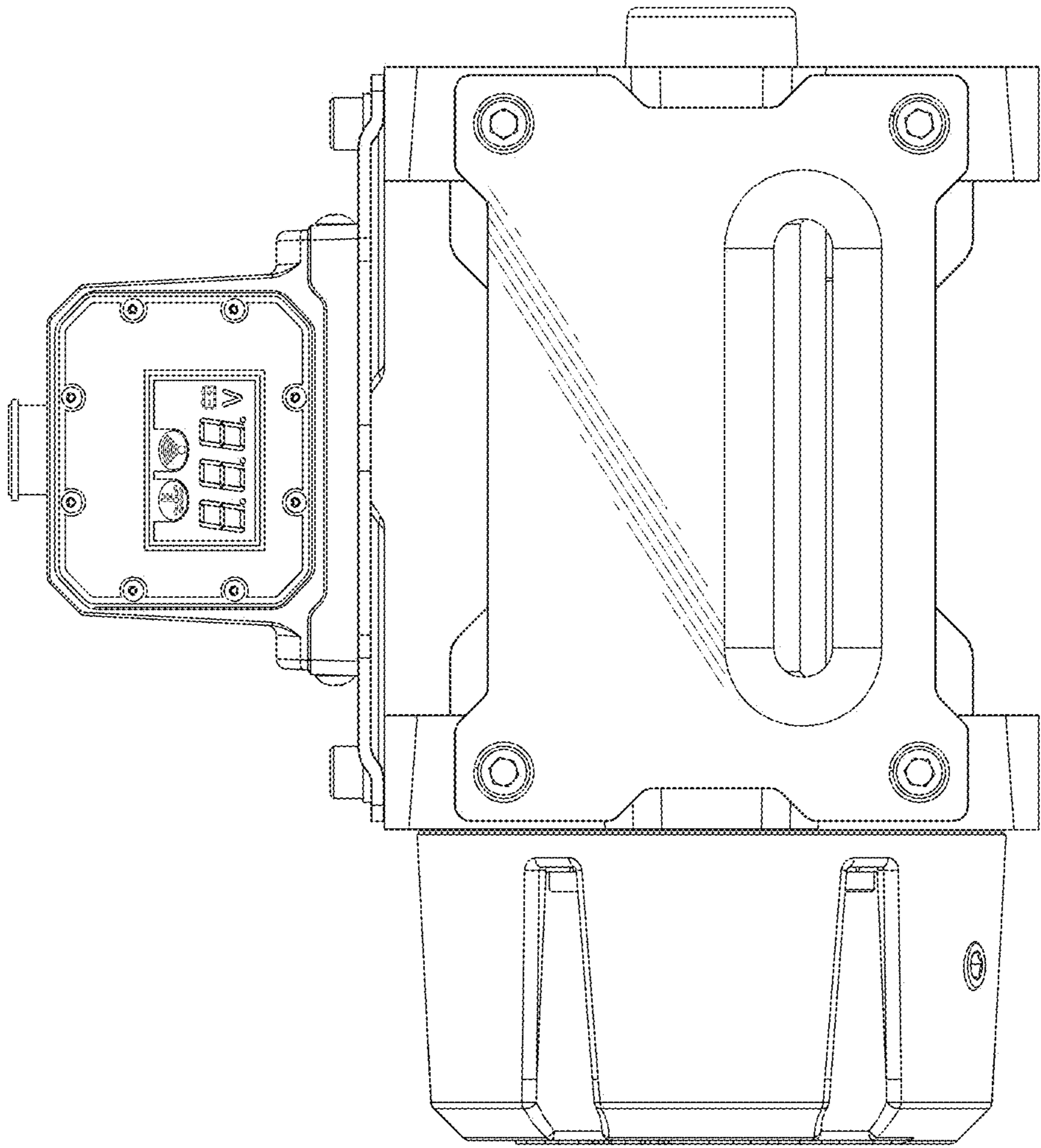


FIG. 2

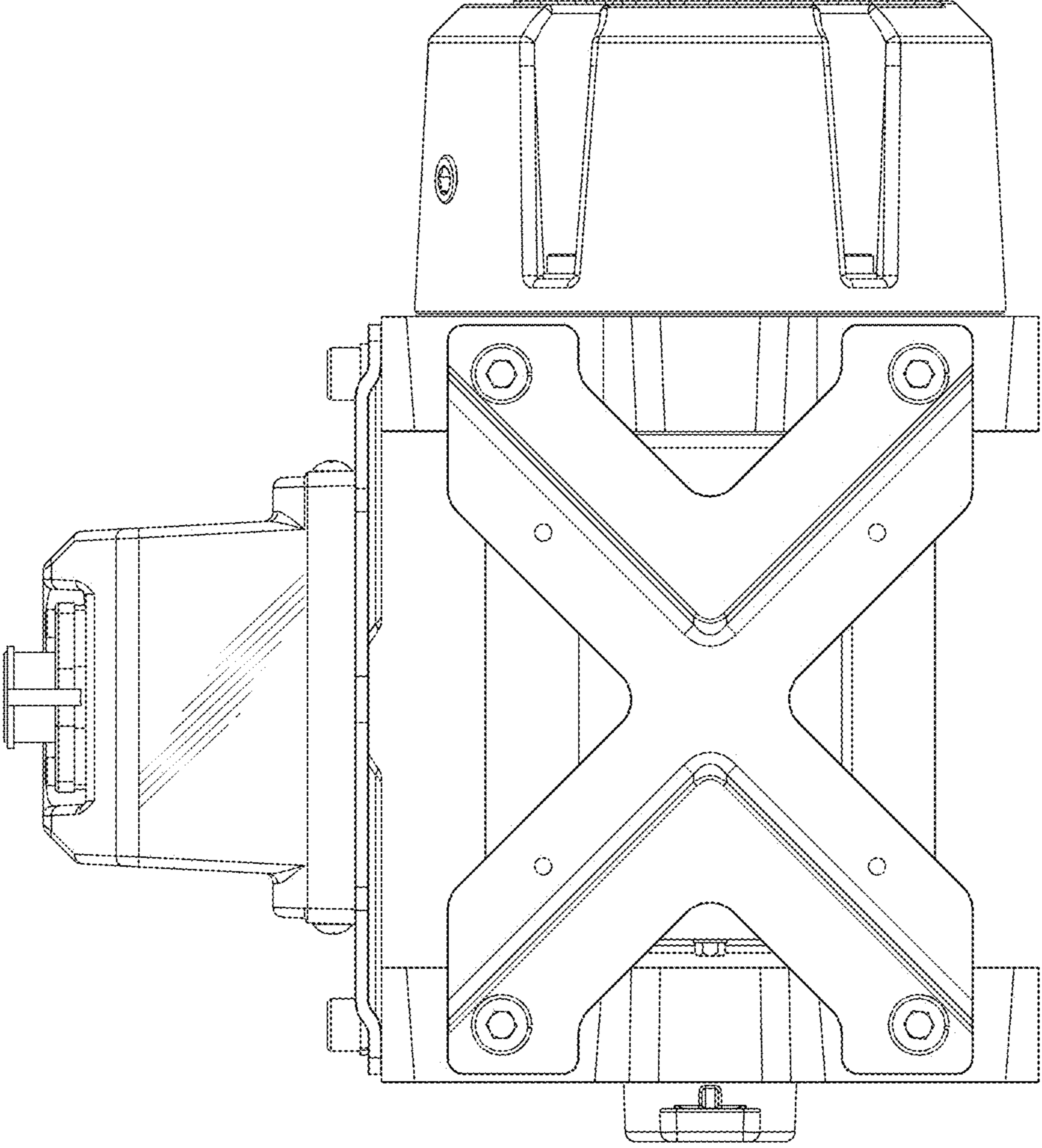


FIG. 3

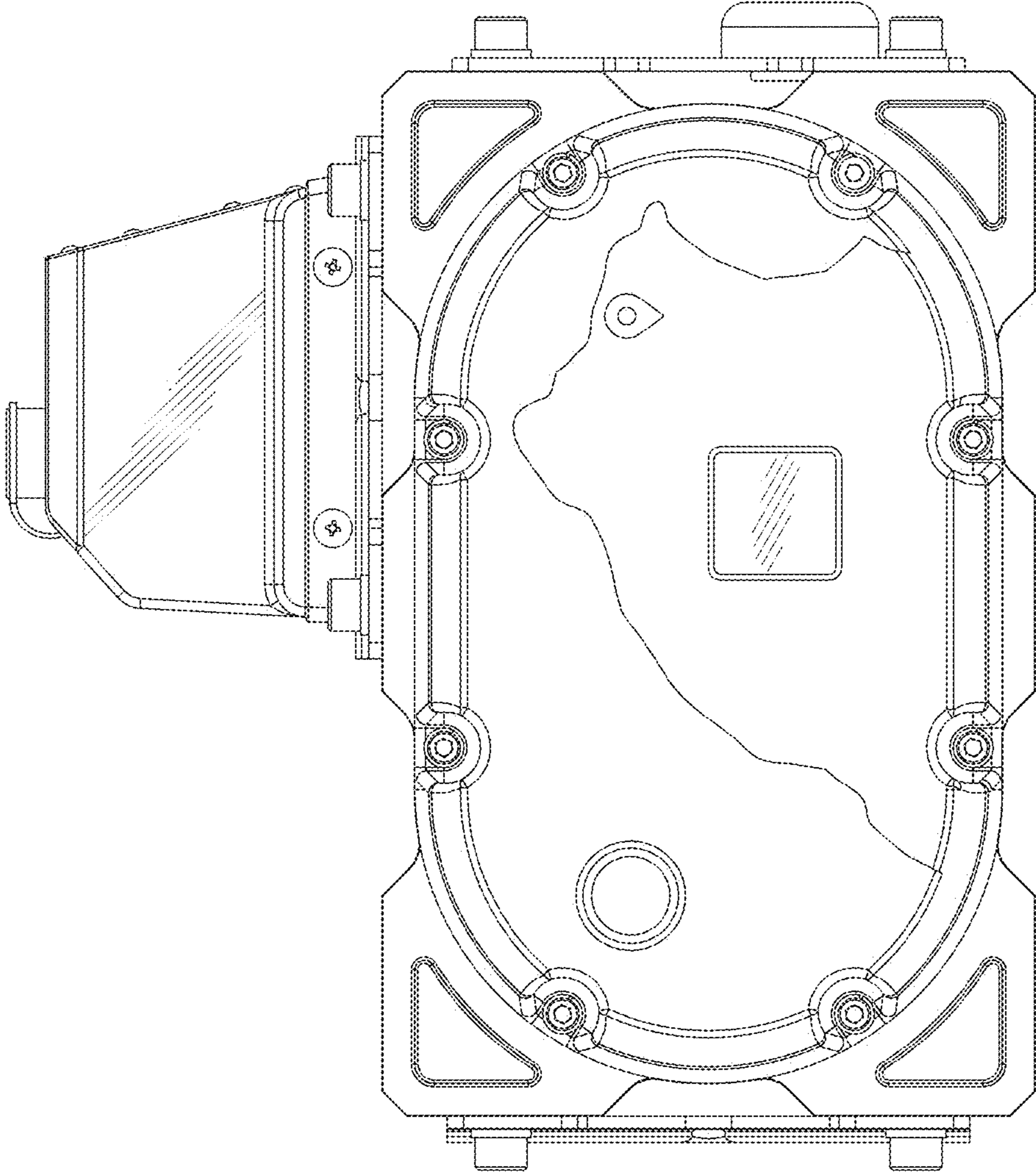


FIG. 4

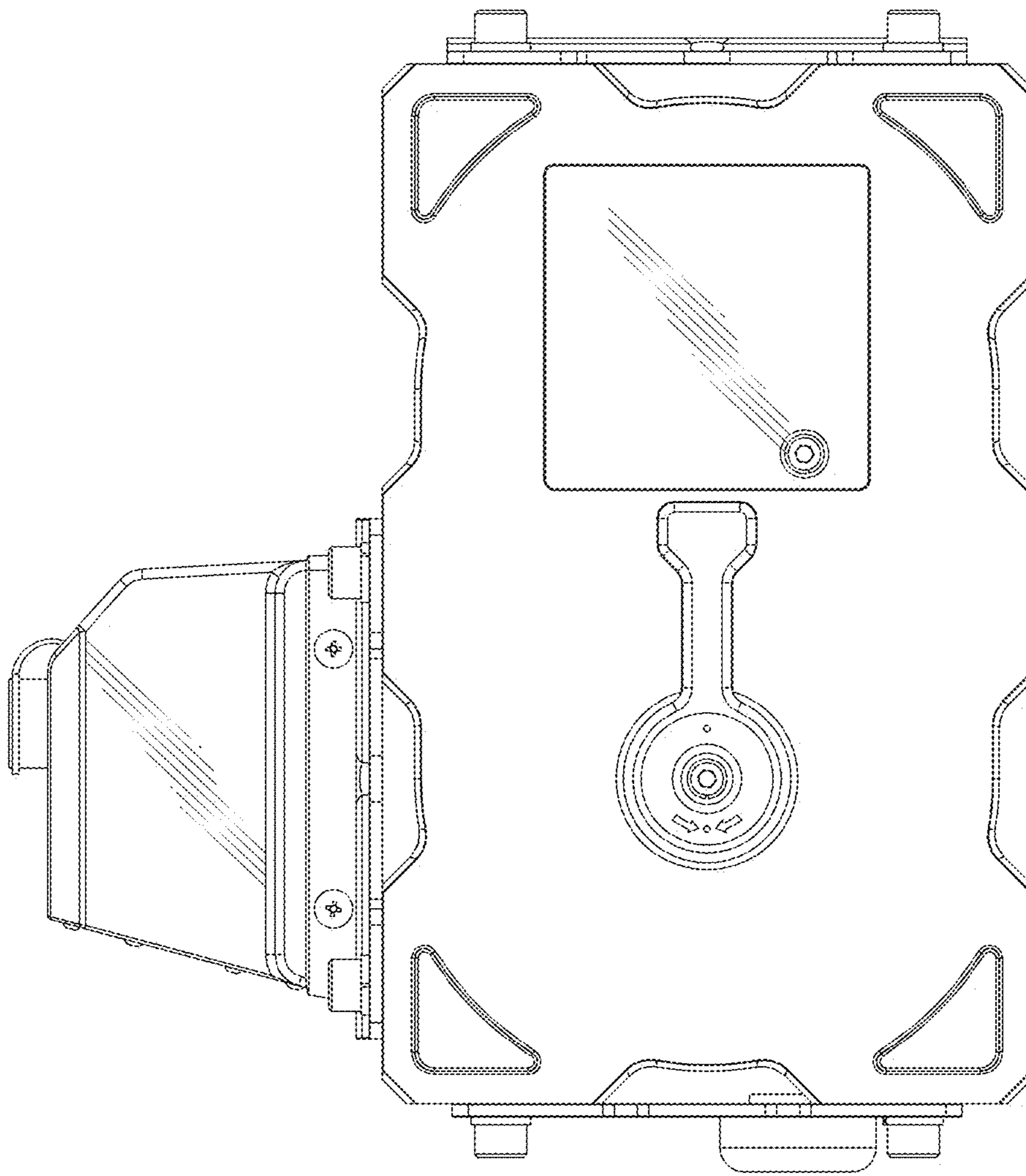


FIG. 5

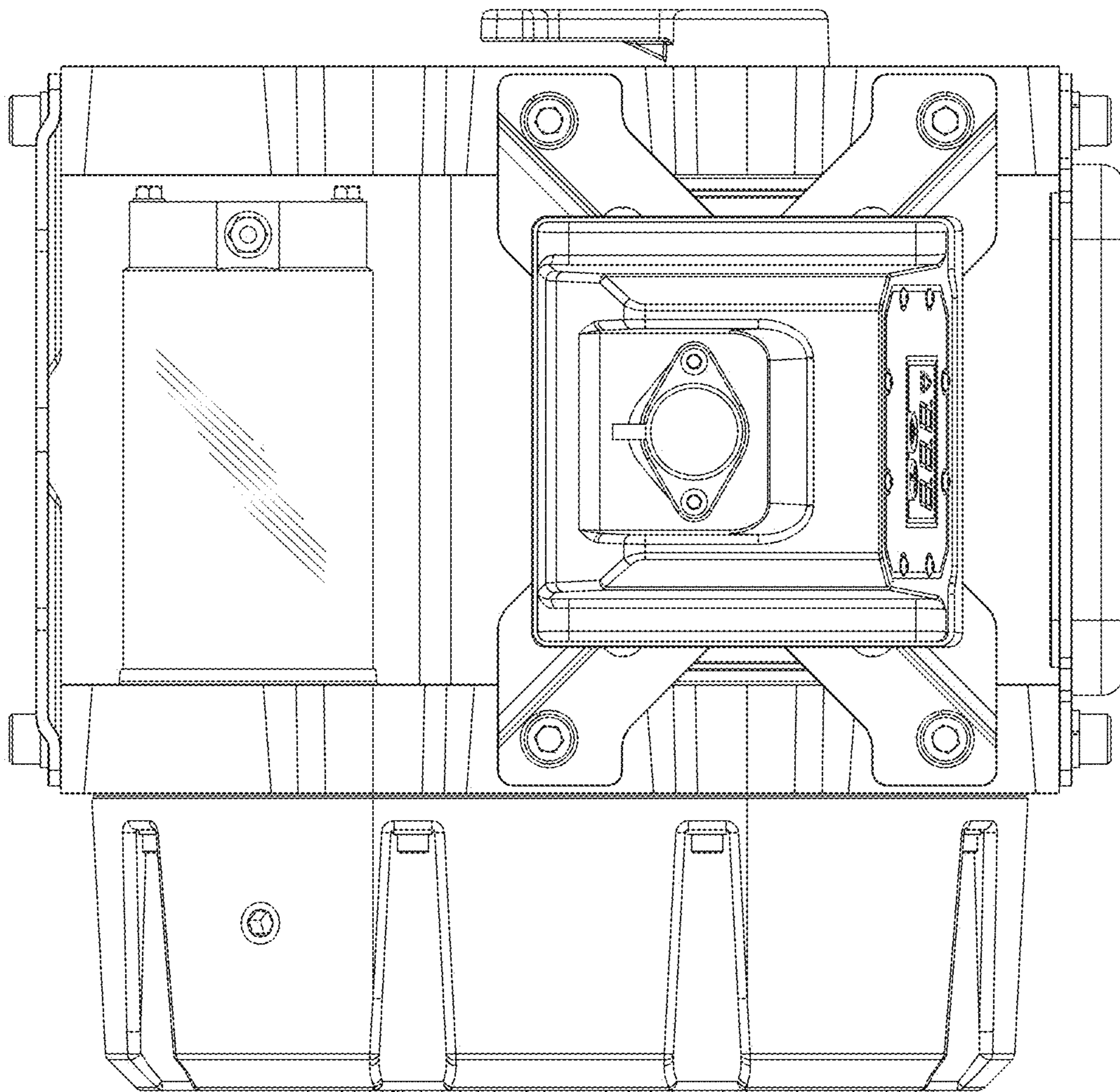


FIG. 6

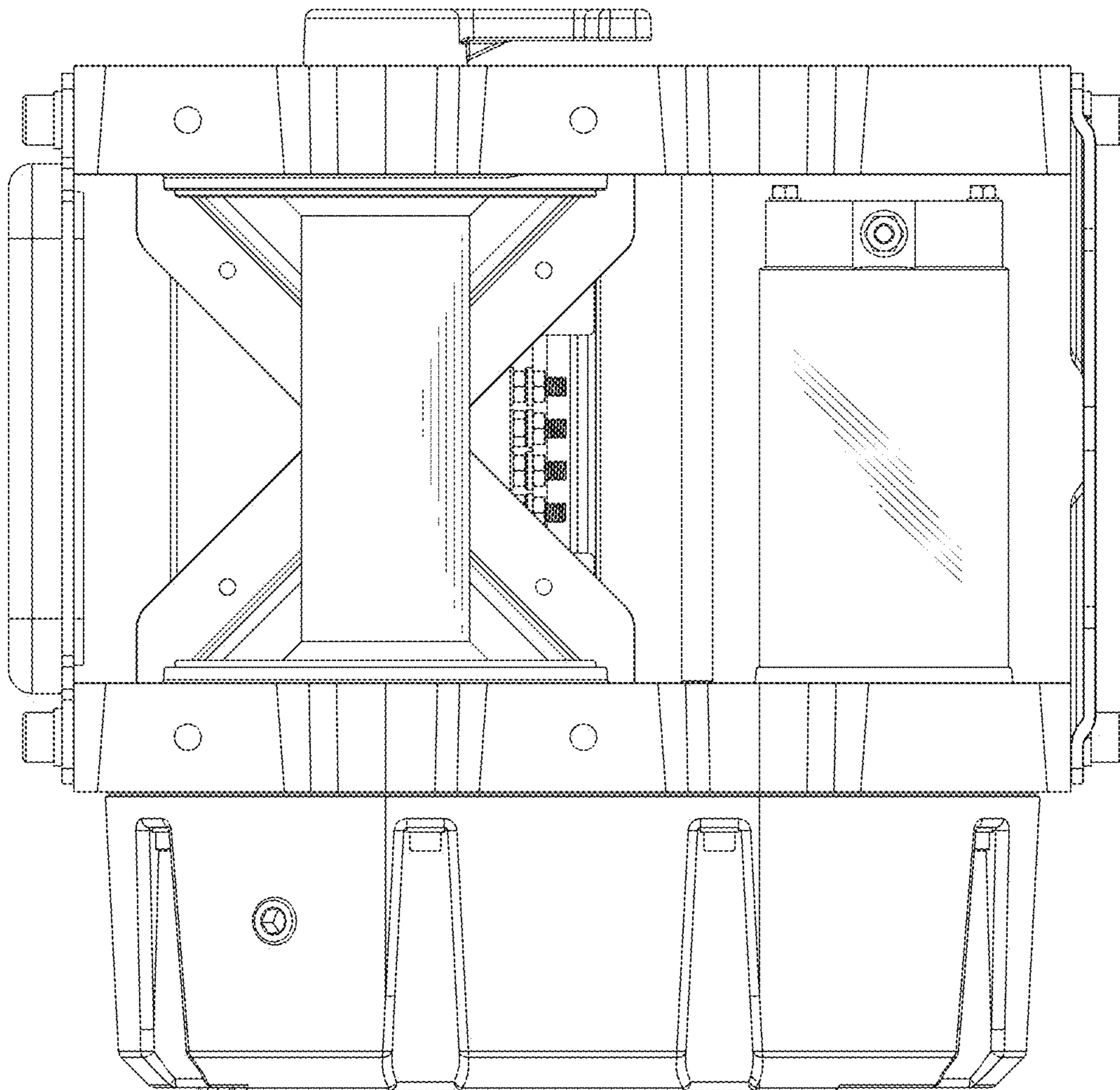


FIG. 7

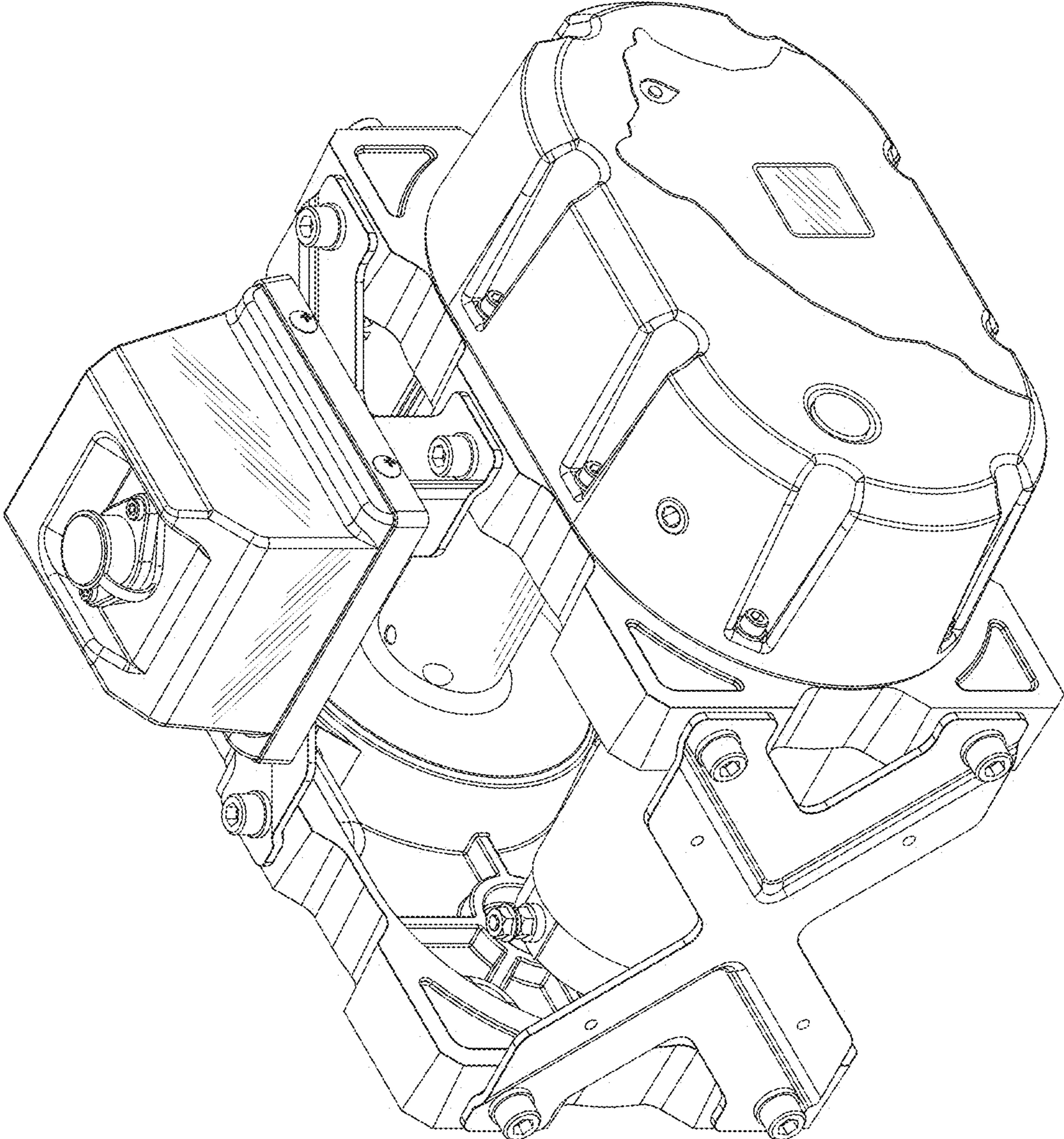


FIG. 8