



US00D951189S

(12) **United States Design Patent** (10) **Patent No.:** **US D951,189 S**  
**Golbin** (45) **Date of Patent:** **\*\* May 10, 2022**

(54) **PORTABLE POWER DISTRIBUTION BOX**

(71) Applicant: **GEHR POWER SYSTEMS LLC**,  
Commerce, CA (US)

(72) Inventor: **Joel Golbin**, Sherman Oaks, CA (US)

(73) Assignee: **GEHR POWER SYSTEMS LLC**,  
Commerce, CA (US)

(\*\*) Term: **15 Years**

(21) Appl. No.: **29/751,789**

(22) Filed: **Sep. 23, 2020**

(51) **LOC (13) Cl.** ..... **13-02**

(52) **U.S. Cl.**  
USPC ..... **D13/110**

(58) **Field of Classification Search**  
USPC ..... D13/101, 102, 103, 107, 108, 110, 116,  
D13/118, 119, 184, 199  
CPC ..... H02J 7/0042; H02J 7/0045; H02J 7/0047;  
H02J 7/0063; H02J 7/027; H02J 7/1423;  
H02J 7/32; H02J 7/342; H02M 7/003;  
H05K 5/0247  
See application file for complete search history.

D815,039 S \* 4/2018 Wen ..... D13/110  
10,371,364 B2 \* 8/2019 Gawthorp ..... H01M 50/256  
D858,441 S \* 9/2019 Chen ..... D13/110  
D871,334 S \* 12/2019 Chen ..... D13/110  
D887,357 S \* 6/2020 Liao ..... D13/110  
D890,089 S \* 7/2020 Yin ..... D13/103  
11,114,878 B2 \* 9/2021 Hansen ..... H01M 10/46  
D932,433 S \* 10/2021 Tang ..... D13/110  
2004/0121225 A1 \* 6/2004 Krieger ..... H02J 7/0045  
429/96  
2015/0091392 A1 \* 4/2015 Hwang ..... H02J 7/0045  
307/150

(Continued)

**OTHER PUBLICATIONS**

CEP Power Distribution Box, Grainger; retrieved on Feb. 16, 2022;  
1 pg.; <https://www.grainger.com/product/CEP-Power-Distribution-Box-4MZX8>.\*

(Continued)

*Primary Examiner* — Selina Sikder  
(74) *Attorney, Agent, or Firm* — Lewis Roca Rothgerber  
Christie LLP

(57) **CLAIM**

The ornamental design for portable power distribution box,  
as shown and described.

(56) **References Cited**

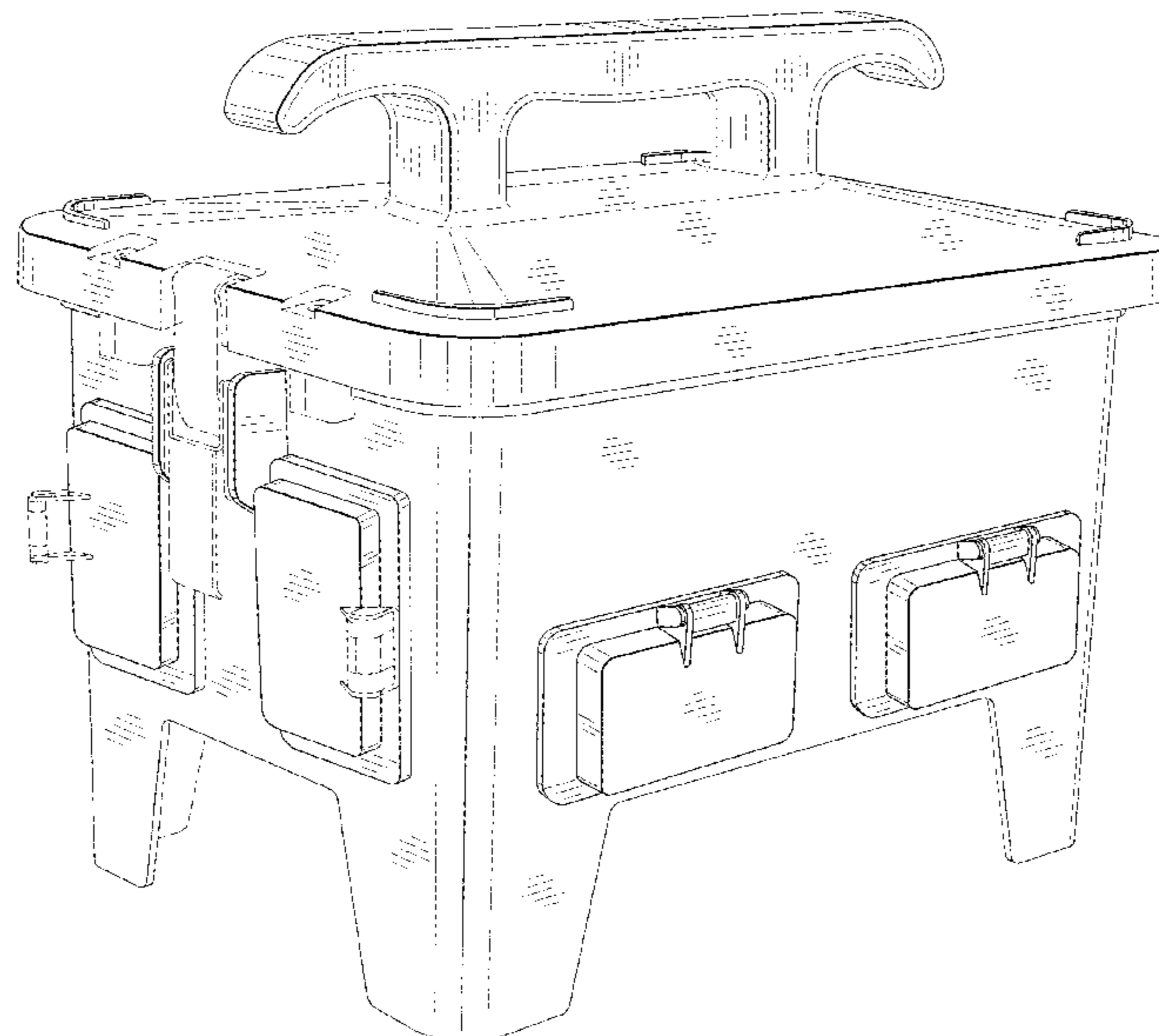
**U.S. PATENT DOCUMENTS**

3,963,972 A \* 6/1976 Todd ..... H02J 7/0042  
362/183  
D280,318 S \* 8/1985 Barone ..... D13/110  
D314,086 S \* 1/1991 Rogers ..... D3/282  
D466,077 S \* 11/2002 Wang ..... D13/110  
D469,401 S \* 1/2003 Griffey ..... D13/110  
6,577,098 B2 \* 6/2003 Griffey ..... H02J 7/0042  
320/103  
D592,134 S \* 5/2009 Brockington ..... D13/119  
D734,719 S \* 7/2015 Johnson ..... D13/110  
9,399,263 B2 \* 7/2016 Bashore ..... B23K 9/32  
9,899,853 B2 \* 2/2018 Marinov ..... H02J 7/0045

**DESCRIPTION**

FIG. 1 is perspective view of the design;  
FIG. 2 is a top view;  
FIG. 3 is a right side view;  
FIG. 4 is a back view;  
FIG. 5 is a left side view;  
FIG. 6 is a front view; and,  
FIG. 7 is a bottom view.  
The broken lines in the drawings depict portions of the  
portable power distribution box that form no part of the  
claimed design.

**1 Claim, 7 Drawing Sheets**



(56)

**References Cited**

U.S. PATENT DOCUMENTS

2016/0149177 A1\* 5/2016 Sugeno ..... H01M 10/425  
429/151  
2016/0285295 A1\* 9/2016 Marinov ..... H02J 7/0045  
2018/0270980 A1\* 9/2018 Kai ..... H02J 7/0042  
2019/0173305 A1\* 6/2019 Nook ..... B60L 53/14  
2019/0356147 A1\* 11/2019 Mueckl ..... H02J 7/00304  
2021/0075235 A1\* 3/2021 Nook ..... B60S 5/04

OTHER PUBLICATIONS

Power distribution box 63A(VD863AB)-Fluxon-Junction boxes, valkenpower; retrieved on Feb. 16, 2022; 1 pg.;<https://valkenpower.com/en-gb/power-distribution-box-63a.html>.\*

Strong Portable Electrical Distribution Box , SAA Portable Distribution Board; retrieved on Feb. 16, 2022; 1 pg; <https://www.portabledistributionbox.com/sale-9897259-strong-portable-electrical-distribution-box-saa-portable-distribution-board.html>.\*

Generac Portable Power Distribution Box—200 Amps, 120\_208 Volts \_ Northern Tool; retrieved on Feb. 16, 2022; 1 pg.;[https://www.northerntool.com/shop/tools/product\\_200833343\\_200833343](https://www.northerntool.com/shop/tools/product_200833343_200833343).\*

Mobile Temporary Distribution Board , EN60439 4 Portable Power Distribution Panels, Hyper; retrieved on Feb. 16, 2022; 1 pg; <https://www.portabledistributionbox.com/sale-9909073-mobile-temporary-distribution-board-en60439-4-portable-power-distribution-panels.html>.\*

\* cited by examiner

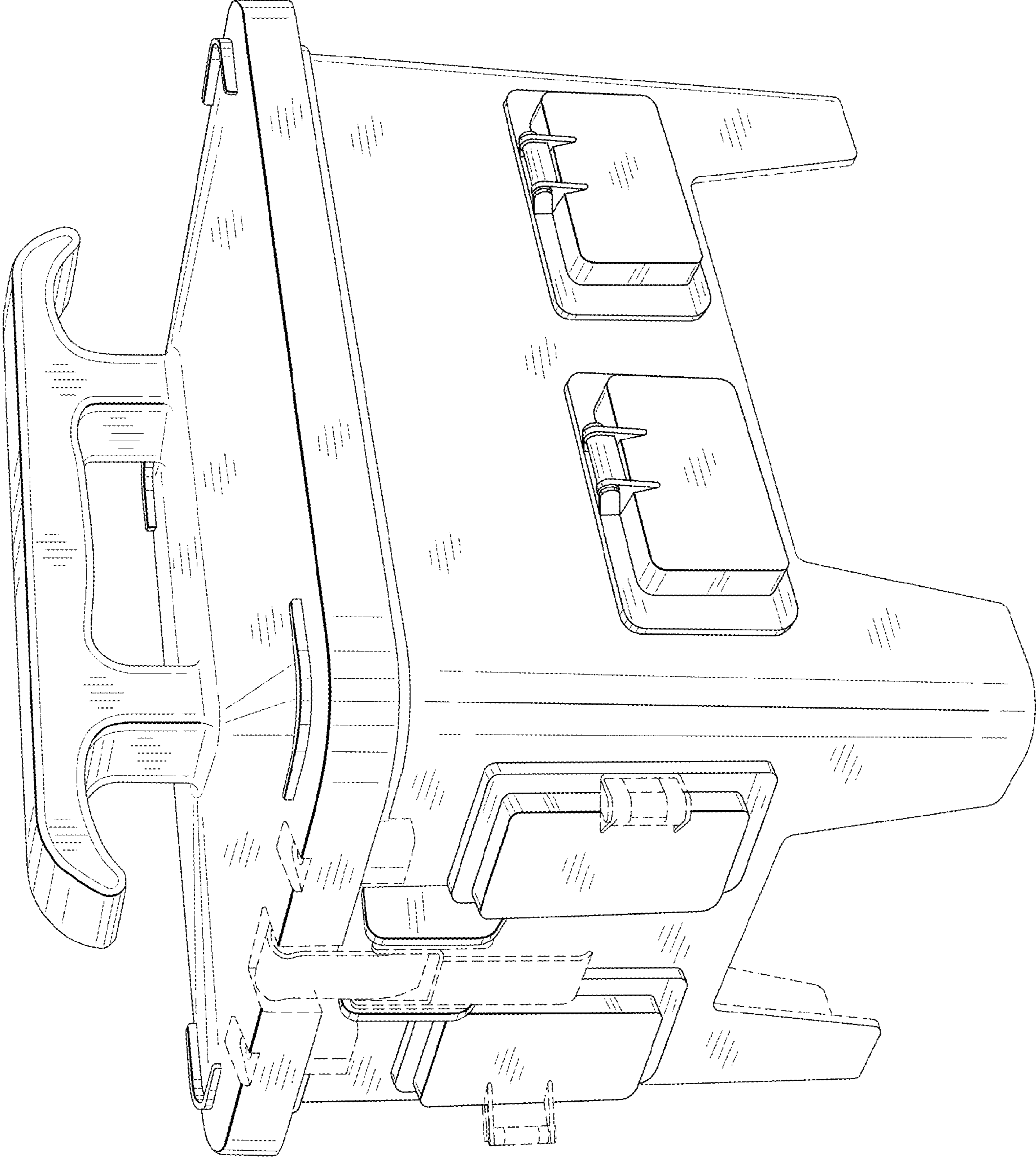


FIG. 1

FIG. 2

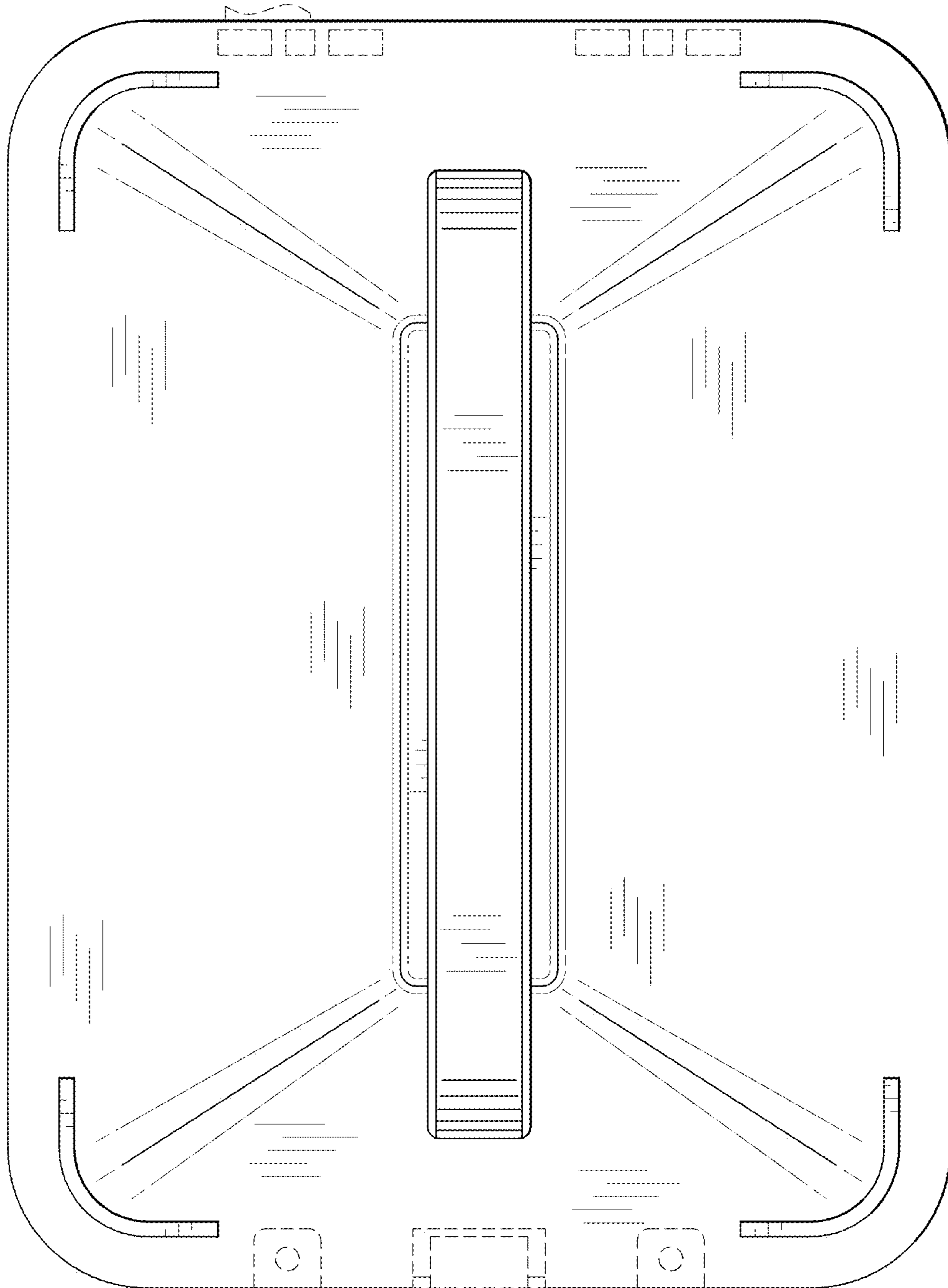


FIG. 3

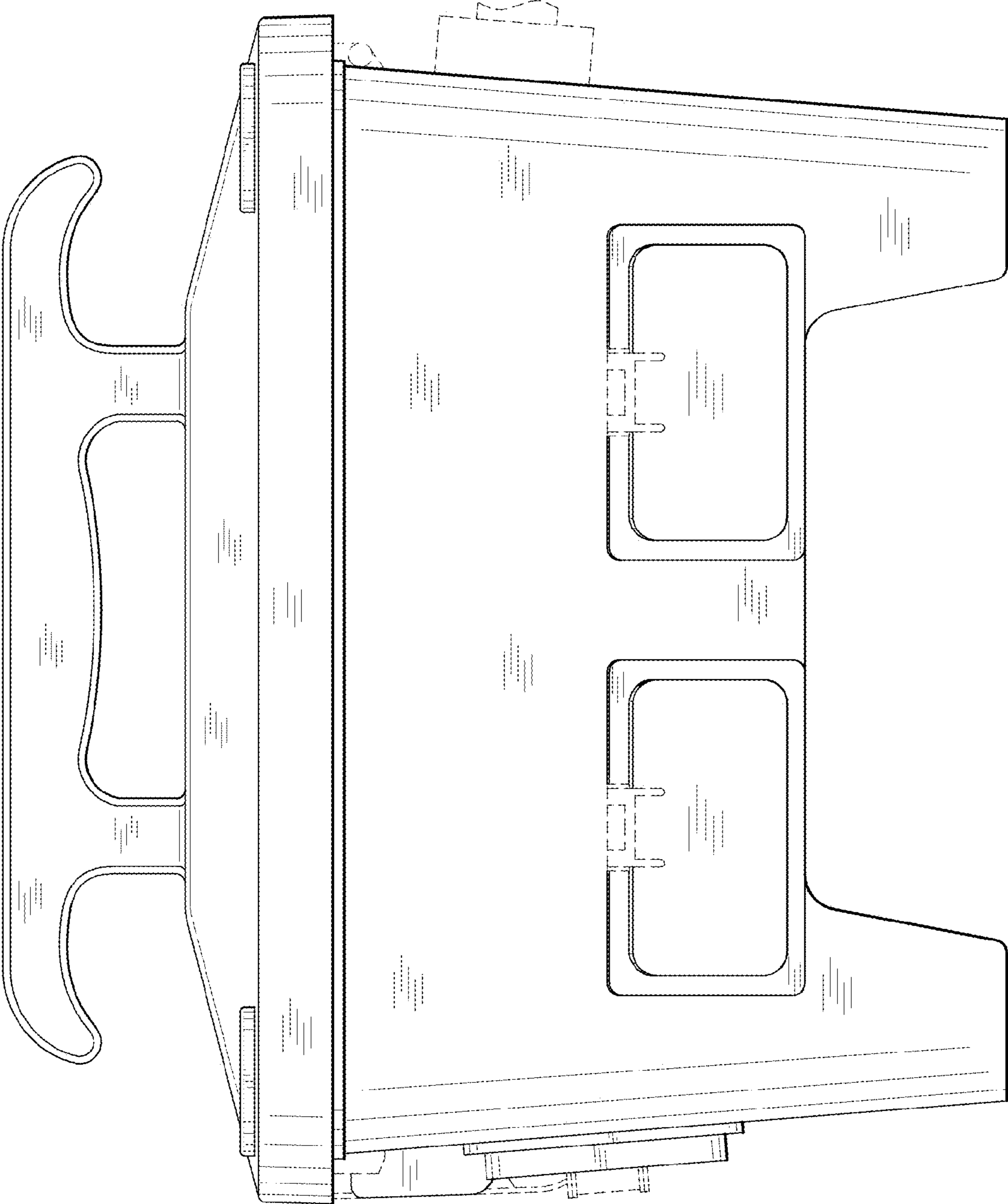


FIG. 4

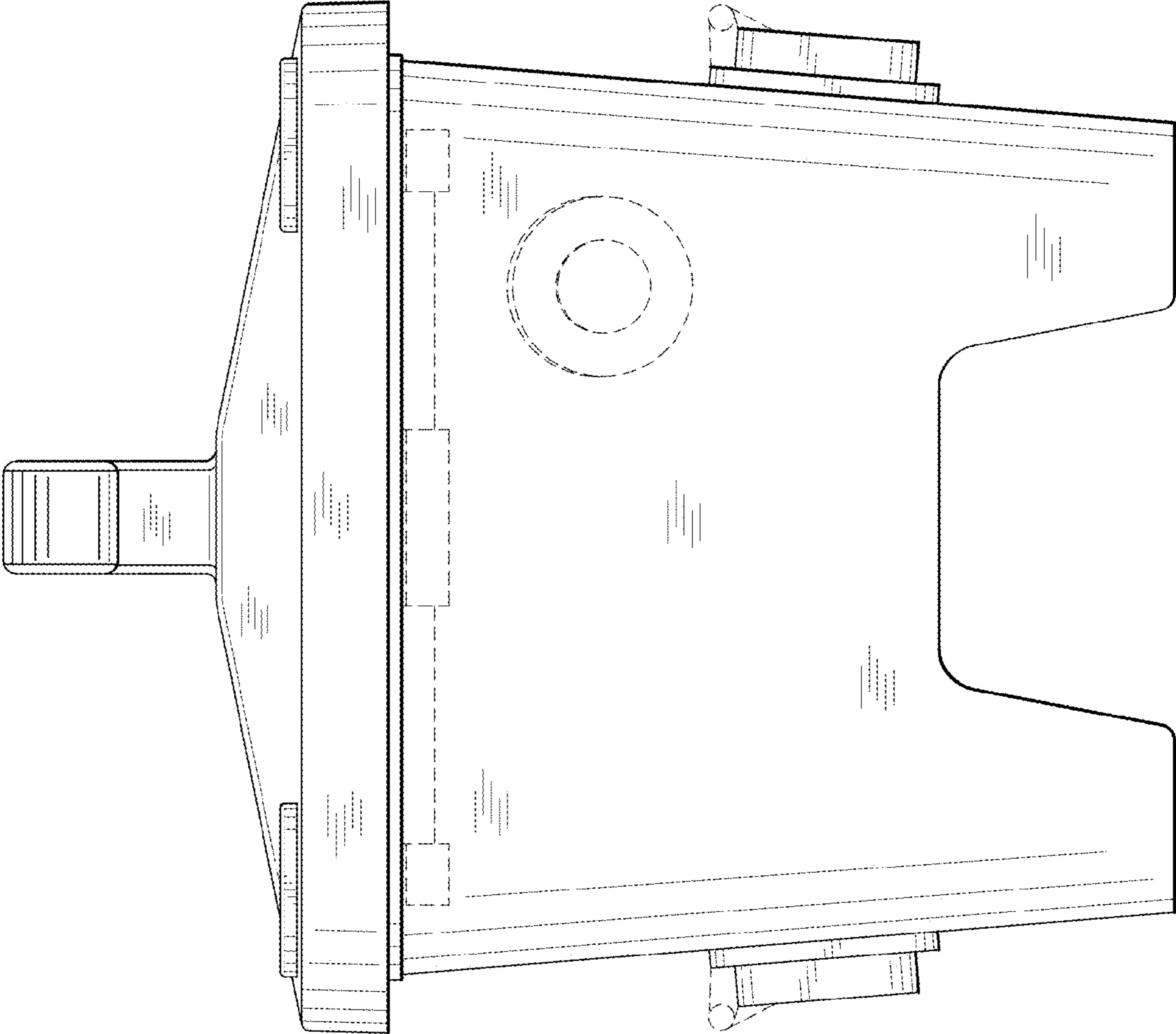


FIG. 5

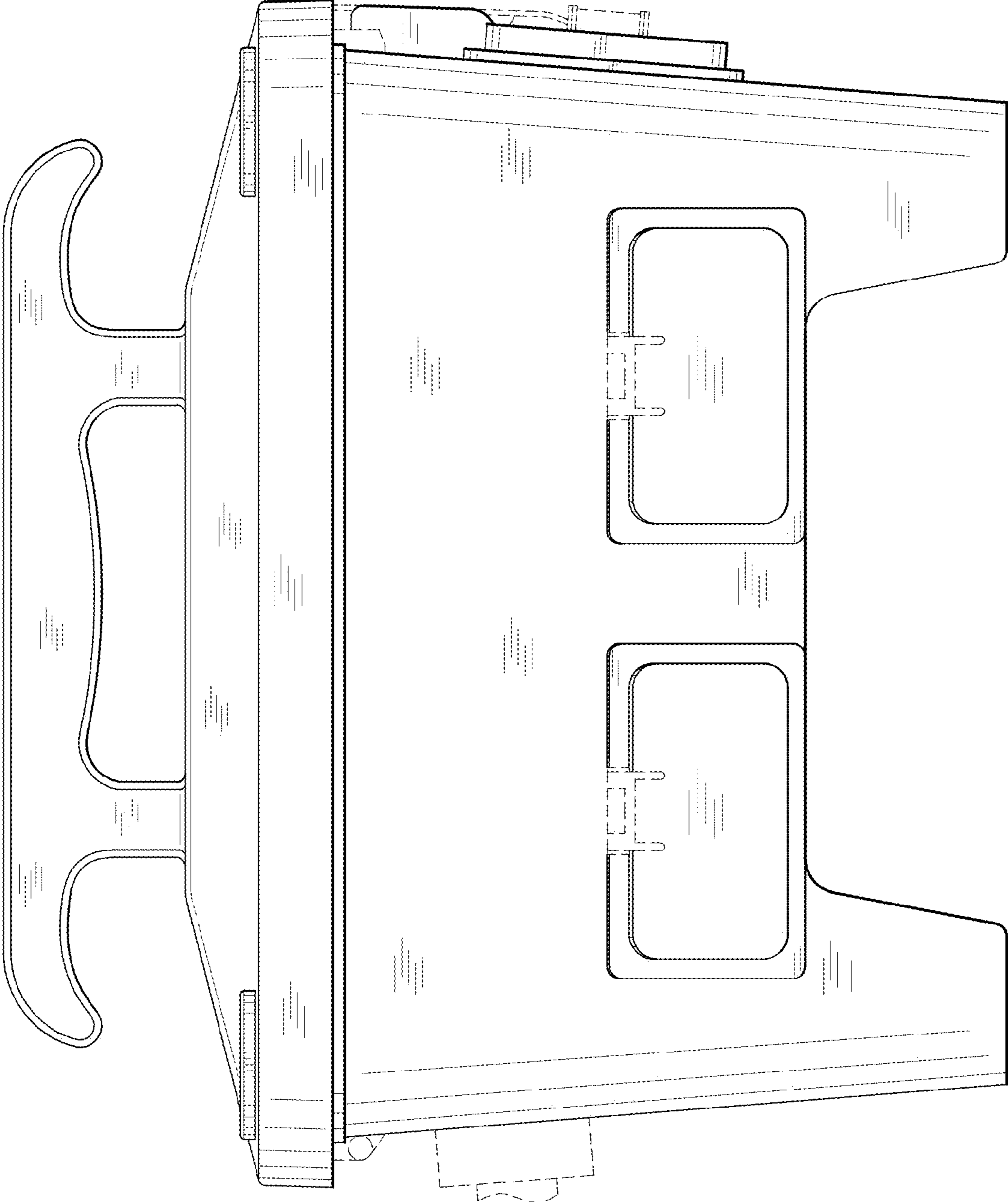


FIG. 6

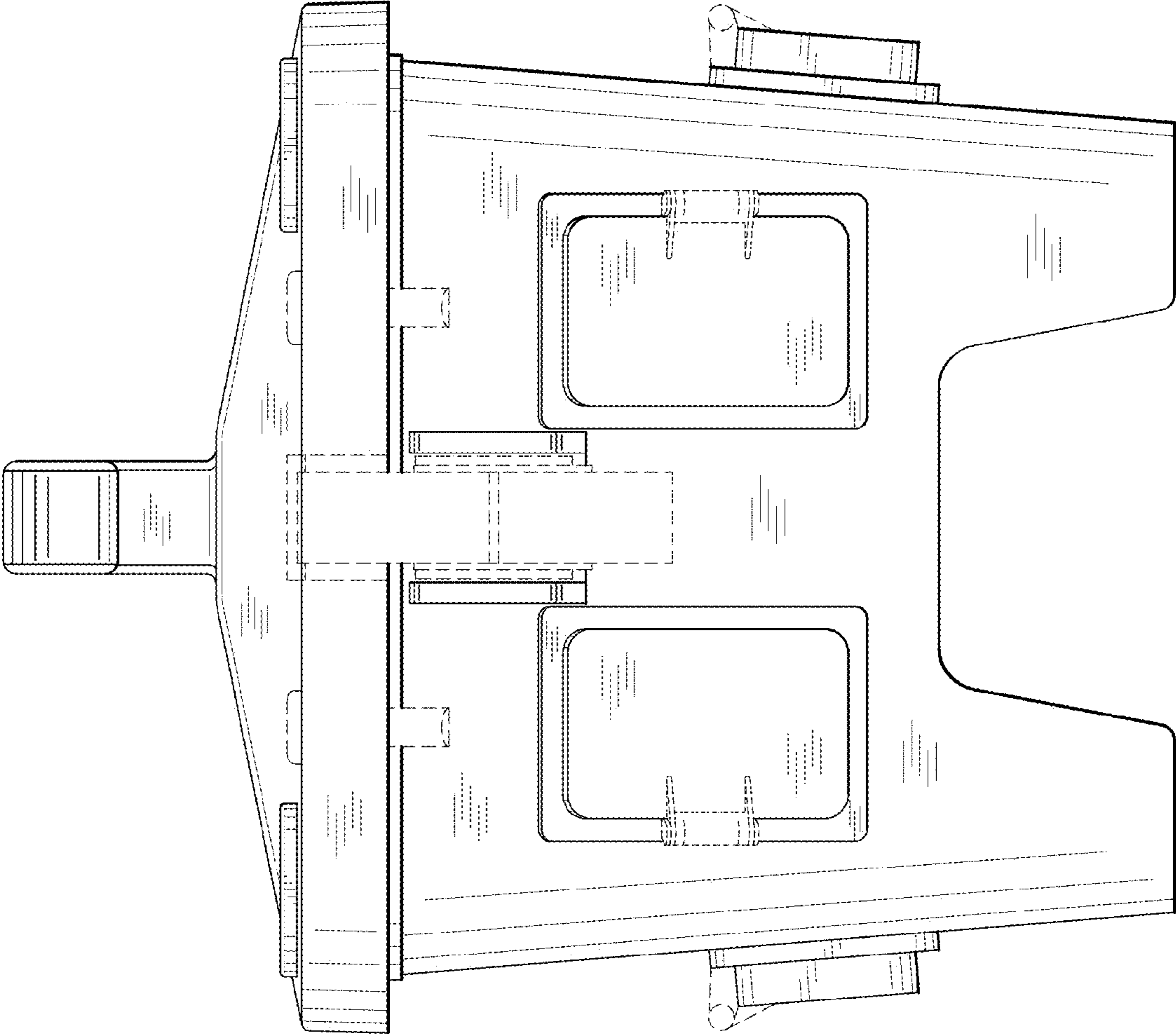




FIG. 7

