



US00D951188S

(12) **United States Design Patent** (10) **Patent No.:** **US D951,188 S**
Golbin (45) **Date of Patent:** **** May 10, 2022**

(54) **PORTABLE POWER DISTRIBUTION BOX**

(71) Applicant: **GEHR POWER SYSTEMS LLC**,
Commerce, CA (US)

(72) Inventor: **Joel Golbin**, Sherman Oaks, CA (US)

(73) Assignee: **GEHR POWER SYSTEMS LLC**,
Commerce, CA (US)

(**) Term: **15 Years**

(21) Appl. No.: **29/751,785**

(22) Filed: **Sep. 23, 2020**

(51) **LOC (13) Cl.** **13-02**

(52) **U.S. Cl.**
USPC **D13/110**

(58) **Field of Classification Search**
USPC D13/101, 102, 103, 107, 108, 110, 116,
D13/118, 119, 184, 199
CPC H02J 7/0042; H02J 7/0045; H02J 7/0047;
H02J 7/0063; H02J 7/027; H02J 7/1423;
H02J 7/32; H02J 7/342; H02M 7/003;
H05K 5/0247
See application file for complete search history.

(56) **References Cited**

U.S. PATENT DOCUMENTS

- 3,963,972 A * 6/1976 Todd H02J 7/0042
362/183
- D280,318 S * 8/1985 Barone D13/110
- D314,086 S * 1/1991 Rogers D3/282
- D466,077 S * 11/2002 Wang D13/110
- D469,401 S * 1/2003 Griffey D13/110
- 6,577,098 B2 * 6/2003 Griffey H02J 7/0042
320/103
- D592,134 S * 5/2009 Brockington D13/119
- D734,719 S * 7/2015 Johnson D13/110
- 9,399,263 B2 * 7/2016 Bashore B23K 9/32
- 9,899,853 B2 * 2/2018 Marinov H02J 7/0045

- D815,039 S * 4/2018 Wen D13/110
- 10,371,364 B2 * 8/2019 Gawthorp H01M 50/256
- D858,441 S * 9/2019 Chen D13/110
- D871,334 S * 12/2019 Chen D13/110
- D887,357 S * 6/2020 Liao D13/110
- D890,089 S * 7/2020 Yin D13/103
- 11,114,878 B2 * 9/2021 Hansen H01M 10/46
- D932,433 S * 10/2021 Tang D13/110
- 2004/0121225 A1 * 6/2004 Krieger H02J 7/0045
429/96
- 2015/0091392 A1 * 4/2015 Hwang H02J 7/0045
307/150

(Continued)

OTHER PUBLICATIONS

CEP Power Distribution Box, Grainger; retrieved on Feb. 16, 2022;
1 pg.; <https://www.grainger.com/product/CEP-Power-Distribution-Box-4MZX8>.*

(Continued)

Primary Examiner — Selina Sikder
(74) *Attorney, Agent, or Firm* — Lewis Roca Rothgerber
Christie LLP

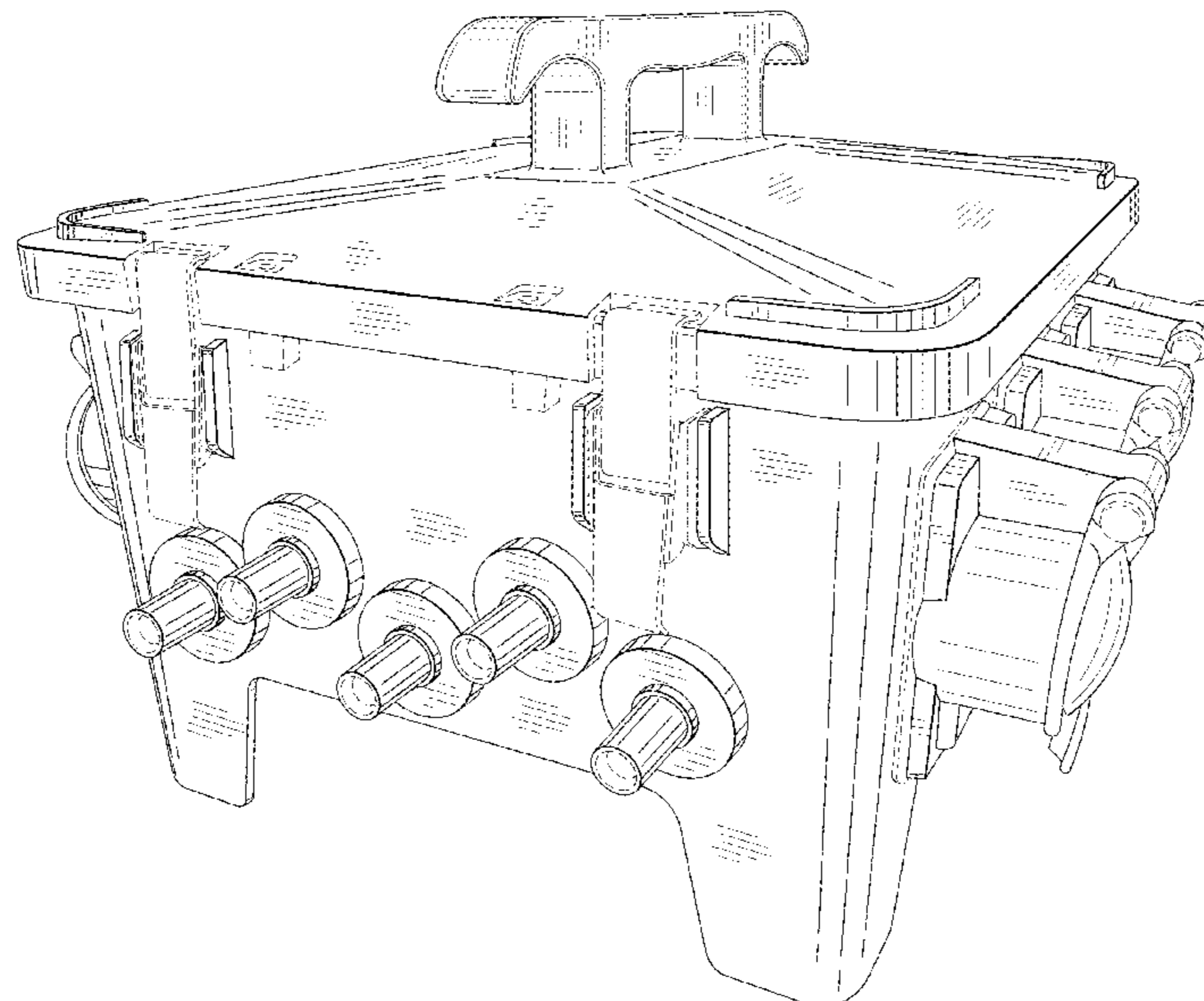
(57) **CLAIM**

The ornamental design for portable power distribution box,
as shown and described.

DESCRIPTION

FIG. 1 is a perspective view;
FIG. 2 is a top view;
FIG. 3 is a front view;
FIG. 4 is a right side view, the left side view being a mirror
image thereof;
FIG. 5 is a back view; and,
FIG. 6 is a bottom view.
The broken lines in the drawings depict portions of the
portable power distribution box that form no part of the
claimed design.

1 Claim, 6 Drawing Sheets



(56)

References Cited

U.S. PATENT DOCUMENTS

2016/0149177 A1* 5/2016 Sugeno H01M 10/425
429/151
2016/0285295 A1* 9/2016 Marinov H02J 7/0045
2018/0270980 A1* 9/2018 Kai H02J 7/0042
2019/0173305 A1* 6/2019 Nook B60L 53/14
2019/0356147 A1* 11/2019 Mueckl H02J 7/00304
2021/0075235 A1* 3/2021 Nook B60S 5/04

OTHER PUBLICATIONS

Power distribution box 63A(VD863AB)—Fluxon-Junction boxes, valkenpower; retrieved on Feb. 16, 2022; 1 pg.; <https://valkenpower.com/en-gb/power-distribution-box-63a.html>.*

Strong Portable Electrical Distribution Box , SAA Portable Distribution Board; retrieved on Feb. 16, 2022; 1 pg; <https://www.portabledistributionbox.com/sale-9897259-strong-portable-electrical-distribution-box-saa-portable-distribution-board.html>.*

Generac Portable Power Distribution Box—200 Amps, 120_208 Volts _ Northern Tool; retrieved on Feb. 16, 2022; 1 pg.; https://www.northerntool.com/shop/tools/product_200833343_200833343.*

Mobile Temporary Distribution Board , EN60439 4 Portable Power Distribution Panels, Hyper; retrieved on Feb. 16, 2022; 1 pg; <https://www.portabledistributionbox.com/sale-9909073-mobile-temporary-distribution-board-en60439-4-portable-power-distribution-panels.html>.*

* cited by examiner

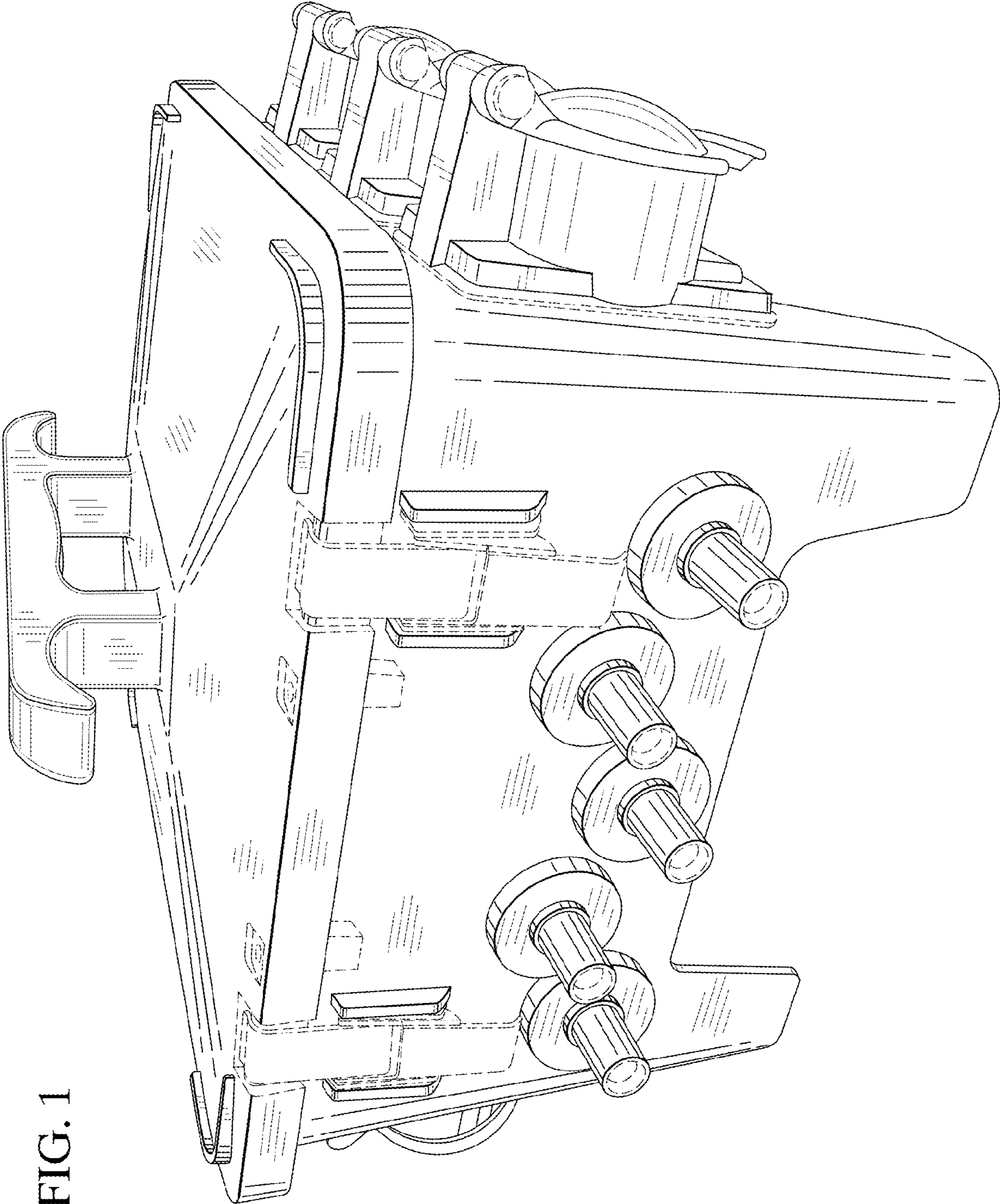


FIG. 1

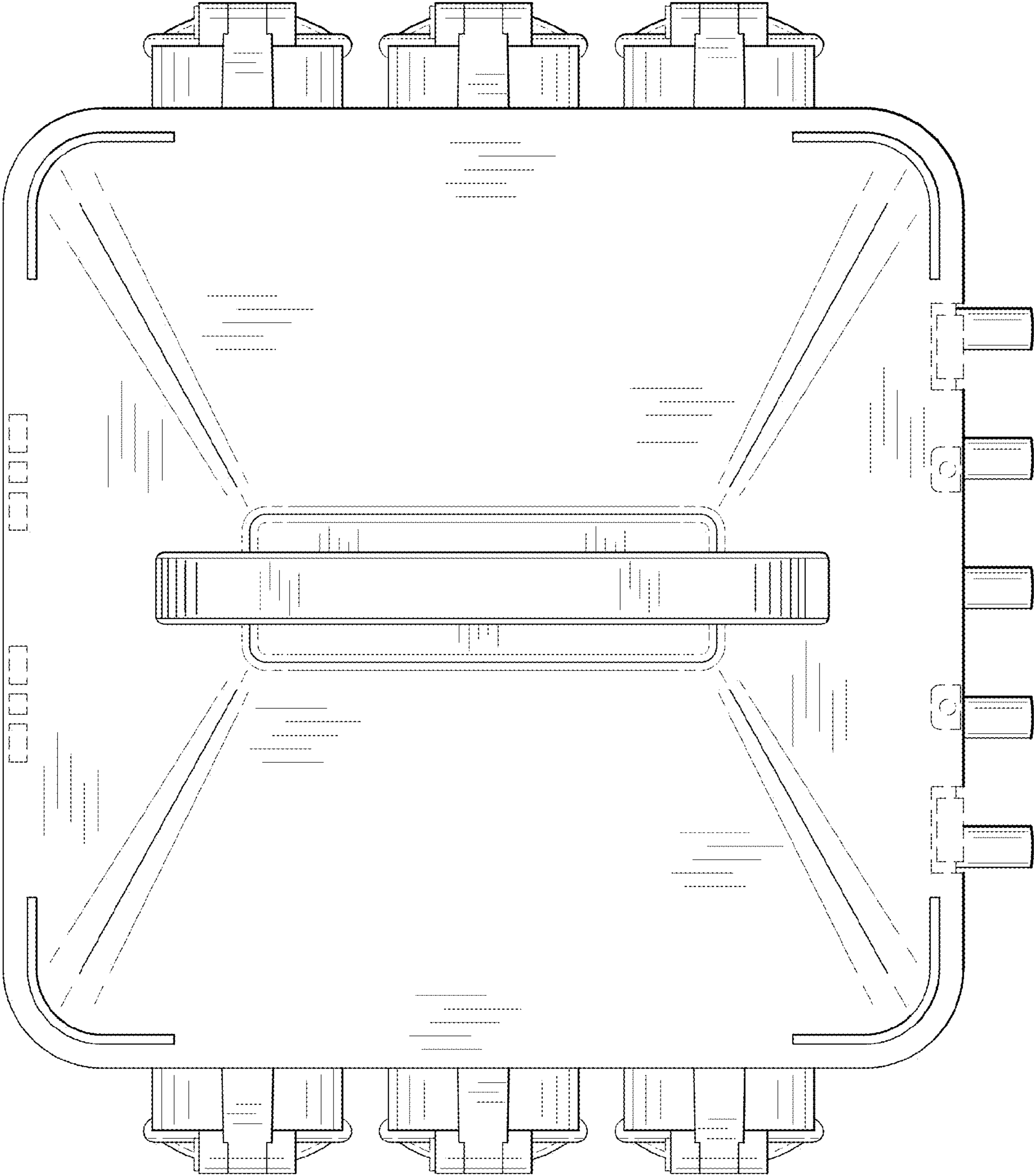


FIG. 2

FIG. 3

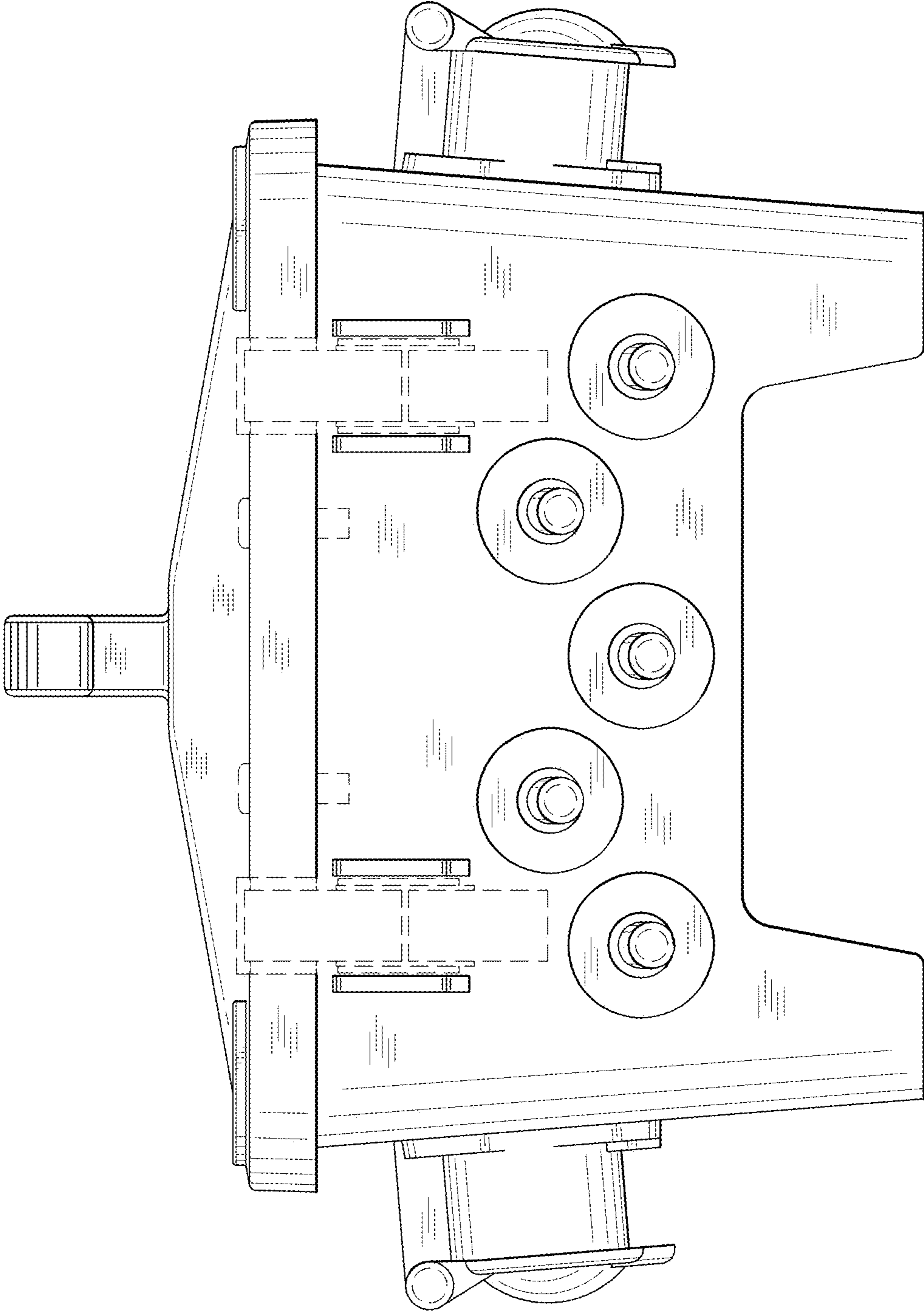


FIG. 4

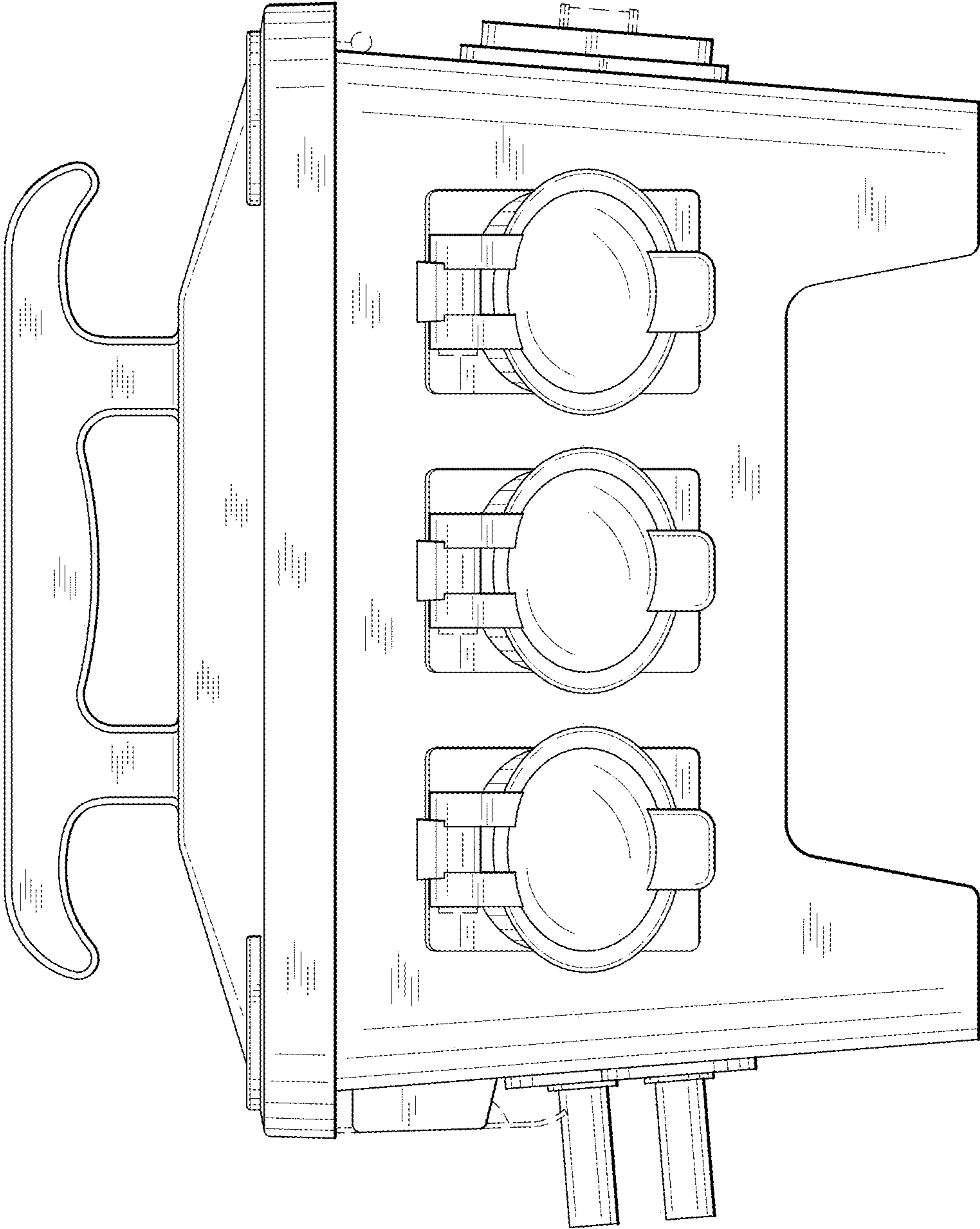


FIG. 5

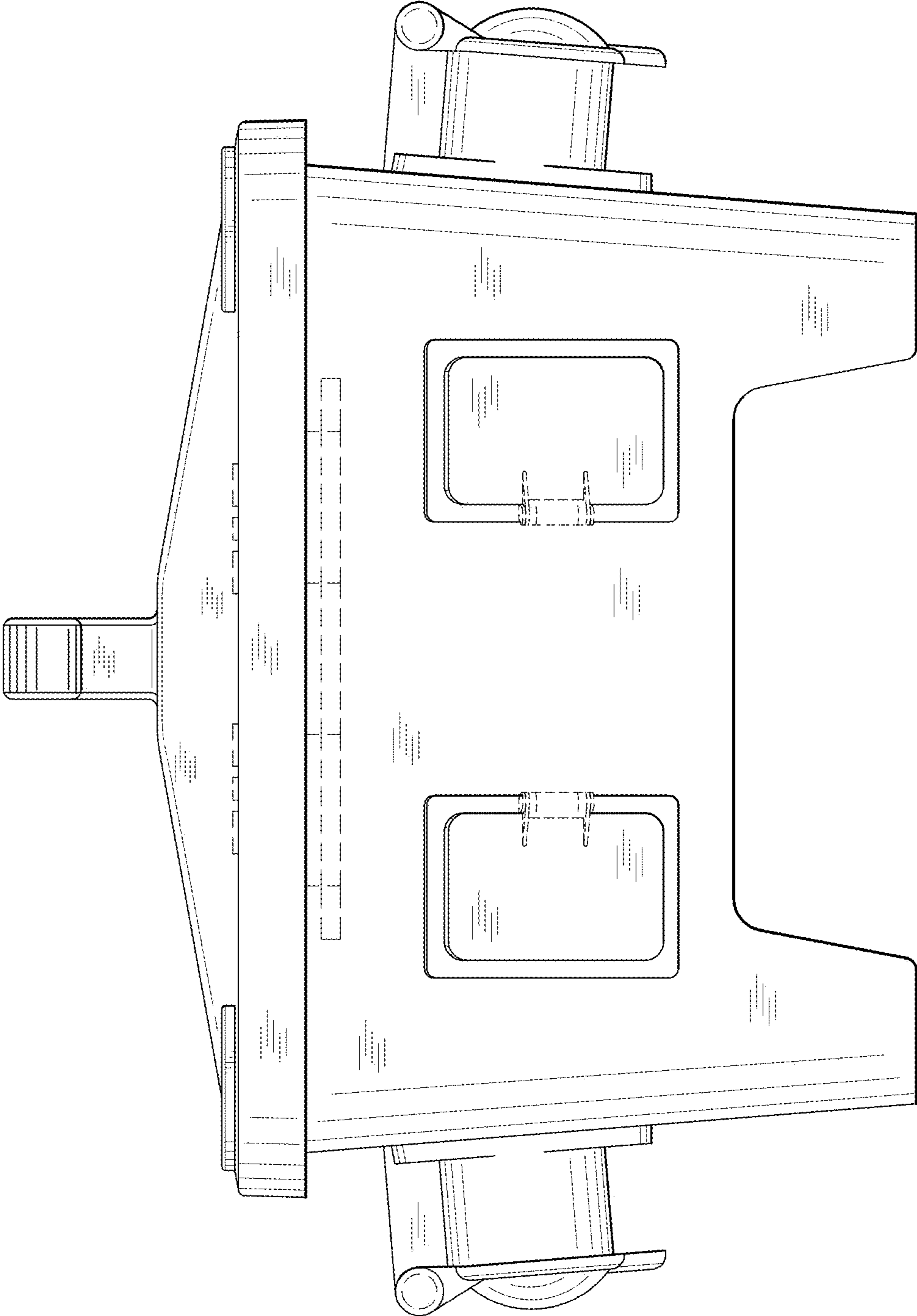


FIG. 6

