



US00D951186S

(12) **United States Design Patent**
Du et al.

(10) **Patent No.:** **US D951,186 S**
(45) **Date of Patent:** **** May 10, 2022**

(54) **FREQUENCY CONVERTER**

(71) Applicant: **ABB Beijing Drive Systems Co., Ltd.**,
Beijing (CN)

(72) Inventors: **Peng Du**, Beijing (CN); **QuanHong Zhou**,
Beijing (CN); **Hua Zhao**, Beijing (CN)

(73) Assignee: **ABB BEIJING DRIVE SYSTEMS CO., LTD.**,
Beijing (CN)

(**) Term: **15 Years**

(21) Appl. No.: **29/729,709**

(22) Filed: **Mar. 30, 2020**

(30) **Foreign Application Priority Data**

Dec. 30, 2019 (CN) 201930740692.7

(51) **LOC (13) Cl.** **13-02**

(52) **U.S. Cl.**
USPC **D13/110**

(58) **Field of Classification Search**
USPC D13/110, 101, 118, 123, 162, 164, 184,
D13/199; D15/149 H02M 7/00; H02M
7/02; H02M 7/003; H05K 5/00; H05K
5/0017; H05K 5/04; H05K 7/20; H05K
7/20136; H05K 7/20209; H05K 7/20418;
G06F 1/20

See application file for complete search history.

(56) **References Cited**

U.S. PATENT DOCUMENTS

4,620,263 A * 10/1986 Ito H05K 7/20918
361/736
D403,301 S * 12/1998 Lehmann D13/110
D586,744 S * 2/2009 Jaskari D13/110
D595,225 S * 6/2009 Juva D13/110
D771,565 S * 11/2016 Saarivirta D13/110
D772,162 S * 11/2016 Saarivirta D13/110

D804,417 S * 12/2017 Baacke D13/110
2001/0019495 A1 * 9/2001 Miettinen H02M 7/003
363/157
2017/0077831 A1 * 3/2017 Yanagimoto H05K 7/1432

* cited by examiner

Primary Examiner — Derrick E Holland
(74) *Attorney, Agent, or Firm* — Greenberg Traurig, LLP

(57) **CLAIM**

The ornamental design for a frequency converter, as shown and described.

DESCRIPTION

FIG. 1 illustrates a front side view of a first embodiment of a frequency converter.

FIG. 2 illustrates a rear side view of the frequency converter shown in FIG. 1.

FIG. 3 illustrates a left side view of the frequency converter shown in FIG. 1.

FIG. 4 illustrates a right side view of the frequency converter shown in FIG. 1.

FIG. 5 illustrates a top plan view of the three-phase frequency converter shown in FIG. 1.

FIG. 6 illustrates a bottom plan view of the three-phase frequency converter shown in FIG. 1.

FIG. 7 illustrates a right side perspective view of the frequency converter shown in FIG. 1.

FIG. 8 illustrates a left side perspective view of the frequency converter shown in FIG. 1.

FIG. 9 illustrates a front side view of a second embodiment of a frequency converter.

FIG. 10 illustrates a rear side view of the frequency converter shown in FIG. 9.

FIG. 11 illustrates a left side view of the frequency converter shown in FIG. 9.

FIG. 12 illustrates a right side view of the frequency converter shown in FIG. 9.

FIG. 13 illustrates a top plan view of the three-phase frequency converter shown in FIG. 9.

FIG. 14 illustrates a bottom plan view of the three-phase frequency converter shown in FIG. 9.

(Continued)

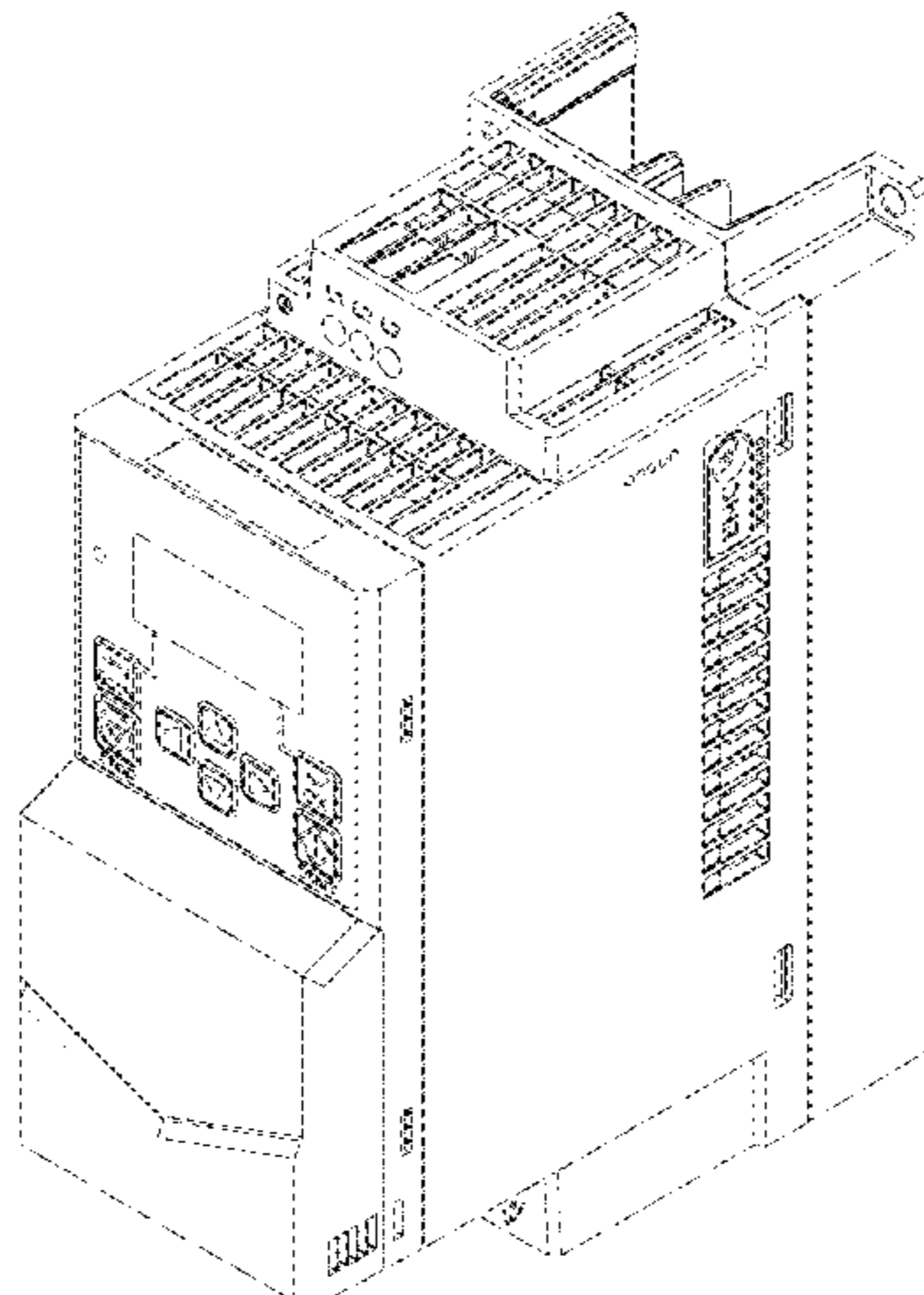


FIG. 15 illustrates a right side perspective view of the frequency converter shown in FIG. 9.

FIG. 16 illustrates a left side perspective view of the frequency converter shown in FIG. 9.

FIG. 17 illustrates a front side view of a third embodiment of a frequency converter.

FIG. 18 illustrates a rear side view of the frequency converter shown in FIG. 17.

FIG. 19 illustrates a left side view of the frequency converter shown in FIG. 17.

FIG. 20 illustrates a right side view of the frequency converter shown in FIG. 17.

FIG. 21 illustrates a top plan view of the three-phase frequency converter shown in FIG. 17.

FIG. 22 illustrates a bottom plan view of the three-phase frequency converter shown in FIG. 17.

FIG. 23 illustrates a right side perspective view of the frequency converter shown in FIG. 17.

FIG. 24 illustrates a left side perspective view of the frequency converter shown in FIG. 17.

FIG. 25 illustrates a front side view of a fourth embodiment of a frequency converter.

FIG. 26 illustrates a rear side view of the frequency converter shown in FIG. 25.

FIG. 27 illustrates a left side view of the frequency converter shown in FIG. 25.

FIG. 28 illustrates a right side view of the frequency converter shown in FIG. 25.

FIG. 29 illustrates a top plan view of the three-phase frequency converter shown in FIG. 25.

FIG. 30 illustrates a bottom plan view of the three-phase frequency converter shown in FIG. 25.

FIG. 31 illustrates a right side perspective view of the frequency converter shown in FIG. 25; and,

FIG. 32 illustrates a left side perspective view of the frequency converter shown in FIG. 25.

1 Claim, 32 Drawing Sheets

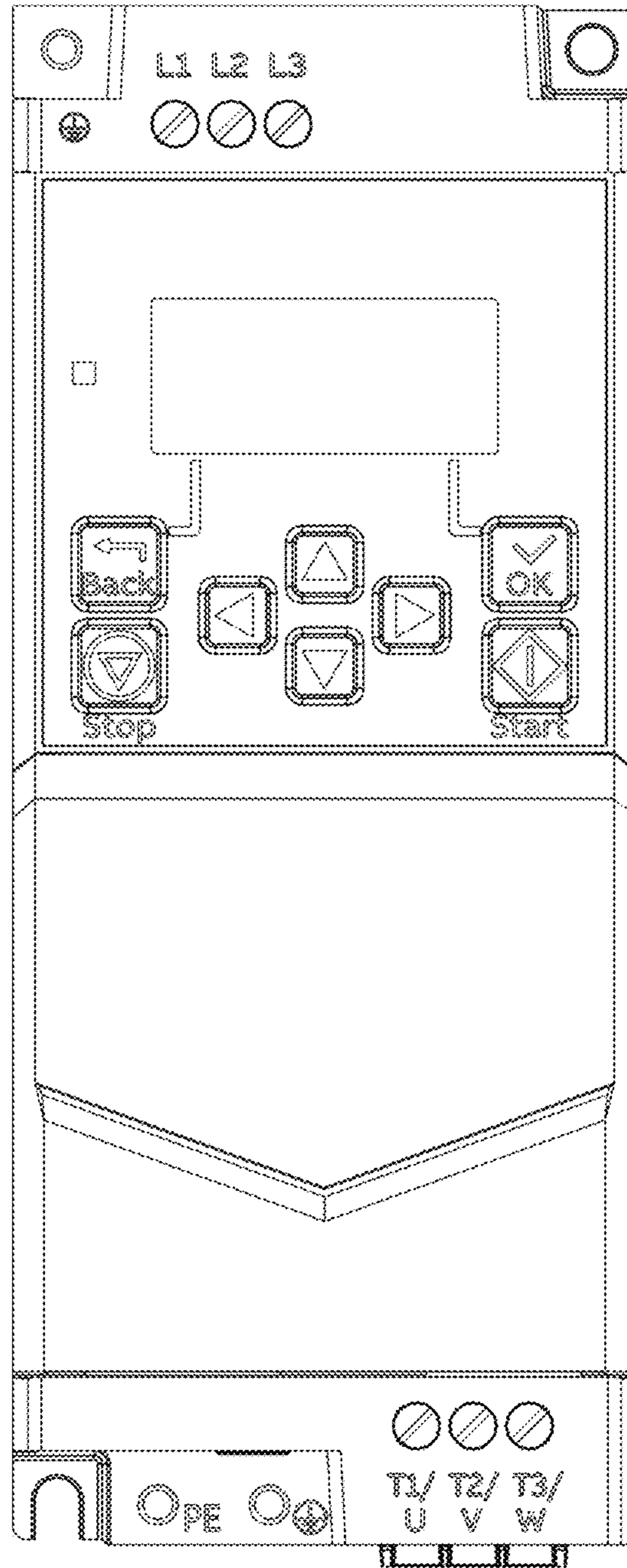


FIG. 1

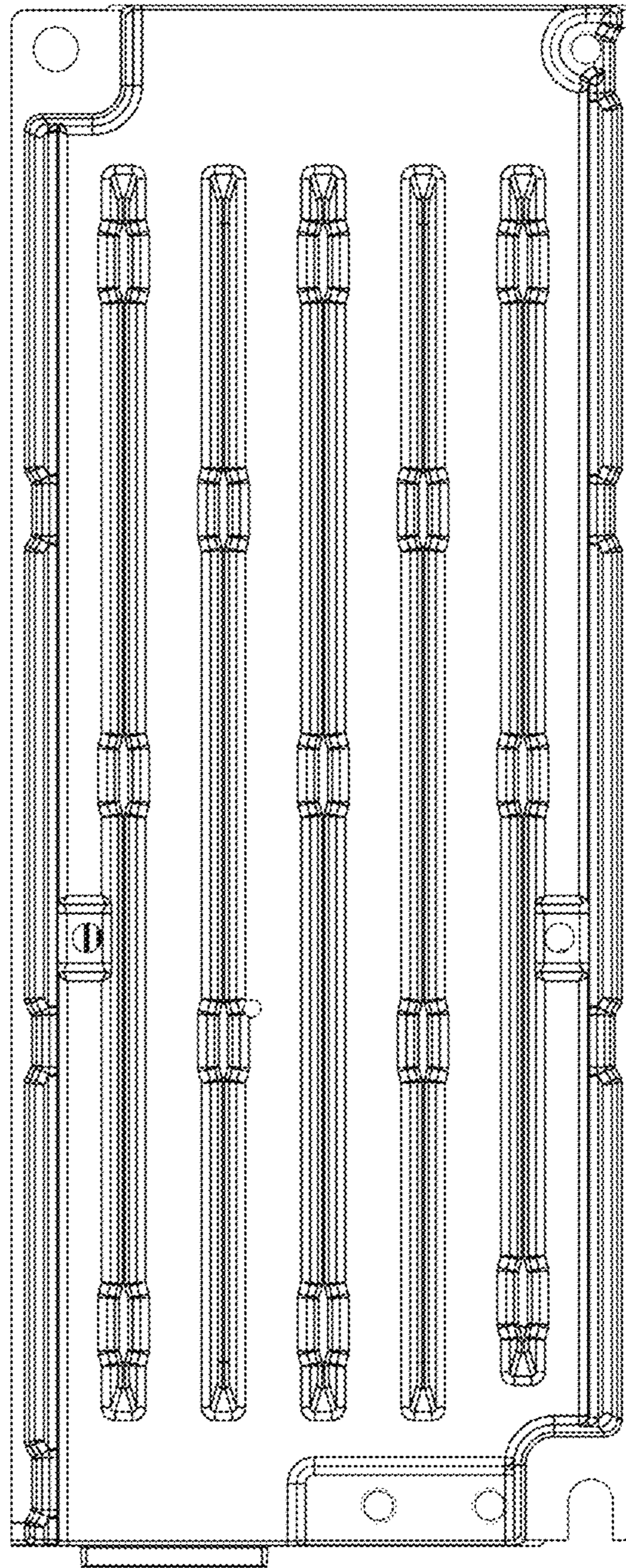


FIG. 2

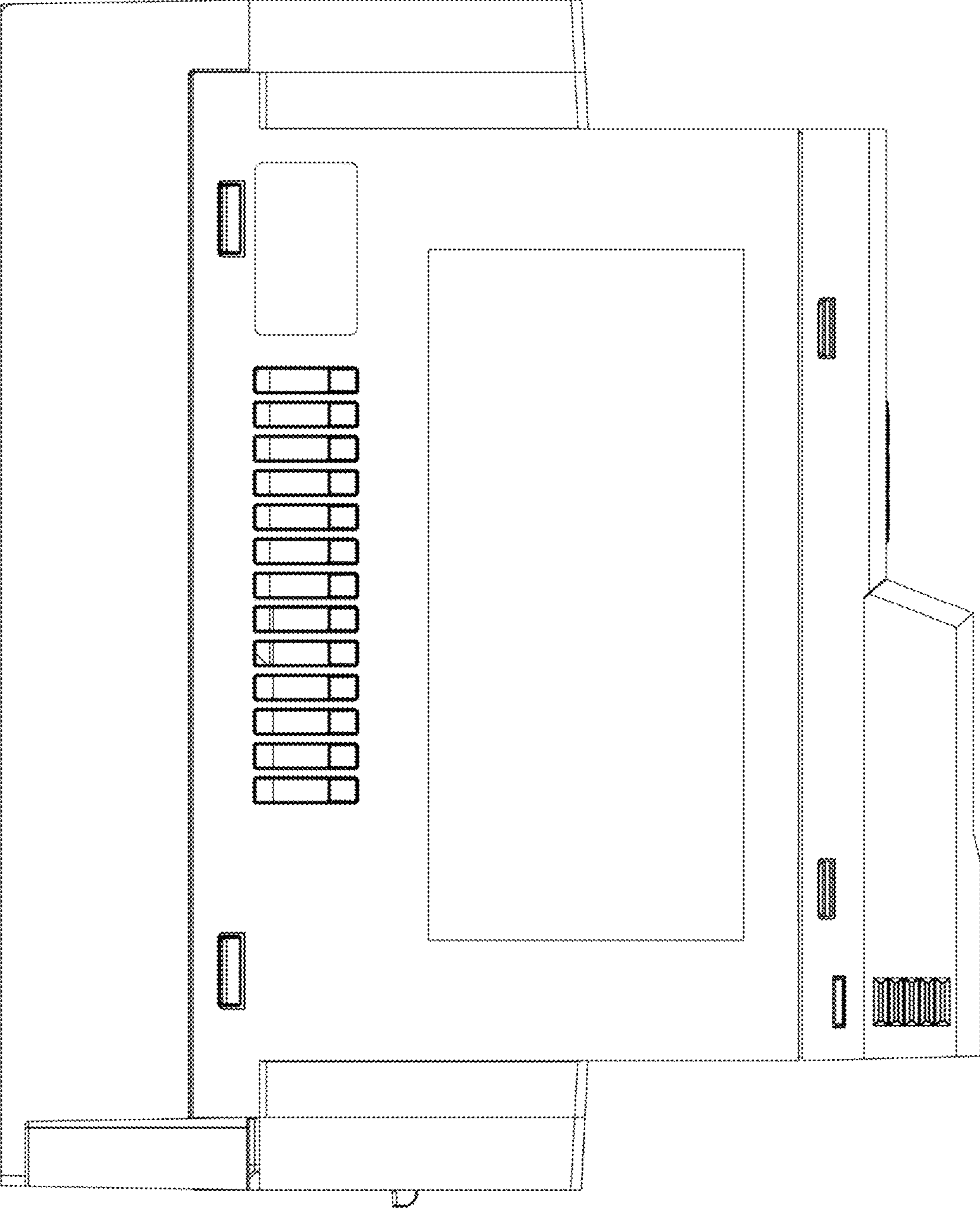


FIG. 3

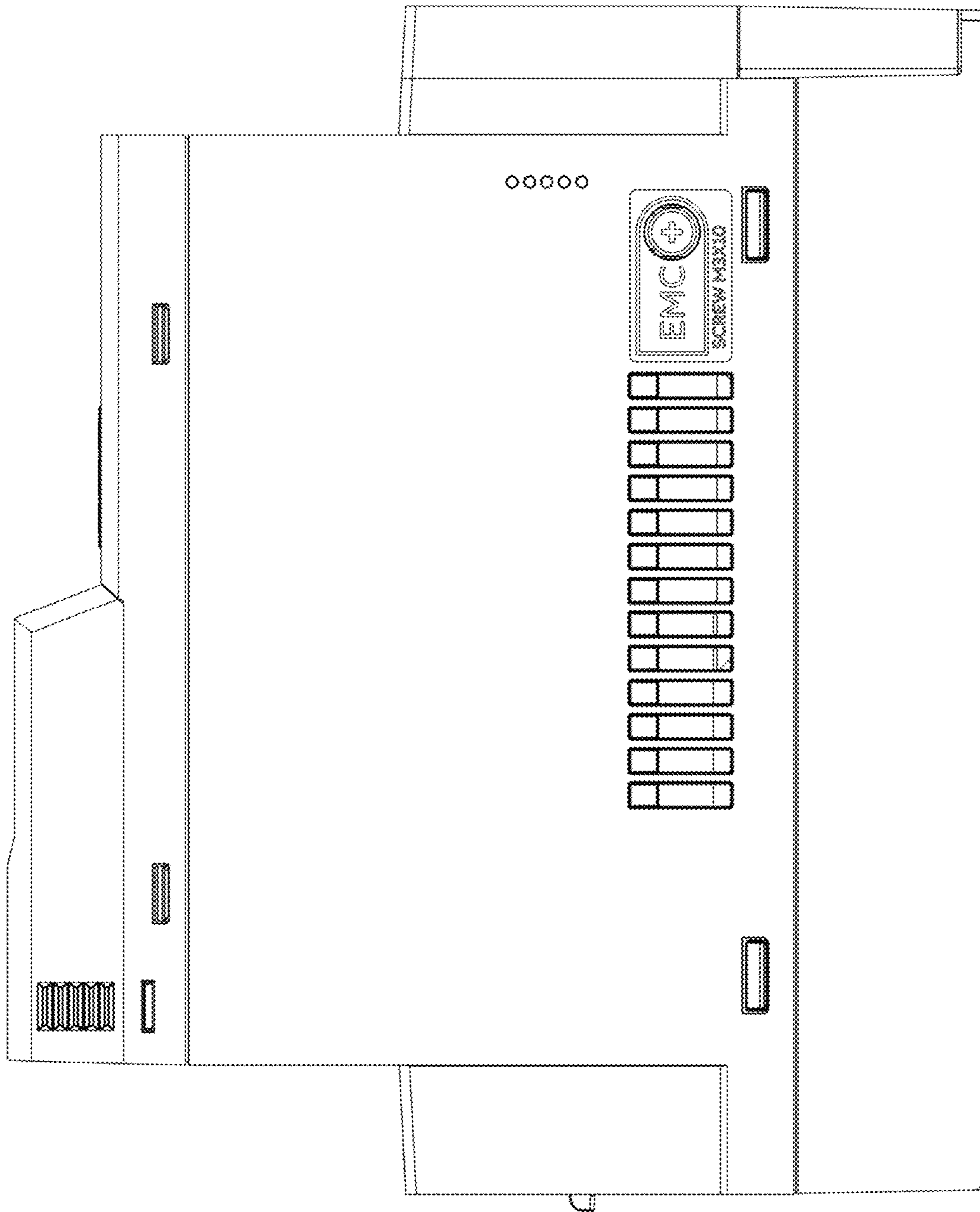


FIG. 4

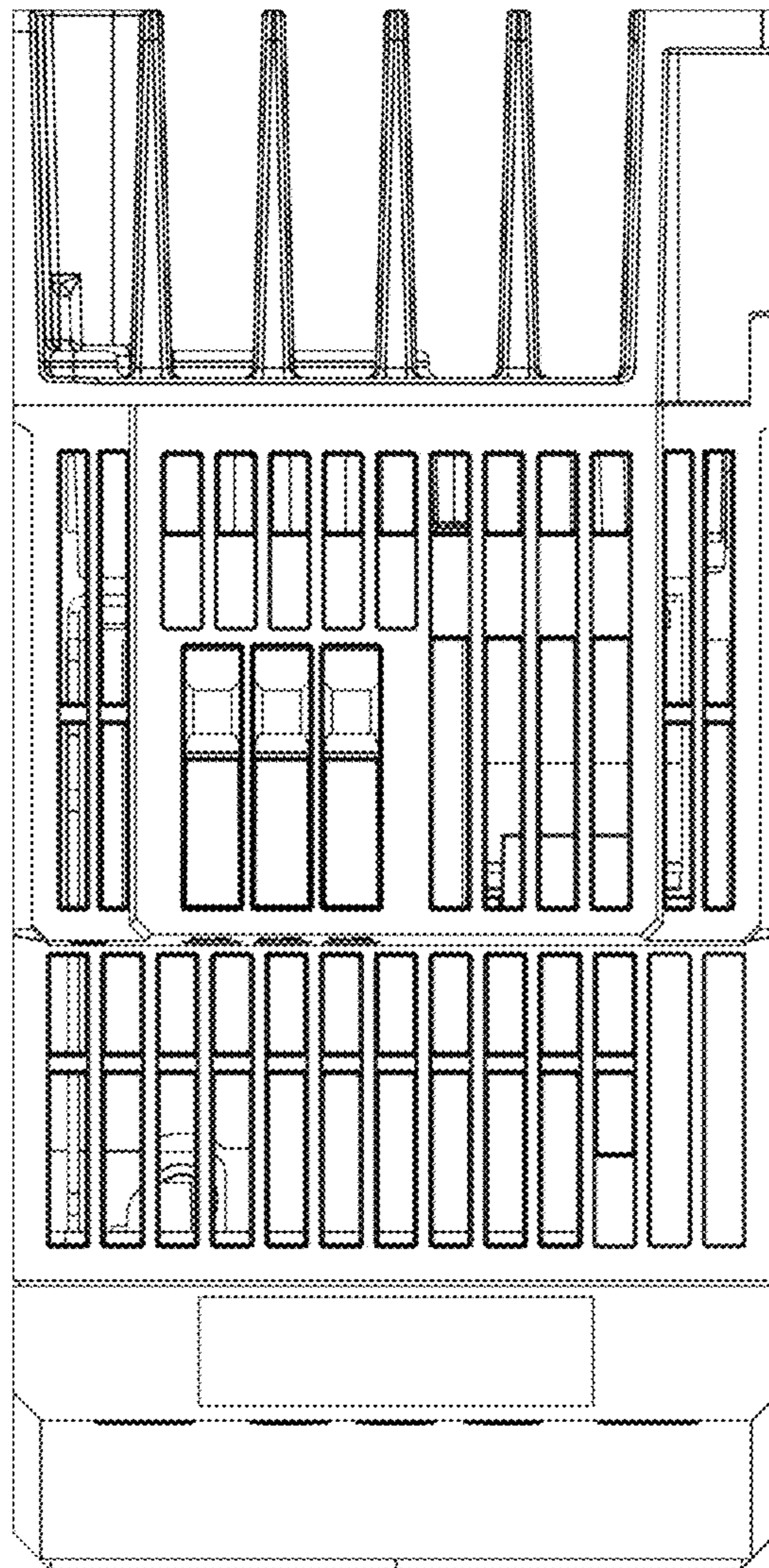


FIG. 5

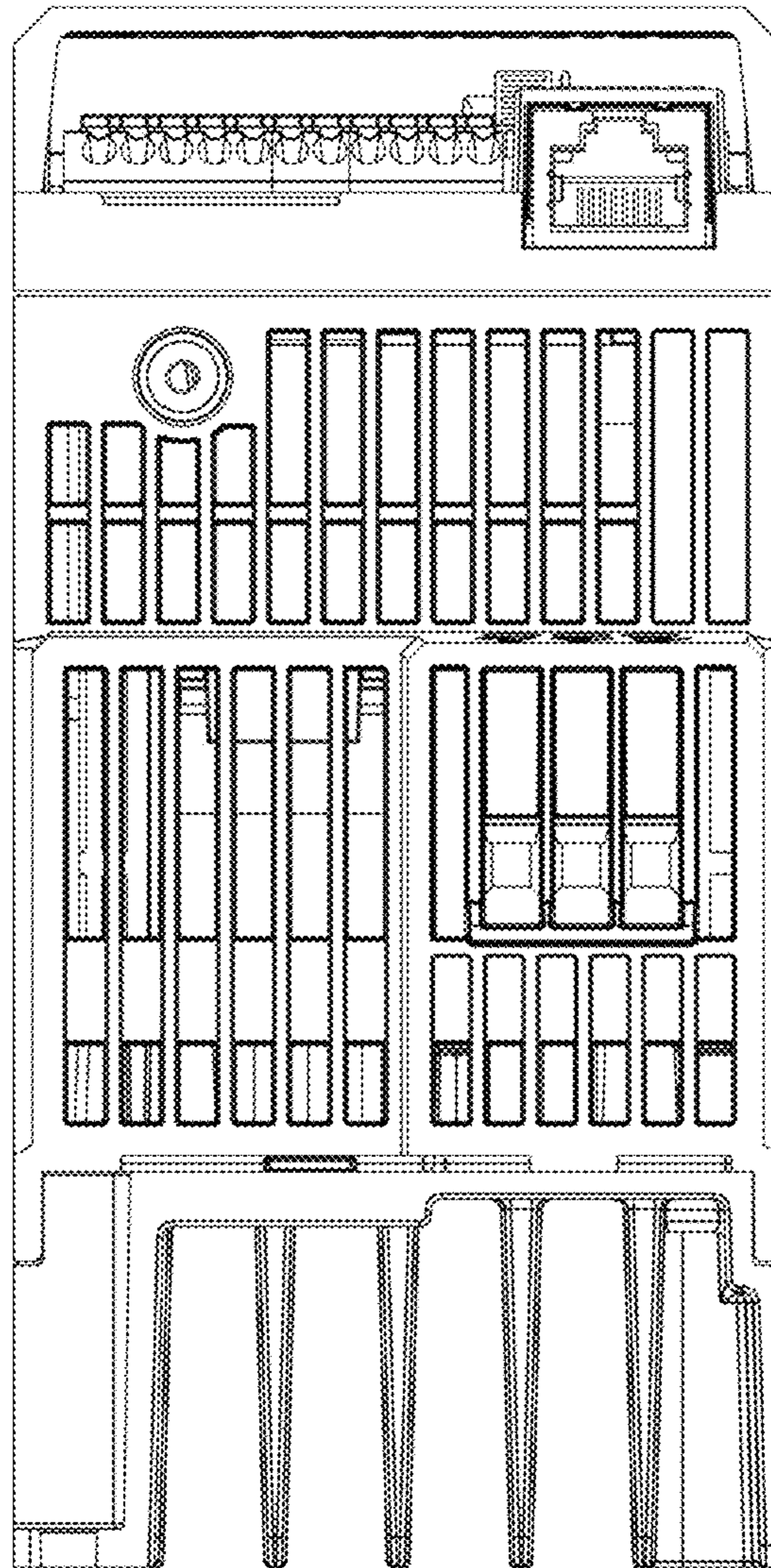


FIG. 6

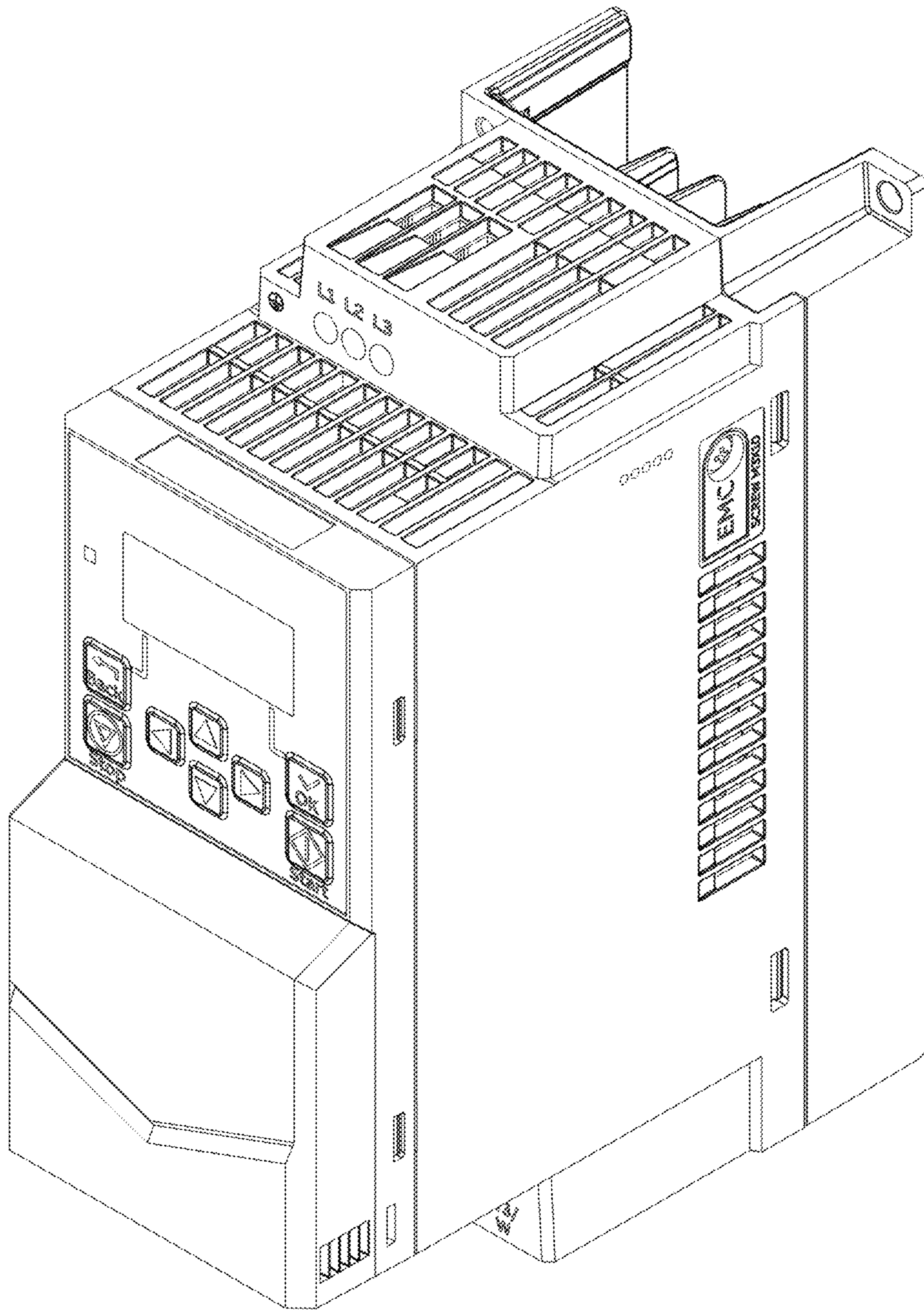


FIG. 7

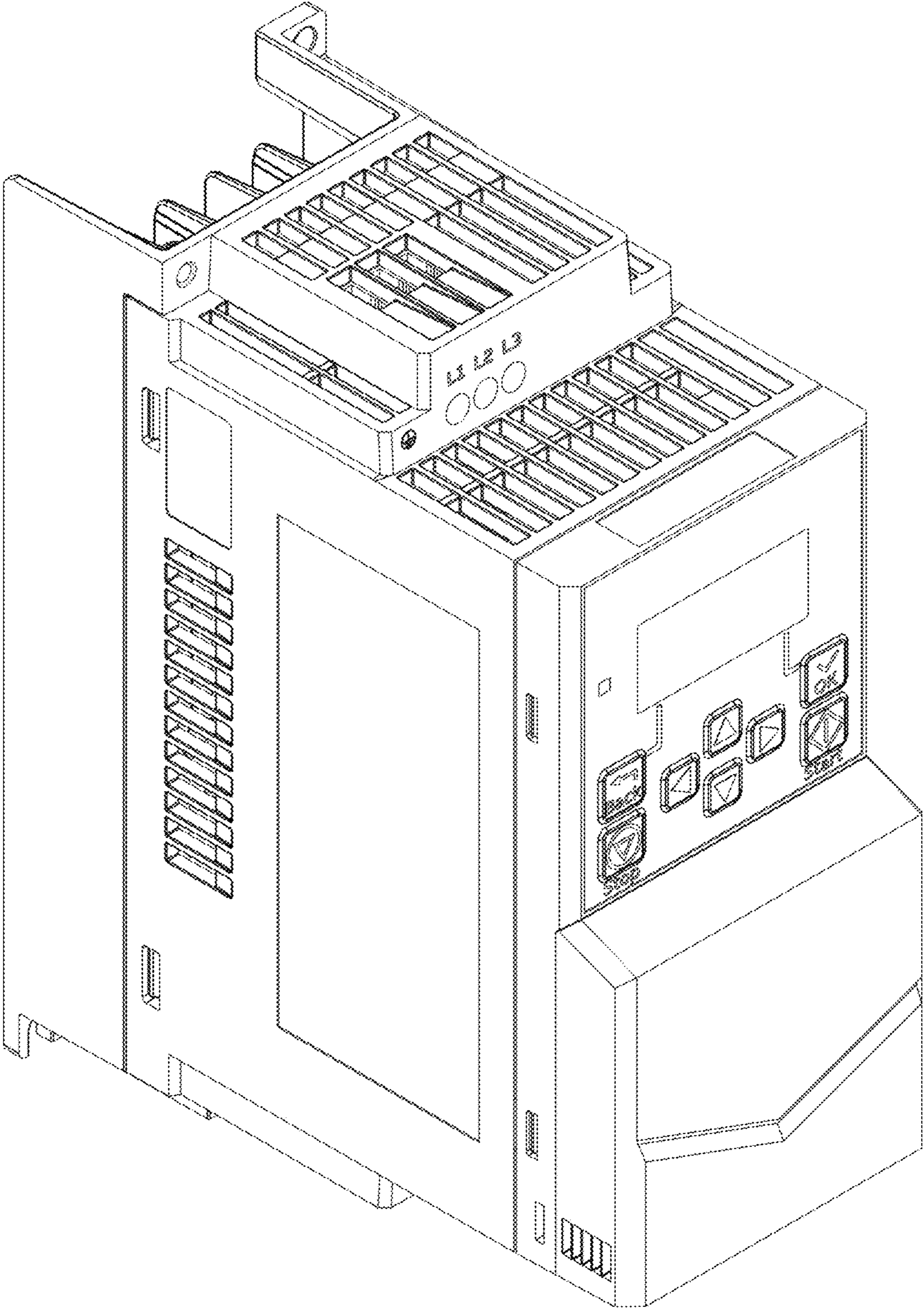


FIG. 8

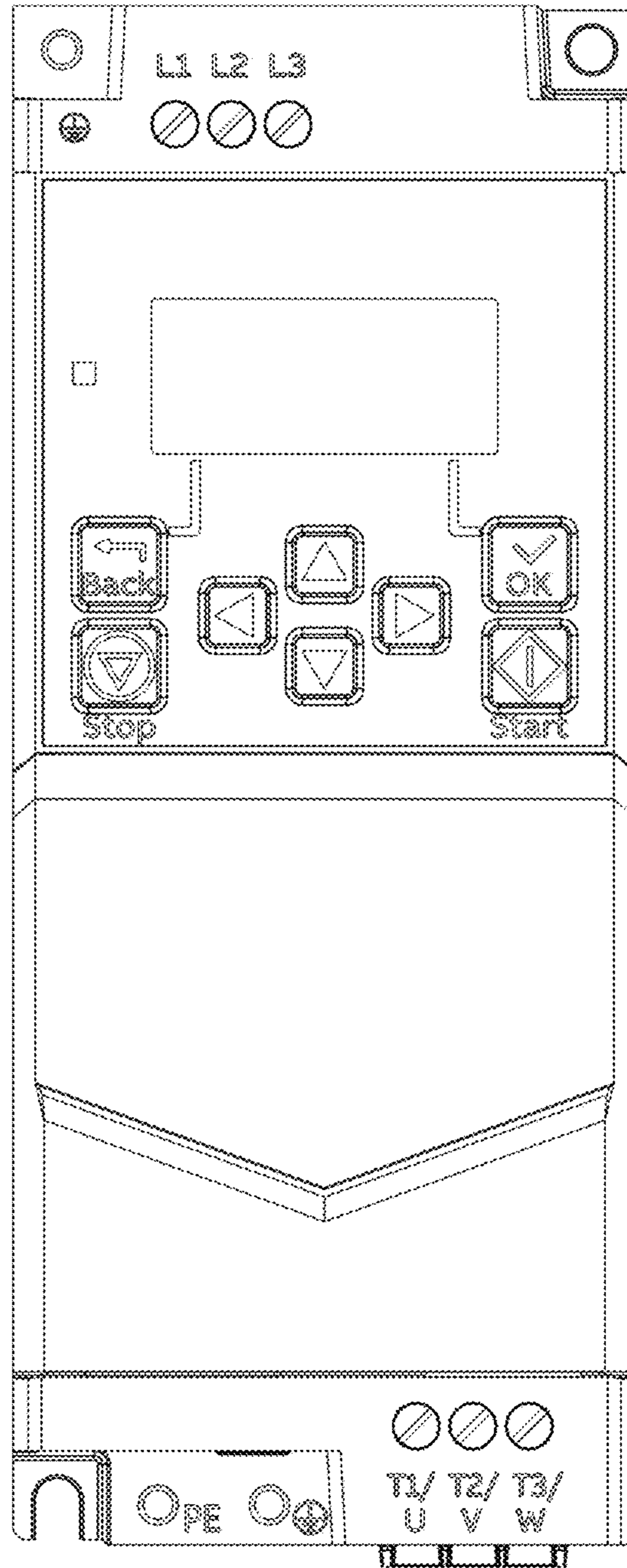


FIG. 9

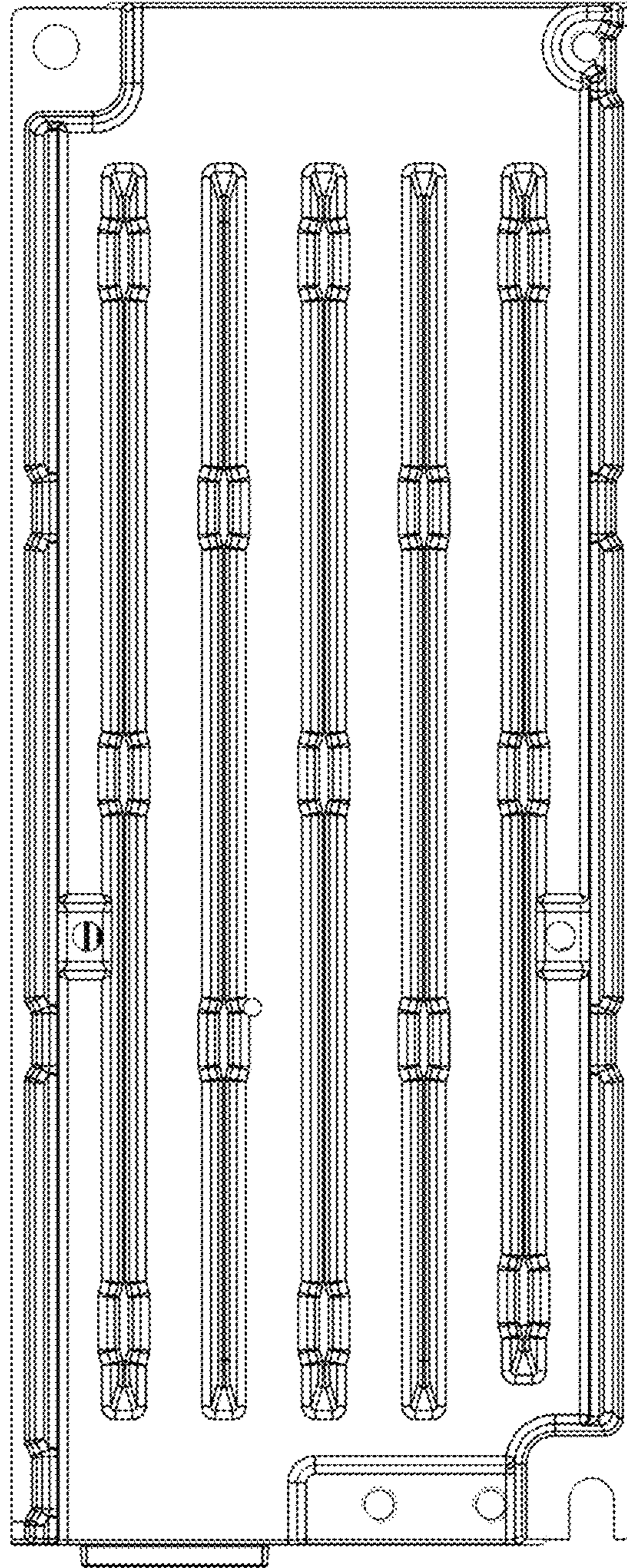


FIG. 10

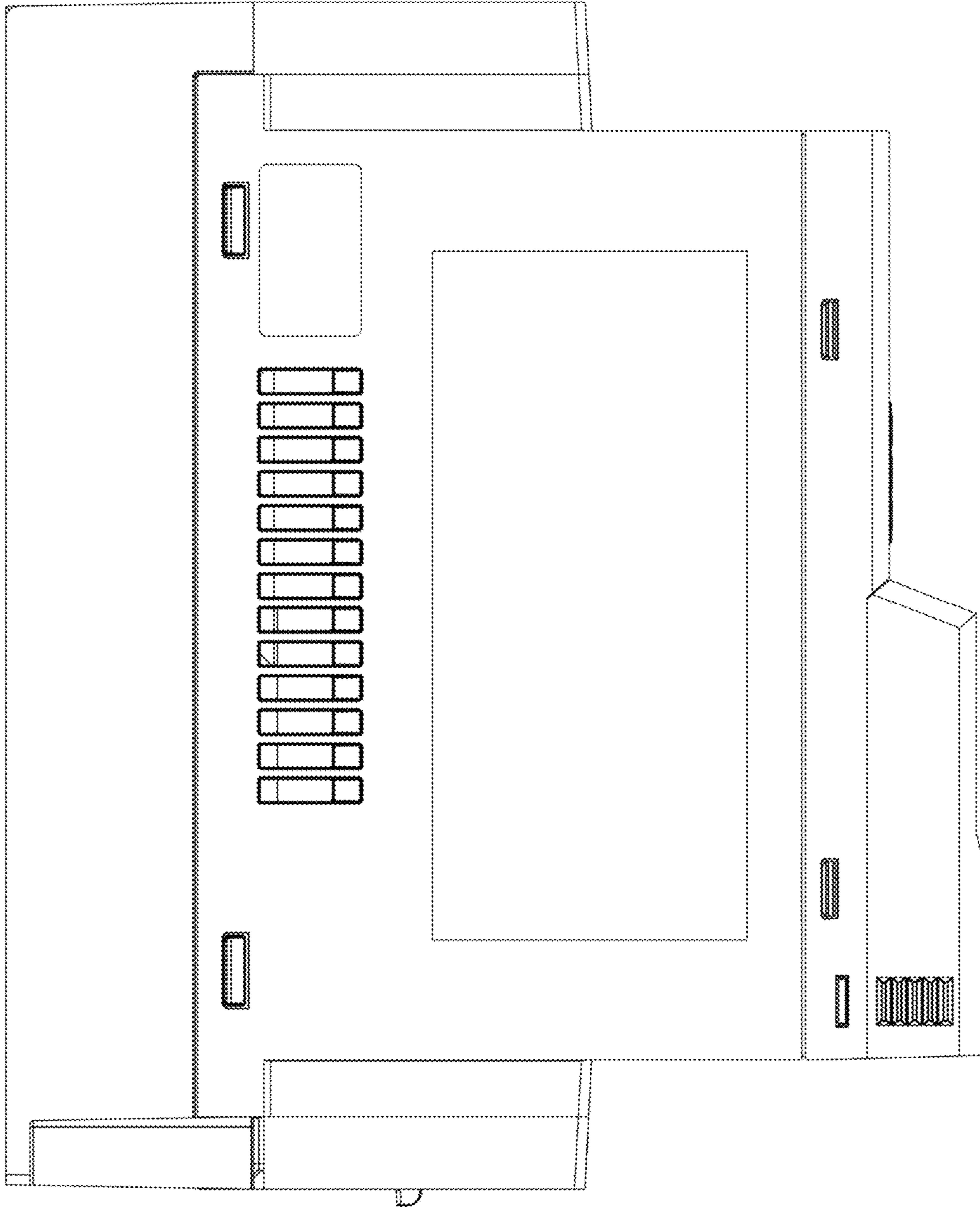


FIG. 11

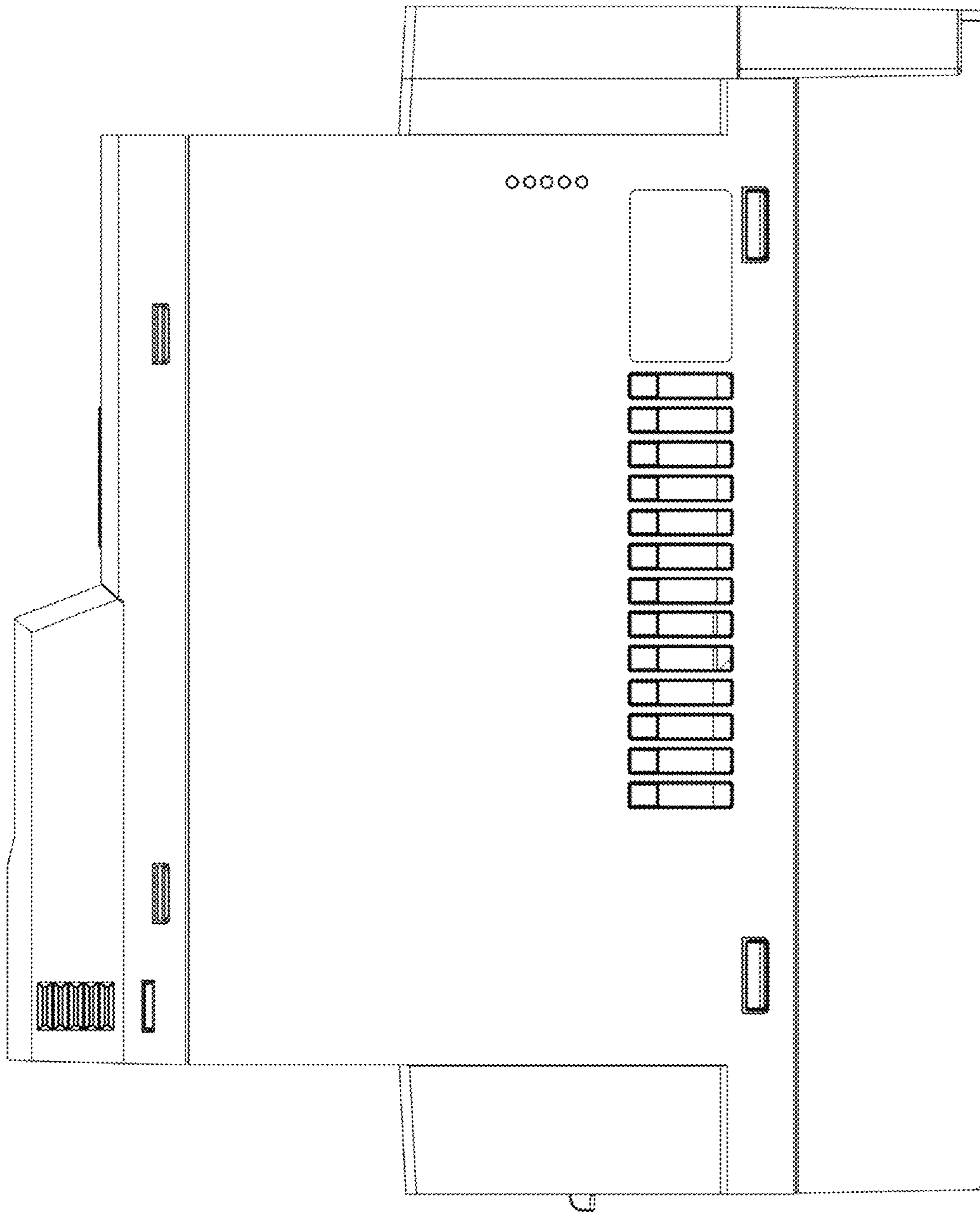


FIG. 12

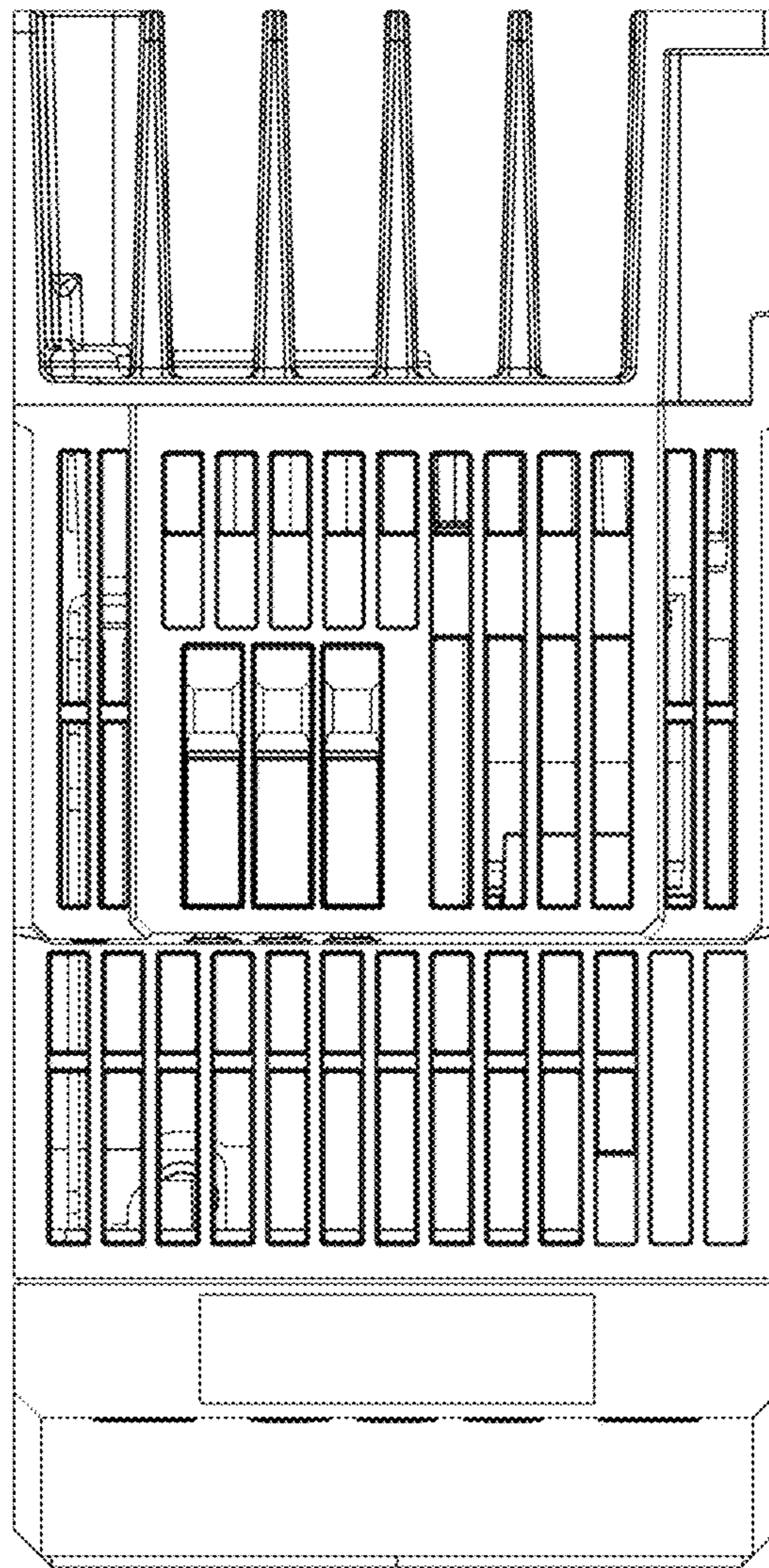


FIG. 13

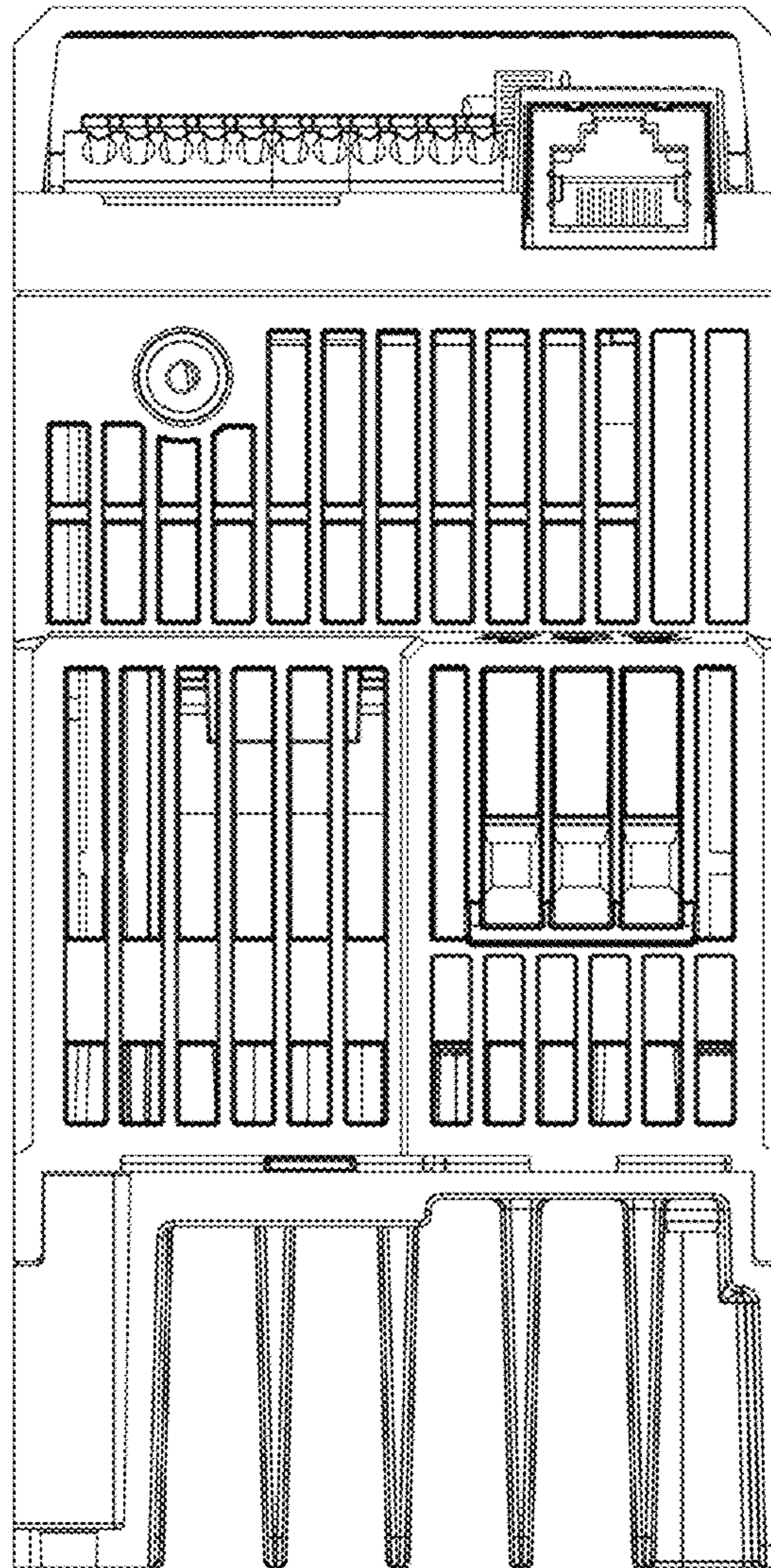


FIG. 14

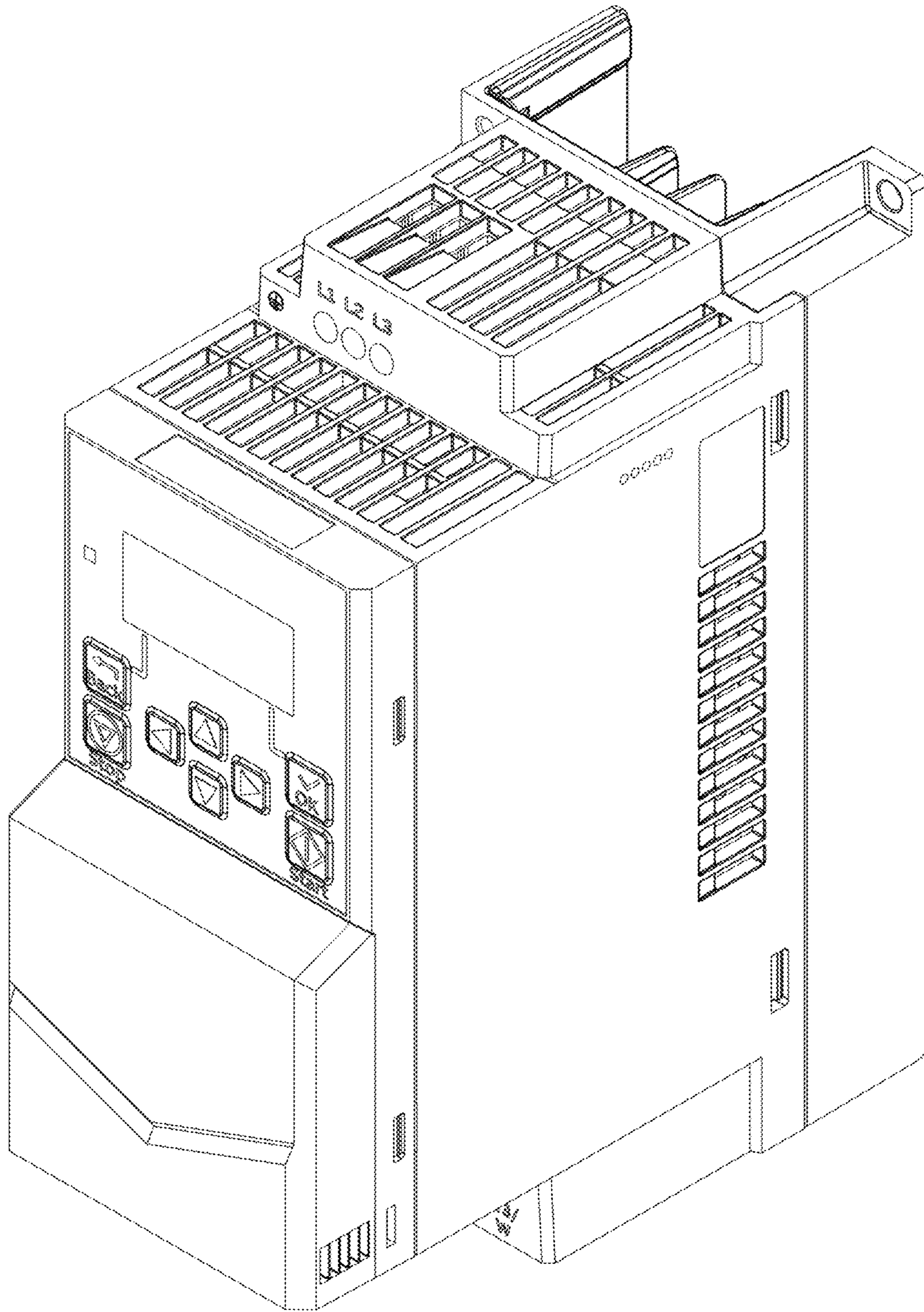


FIG. 15

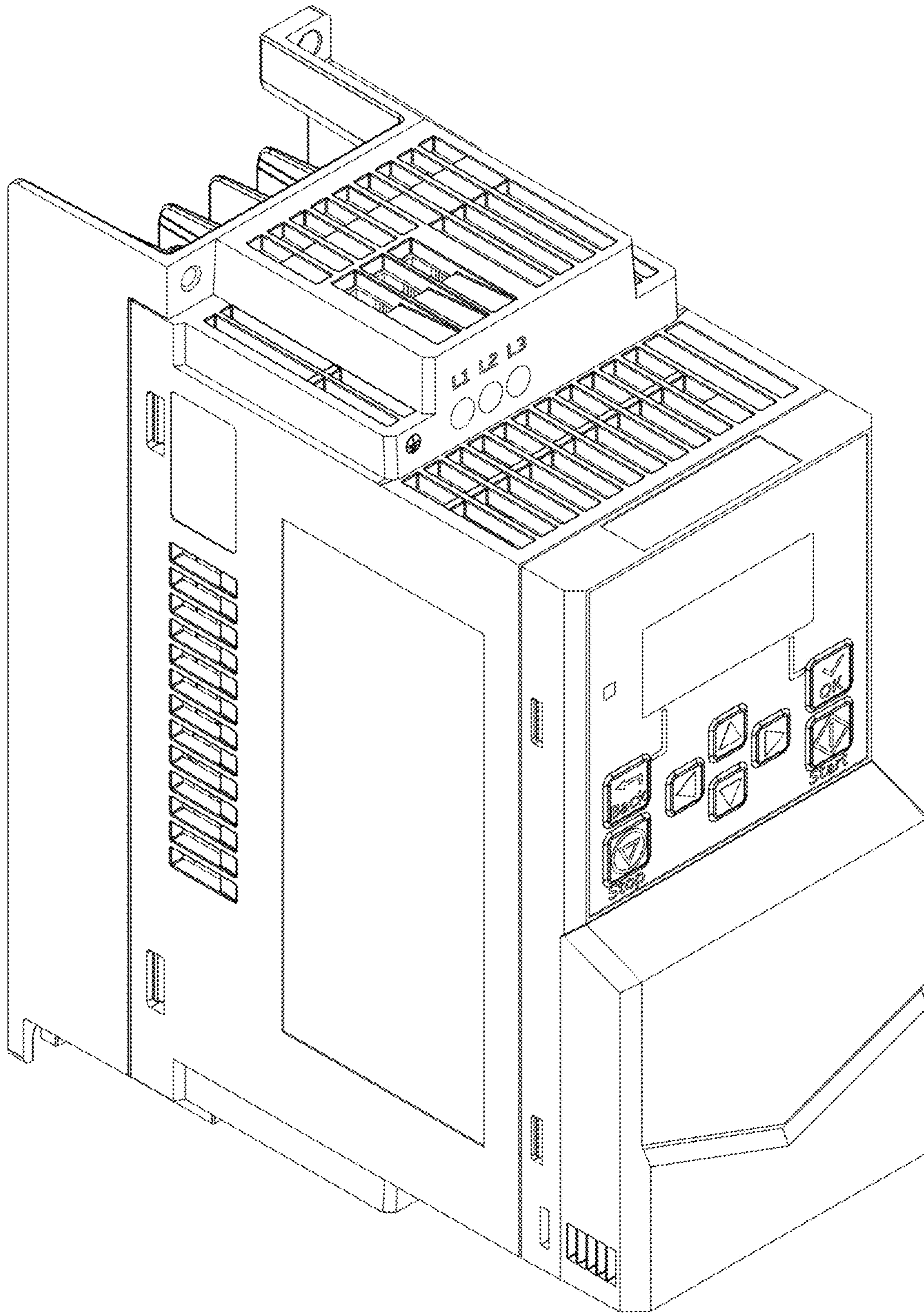


FIG. 16

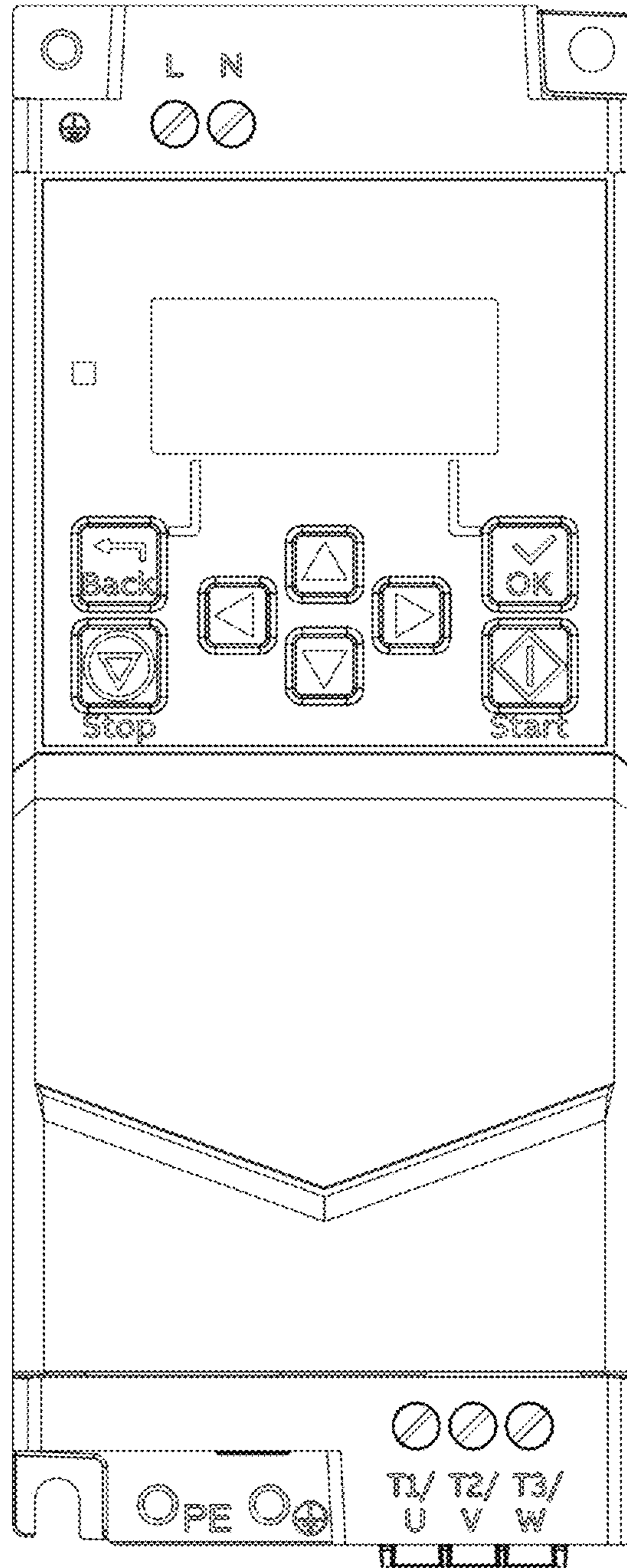


FIG. 17

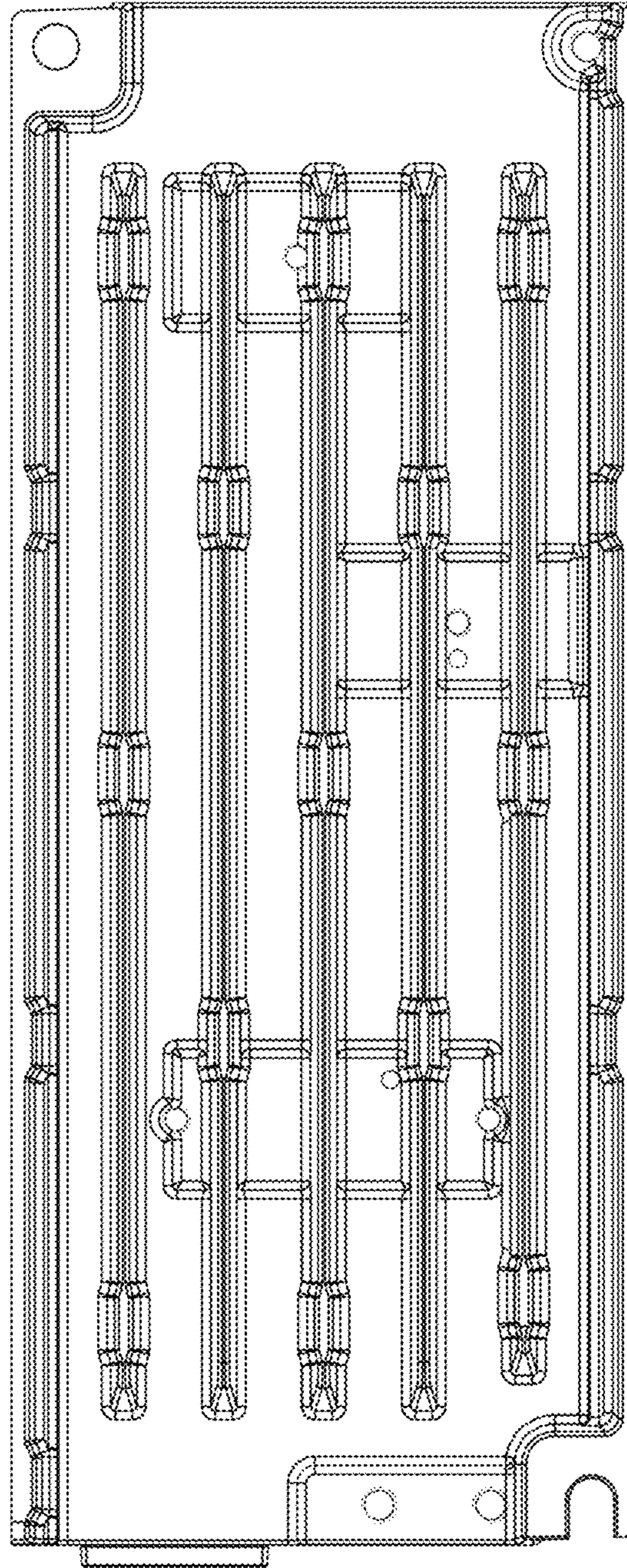


FIG. 18

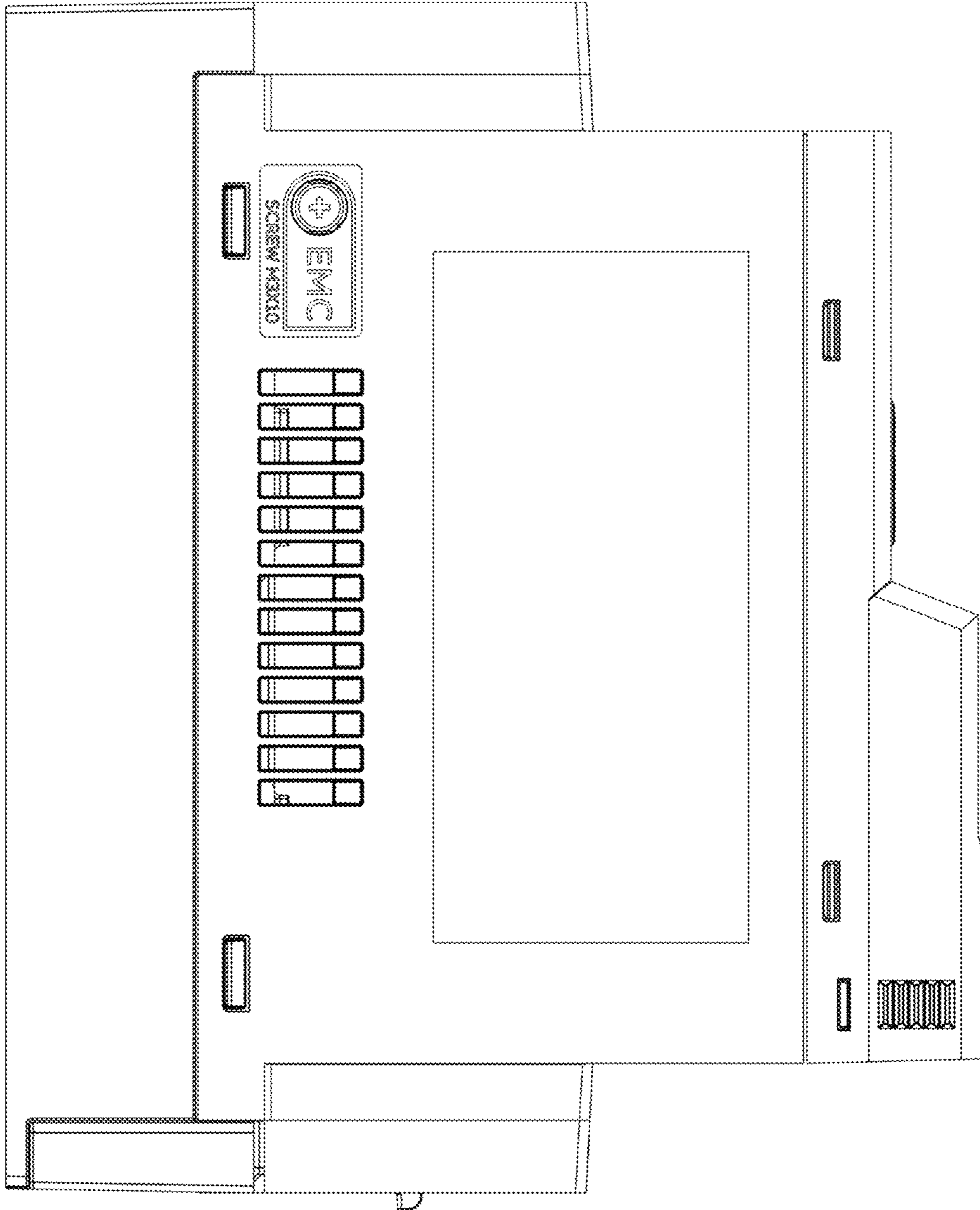


FIG. 19

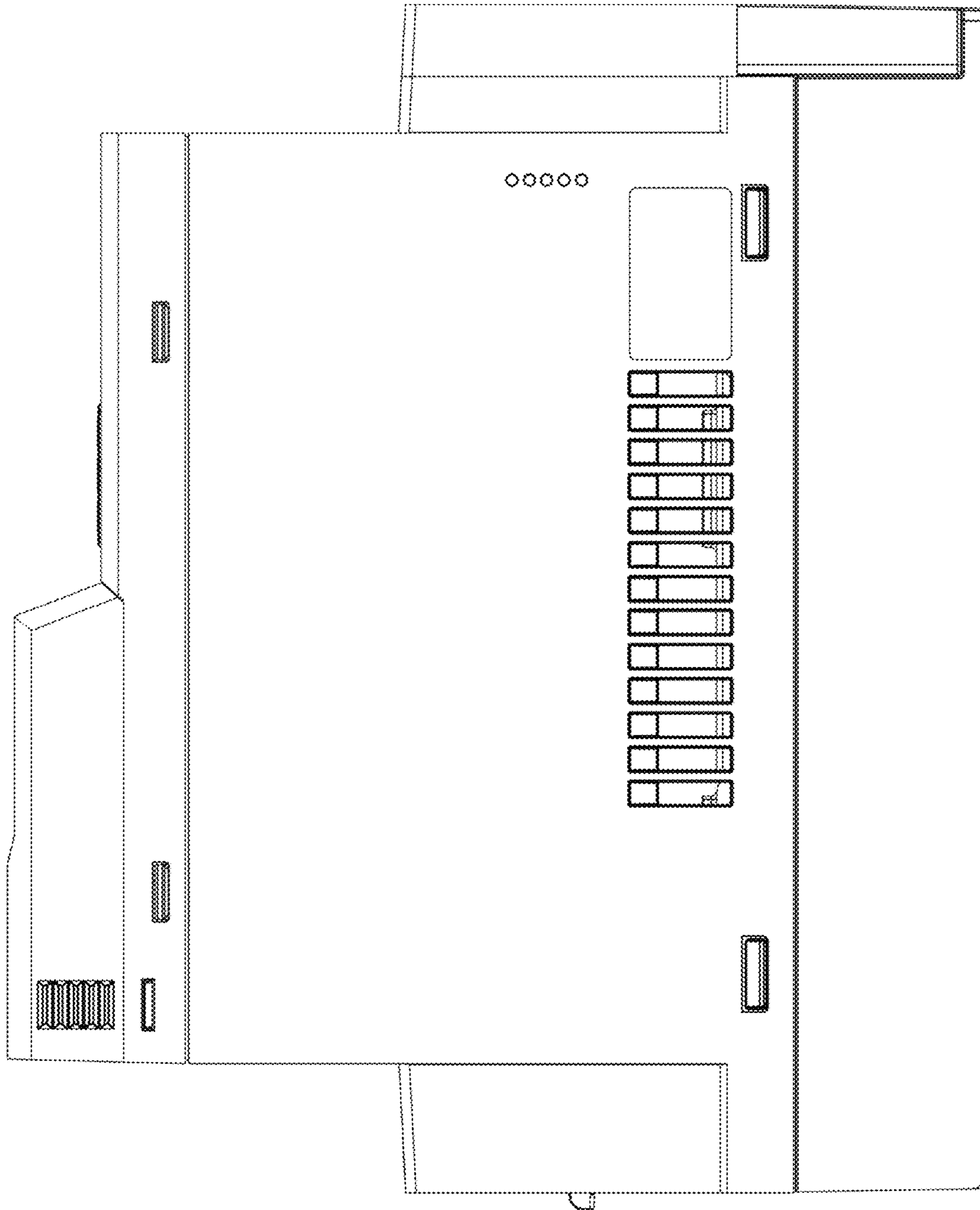


FIG. 20

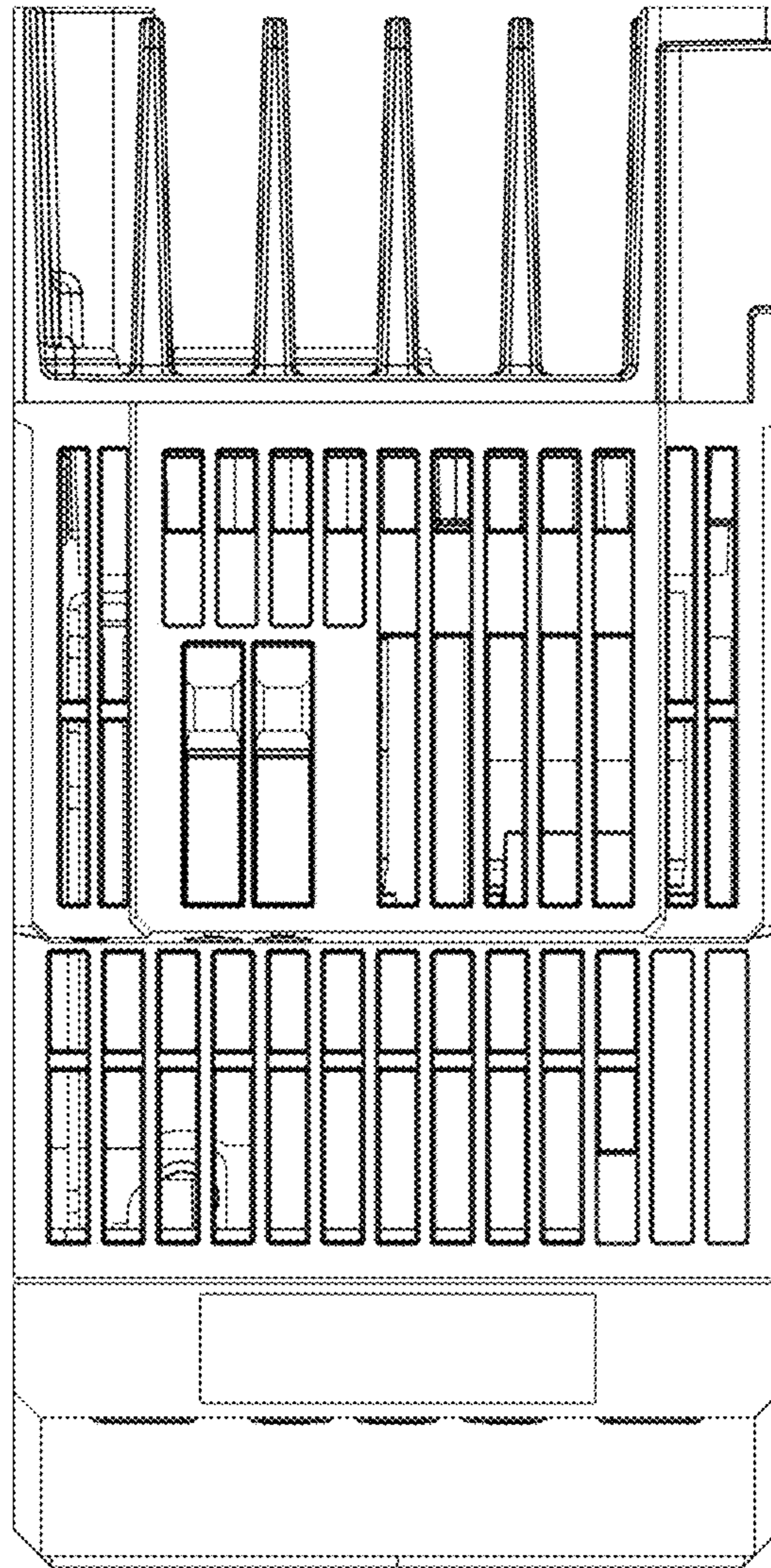


FIG. 21

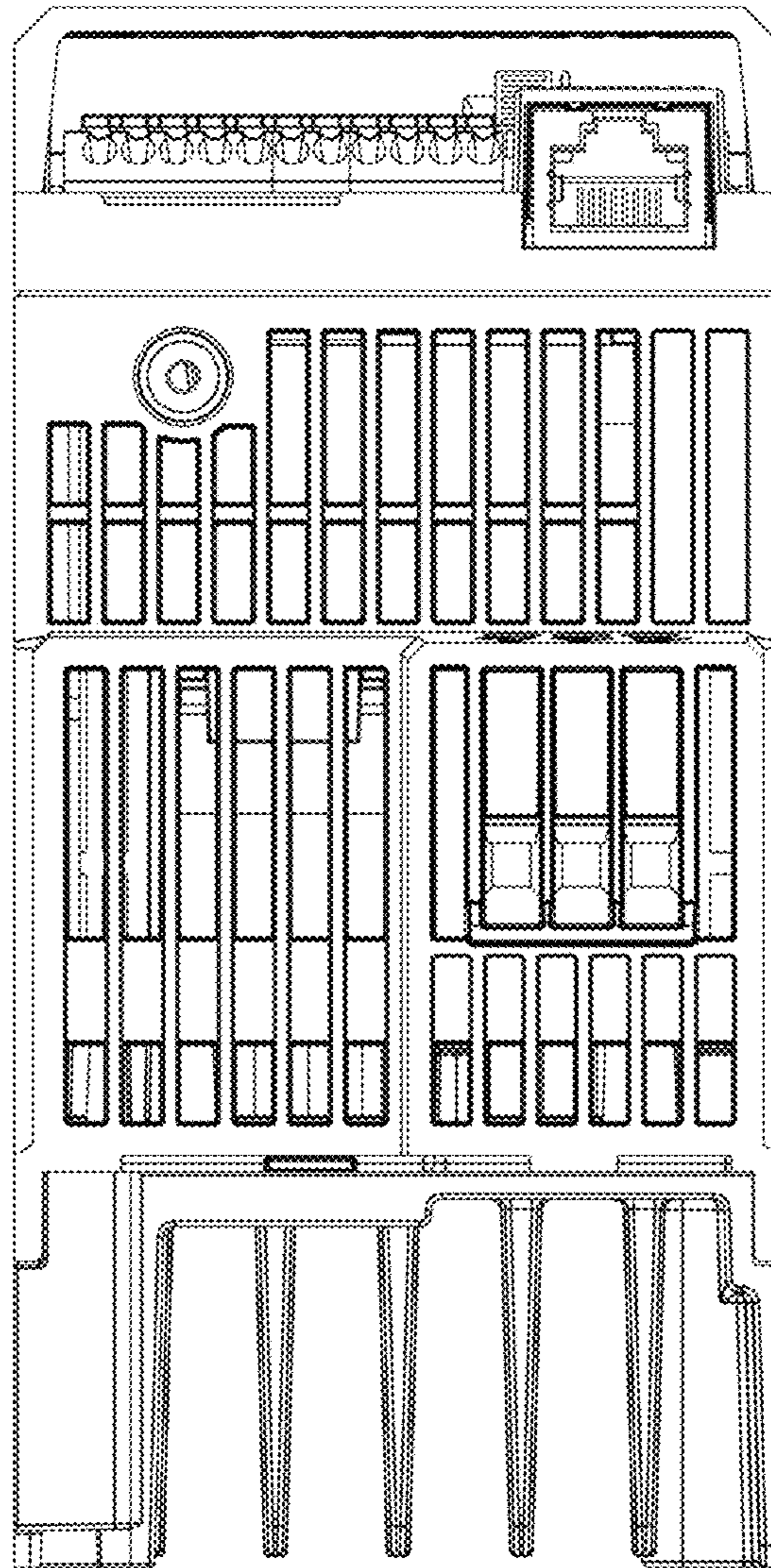


FIG. 22

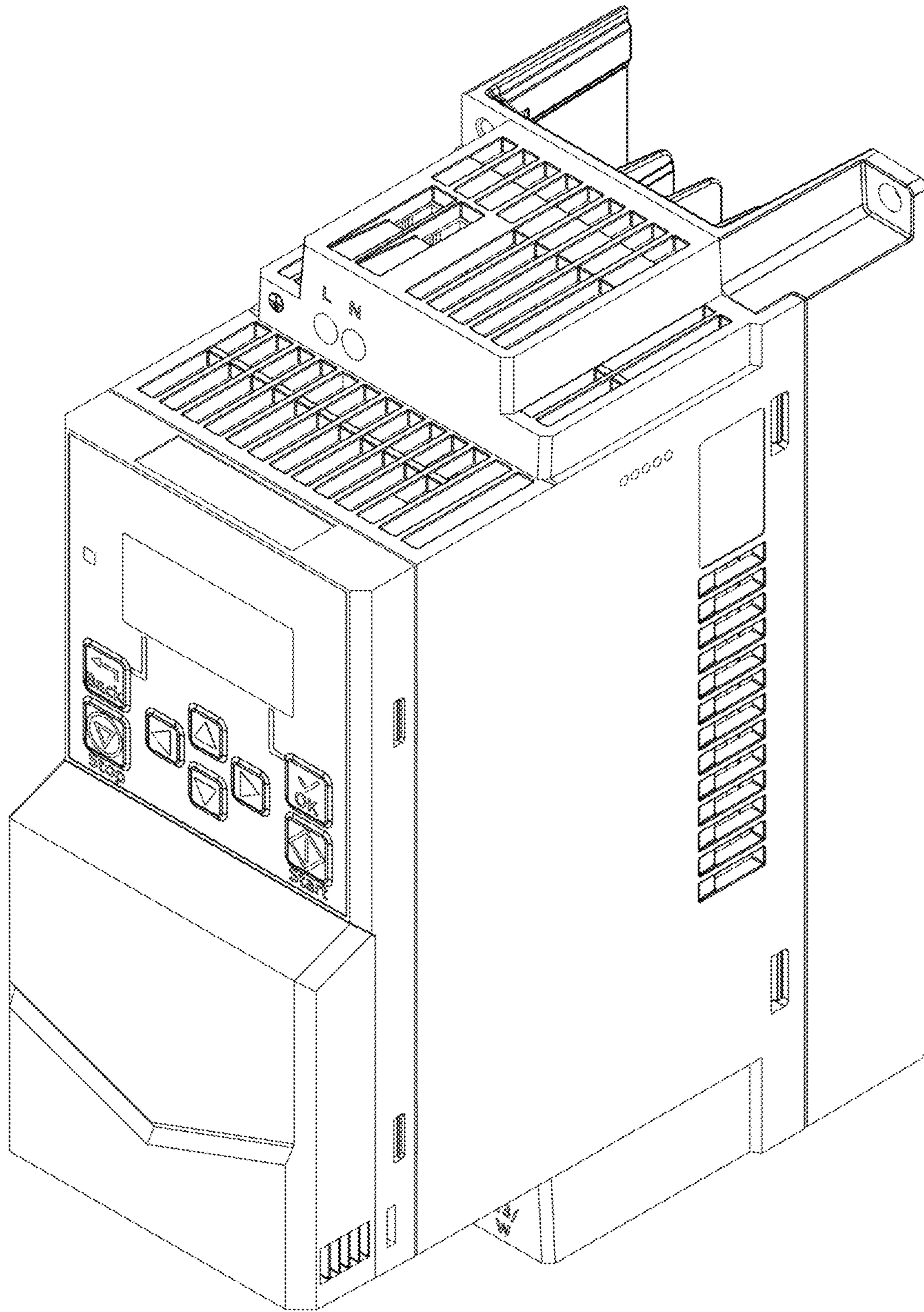


FIG. 23

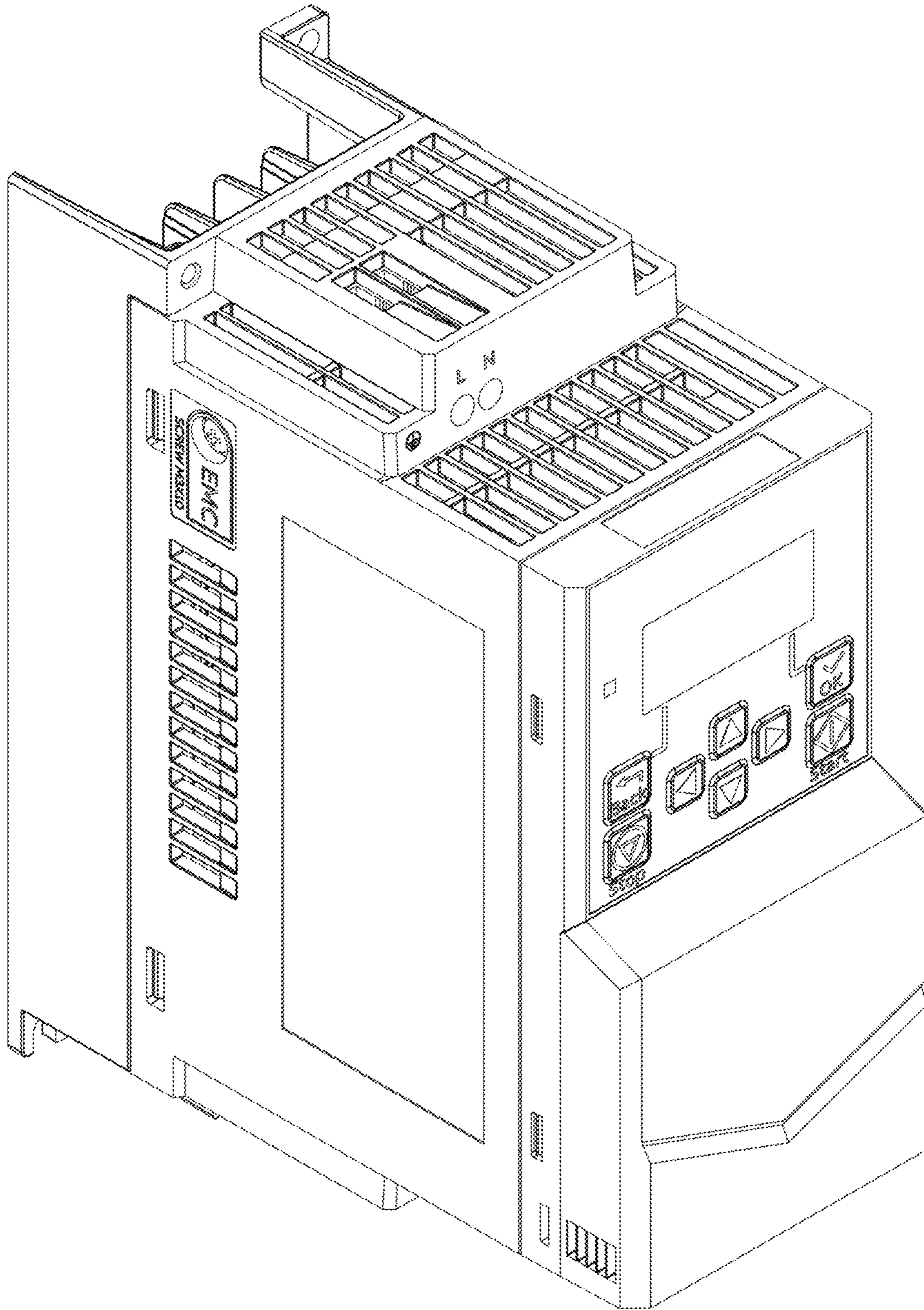


FIG. 24

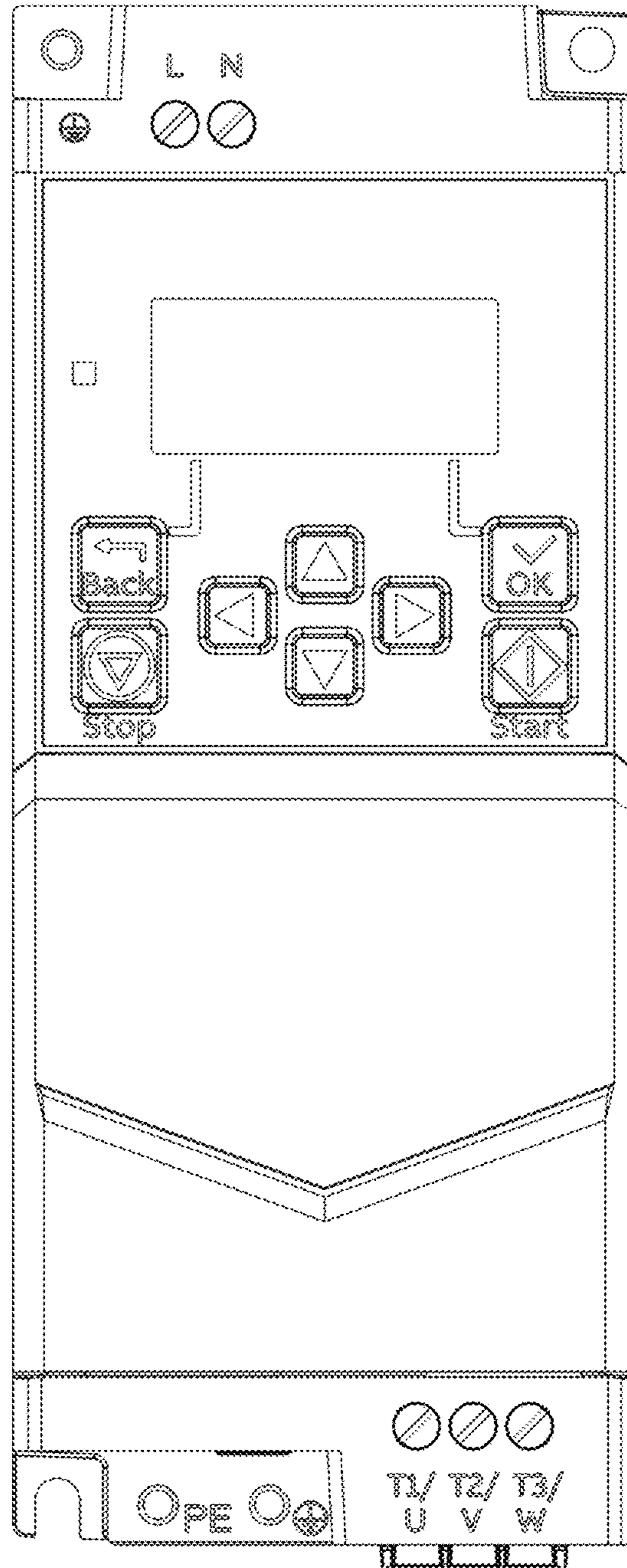


FIG. 25

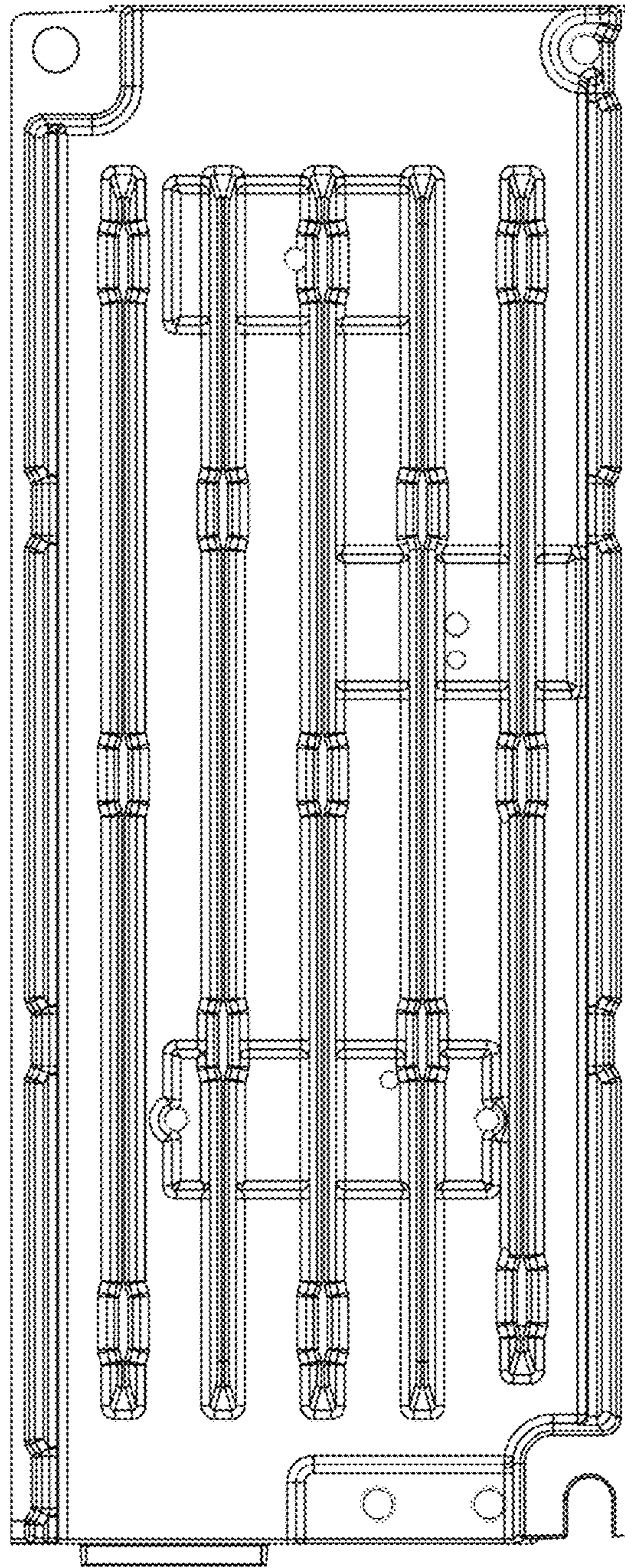


FIG. 26

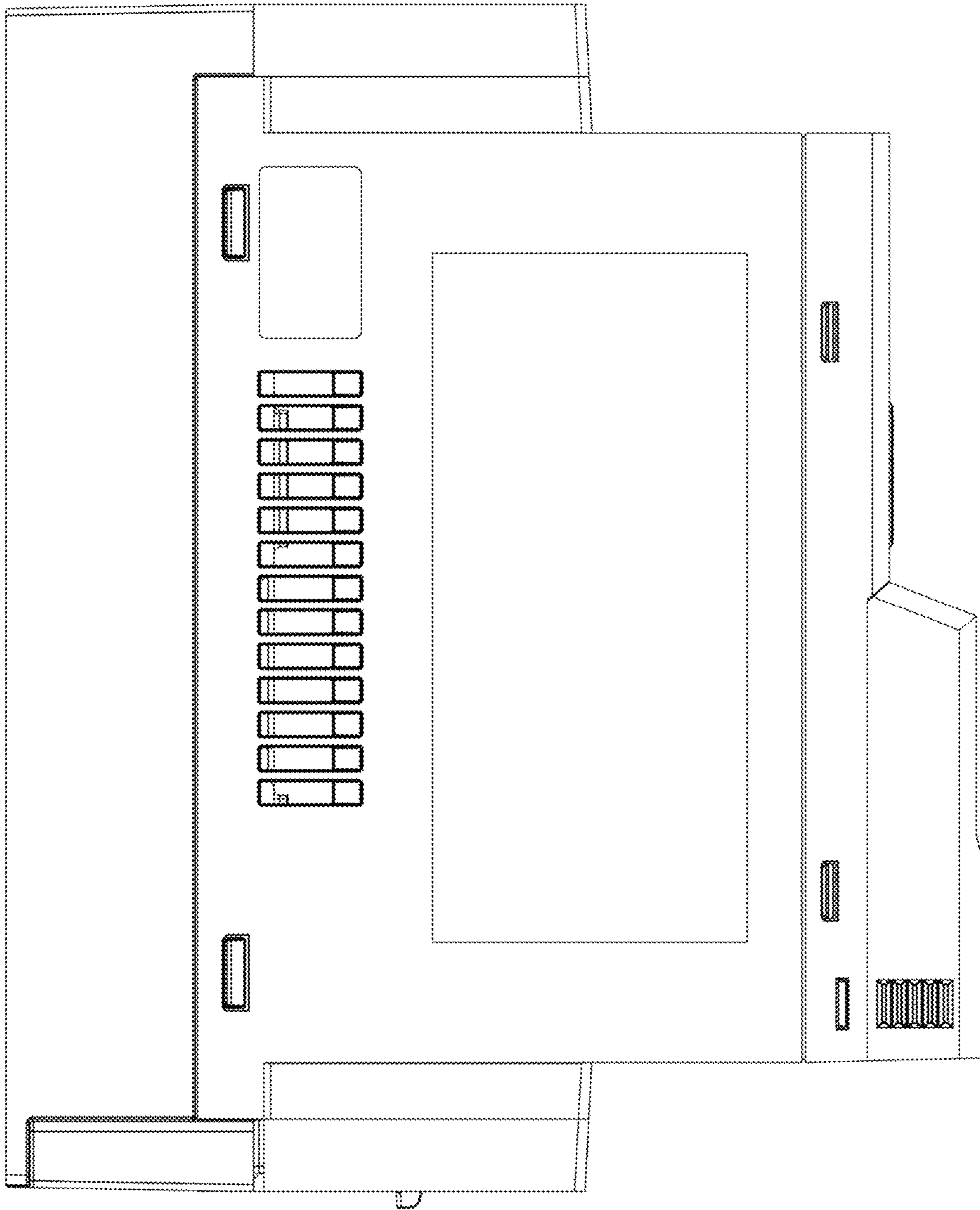


FIG. 27

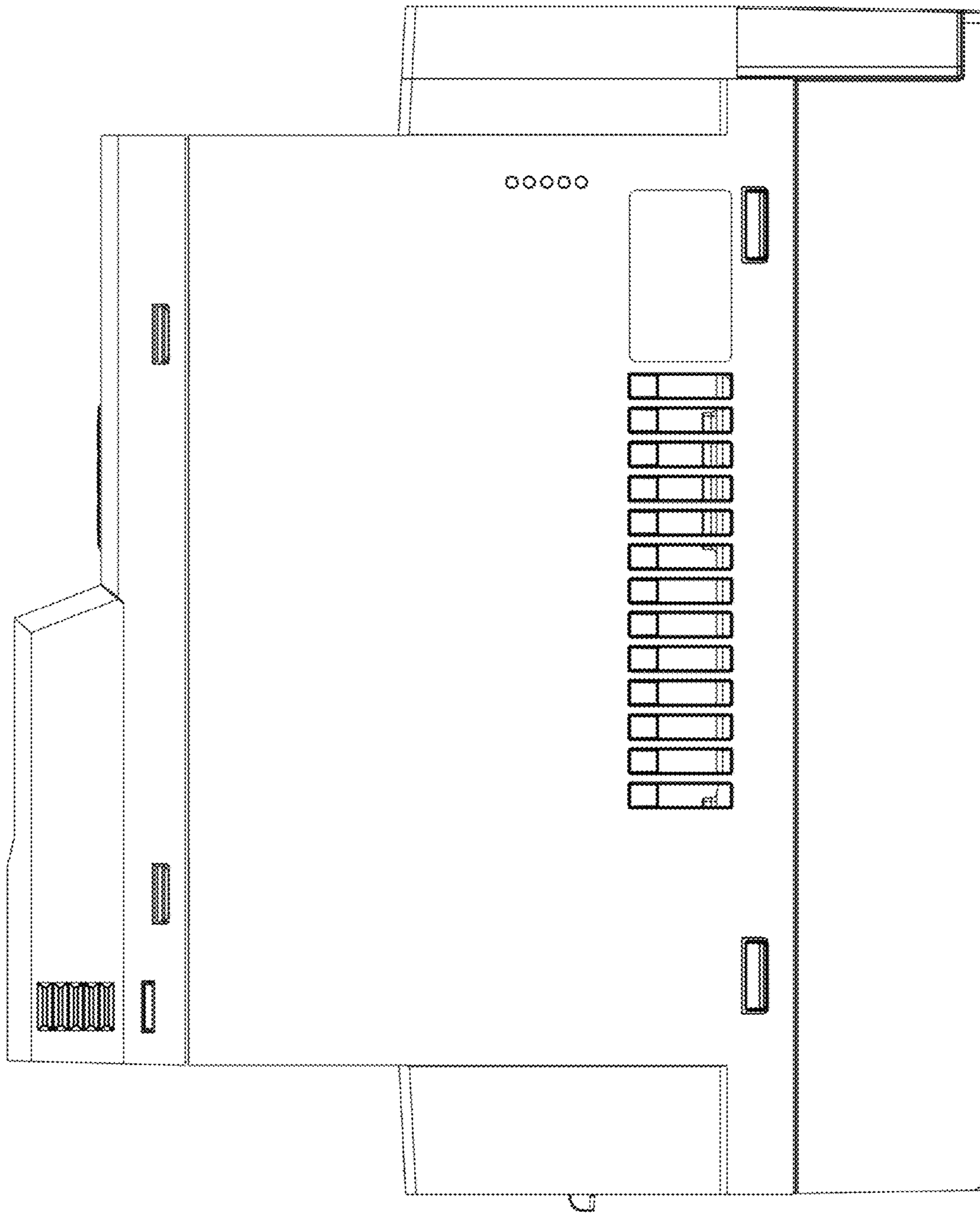


FIG. 28

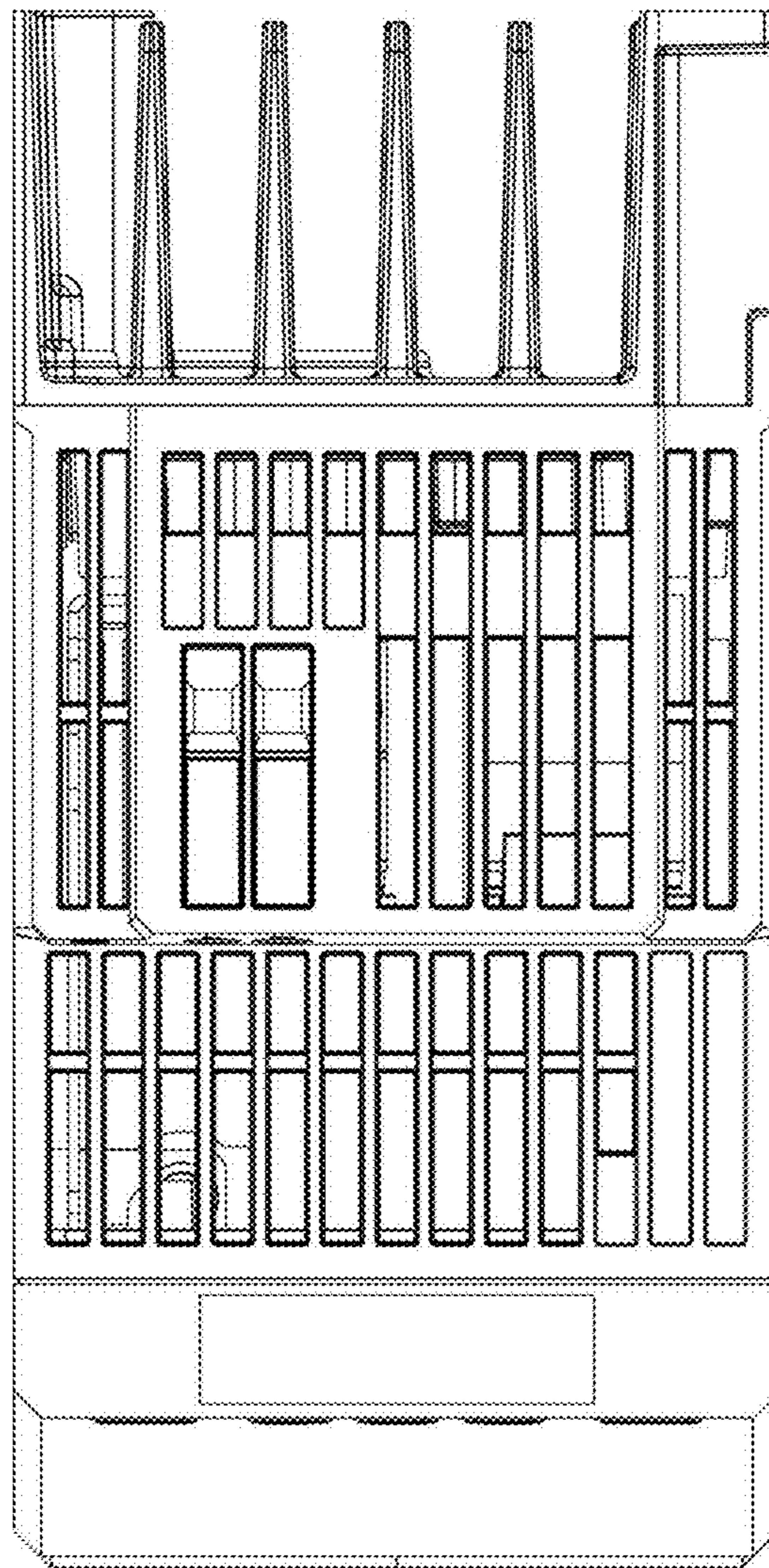


FIG. 29

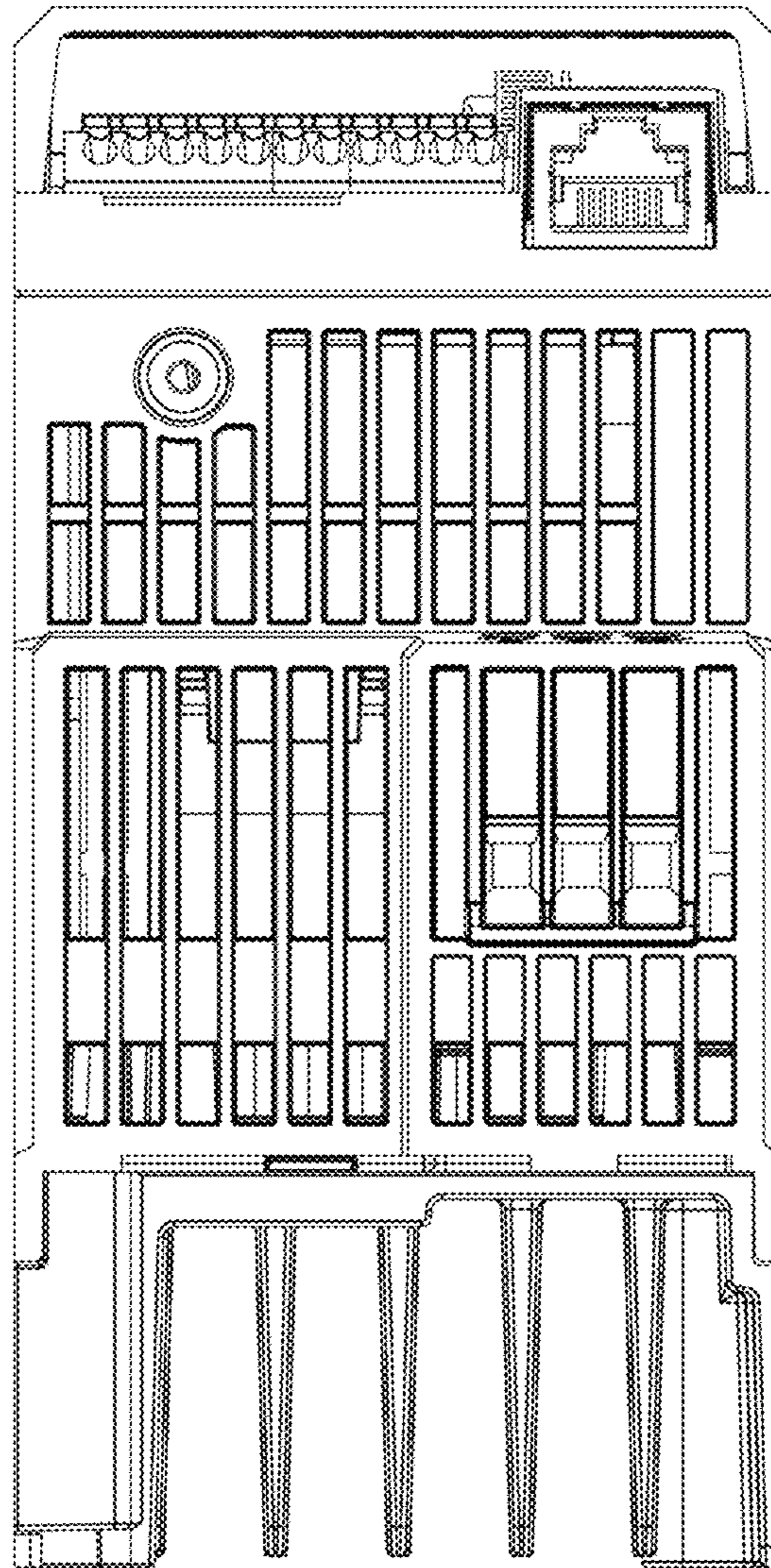


FIG. 30

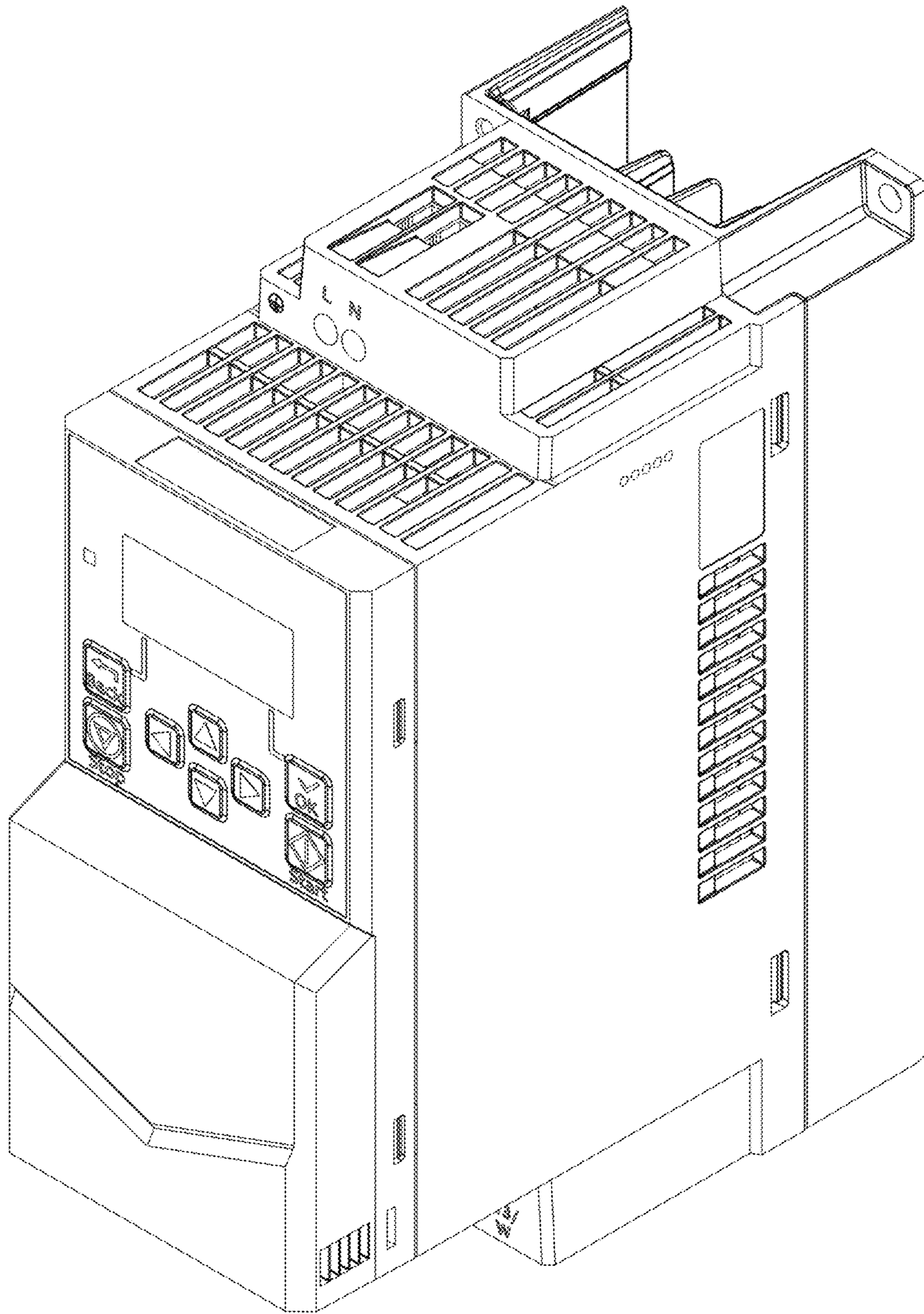


FIG. 31

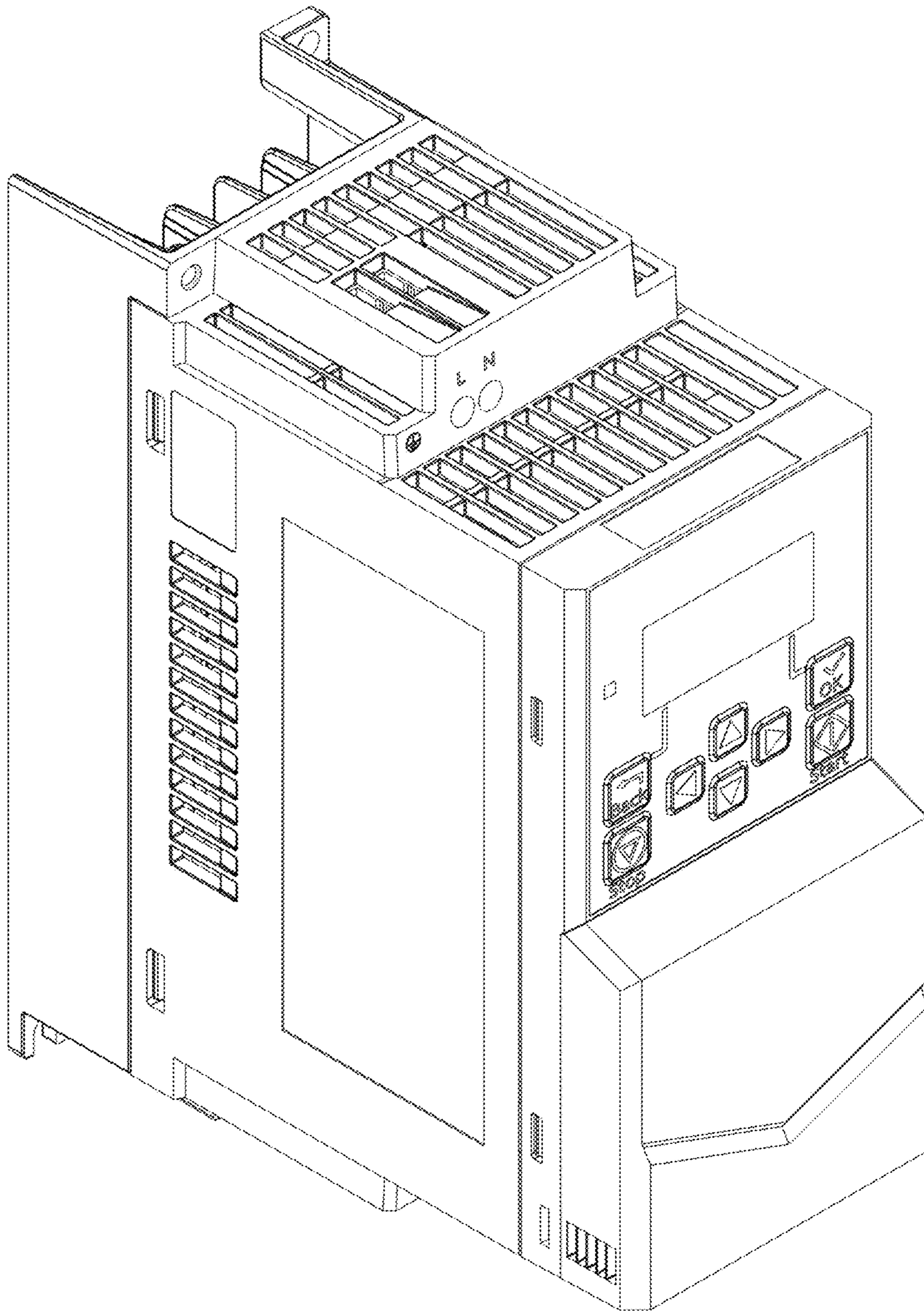


FIG. 32