



US00D951185S

(12) **United States Design Patent**
Harley et al.

(10) **Patent No.:** **US D951,185 S**

(45) **Date of Patent:** **** May 10, 2022**

(54) **POWER MODULE**

(71) Applicant: **ARRIS Enterprises LLC**, Suwanee, GA (US)

(72) Inventors: **Paul Joseph Harley**, West Yorkshire (GB); **Chien-Cheng Huang**, Poway, CA (US); **Xue-Hong Wu**, New Taipei (TW); **John Hausman**, San Diego (CA); **Lars Kristoffer Roberg**, Linkoping (SE)

(73) Assignee: **ARRIS ENTERPRISES LLC**, Suwanee, GA (US)

(**) Term: **15 Years**

(21) Appl. No.: **29/630,216**

(22) Filed: **Dec. 20, 2017**

(51) **LOC (13) Cl.** **13-02**

(52) **U.S. Cl.**
USPC **D13/110**

(58) **Field of Classification Search**
USPC D13/107, 108, 110, 123, 133, D13/137.1–137.4, 138.1–138.2, D13/139.1–139.8, 152, 154, 184, 147, D13/199, 146, 151, 153, 155, 156, 164, D13/182; D8/350, 353–356
CPC H01R 11/00; H01R 9/00; H01R 13/00; H01R 13/04; H01R 13/10; H01R 13/6666; H01R 13/6675; H01R 13/46; H01R 25/00; H01R 25/006; H01R 24/28; H01H 2207/00; H01H 2207/022; H01B 7/2806

See application file for complete search history.

(56) **References Cited**

U.S. PATENT DOCUMENTS

D278,624 S * 4/1985 Stone D13/146
D497,349 S * 10/2004 Hoshiba D13/180

D552,034 S * 10/2007 Hobson D13/133
D671,075 S * 11/2012 Yang D13/147
D689,433 S * 9/2013 Wang D13/110
D693,306 S * 11/2013 Chuang D13/139.1
D712,824 S * 9/2014 Pauschitz D13/102
D861,611 S * 10/2019 Wang D13/133
D876,365 S * 2/2020 Payne D13/147
D883,241 S * 5/2020 Beckedahl D13/182
D886,061 S * 6/2020 Wang D13/133
D888,657 S * 6/2020 Helnerus D13/107
D892,754 S * 8/2020 Beckedahl D13/182
D903,590 S * 12/2020 McPherson D13/110

(Continued)

Primary Examiner — Christy Nemeth

(74) *Attorney, Agent, or Firm* — Wenderoth, Lind & Ponack, L.L.P.

(57) **CLAIM**

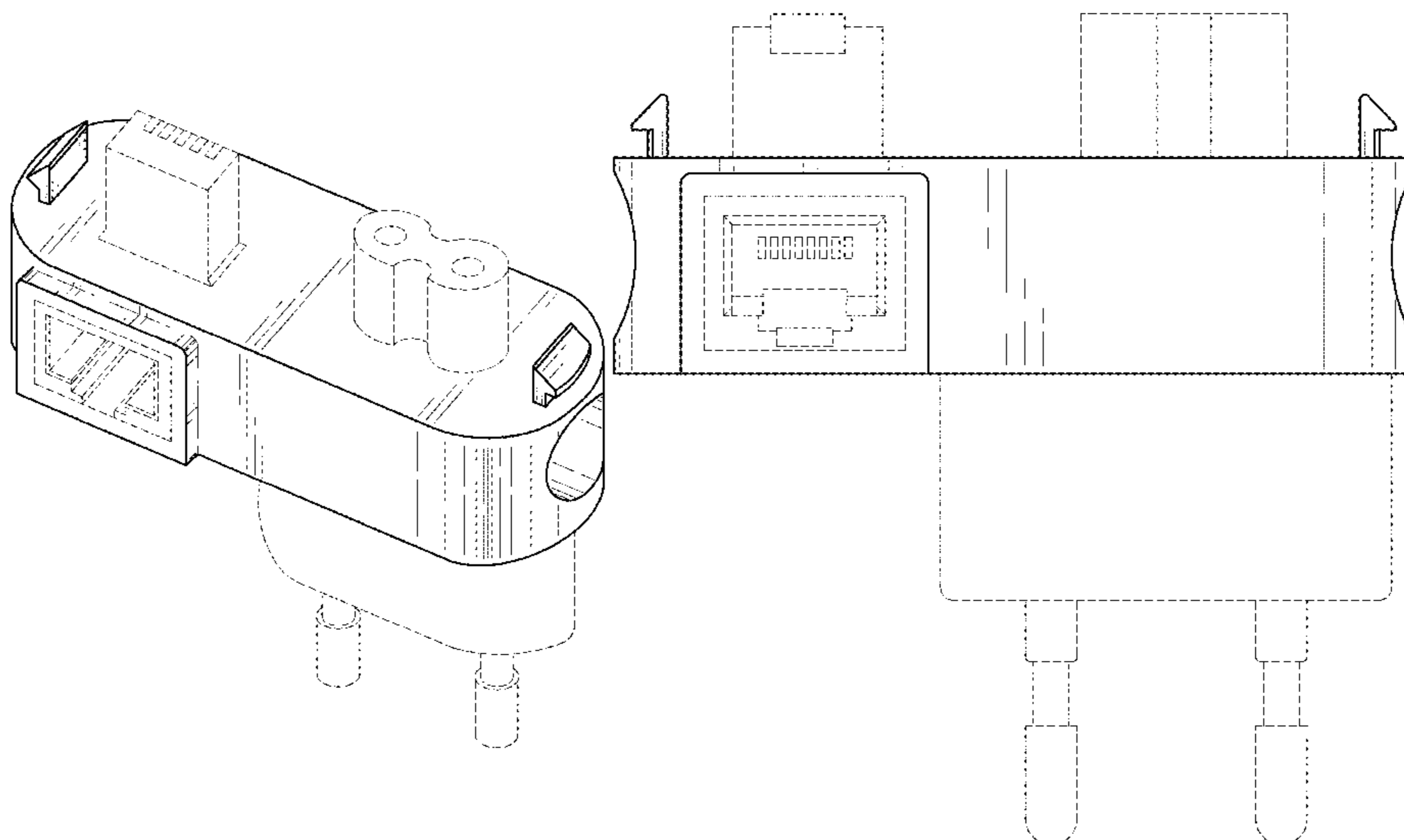
The ornamental design for a power module, as shown and described.

DESCRIPTION

FIG. 1 is a top, front perspective view of a power module according to a first embodiment;
FIG. 2 is a bottom view thereof;
FIG. 3 is a rear elevation view thereof;
FIG. 4 is a left side elevation view thereof;
FIG. 5 is a right side elevation view thereof;
FIG. 6 is a front elevation view thereof;
FIG. 7 is a top view thereof;
FIG. 8 is a top, front perspective view of the power module according to a second embodiment;
FIG. 9 is a bottom view thereof;
FIG. 10 is a rear elevation view thereof;
FIG. 11 is a left side elevation view thereof;
FIG. 12 is a right side elevation view thereof;
FIG. 13 is a front elevation view thereof; and,
FIG. 14 is a top view thereof.

The broken lines in the drawings are for the purpose of illustrating portions of the power module that form no part of the claimed design.

1 Claim, 14 Drawing Sheets



(56)

References Cited

U.S. PATENT DOCUMENTS

D908,632 S *	1/2021	Cole	D13/146
D915,289 S *	4/2021	Goodfellow	D13/146
D916,040 S *	4/2021	Alfredsson	D13/184
D929,353 S *	8/2021	Alfredsson	D13/184
D931,808 S *	9/2021	Magyar	D13/110

* cited by examiner

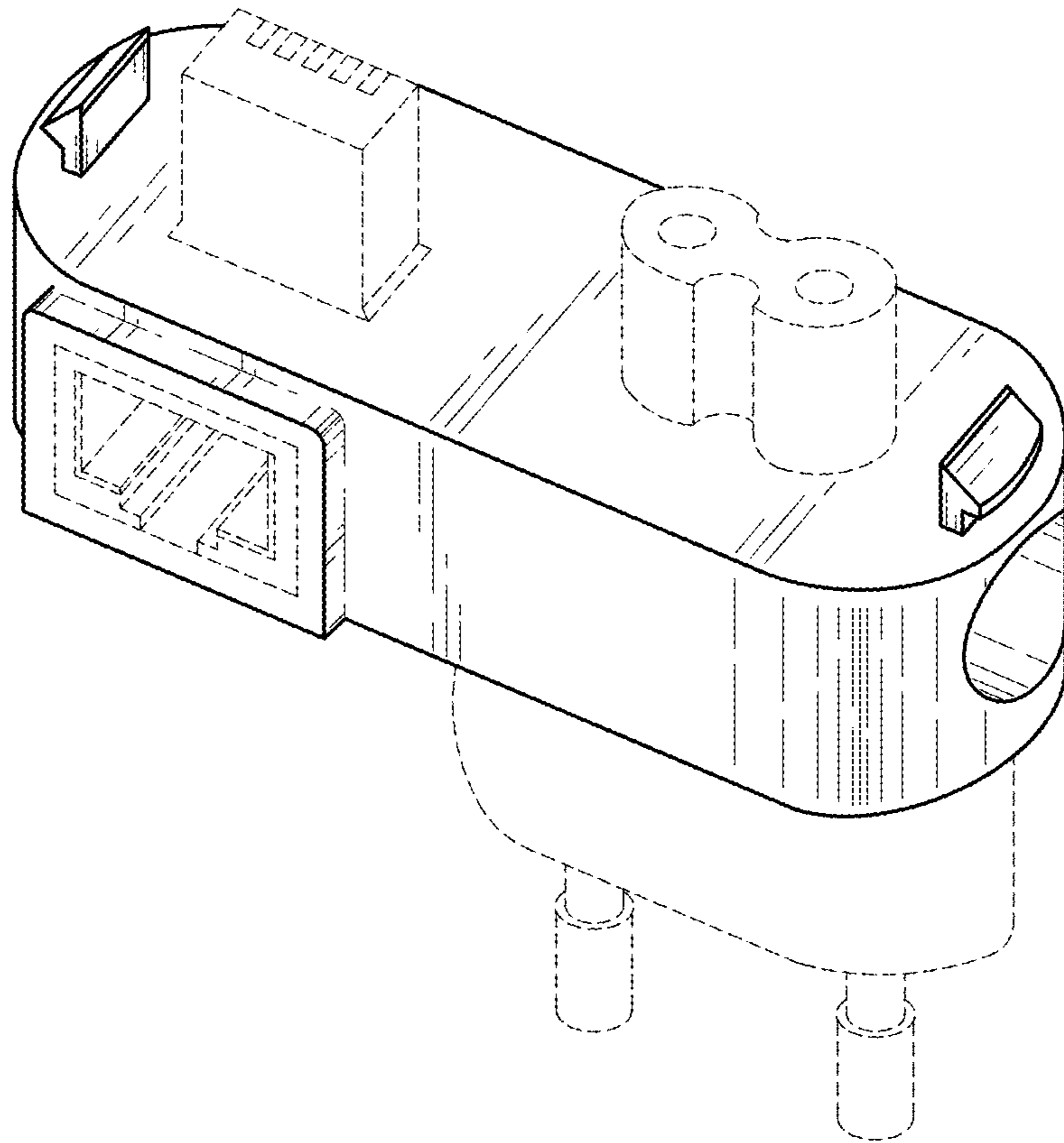


FIG. 1

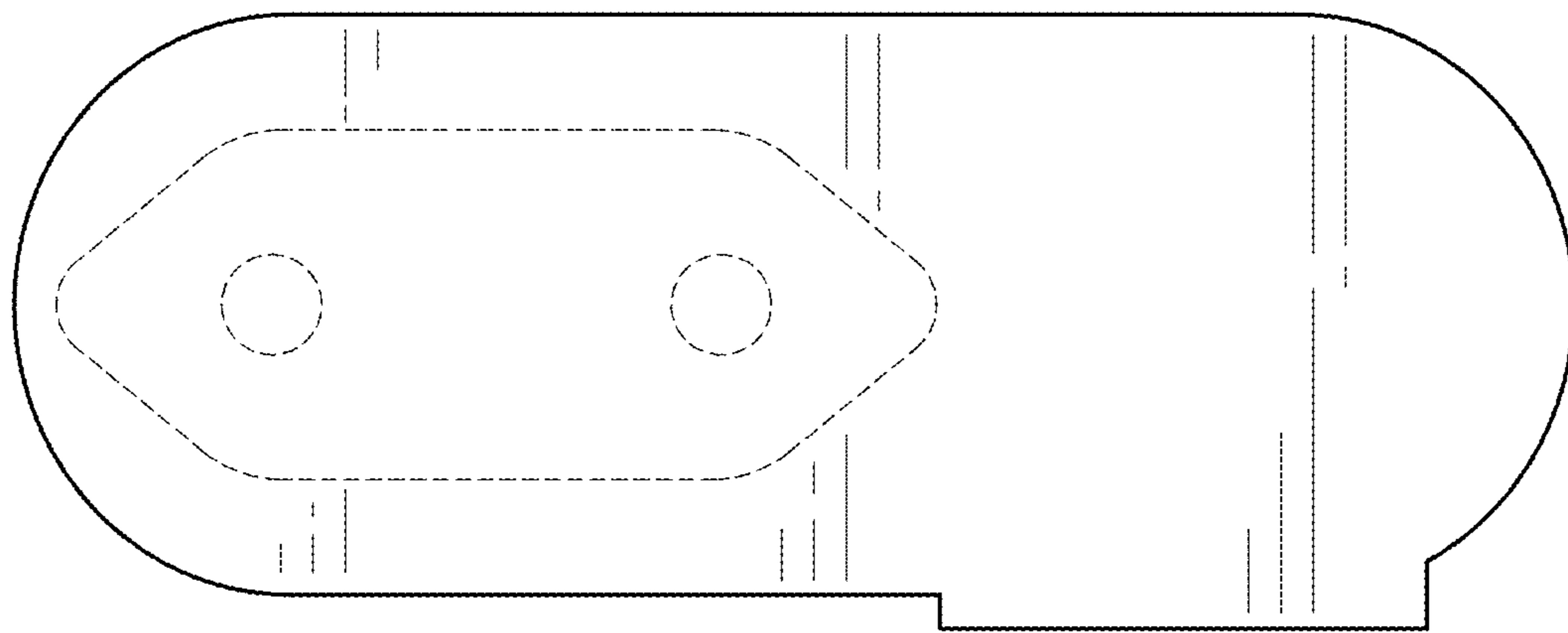


FIG. 2

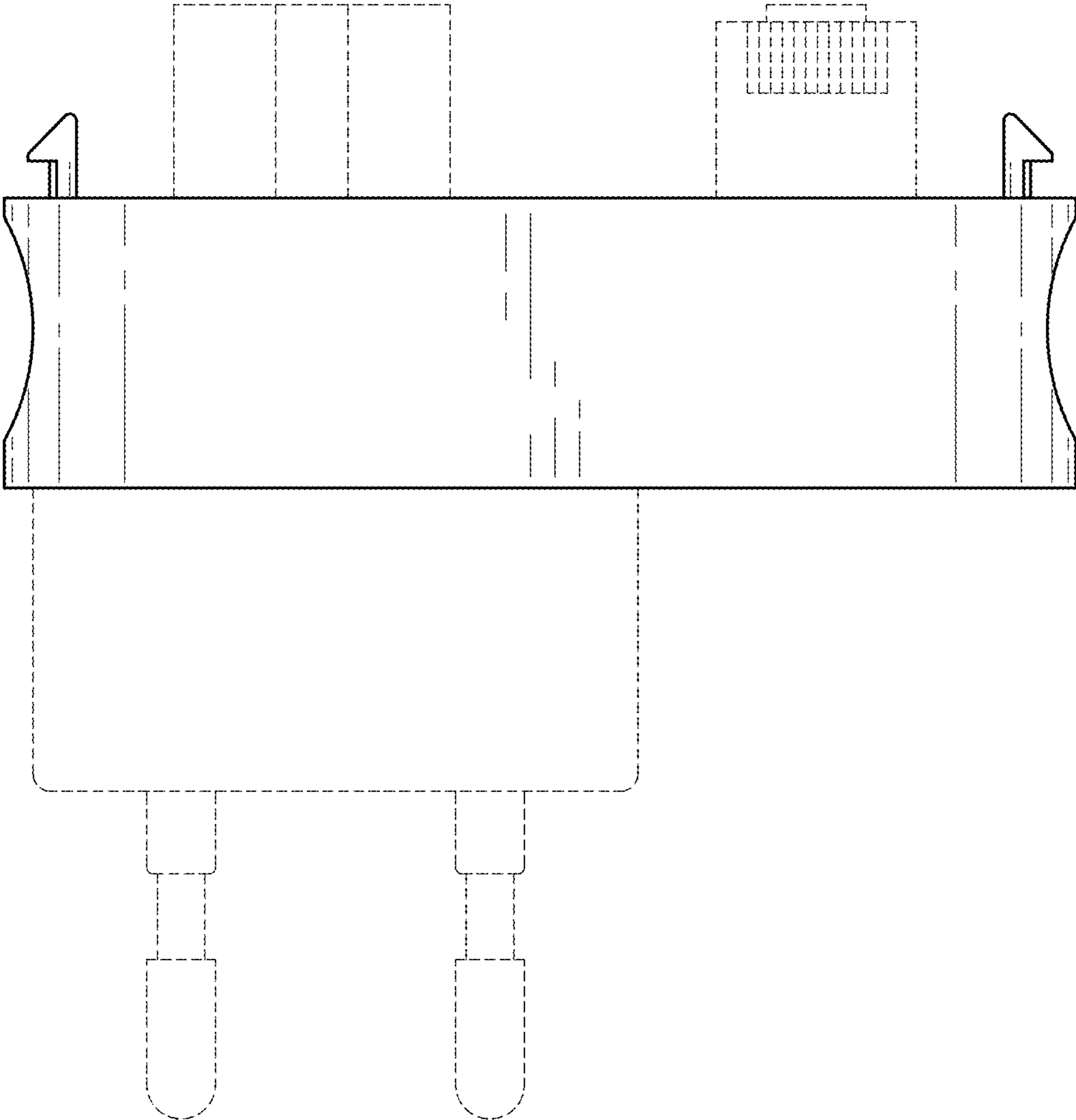


FIG. 3

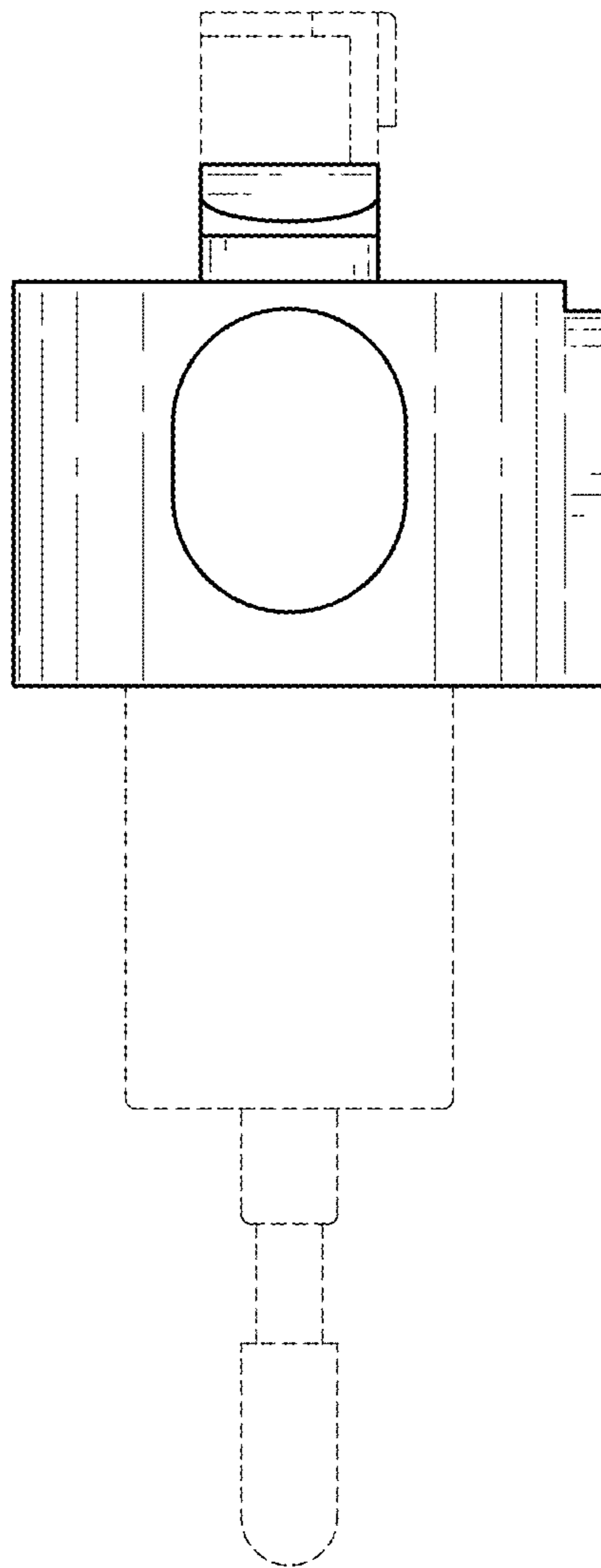


FIG. 4

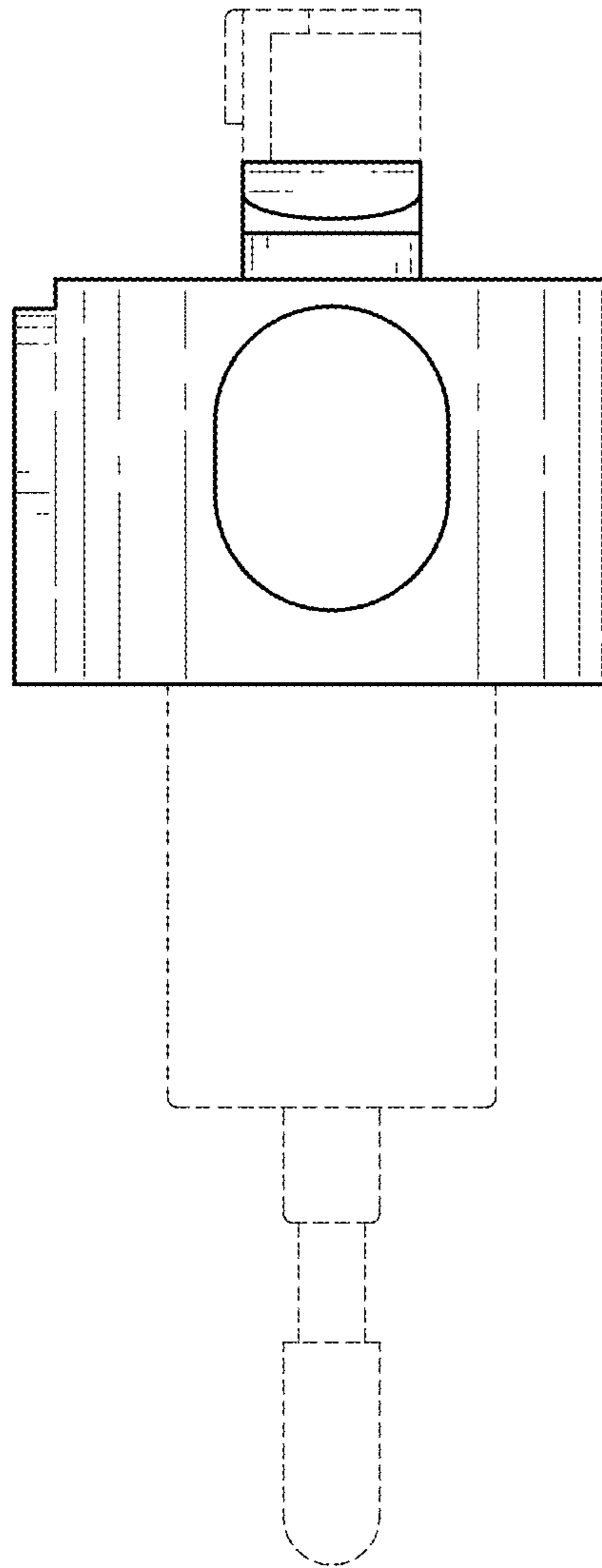


FIG. 5

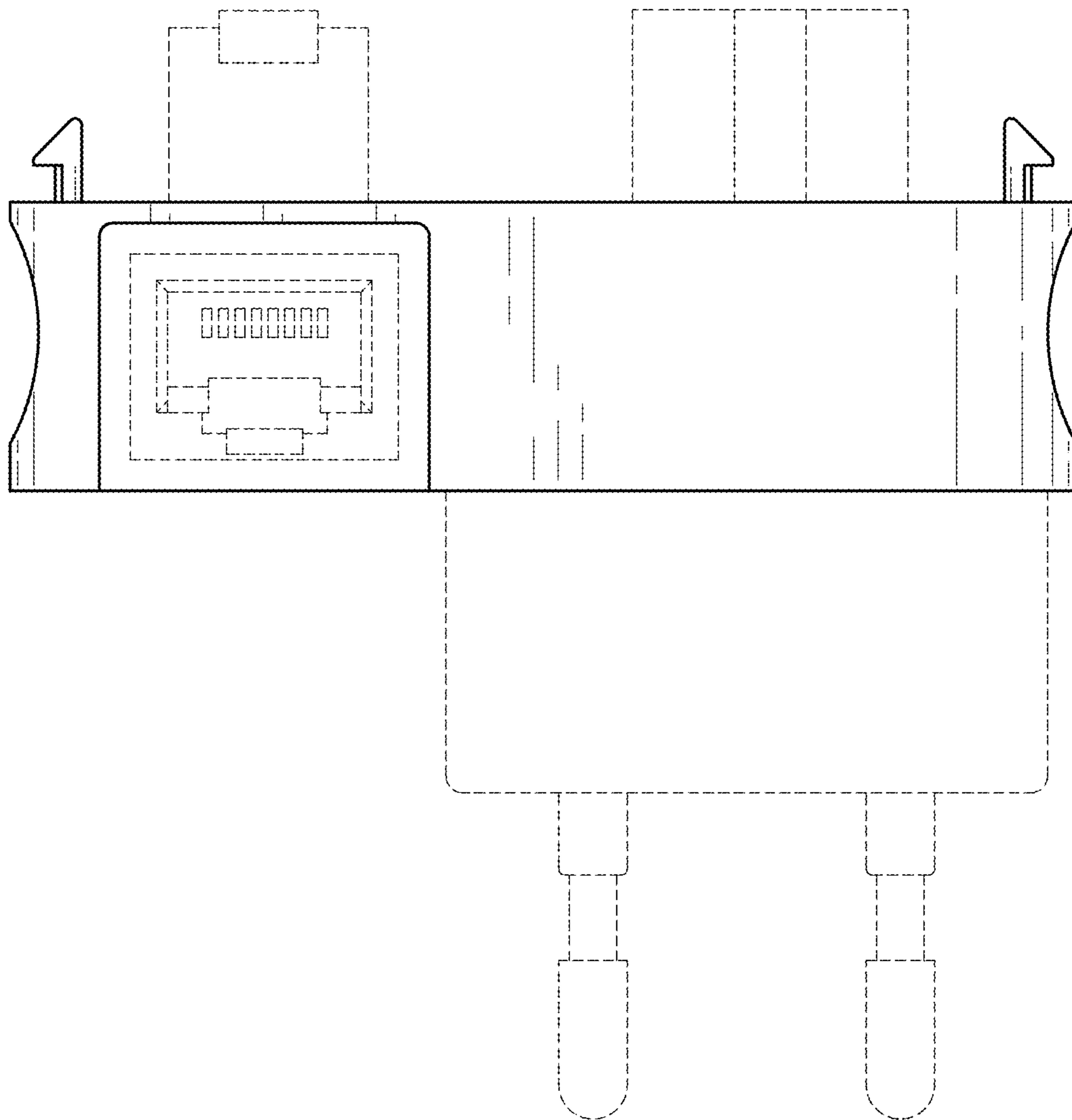


FIG. 6

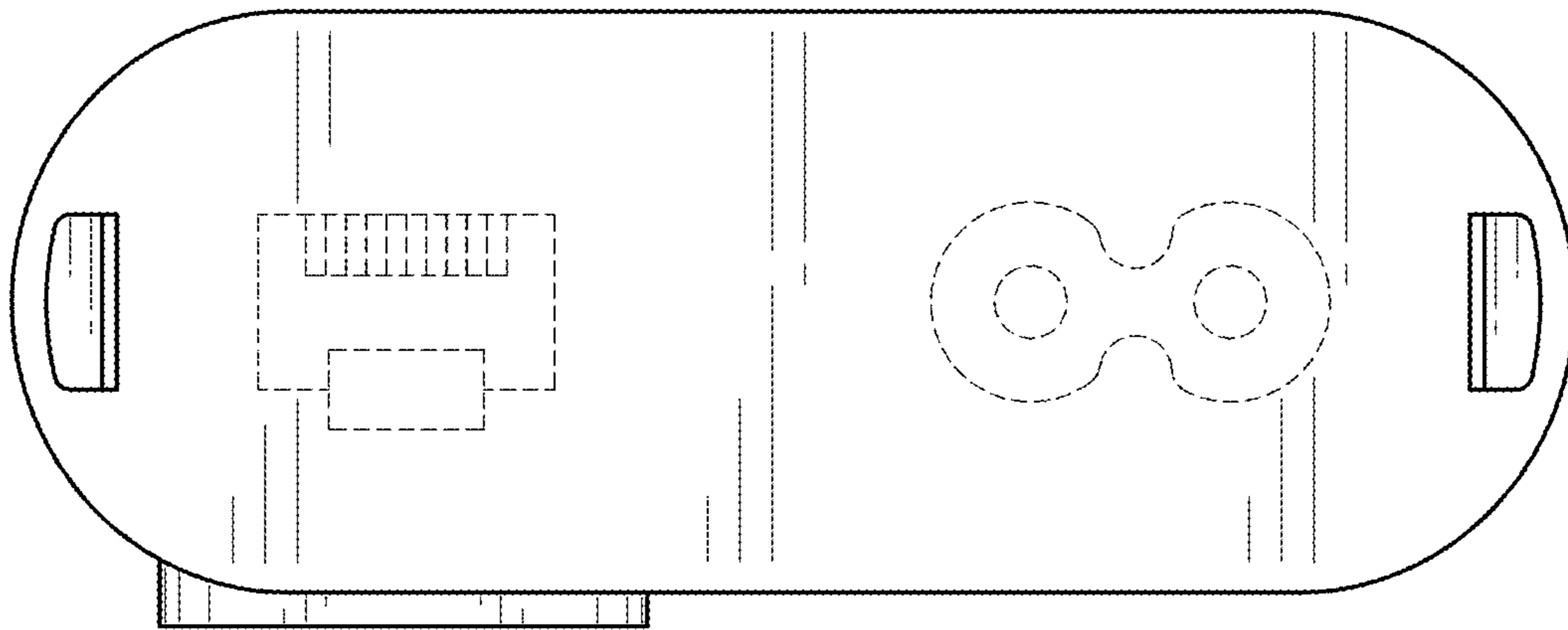


FIG. 7

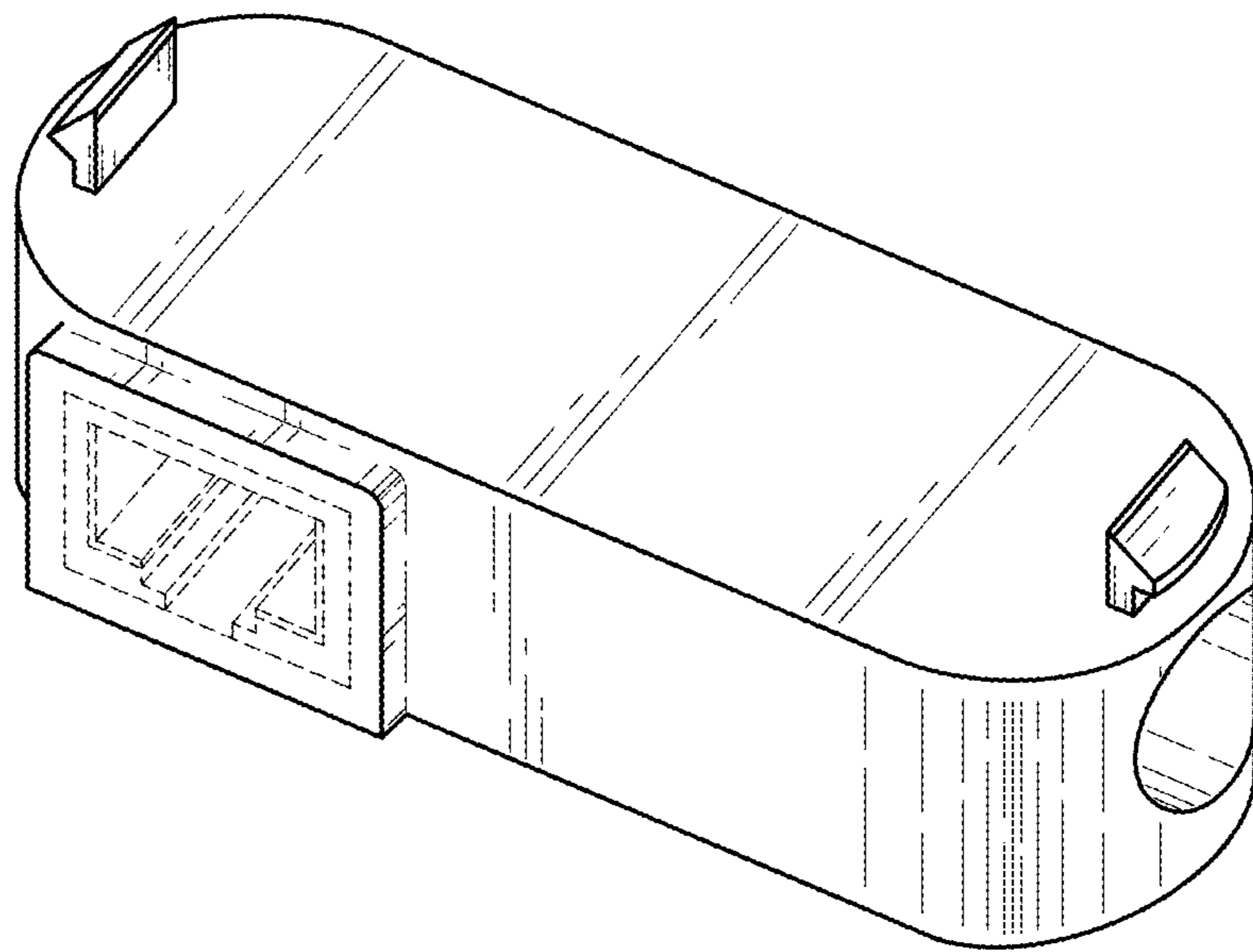


FIG. 8

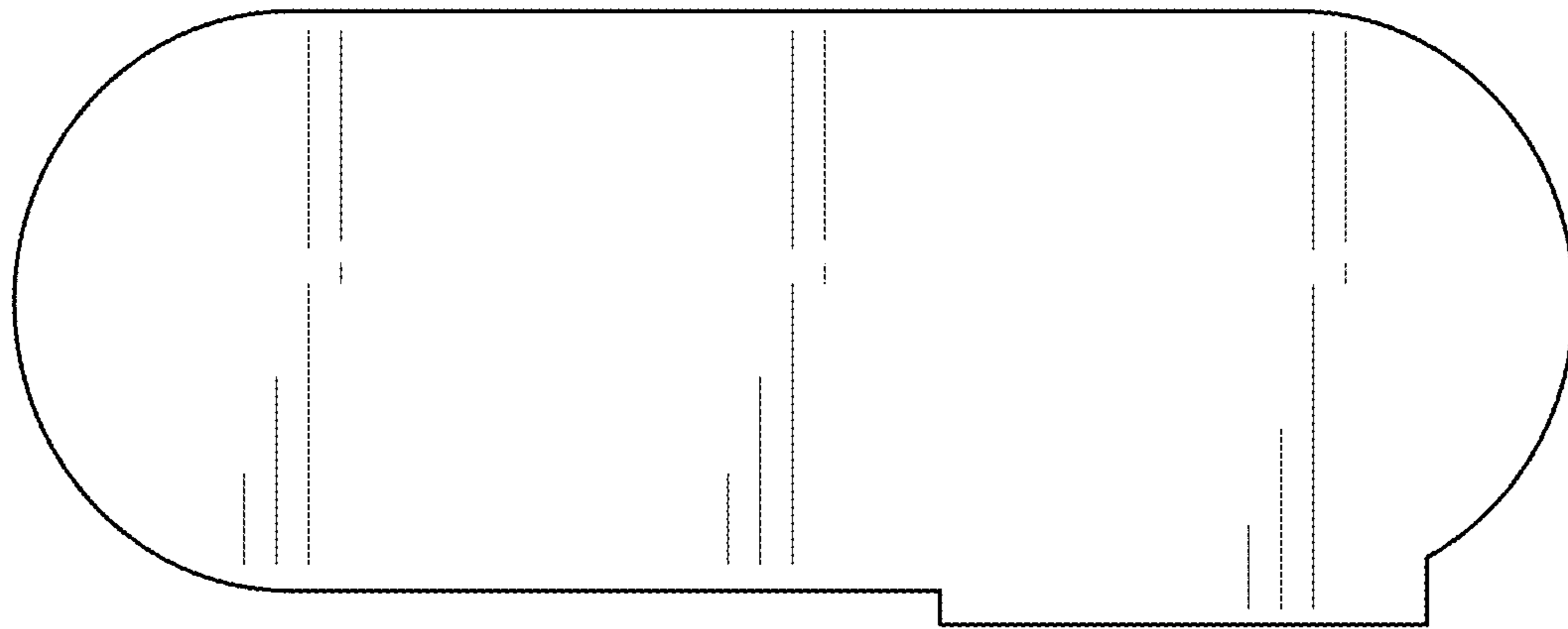


FIG. 9

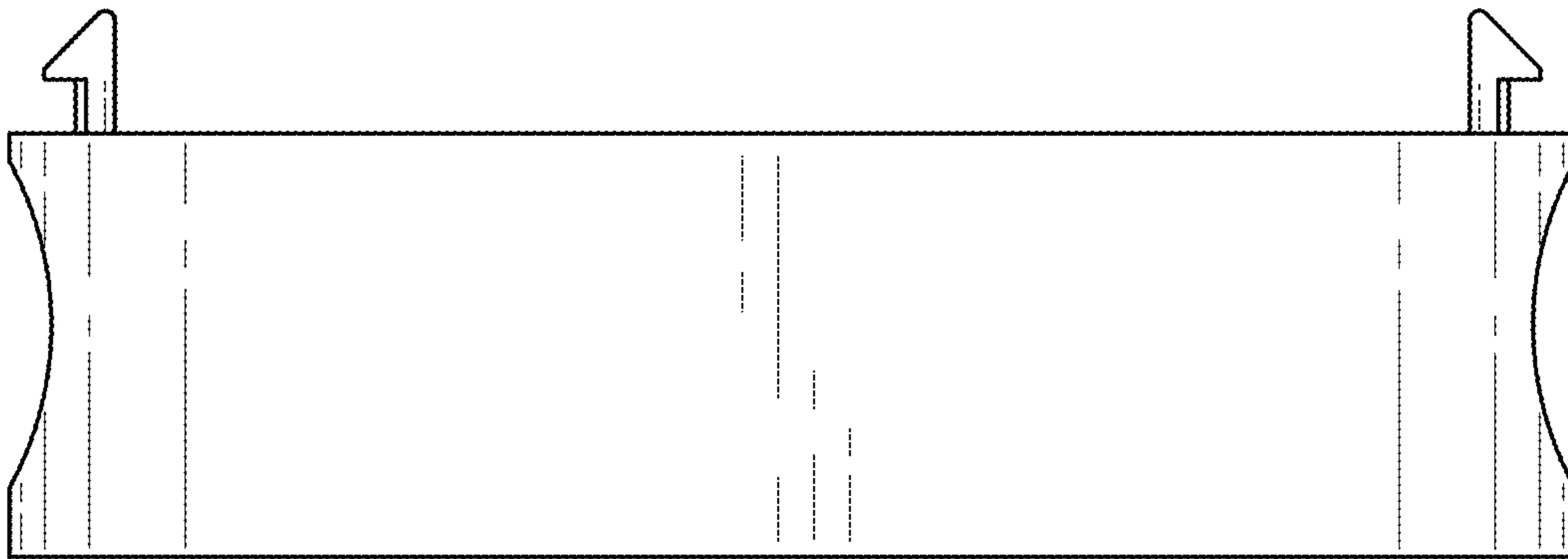


FIG. 10

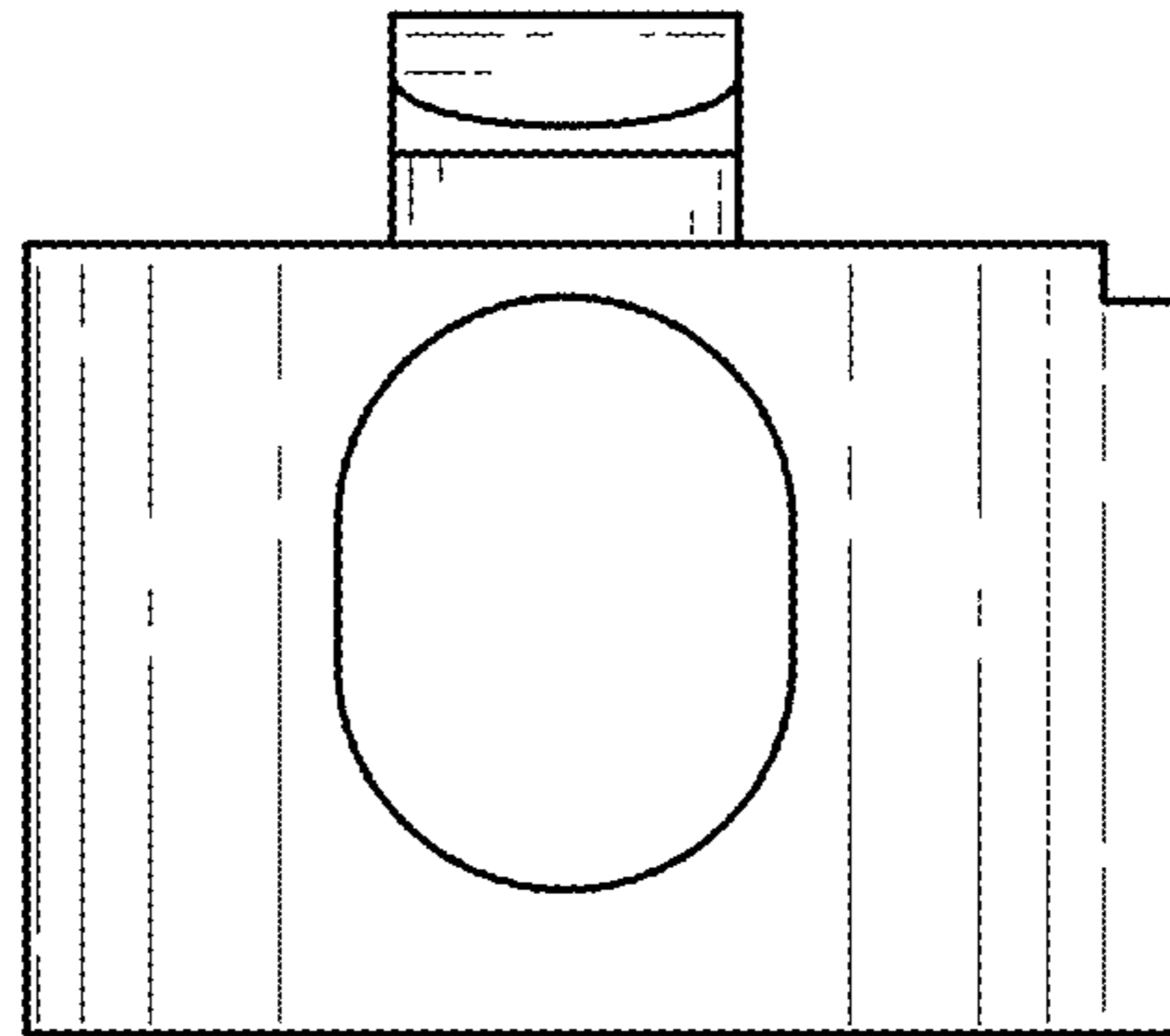


FIG. 11

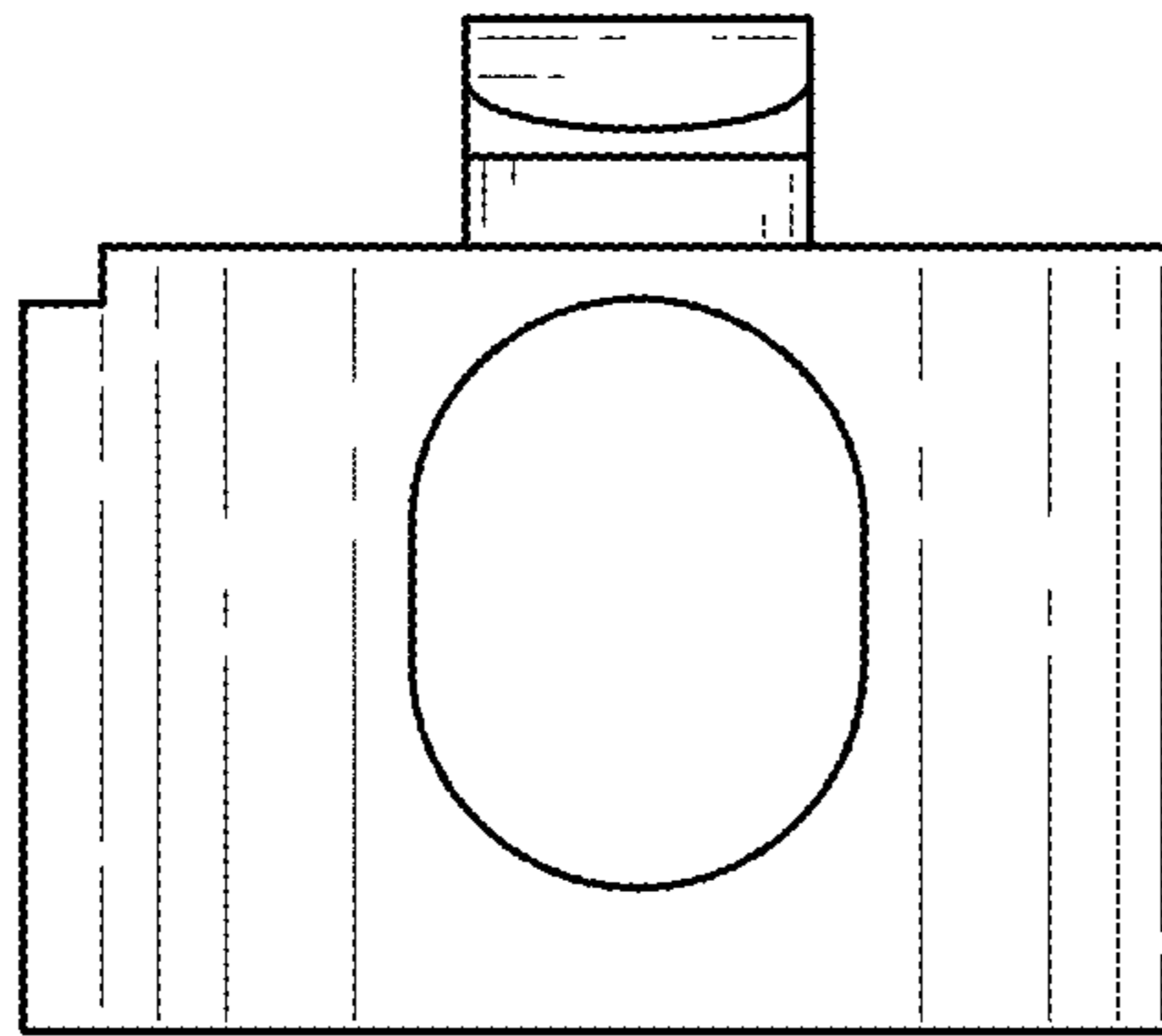


FIG. 12

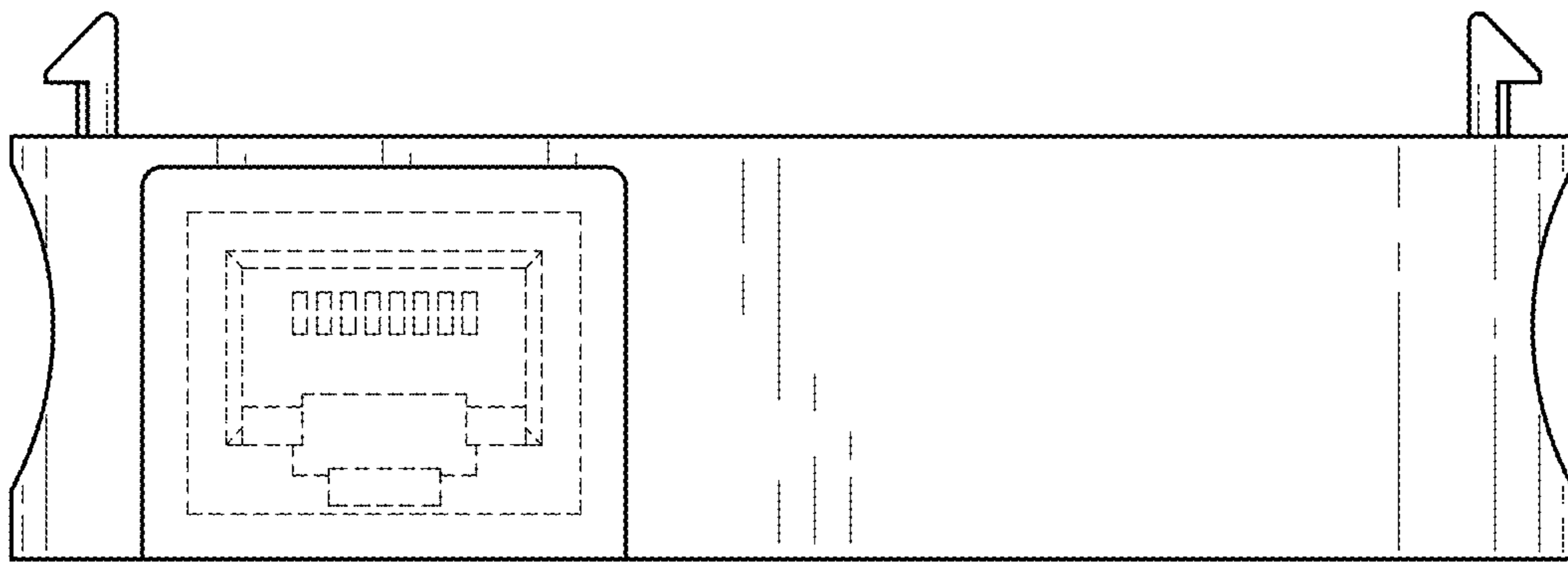


FIG. 13

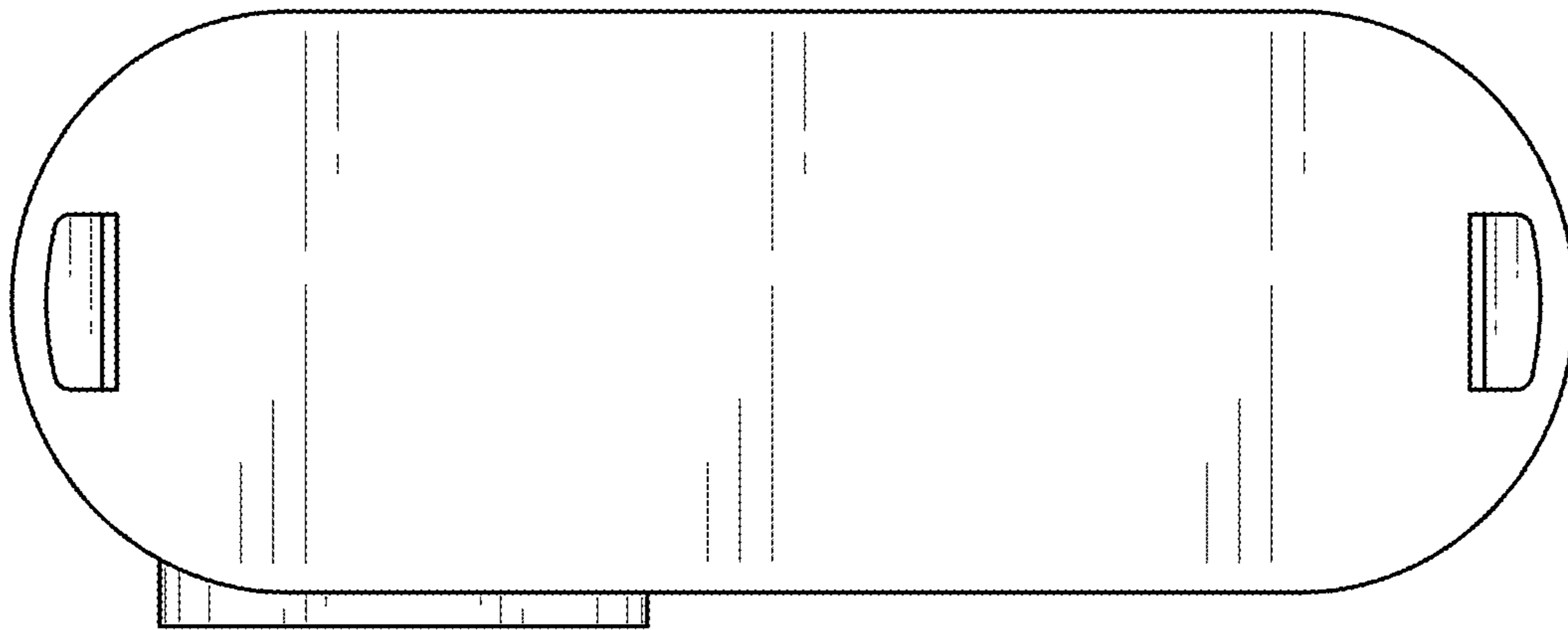


FIG. 14