



US00D951181S

(12) **United States Design Patent**  
**Hershberger et al.**

(10) **Patent No.:** **US D951,181 S**

(45) **Date of Patent:** **\*\* May 10, 2022**

(54) **BATTERY**

(71) Applicant: **Stryker Corporation**, Kalamazoo, MI (US)

(72) Inventors: **David Hershberger**, Kalamazoo, MI (US); **Steven T. Clifford**, Byron Center, MI (US); **Dustin J. Payne**, Kalamazoo, MI (US)

(73) Assignee: **Stryker Corporation**, Kalamazoo, MI (US)

(\*\*) Term: **15 Years**

(21) Appl. No.: **29/811,455**

(22) Filed: **Oct. 14, 2021**

**Related U.S. Application Data**

(63) Continuation of application No. 29/653,676, filed on Jun. 18, 2018, now Pat. No. Des. 935,387.

(51) **LOC (13) Cl.** ..... **13-02**

(52) **U.S. Cl.**  
USPC ..... **D13/103**

(58) **Field of Classification Search**  
USPC ..... D13/102–110, 118, 119, 153, 154, 184, D13/199

(Continued)

(56) **References Cited**

**U.S. PATENT DOCUMENTS**

D342,718 S \* 12/1993 Mackay ..... D13/108  
5,418,087 A 5/1995 Klein

(Continued)

**FOREIGN PATENT DOCUMENTS**

WO 2017155821 A1 9/2017  
WO 2019153349 A1 8/2019

**OTHER PUBLICATIONS**

Dyonics Power, “Large and Small Bone . . .”, <http://web.archive.org/web/20150907011554/https://www.smith-nephew.com/professional/microsites/academy/new-innovations/dyonics-power/>, Sep. 7, 2015, 2 pages.

(Continued)

*Primary Examiner* — Christy Nemeth

(74) *Attorney, Agent, or Firm* — Howard & Howard Attorneys PLLC

(57) **CLAIM**

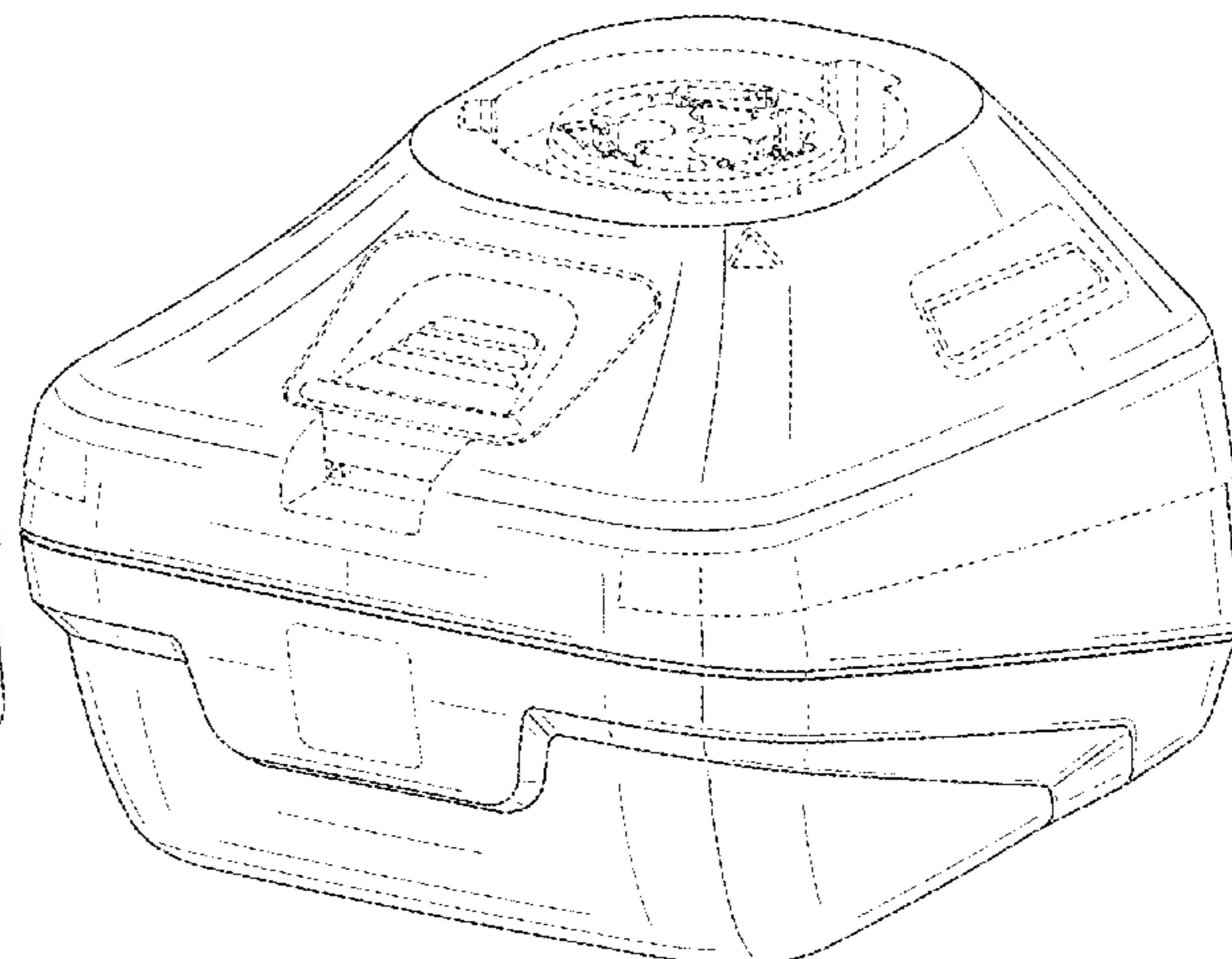
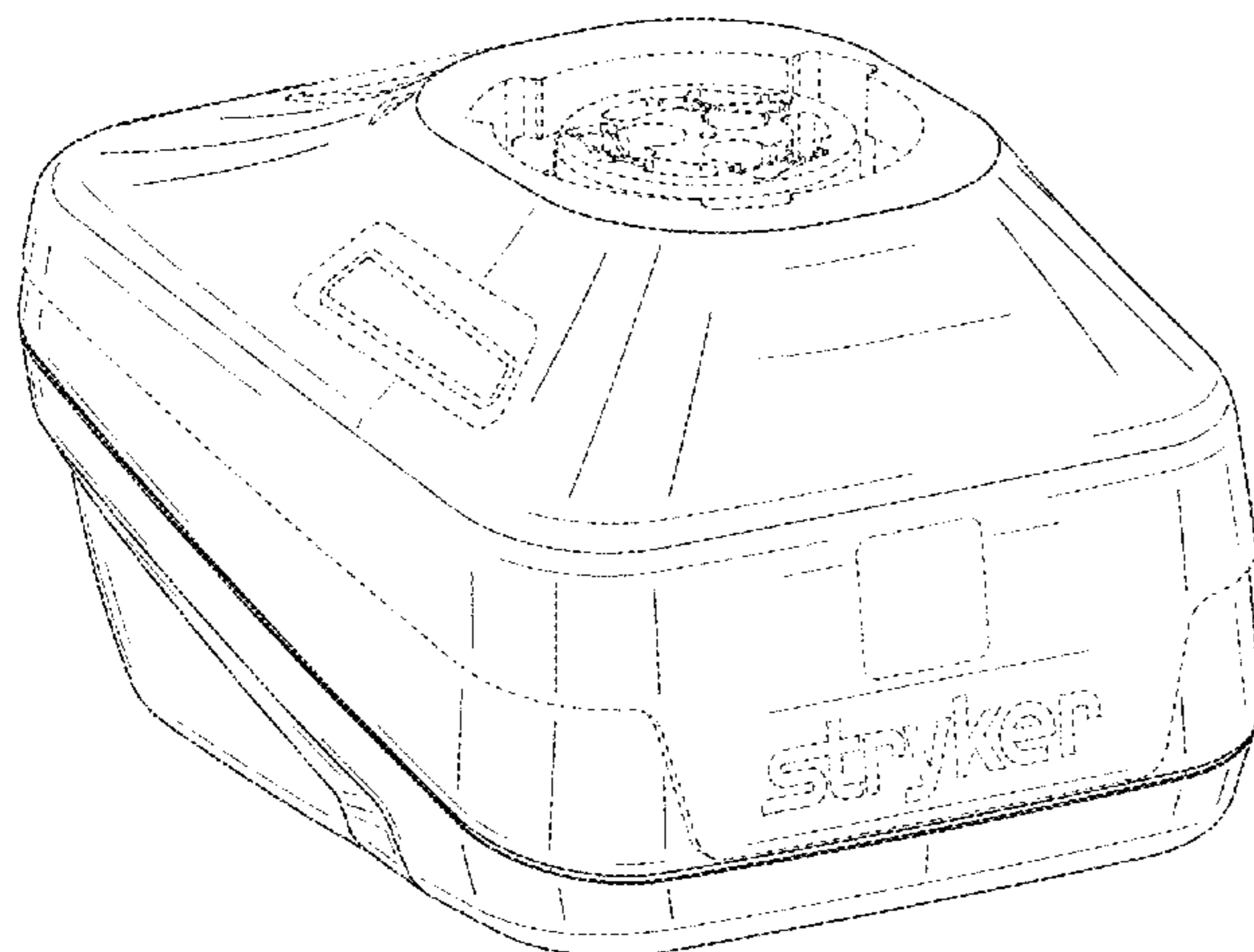
The ornamental design for a battery, as shown and described.

**DESCRIPTION**

FIG. 1 is a top, front, left perspective view of a battery; FIG. 2 is a top, rear, left perspective view of the battery of FIG. 1; FIG. 3 is a front elevational view of the battery of FIG. 1; FIG. 4 is a rear elevational view of the battery of FIG. 1; FIG. 5 is a right side elevational view of the battery of FIG. 1; FIG. 6 is a top plan view of the battery of FIG. 1; FIG. 7 is a top, front, left perspective view of a battery; FIG. 8 is a top, rear, left perspective of the battery of FIG. 7; FIG. 9 is a front elevational view of the battery of FIG. 7; FIG. 10 is a rear elevational view of the battery of FIG. 7; FIG. 11 is a right side elevational view of the battery of FIG. 7; and, FIG. 12 is a top plan view of the battery of FIG. 7.

The broken lines in the drawings are for the purpose of illustrating portions of the article that form no part of the claimed design. Bottom views have been omitted as the bottom surfaces are flat and devoid of surface ornamentation.

**1 Claim, 12 Drawing Sheets**



(58) **Field of Classification Search**

CPC ..... Y02E 60/10; Y02E 60/12; Y02E 60/122;  
 Y02E 60/124; Y02E 60/50; H01M 2/02;  
 H01M 2/022; H01M 2/0202; H01M  
 2/0207; H01M 2/0212; H01M 2/1061;  
 H01M 2/1022; H01M 2/1055; H01M  
 2/1066; H01M 2/105; H01M 2/20; H01M  
 2/202; H01M 2/204; H01M 2/206; H01M  
 2200/30; H01M 2250/30; H01M 2250/40;  
 H01M 10/44; H01M 10/46; H01M  
 10/465; H01M 10/482; H01M 10/4257;  
 H01M 10/0436; H01M 10/48; H02J  
 7/0034; H02J 7/0054; H02J 7/1423; H02J  
 7/00; H02J 7/0003; H02J 7/0011; H02J  
 7/0013; H02J 7/0055; H02J 7/0057;  
 Y02T 10/7005; Y02T 10/705; Y02T  
 10/7088

See application file for complete search history.

(56) **References Cited**

U.S. PATENT DOCUMENTS

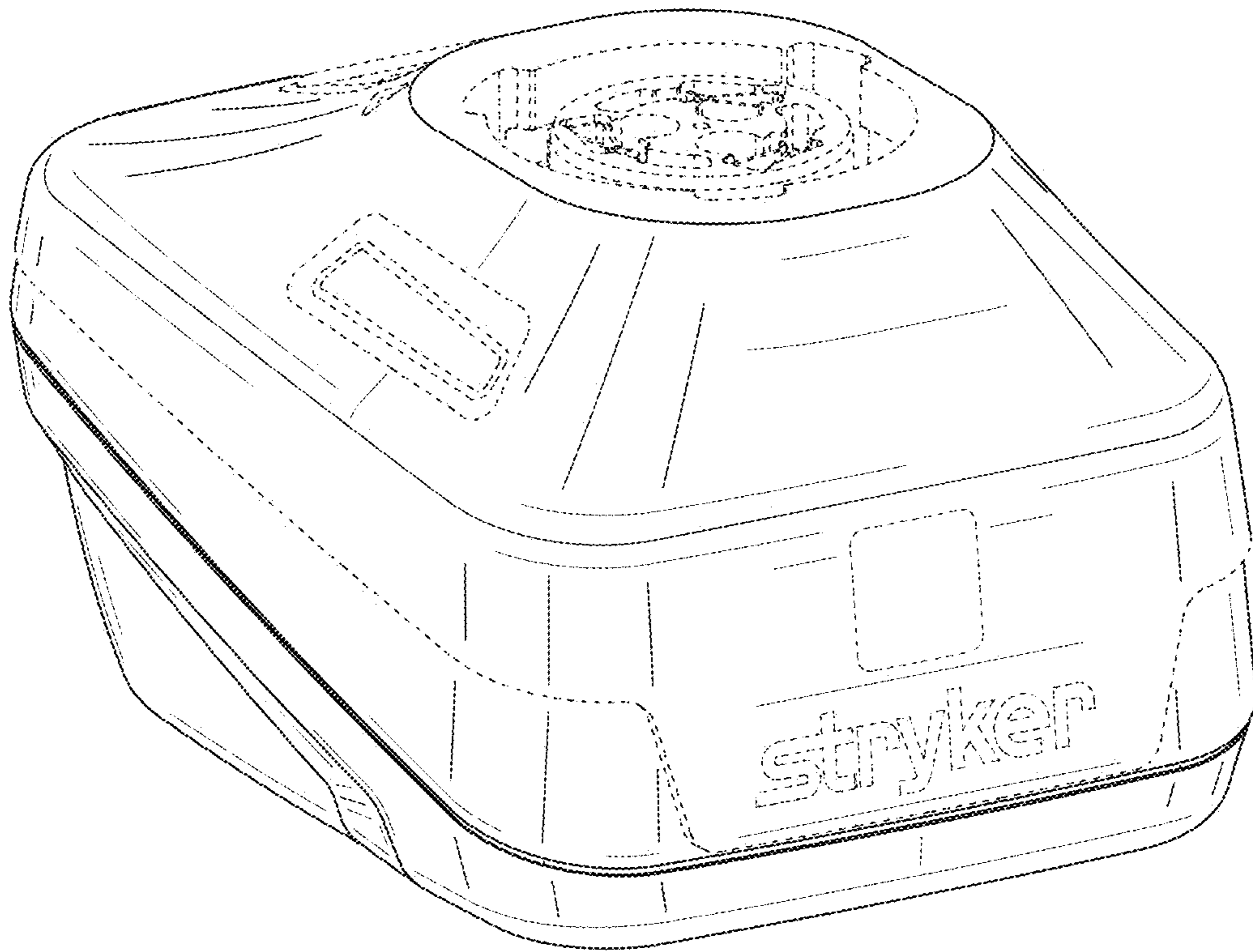
D364,375	S	11/1995	Sakashita et al.	
D400,499	S	11/1998	Bunyea	
D413,564	S	9/1999	Hershberger et al.	
5,977,746	A	11/1999	Hershberger et al.	
6,126,670	A	10/2000	Walker et al.	
D439,878	S	4/2001	Ark et al.	
D456,005	S	4/2002	Jokinen	
D462,321	S	9/2002	Ullmann	
6,553,642	B2	4/2003	Driessen	
D476,617	S	7/2003	Kasahara et al.	
D477,276	S	7/2003	Katsumoto et al.	
6,840,335	B1	1/2005	Wu	
6,887,244	B1	5/2005	Walker et al.	
D520,446	S *	5/2006	Liu	D13/108
D530,270	S *	10/2006	Ozawa	D13/103
7,121,362	B2	10/2006	Hsu et al.	
7,186,117	B2	3/2007	Chen	
7,205,745	B2	4/2007	Murashige et al.	
D548,177	S	8/2007	Okuda	
D553,562	S *	10/2007	Okada	D13/103
D563,868	S	3/2008	Christopher et al.	

D577,666	S	9/2008	Nishizawa	
7,429,430	B2	9/2008	Mooty et al.	
D578,473	S	10/2008	Okuda et al.	
D585,369	S	1/2009	Castellucci et al.	
D590,333	S *	4/2009	Price	D13/103
D600,204	S *	9/2009	Woon	D13/107
D601,497	S *	10/2009	Aglassinger	D13/107
7,619,387	B2	11/2009	Amend et al.	
D619,092	S	7/2010	Eilertsen et al.	
D619,093	S	7/2010	Eilertsen et al.	
D622,660	S *	8/2010	Taniguchi	D13/103
D633,034	S	2/2011	Heine et al.	
D642,057	S	7/2011	Reed et al.	
D693,765	S	11/2013	Workman et al.	
8,822,067	B2	9/2014	Johnson et al.	
8,878,490	B2	11/2014	LaSota et al.	
8,974,932	B2	3/2015	McGahan et al.	
9,427,505	B2	8/2016	Askem et al.	
9,461,281	B2	10/2016	Wackwitz et al.	
9,819,051	B2	11/2017	Johnson et al.	
9,872,696	B2	1/2018	Smith et al.	
9,884,416	B2	2/2018	Chellew et al.	
D817,869	S *	5/2018	Lee	D13/103
10,224,566	B2	3/2019	Johnson et al.	
10,276,844	B2	4/2019	Wackwitz et al.	
D851,584	S	6/2019	Luke et al.	
10,511,008	B2	12/2019	Brush et al.	
D900,020	S *	10/2020	Hershberger	D13/103
D935,387	S *	11/2021	Hershberger	D13/103
D936,580	S *	11/2021	Li	D13/108
2008/0150474	A1	6/2008	Ball et al.	
2012/0244399	A1	9/2012	Tartaglia	
2014/0151079	A1	6/2014	Furui et al.	
2017/0294787	A1	10/2017	Taga	
2018/0205051	A1	7/2018	Sakai et al.	
2019/0027720	A1	1/2019	Rejman et al.	
2020/0034588	A1 *	1/2020	Colavito	G06F 1/26
2020/0197027	A1	6/2020	Hershberger et al.	

OTHER PUBLICATIONS

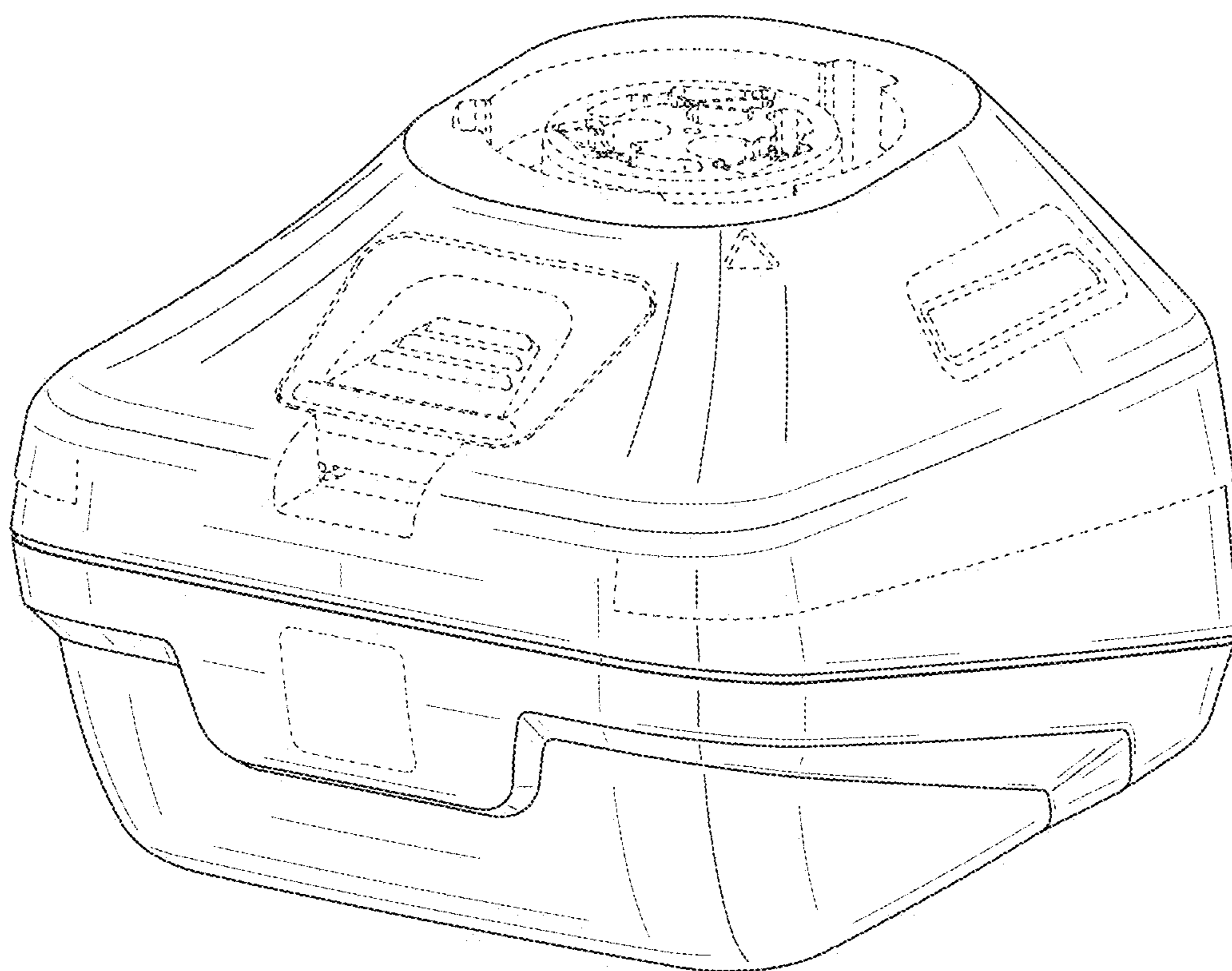
Stryker Corporation, "System 8 power tools: A family of power tools built for the whole hospital", copyright 2017; 5 pages.  
 Synthes, "Power Drive Battery-Driven Power Tool System for Orthopaedics and Traumatology User's Manual", 2000, 29 pages.

\* cited by examiner

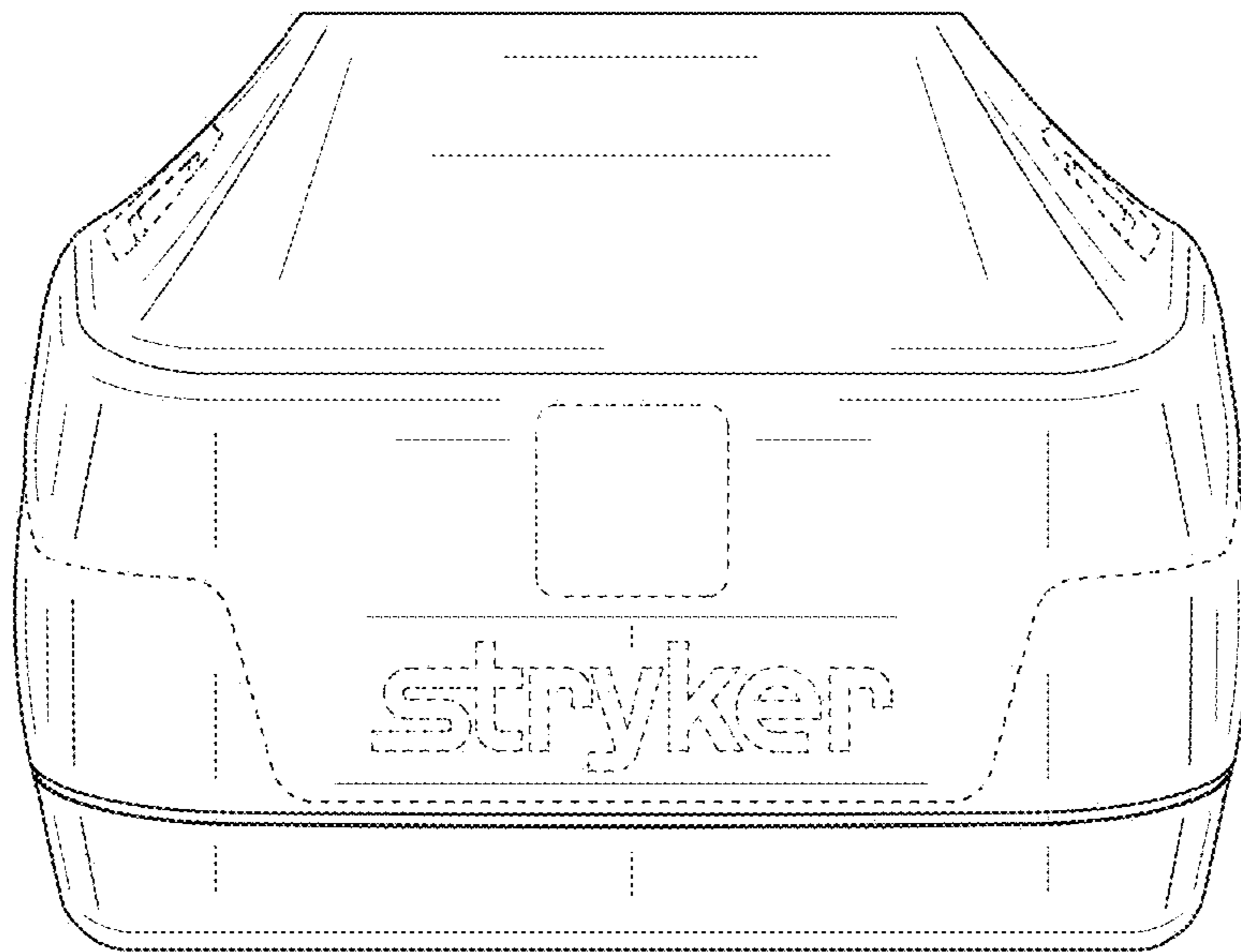


**FIG. 1**

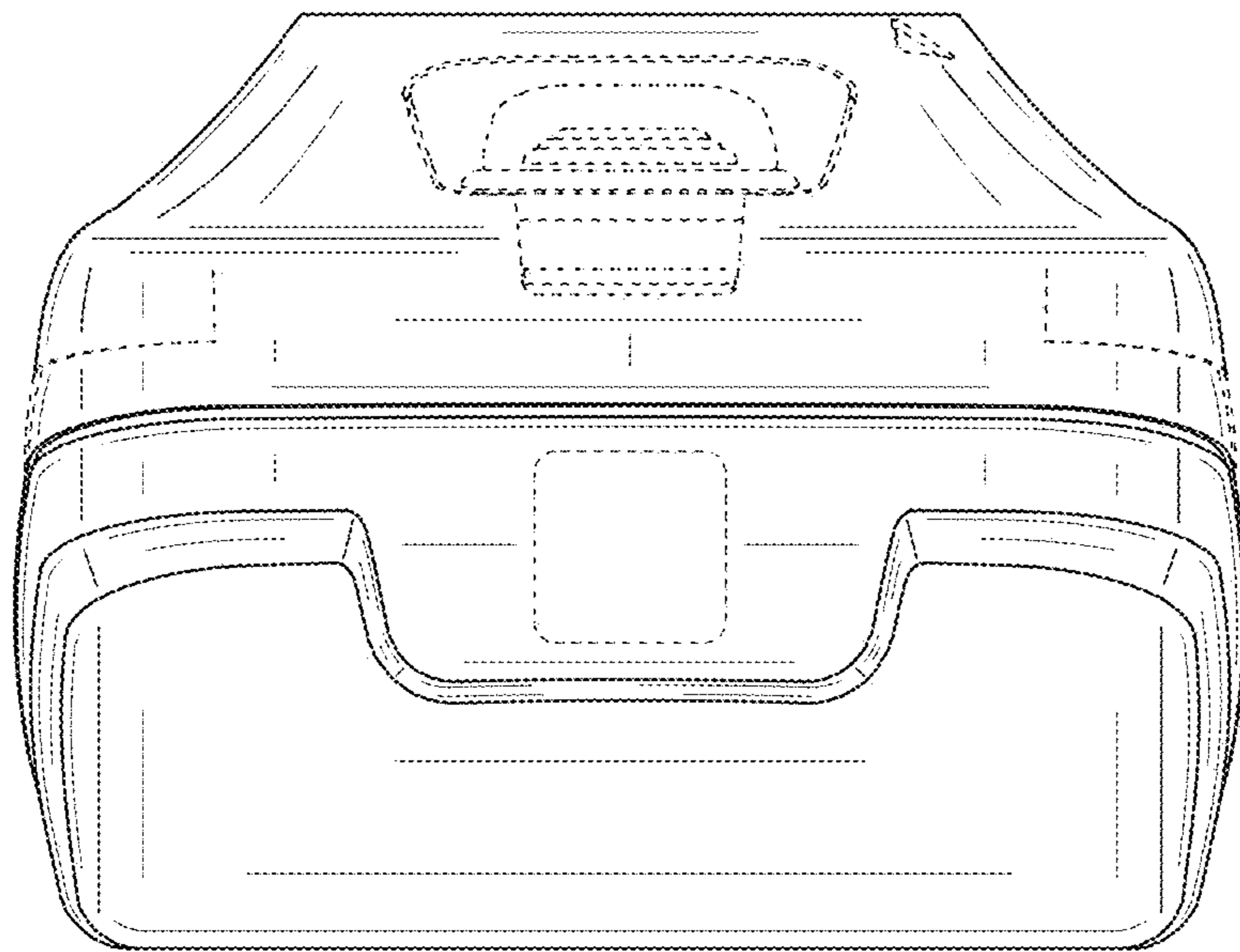




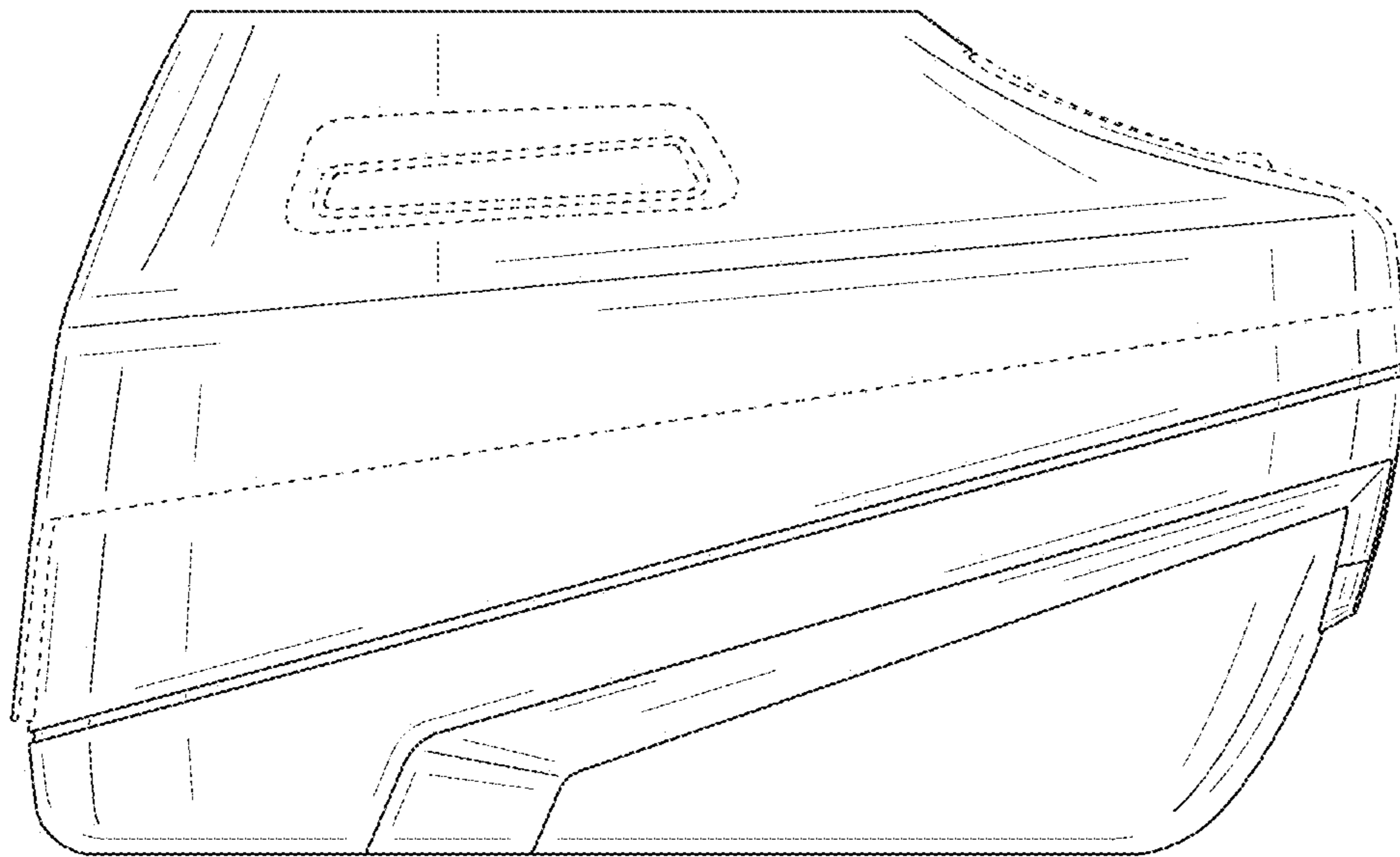
**FIG. 2**



**FIG. 3**



**FIG. 4**



**FIG. 5**

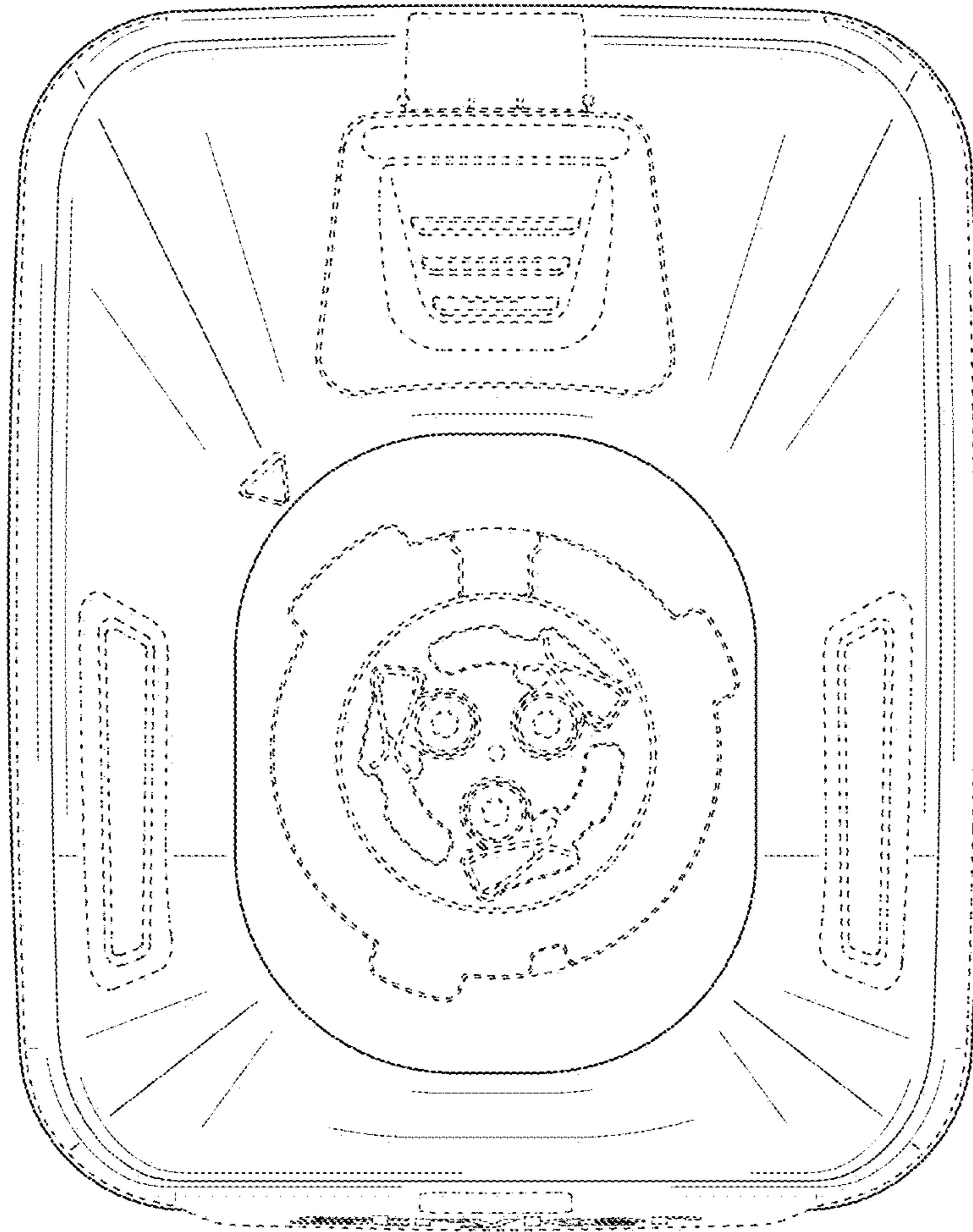
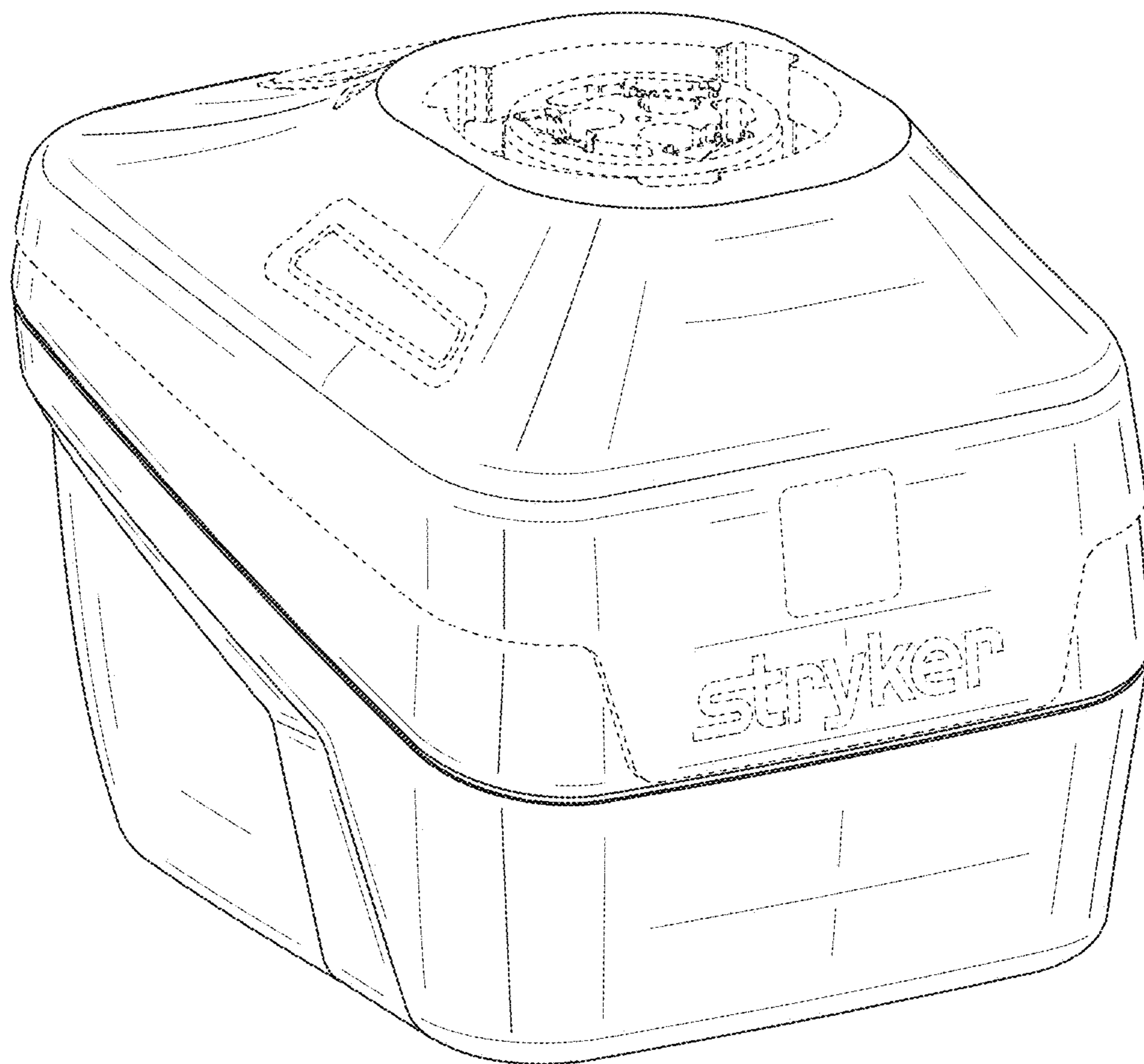


FIG. 6





**FIG. 7**

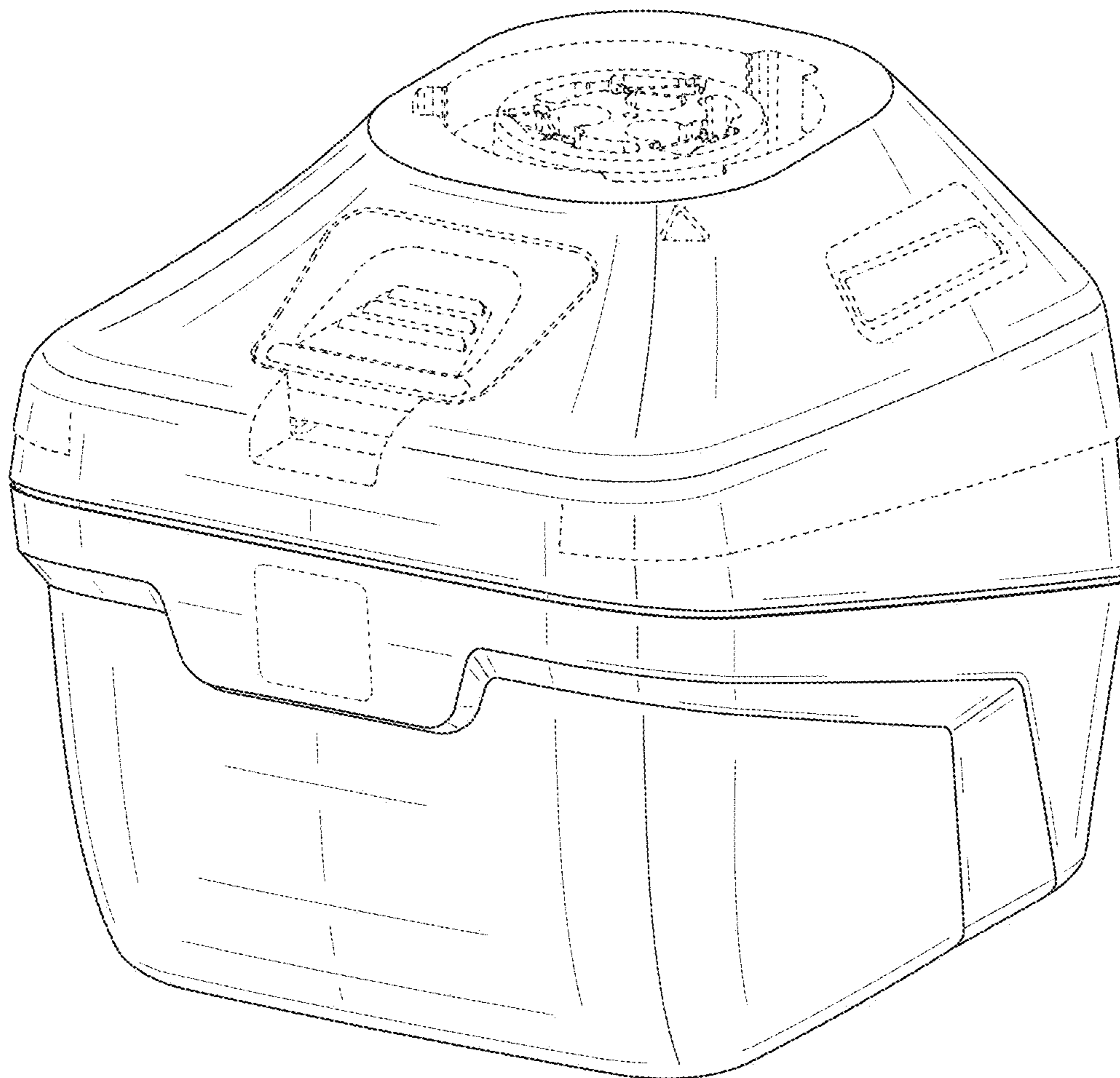
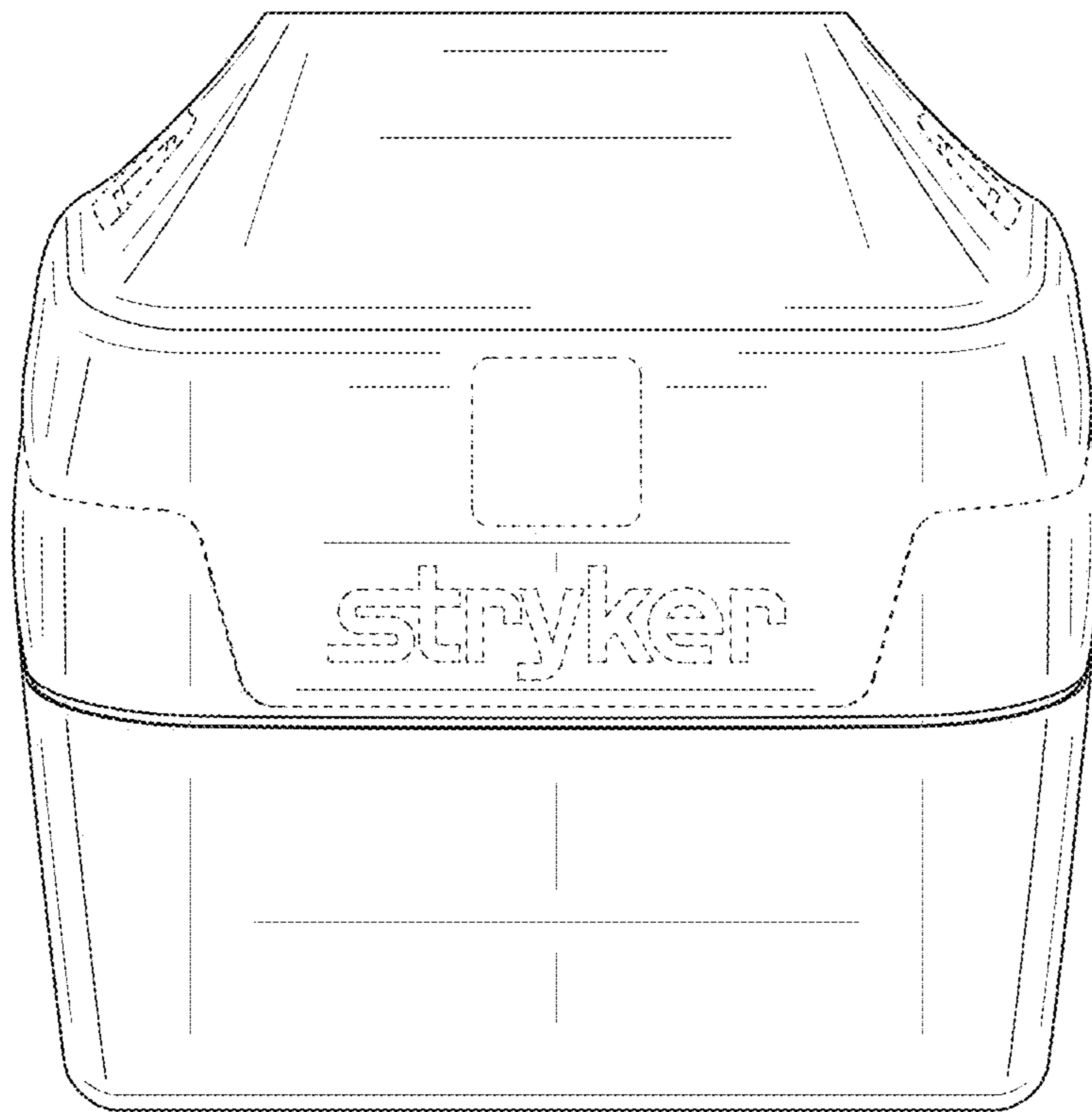
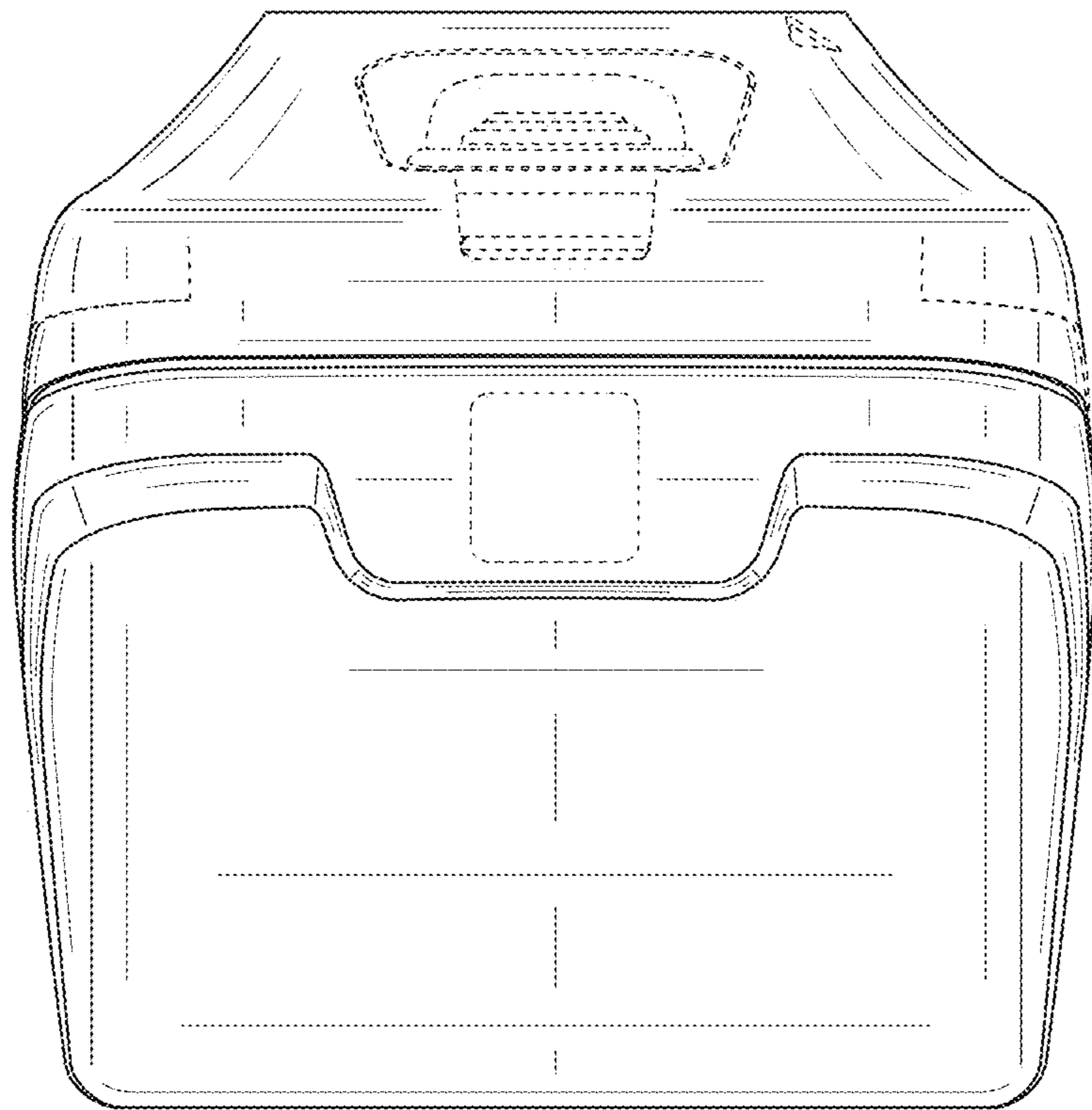


FIG. 8

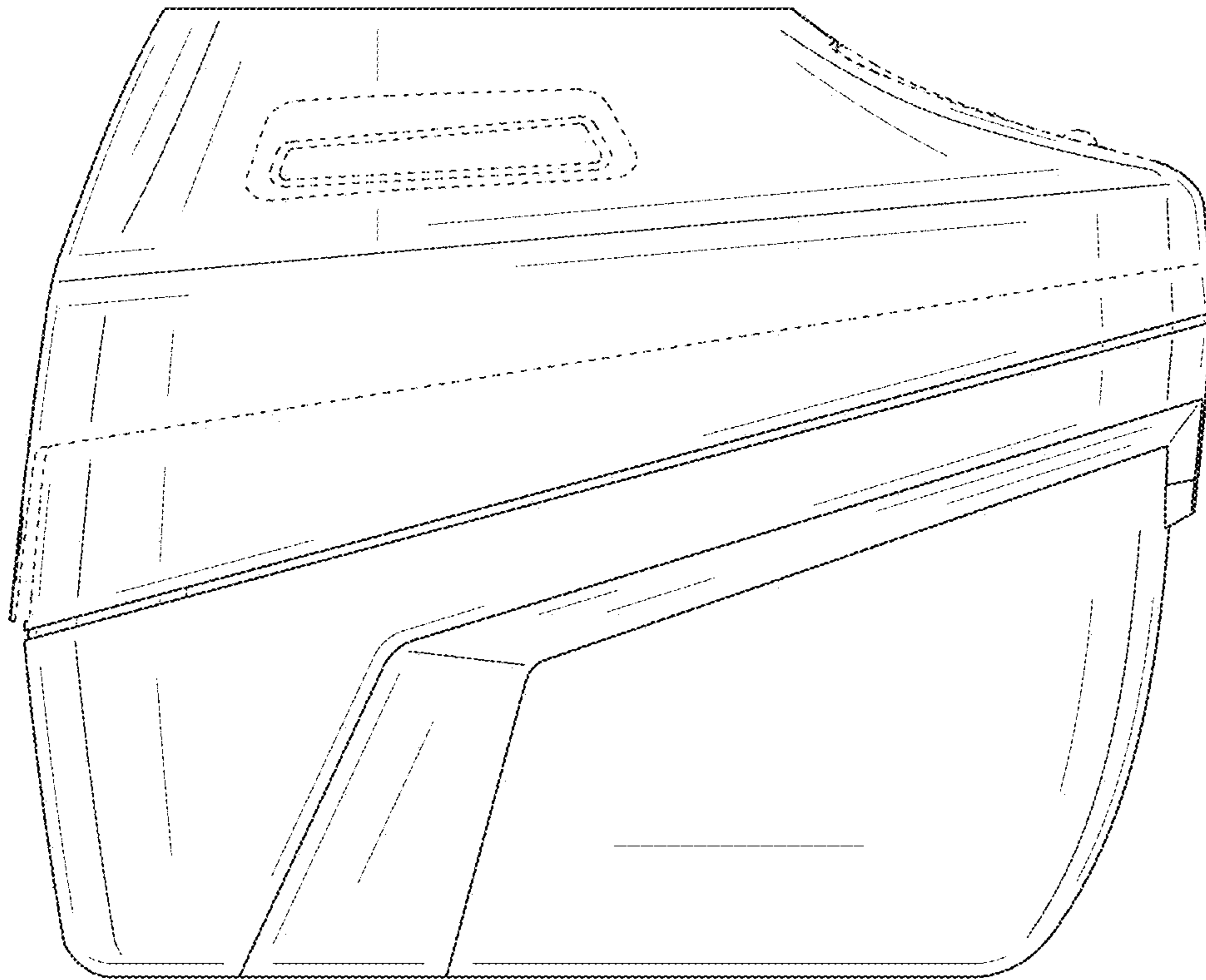


**FIG. 9**

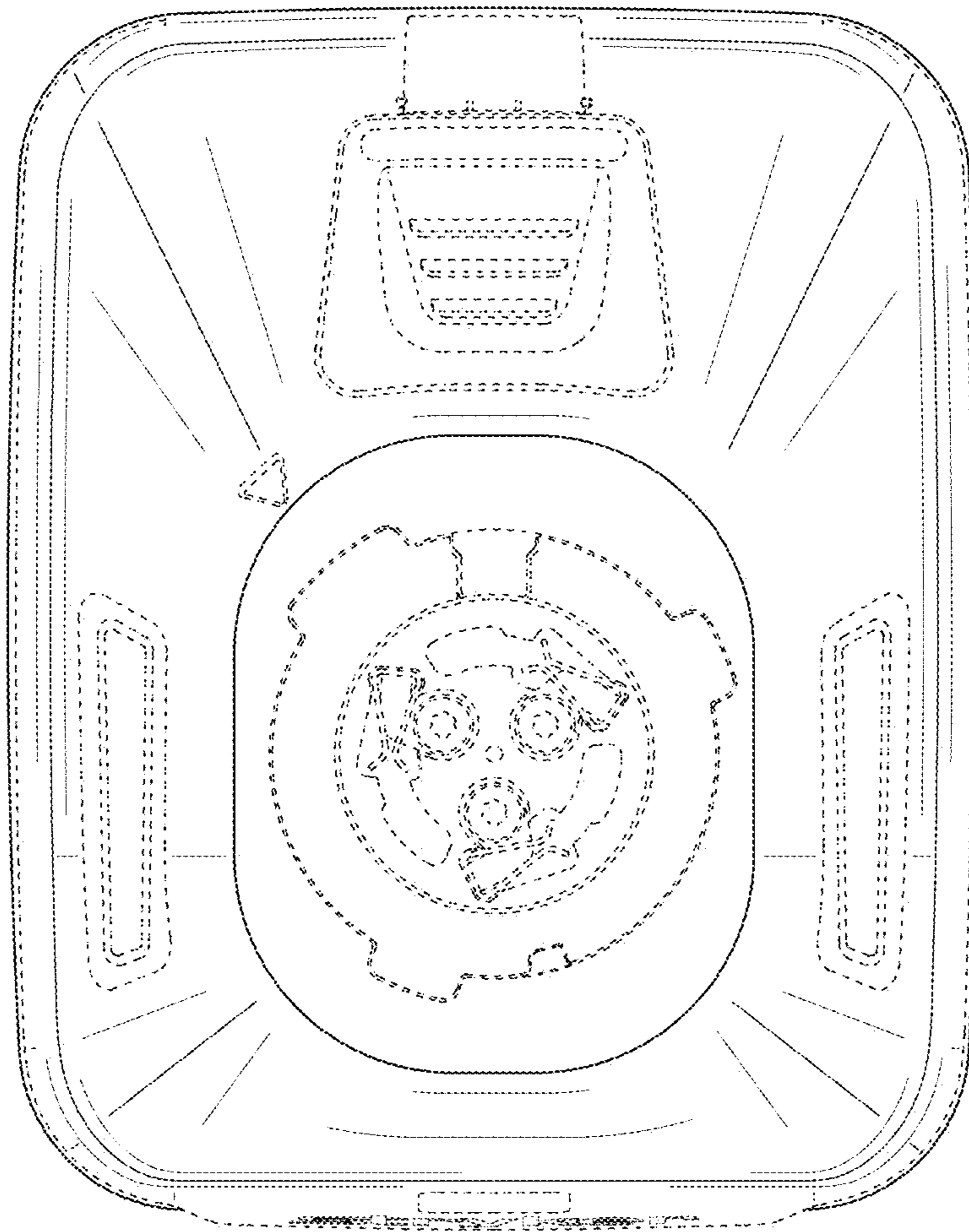


**FIG. 10**





**FIG. 11**



**FIG. 12**