



US00D951180S

(12) **United States Design Patent** (10) **Patent No.:** **US D951,180 S**
Crowe (45) **Date of Patent:** **** *May 10, 2022**

(54) **VAPORIZER BATTERY**
(71) Applicant: **Vuber Technologies, LLC**, Seattle, WA (US)
(72) Inventor: **David Crowe**, Lake Forest Park, WA (US)
(*) Notice: This patent is subject to a terminal disclaimer.
(**) Term: **15 Years**
(21) Appl. No.: **29/670,623**
(22) Filed: **Nov. 18, 2018**
(51) **LOC (13) Cl.** **13-02**
(52) **U.S. Cl.**
USPC **D13/103; D27/194**
(58) **Field of Classification Search**
USPC D27/100, 101, 161, 162-194; D23/366; D24/110; D19/101, 106, 115, 165, 195; D13/103
CPC A24F 47/00; A24F 47/002; A24F 15/12
See application file for complete search history.

D722,956 S * 2/2015 Alima D13/103
D724,782 S 3/2015 Wu
D725,310 S 3/2015 Eksouzian
D732,733 S 6/2015 Spagnolo et al.
(Continued)

OTHER PUBLICATIONS

Vuber Vaporizers. earliest review dated Apr. 16, 2018. found online [Apr. 1, 2019] <https://vubervaporizers.com/product/pulse-battery-kit/>.*

Primary Examiner — Marissa J Cash
(74) *Attorney, Agent, or Firm* — Walker Griffin Weitzel; Alloy Patent Law

(57) **CLAIM**

The ornamental design for a vaporizer battery, as shown and described.

DESCRIPTION

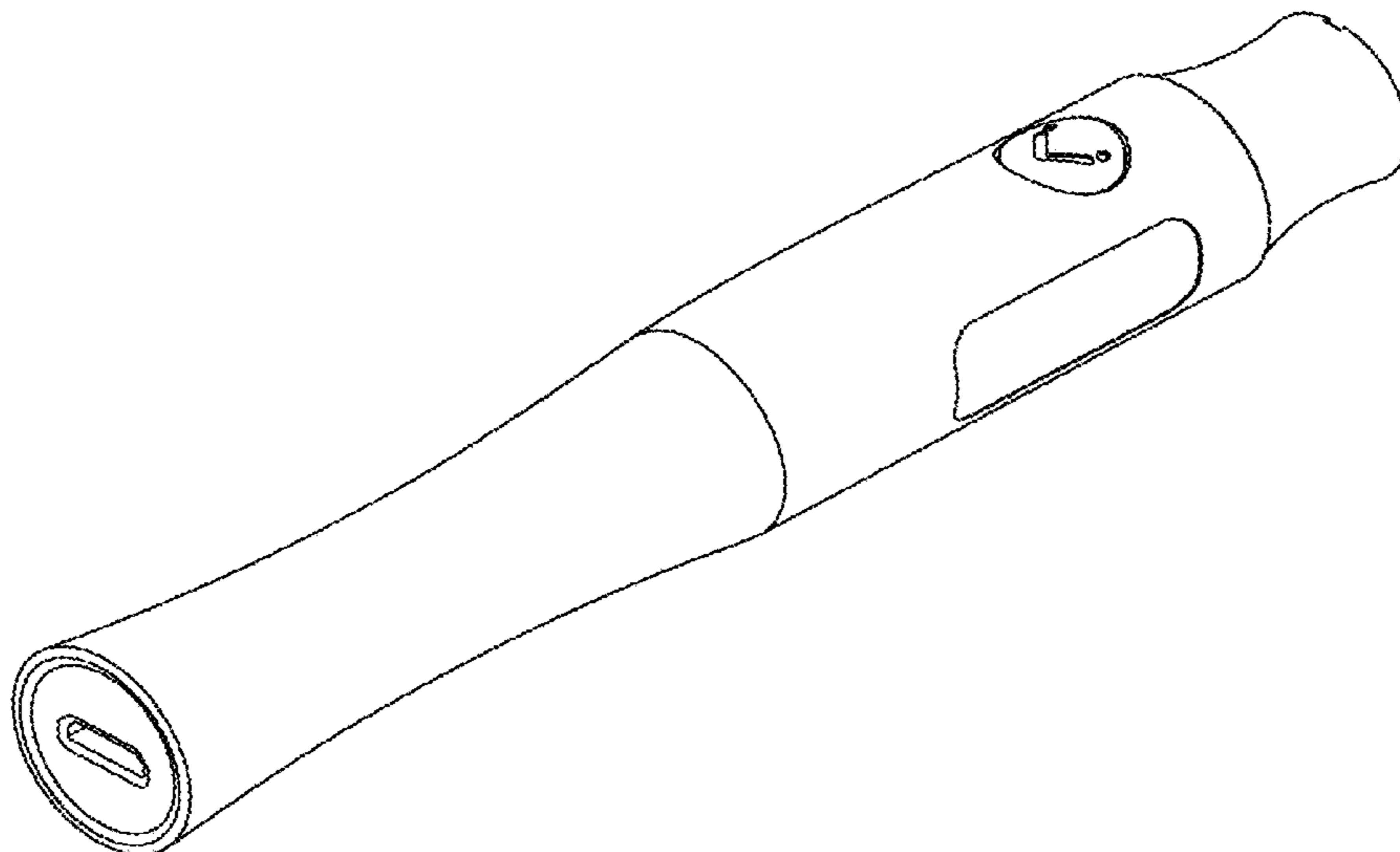
FIG. 1 is a first isometric view of a first embodiment of a vaporizer battery;
FIG. 2 is a second isometric view thereof;
FIG. 3 is a right plan view thereof;
FIG. 4 is a front plan view thereof;
FIG. 5 is a left plan view thereof;
FIG. 6 is a rear plan view thereof;
FIG. 7 is a top view thereof; and,
FIG. 8 is a bottom view thereof.
FIG. 9 is a third isometric view thereof;
FIG. 10 is an isometric view of a second embodiment of the vaporizer battery;
FIG. 11 is a right plan view thereof;
FIG. 12 is a front plan view thereof;
FIG. 13 is a left plan view thereof; and,
FIG. 14 is a rear plan view thereof.
The broken lines are for the purpose of illustrating portions of the vaporizer battery that forms no part of the claimed design.

(56) **References Cited**

U.S. PATENT DOCUMENTS

D142,842 S * 11/1945 Daze D27/170
D167,230 S * 7/1952 Rehfeld D27/163
D223,879 S * 6/1972 Chernack D27/194
D224,760 S * 9/1972 Chernack D27/170
D590,991 S * 4/2009 Hon D27/101
D655,036 S * 2/2012 Zhou D27/101
D666,355 S * 8/2012 Alelov D27/101
D693,053 S 1/2013 Chen
D683,897 S * 6/2013 Liu D27/170
D684,311 S * 6/2013 Liu D27/101
D695,450 S 12/2013 Benassayag et al.
D720,499 S * 12/2014 Alima D27/167
D720,881 S 1/2015 Liu
D720,883 S 1/2015 Albanese
D721,202 S 1/2015 Liu
D722,166 S 2/2015 Buehl et al.

1 Claim, 4 Drawing Sheets



(56)

References Cited

U.S. PATENT DOCUMENTS

D739,598 S * 9/2015 Lavanchy D27/100
 D750,834 S * 3/2016 Wei D27/101
 D752,278 S * 3/2016 Verleur D13/103
 D753,873 S * 4/2016 Schuessler D27/101
 D756,031 S * 5/2016 Wu D27/101
 D764,702 S * 8/2016 Di Bari D27/101
 D770,087 S * 10/2016 Di Bari D27/101
 D778,492 S * 2/2017 Liu D27/101
 D779,722 S * 2/2017 Volodarsky D27/162
 D787,114 S * 5/2017 Scott D27/194
 D792,021 S * 7/2017 Beer D27/101
 D797,369 S * 9/2017 Yamada D27/101
 D803,475 S * 11/2017 Scheiber D27/101
 D805,248 S * 12/2017 Chen D27/170
 D806,942 S * 1/2018 Qiu D27/101
 D808,580 S * 1/2018 Kwitel D27/101
 D812,807 S * 3/2018 Thuery D27/101
 D813,445 S * 3/2018 Scott D27/101
 D814,102 S * 3/2018 Lehoux D27/101
 D816,266 S * 4/2018 Thuery D27/101
 D821,028 S * 6/2018 Tucker D27/101
 D825,835 S * 8/2018 Verleur D27/101

D825,838 S * 8/2018 Abroff D27/101
 D832,503 S * 10/2018 Blanding D27/163
 D834,743 S * 11/2018 Tucker D27/101
 D836,833 S * 12/2018 Simon D27/189
 D843,648 S * 3/2019 Santos D27/162
 D844,222 S * 3/2019 Yamada D27/101
 2011/0290244 A1* 12/2011 Schennum A61M 15/06
 128/200.23
 2016/0073694 A1* 3/2016 Liu H05B 3/40
 131/329
 2016/0135502 A1* 5/2016 Wang A24F 47/008
 131/329
 2016/0150821 A1* 6/2016 Liu A24F 47/002
 131/329
 2016/0183596 A1* 6/2016 Rado A24F 47/008
 392/395
 2017/0202266 A1* 7/2017 Sur A24F 47/008
 2017/0294804 A1* 10/2017 Sur H02S 40/38
 2017/0295845 A1* 10/2017 Bajpai A24F 47/008
 2018/0169355 A1* 6/2018 Reevell A61M 15/0036
 2018/0255835 A1* 9/2018 Crowe A24F 47/008
 2018/0271149 A1* 9/2018 Holtz A24F 47/008
 2019/0008207 A1* 1/2019 Crowe A24F 47/008
 2019/0090551 A1* 3/2019 Hon A24F 47/004

* cited by examiner

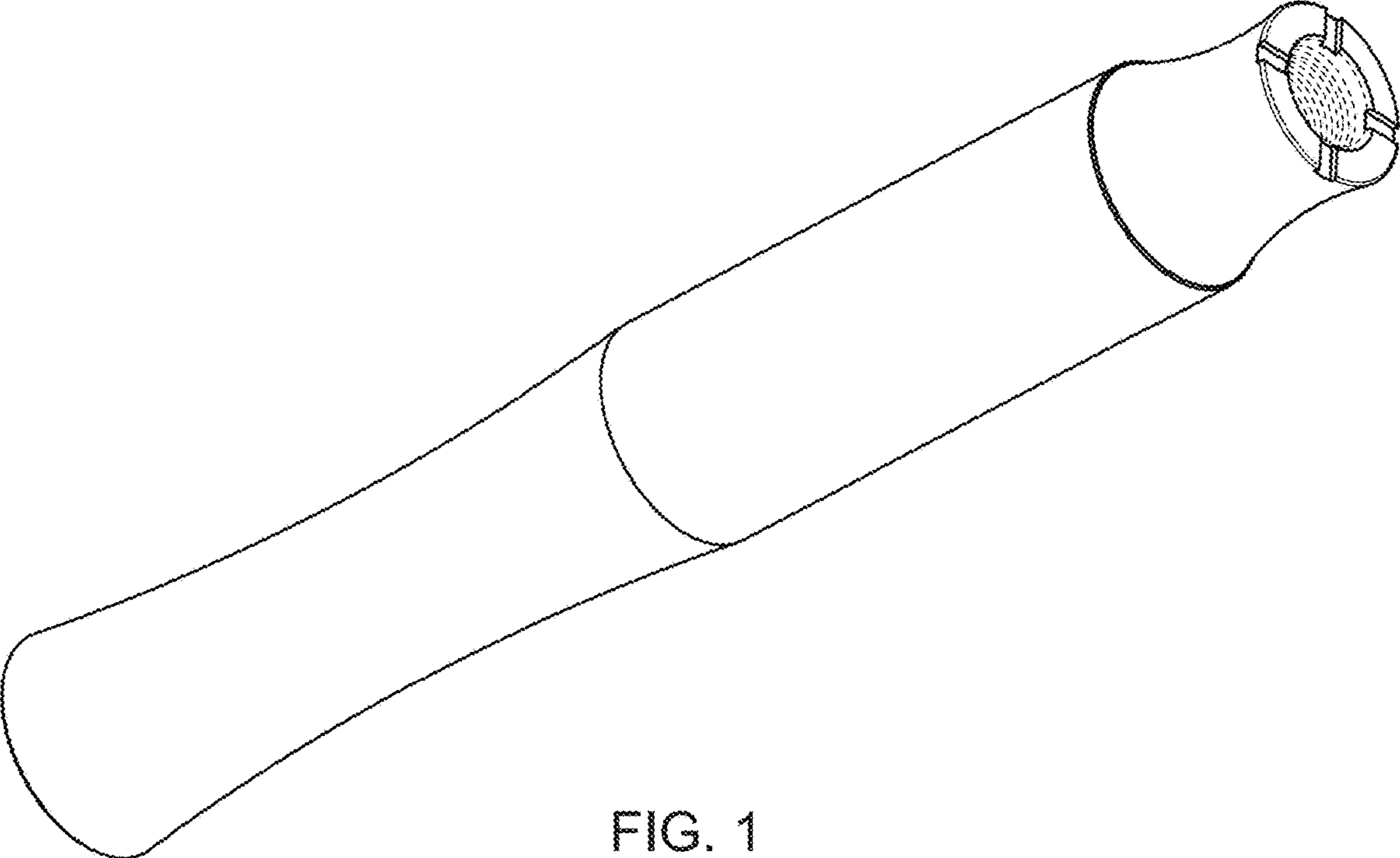


FIG. 1

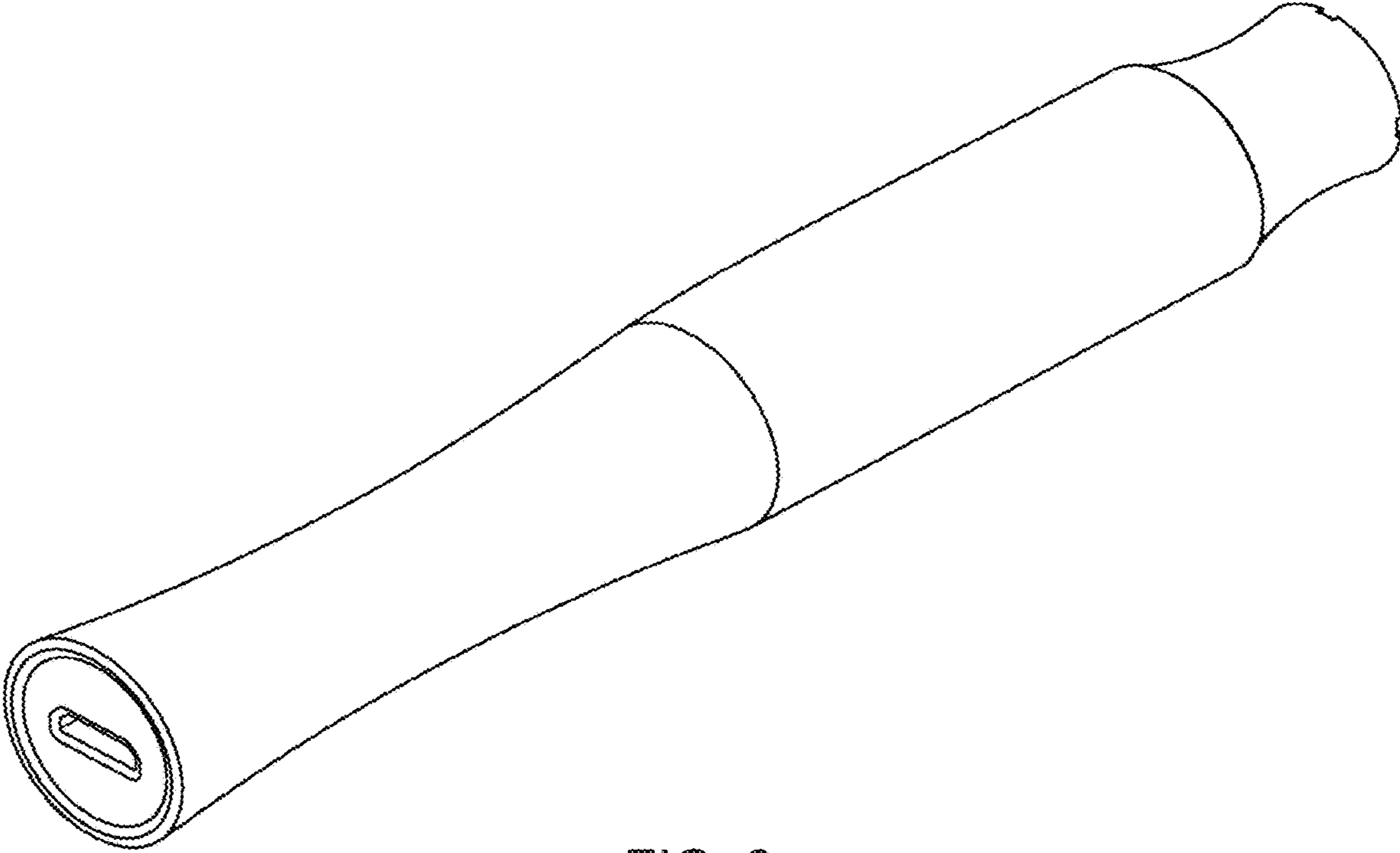


FIG. 2

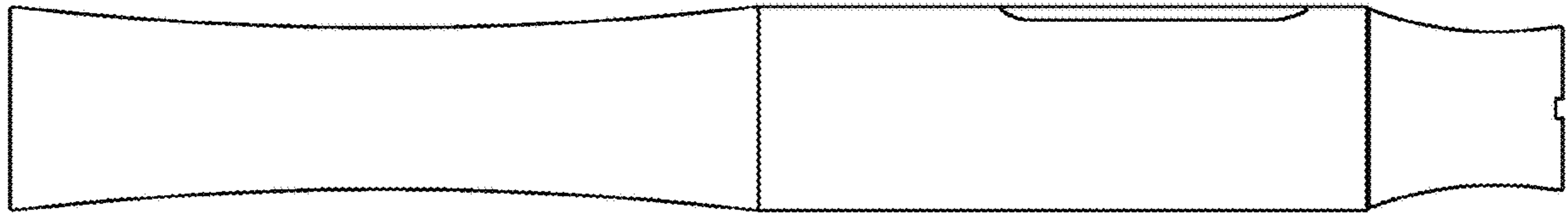


FIG. 3

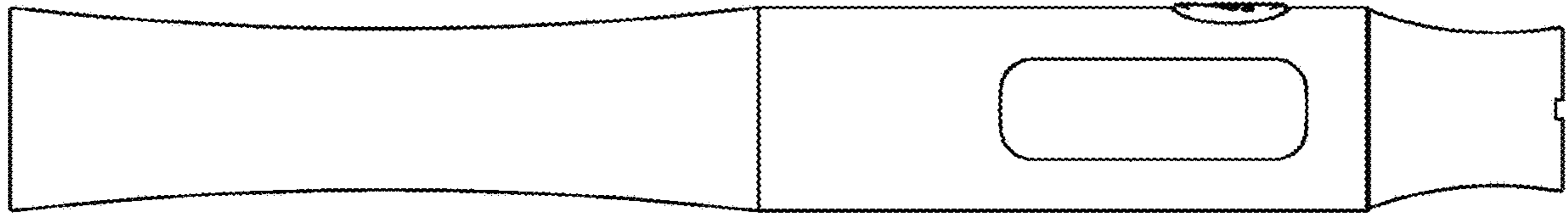


FIG. 4

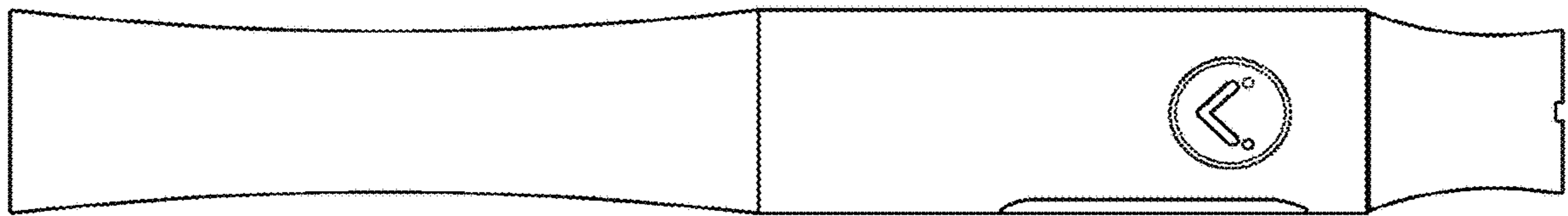


FIG. 5

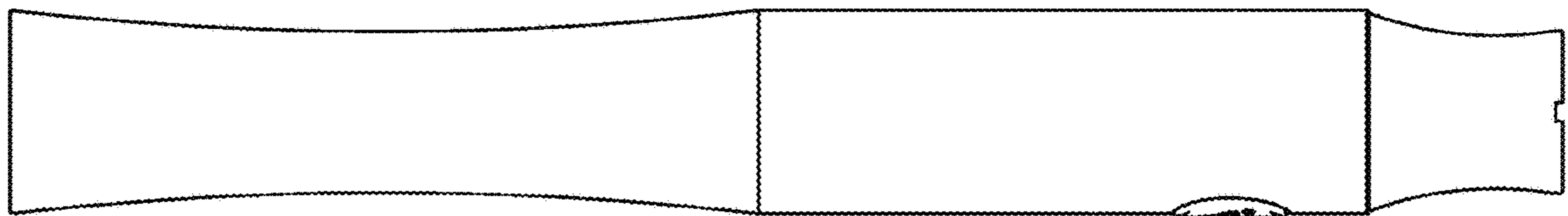


FIG. 6

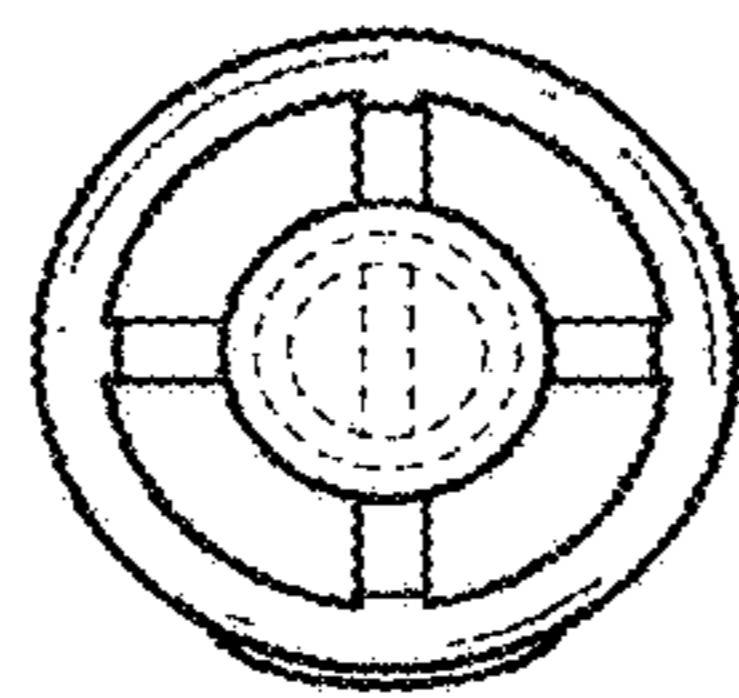


FIG. 7

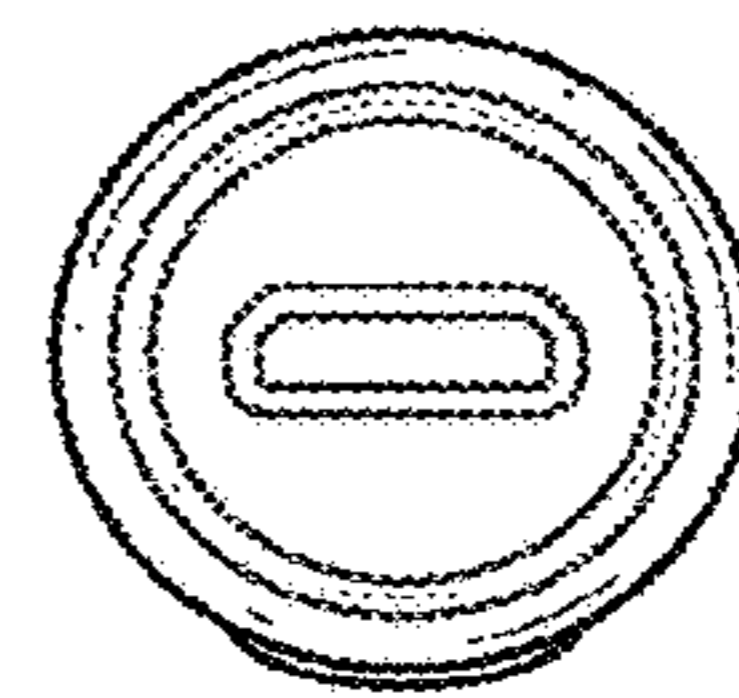


FIG. 8

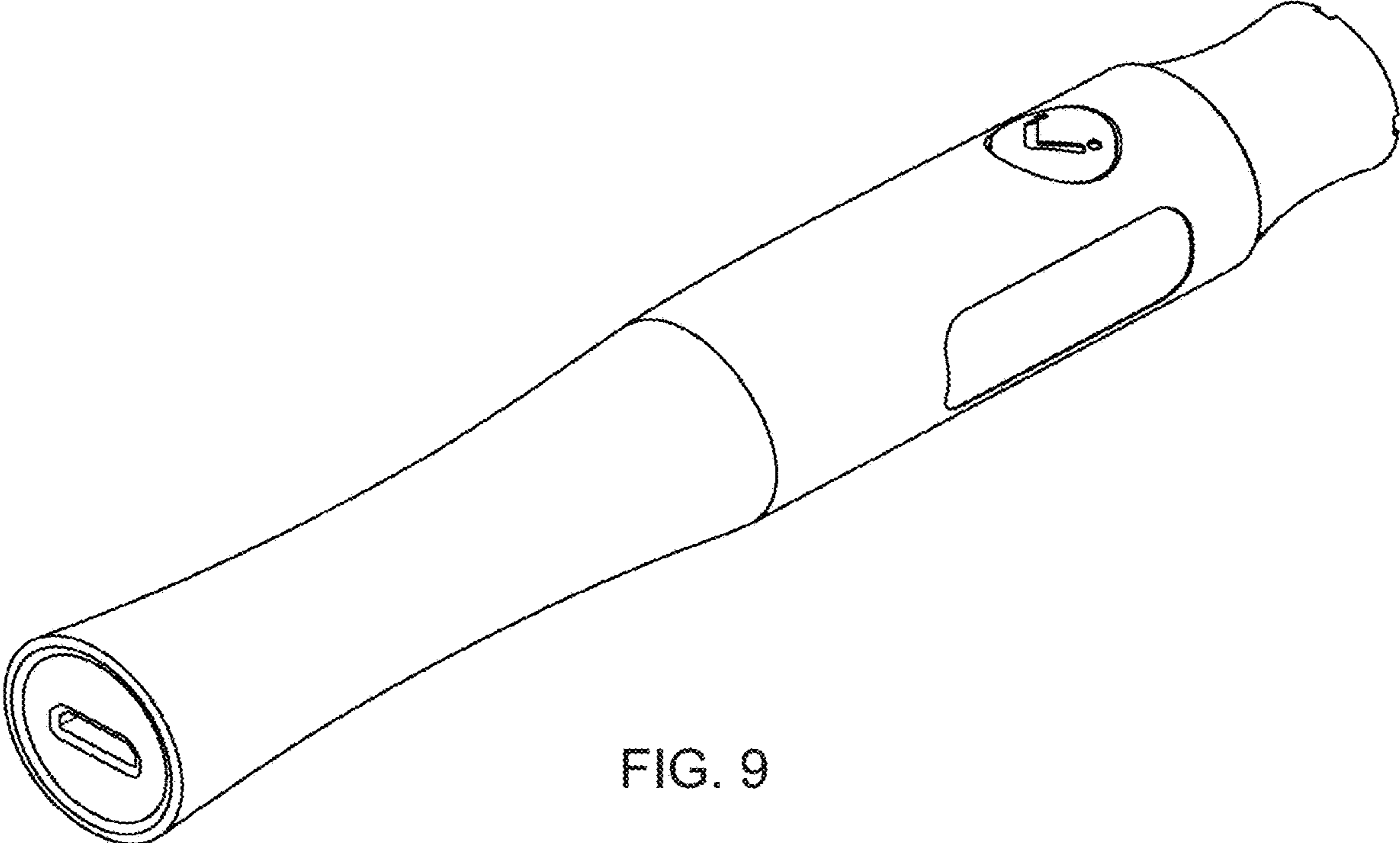


FIG. 9

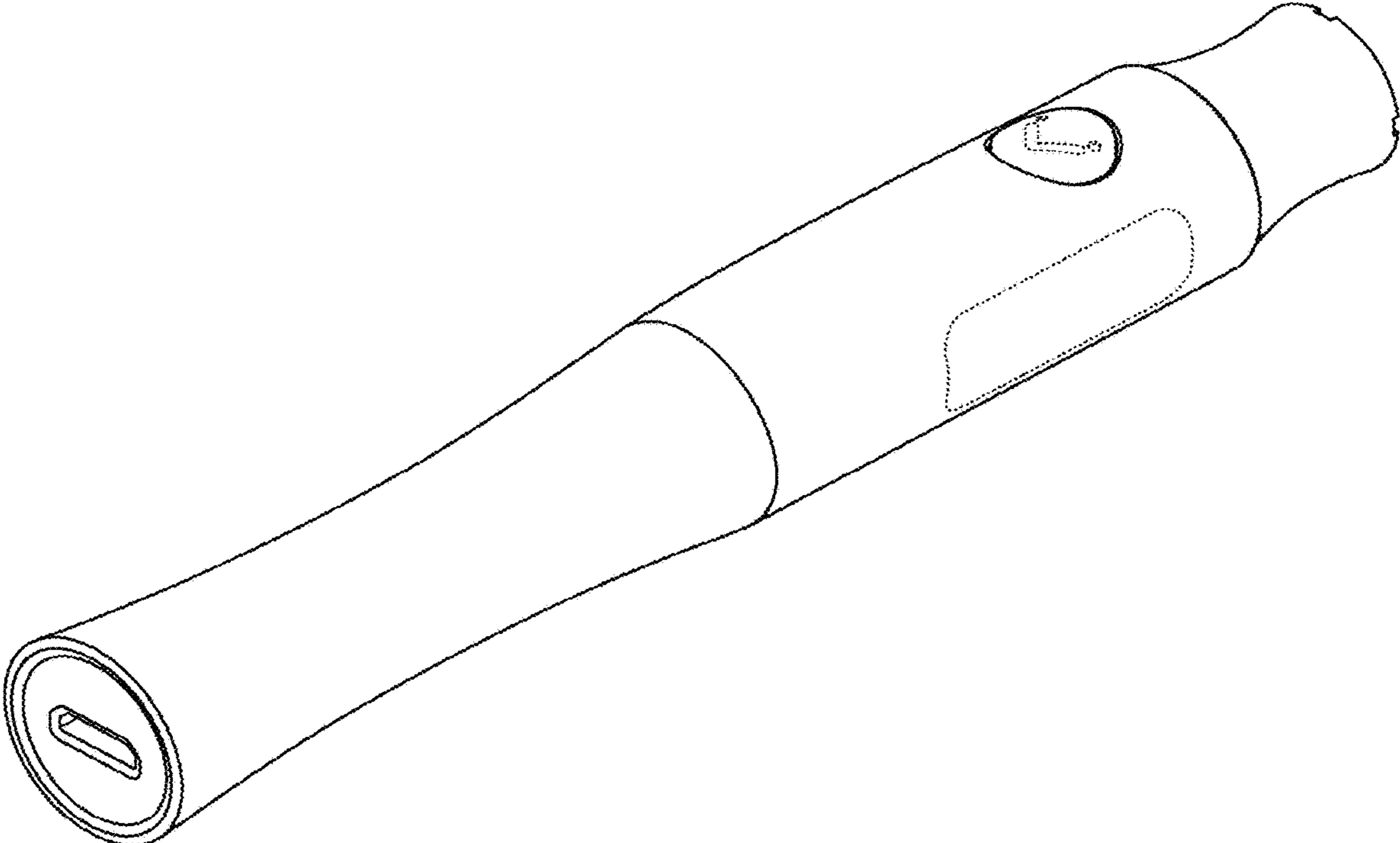


FIG. 10

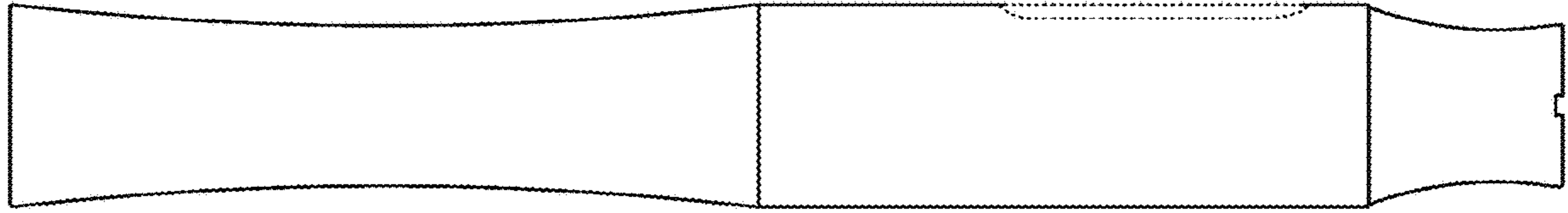


FIG. 11

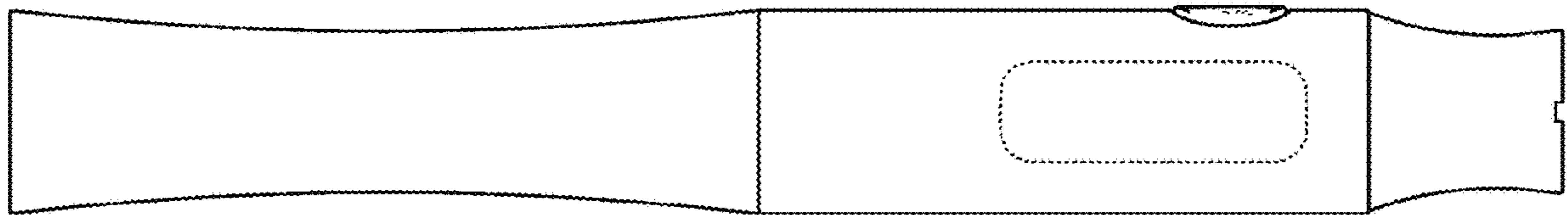


FIG. 12

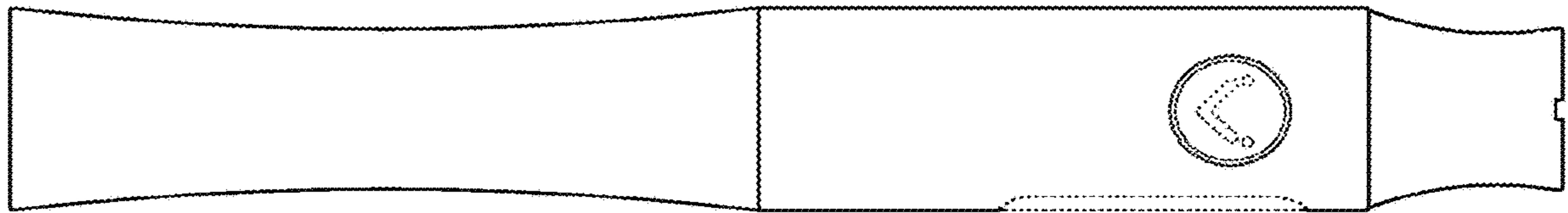


FIG. 13

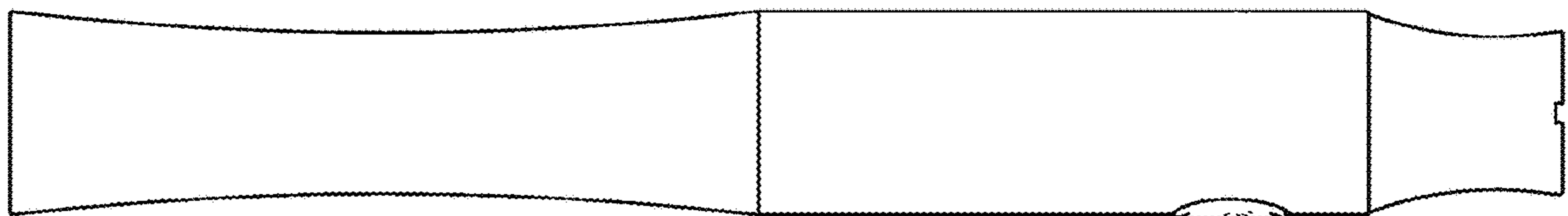


FIG. 14