



US00D951178S

(12) **United States Design Patent** (10) **Patent No.:** **US D951,178 S**
Miller et al. (45) **Date of Patent:** **** May 10, 2022**

- (54) **CHARGE CONTROLLER**
- (71) Applicant: **PulseTech Products Corporation**, Southlake, TX (US)
- (72) Inventors: **Conor Miller**, Bend, OR (US); **Austin Fox**, Southlake, TX (US); **Pete Smith**, Southlake, TX (US); **Feng-Yi Lin**, Taipei (TW)
- (73) Assignee: **PULSETECH PRODUCTS CORPORATION**, Southlake, TX (US)
- (**) Term: **15 Years**
- (21) Appl. No.: **29/748,438**
- (22) Filed: **Aug. 28, 2020**
- (51) **LOC (13) Cl.** **13-02**
- (52) **U.S. Cl.**
USPC **D13/102; D13/110**
- (58) **Field of Classification Search**
USPC D13/101, 102, 103, 107, 108, 110, 118, D13/184, 199
CPC H05K 5/00; H05K 5/02; H05K 5/0247; H05K 7/00; H05K 7/16; H05K 7/20; H05K 7/20136; H05K 7/20154; H05K 7/209; H02J 7/0042; H02J 7/35; H02J 2300/22; H02J 3/383; H02M 7/00; H02M 7/003
See application file for complete search history.

- 2015/0364942 A1* 12/2015 Fu H02J 7/0042 320/101
- 2018/0175663 A1* 6/2018 Wu H02J 7/35
- 2018/0269713 A1* 9/2018 Bead H02J 7/0013
- 2020/0235605 A1* 7/2020 Kanarellis H02J 3/38
- 2022/0029439 A1* 1/2022 Justin G06F 1/263

OTHER PUBLICATIONS

Amazon.com_HQST MPPT Solar Charge Controller ; retrieved on Feb. 15, 2022; 1 pg; https://www.amazon.com/HQST-Controller-Negative-Bluetooth-Regulator/dp/B0989NV7M1/ref=sr_1_11?crd=1MLP006TT57QF&keywords=PulseTech+PT20+20+Amp+Solar+Pulse+Charge+Controller&qid=1644941897&s=lawn-garden&sprefix=pulsetech+pt20+20+amp+sola.*
Amazon.com _ HQST 20 Amp MPPT Solar Charge Controller; retrieved on Feb. 15, 2022; https://www.amazon.com/dp/B082PJ1T3T/ref=sspa_dk_detail_1?psc=1&pd_rd_i=B082PJ1T3T&pd_rd_w=BRYil&pf_rd_p=b9951ce4-3bd8-4b04-9123-0fda35d6155e&pd_rd_wg=xcS8v&pf_rd_r=7TAN6N70F2DZX6E2MB7K&pd_rd_r=2ecccaf-01c7-4d6d-9b92-202ee6f9984d&s=law.*

* cited by examiner

Primary Examiner — Selina Sikder
(74) *Attorney, Agent, or Firm* — Shackelford, Bowen, McKinley & Norton, LLP

(57) **CLAIM**

The ornamental design for a charge controller, as shown and described.

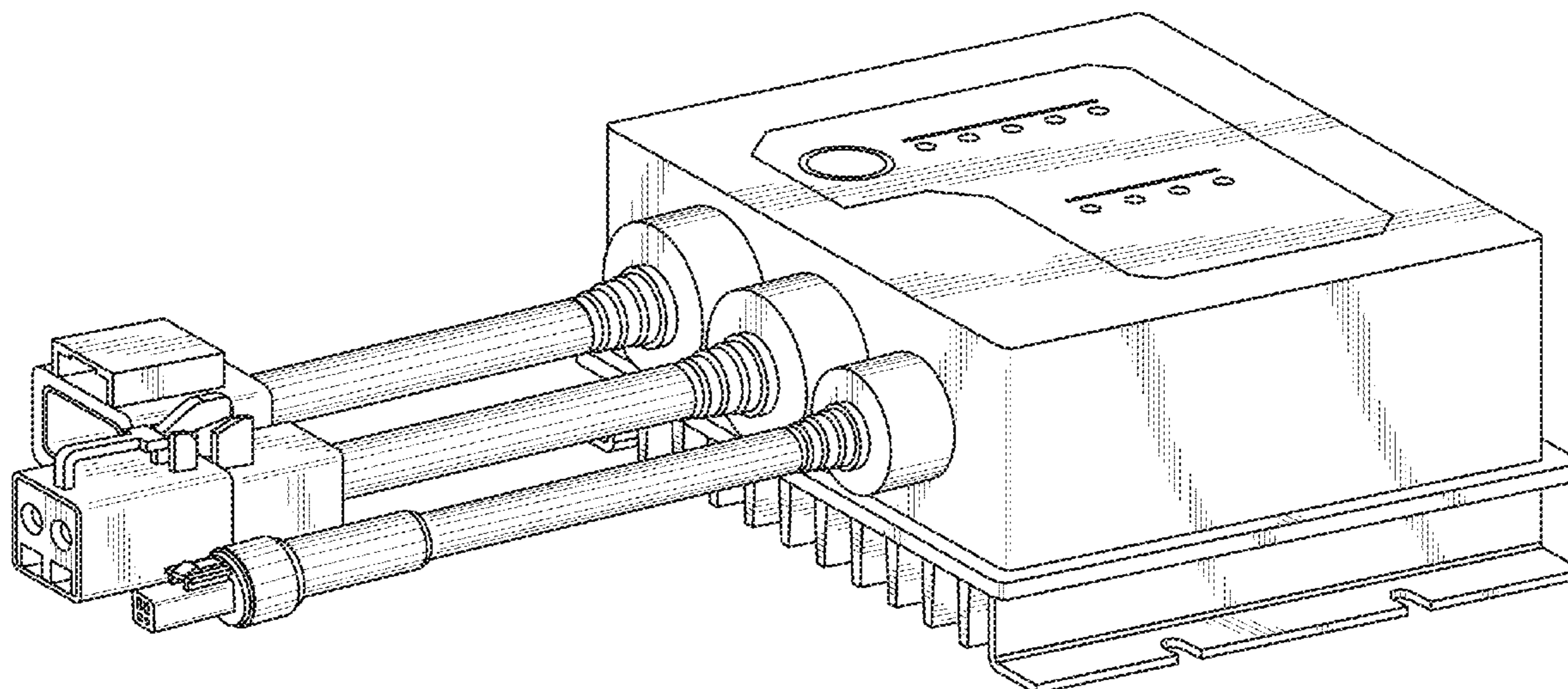
DESCRIPTION

FIG. 1 is a top right perspective view of a charge controller in accordance with the design;
FIG. 2 is a top view thereof;
FIG. 3 is a bottom view thereof;
FIG. 4 is a right-side view thereof;
FIG. 5 is a left-side view thereof;
FIG. 6 is a rear view thereof; and,
FIG. 7 is a front view thereof.

1 Claim, 7 Drawing Sheets

(56) **References Cited**
U.S. PATENT DOCUMENTS

D575,227 S *	8/2008	So	D13/110
D602,432 S *	10/2009	Moussa	D13/110
D655,240 S *	3/2012	Hsu	D13/102
D680,060 S *	4/2013	Gago	D13/102
D687,766 S *	8/2013	Hsu	D13/102
D789,880 S *	6/2017	Li	D13/110
D838,238 S *	1/2019	Wu	D13/102
D853,961 S *	7/2019	Kanarellis	D13/110
D866,463 S *	11/2019	Hui	D13/110



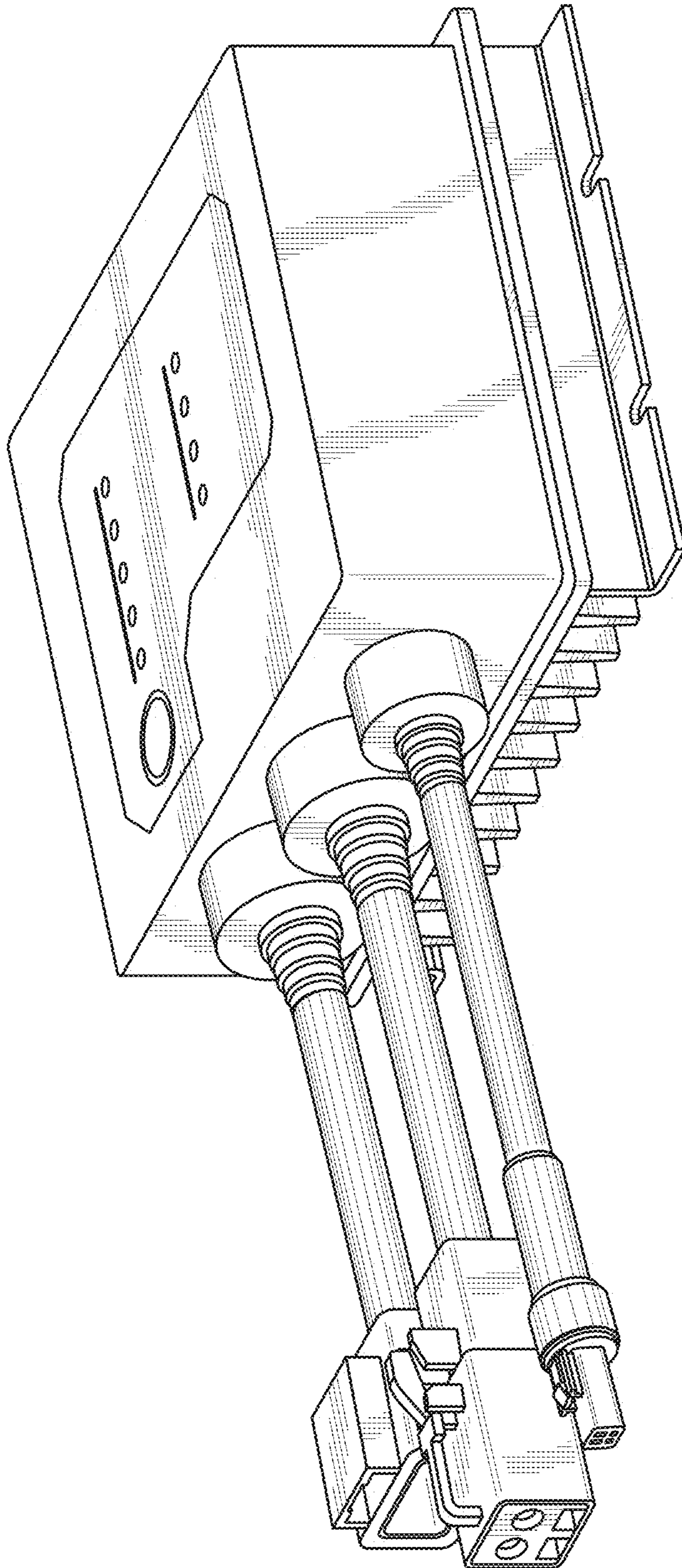


FIG. 1

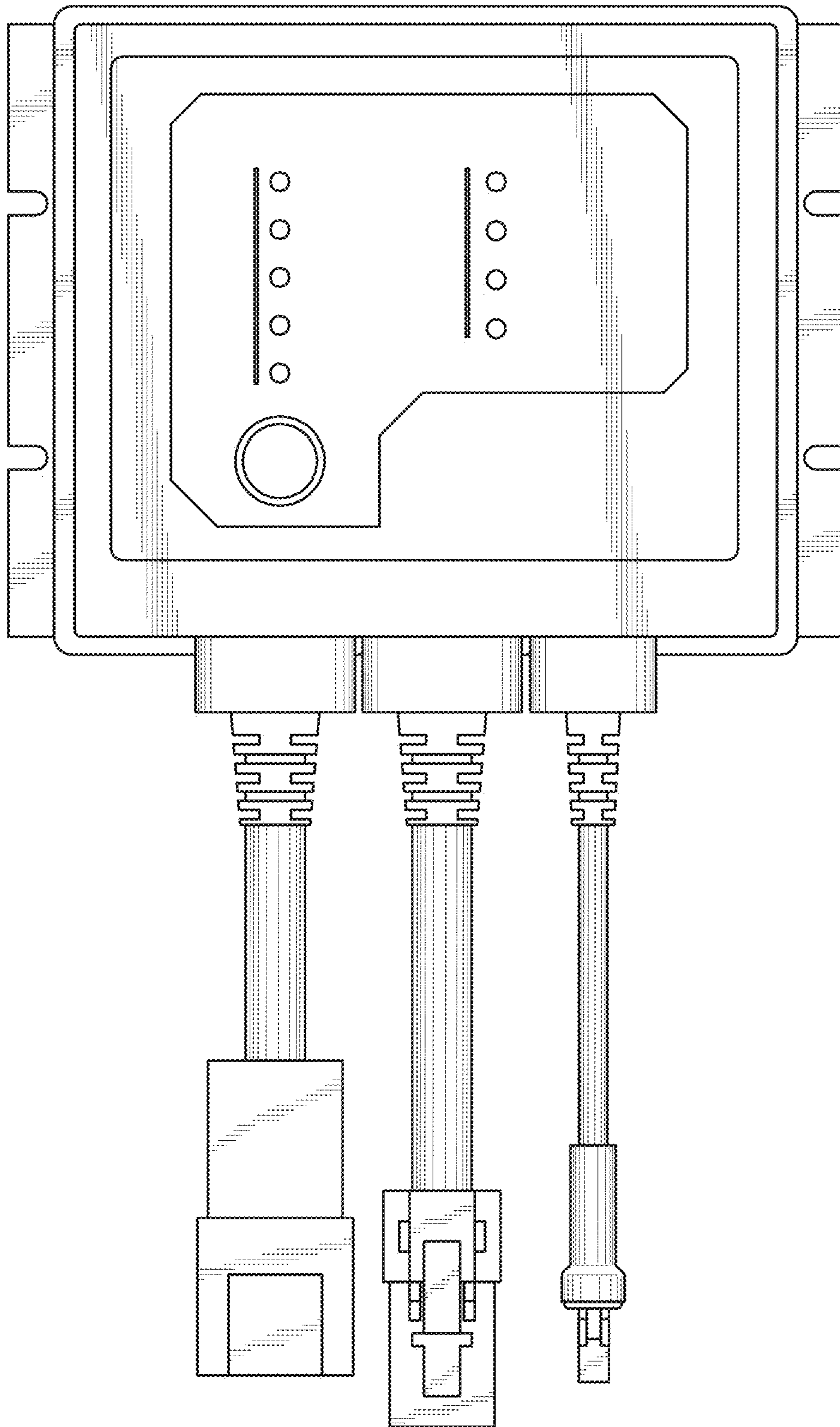


FIG. 2

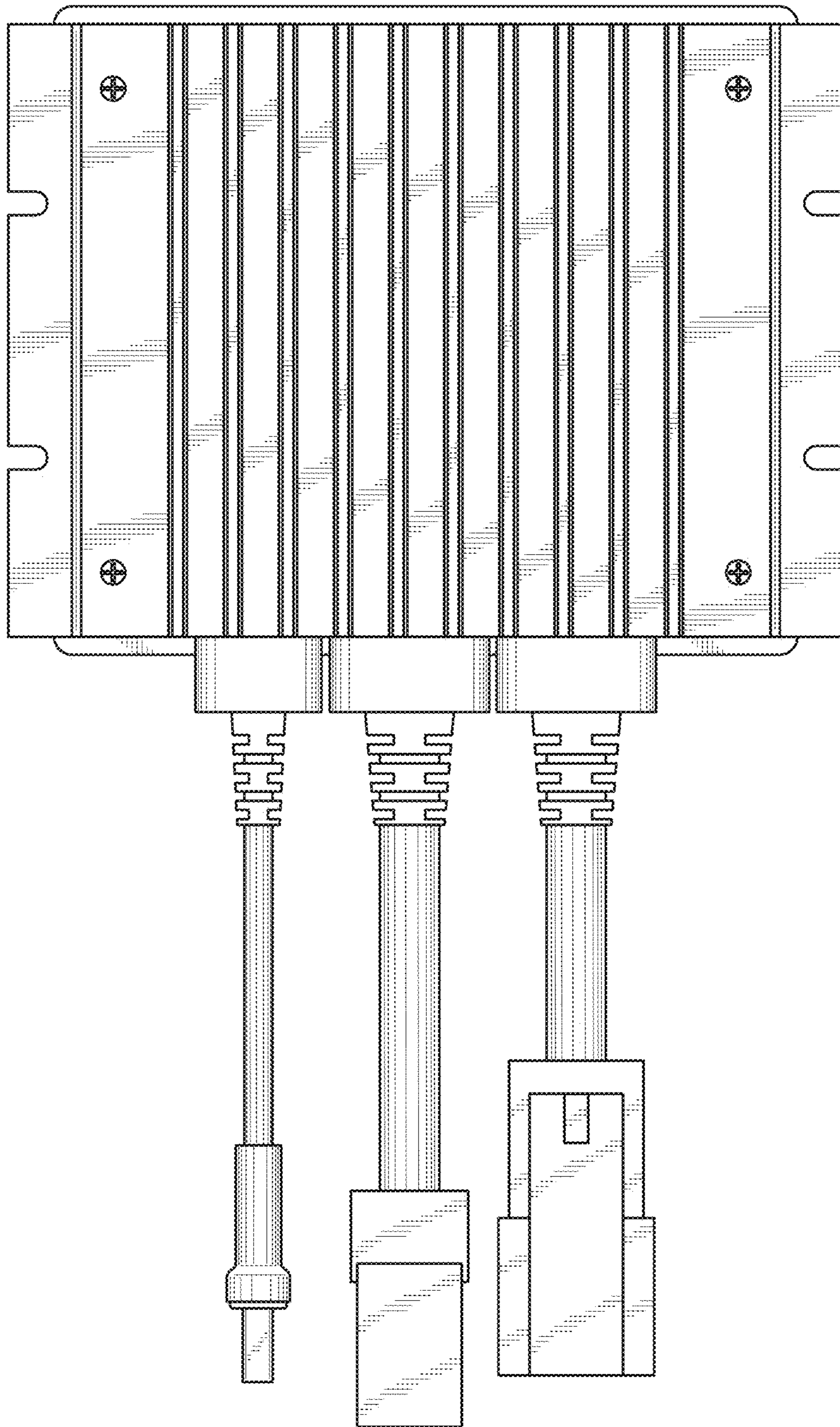


FIG. 3

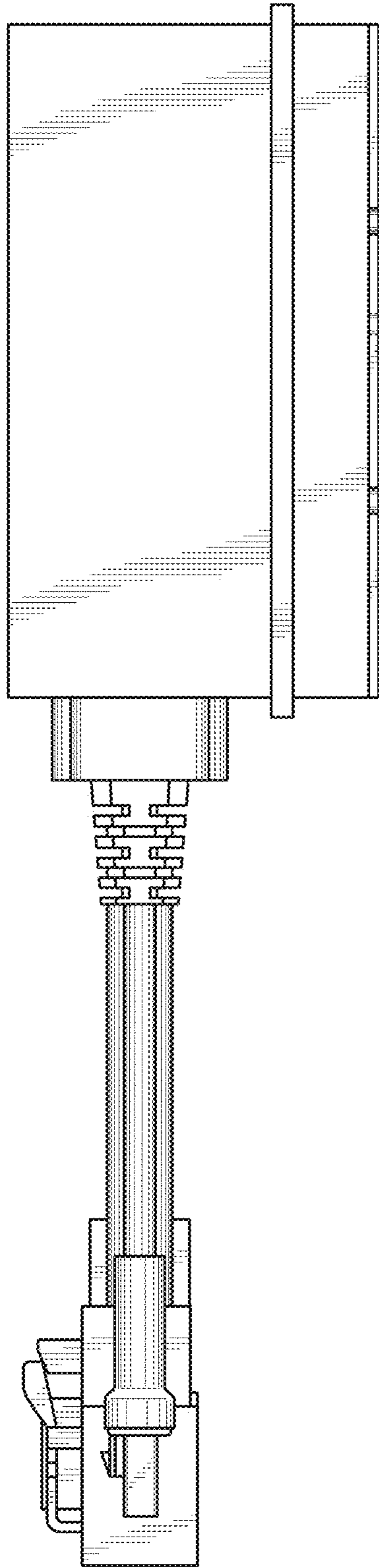


FIG. 4

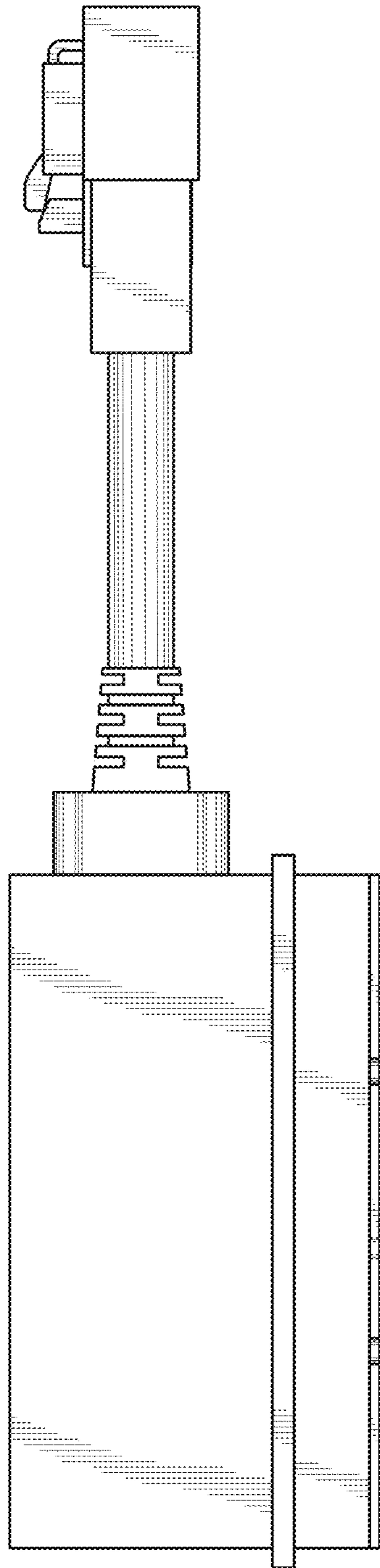


FIG. 5

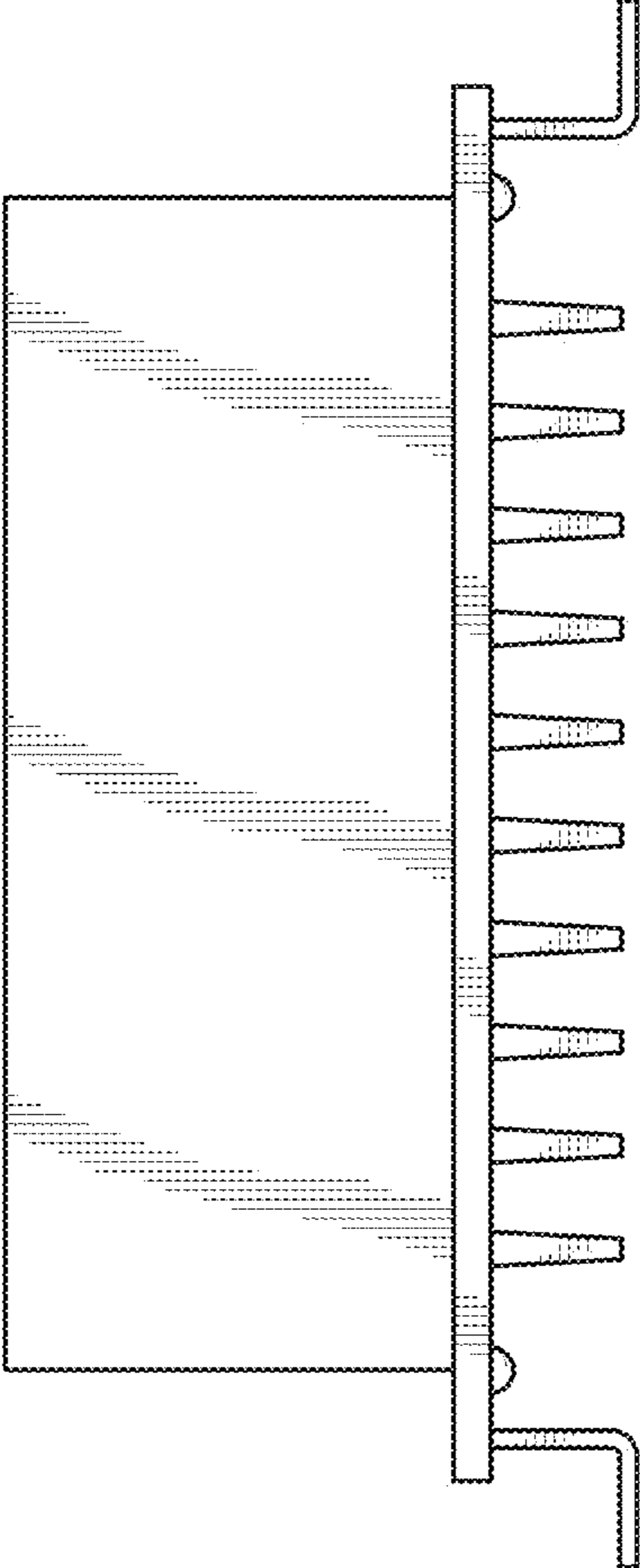


FIG. 6

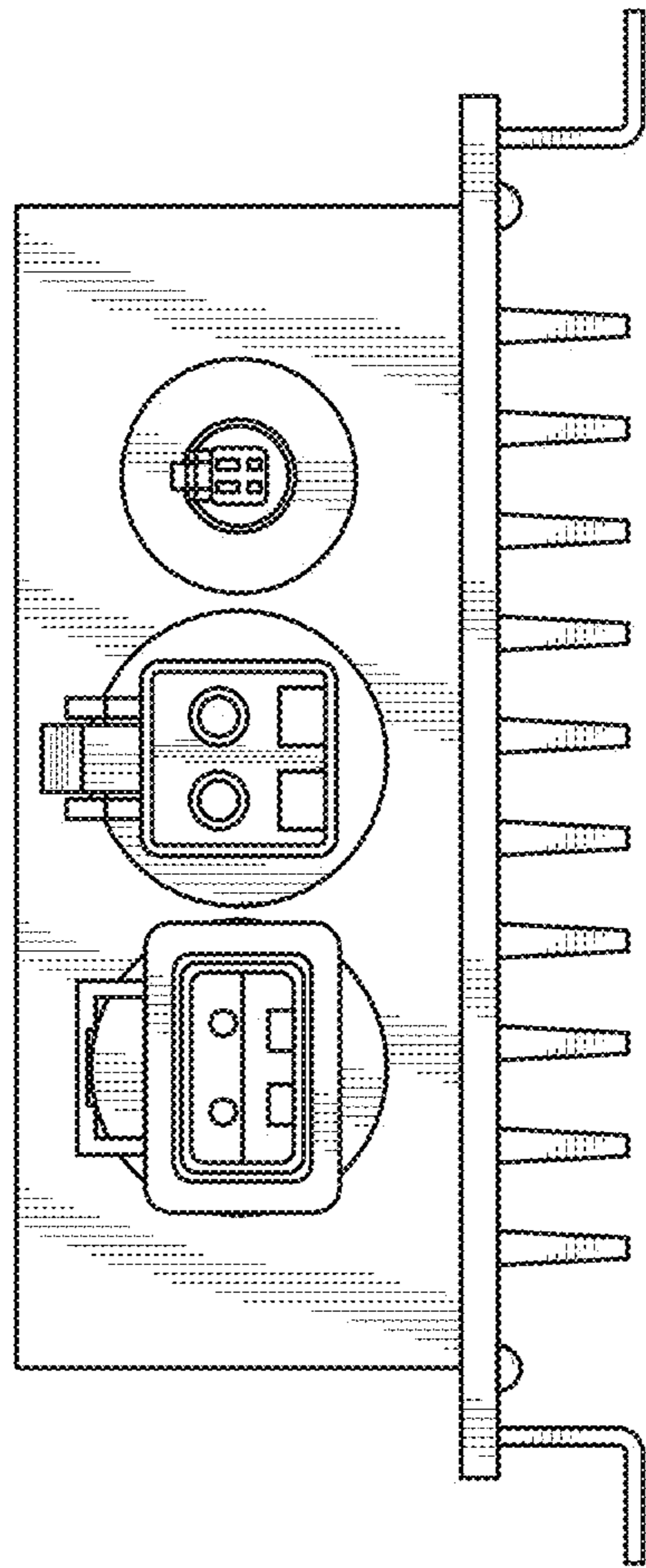


FIG. 7