



US00D951169S

(12) **United States Design Patent** (10) **Patent No.:** **US D951,169 S**
Yu (45) **Date of Patent:** **** May 10, 2022**

(54) **ON-BOARD ARMREST BOX**
(71) Applicant: **Guanghao Yu**, Guangdong (CN)
(72) Inventor: **Guanghao Yu**, Guangdong (CN)
(**) Term: **15 Years**
(21) Appl. No.: **29/778,981**

2021/0300219 A1* 9/2021 Grossman B60N 2/6036
2021/0315382 A1* 10/2021 Hsieh A47C 1/0305
2021/0380027 A1* 12/2021 Kobayashi B60N 2/5883
2022/0009391 A1* 1/2022 Artus B60N 2/787

* cited by examiner

Primary Examiner — Katrina A Betton
(74) *Attorney, Agent, or Firm* — ScienBiziP, P.C.

(22) Filed: **Apr. 15, 2021**
(51) **LOC (13) Cl.** **12-16**
(52) **U.S. Cl.**
USPC **D12/421**
(58) **Field of Classification Search**
USPC D12/421, 415, 416, 419
CPC B60N 2/46
See application file for complete search history.

(57) **CLAIM**

The ornamental design for an on-board armrest box, as shown and described.

(56) **References Cited**

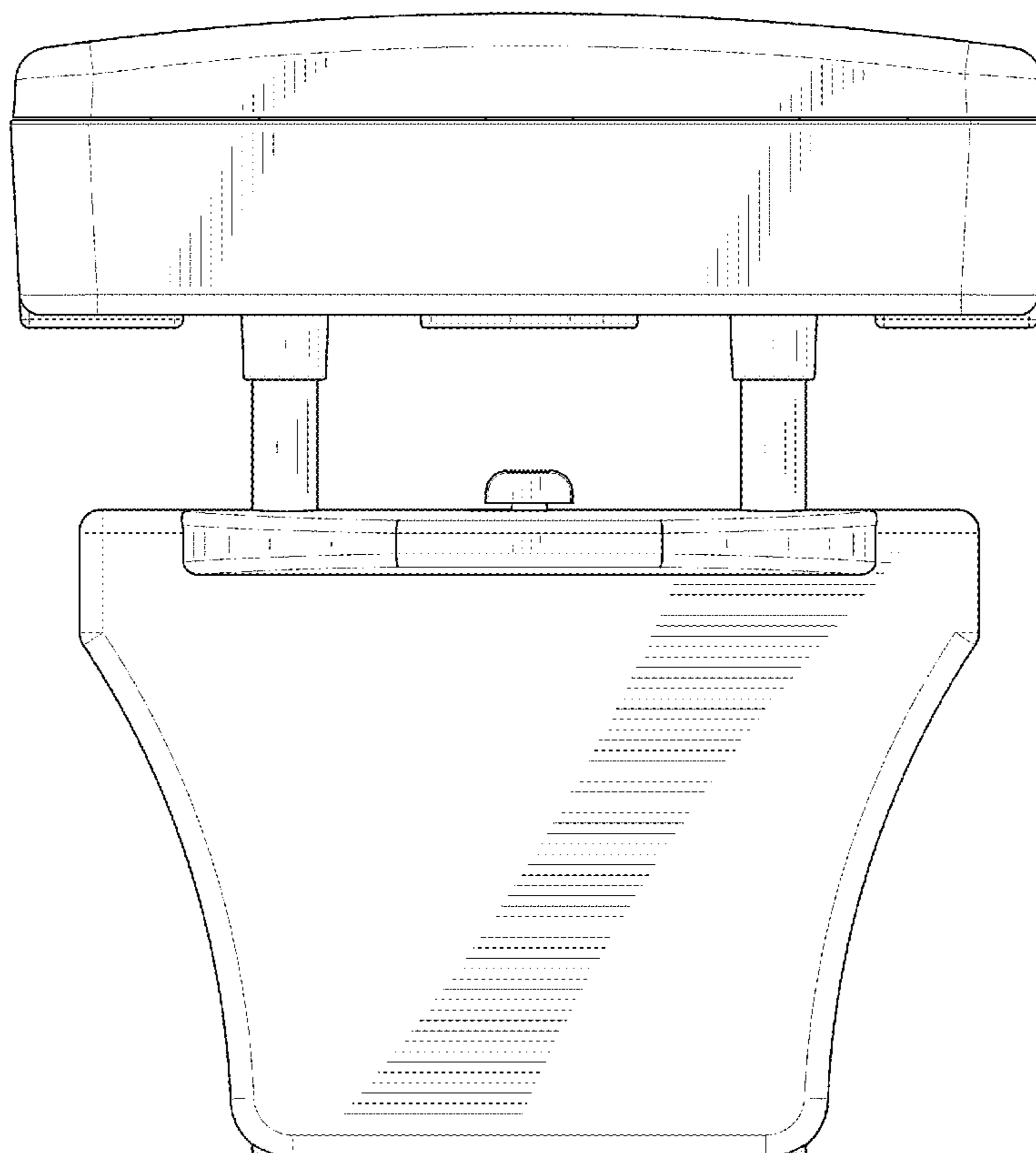
DESCRIPTION

U.S. PATENT DOCUMENTS

D502,910 S * 3/2005 Klopp, III D12/421
D535,937 S * 1/2007 Vitito D12/421
D742,301 S * 11/2015 Kasparian D12/421
D758,952 S * 6/2016 Erhel D12/421
D840,917 S * 2/2019 Brooks D12/421
D856,264 S 8/2019 Kemerer
D884,578 S 3/2020 Guo
D917,376 S * 4/2021 Lee D12/421
D929,310 S * 8/2021 Kang D12/421
D938,343 S * 12/2021 Oliveira Andersson D15/28
2021/0274940 A1* 9/2021 Hsieh F16D 63/006

FIG. 1 is a front, right, and top perspective view of an on-board armrest box, showing my design.
FIG. 2 is a front elevation view thereof.
FIG. 3 is a rear elevation view thereof.
FIG. 4 is a left side elevation view thereof.
FIG. 5 is a right side elevation view thereof.
FIG. 6 is a top plan view thereof.
FIG. 7 is a bottom plan view thereof; and,
FIG. 8 is a front, right, and top perspective view of the on-board armrest box of FIG. 1, wherein a box is opened. The broken lines shown in the drawings are included for the purpose of illustrating portions of the on-board armrest box that form no part of the claimed design.

1 Claim, 8 Drawing Sheets



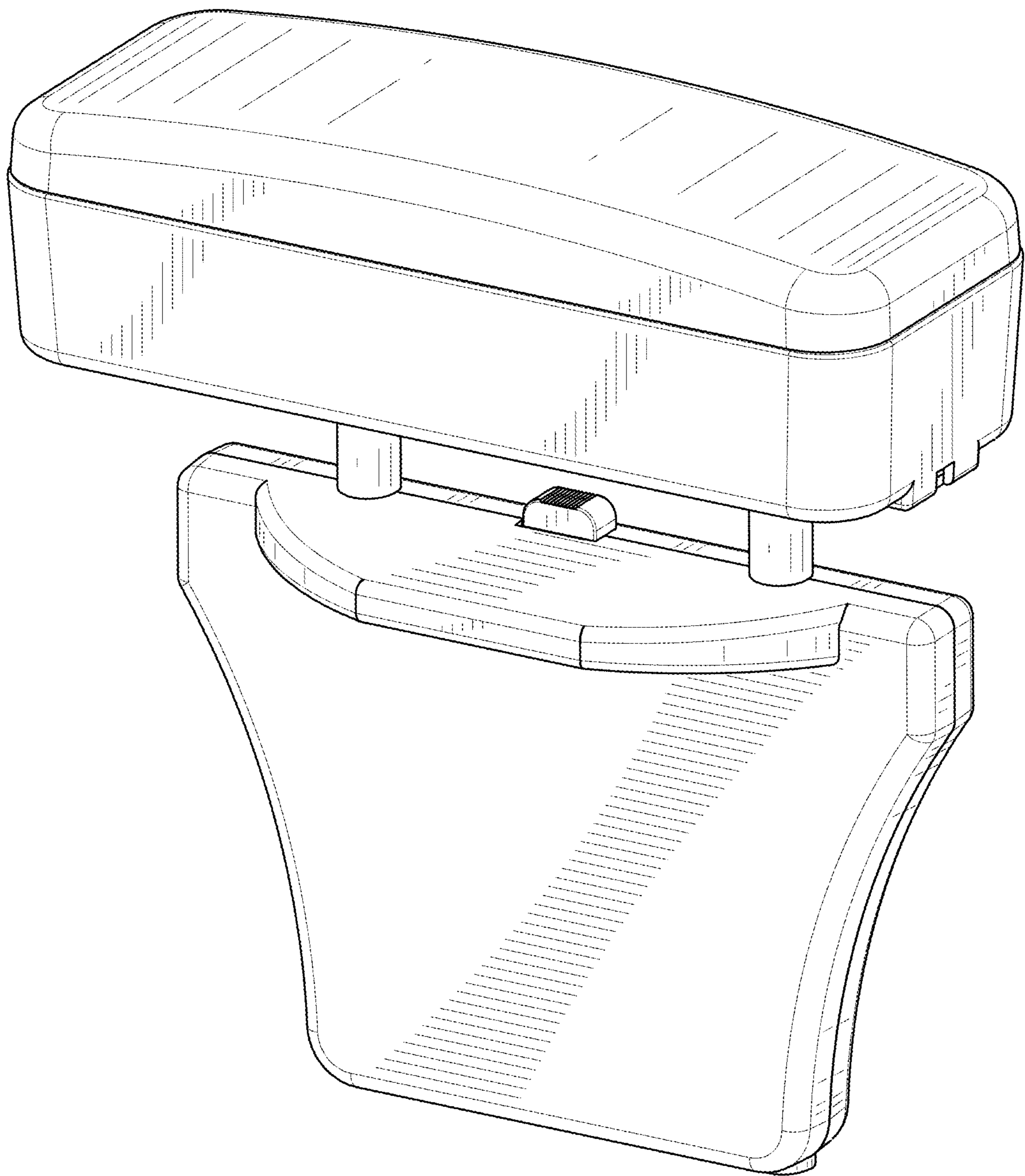


FIG. 1

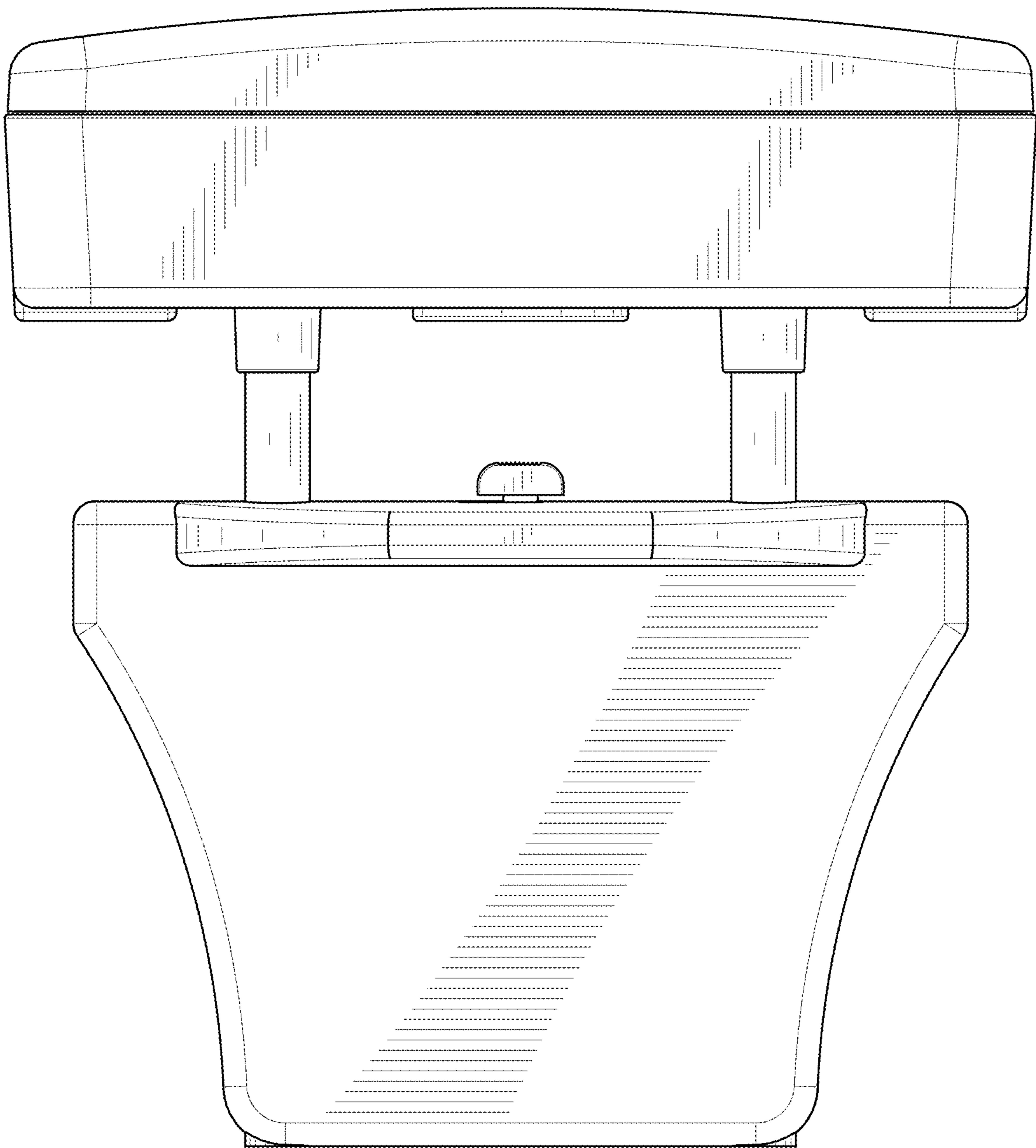


FIG.2

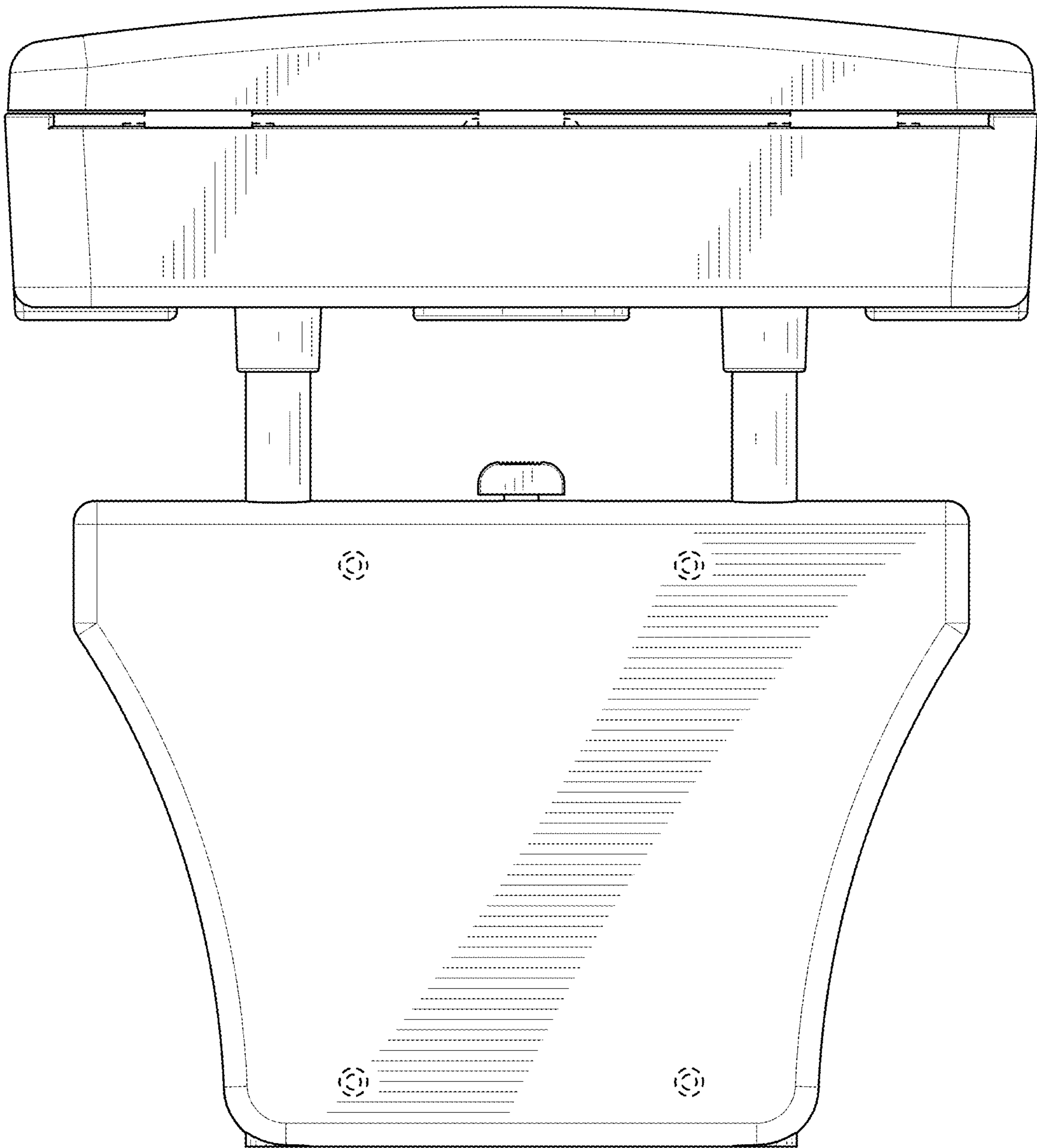


FIG.3

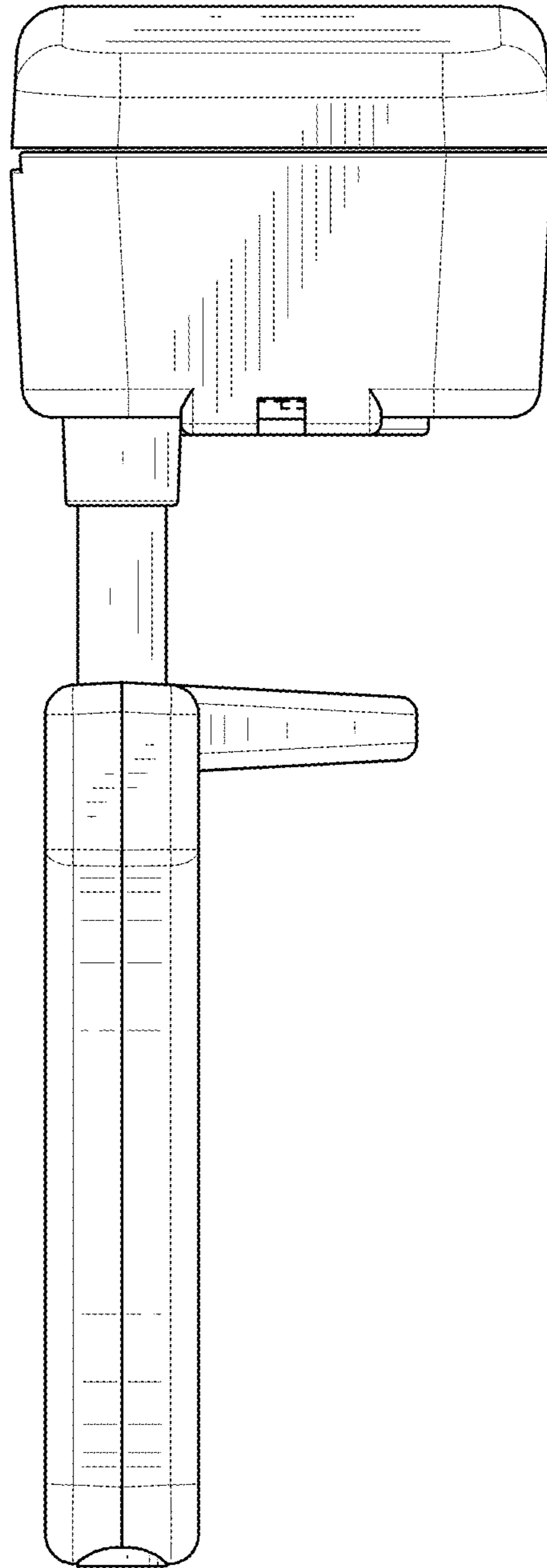


FIG.4

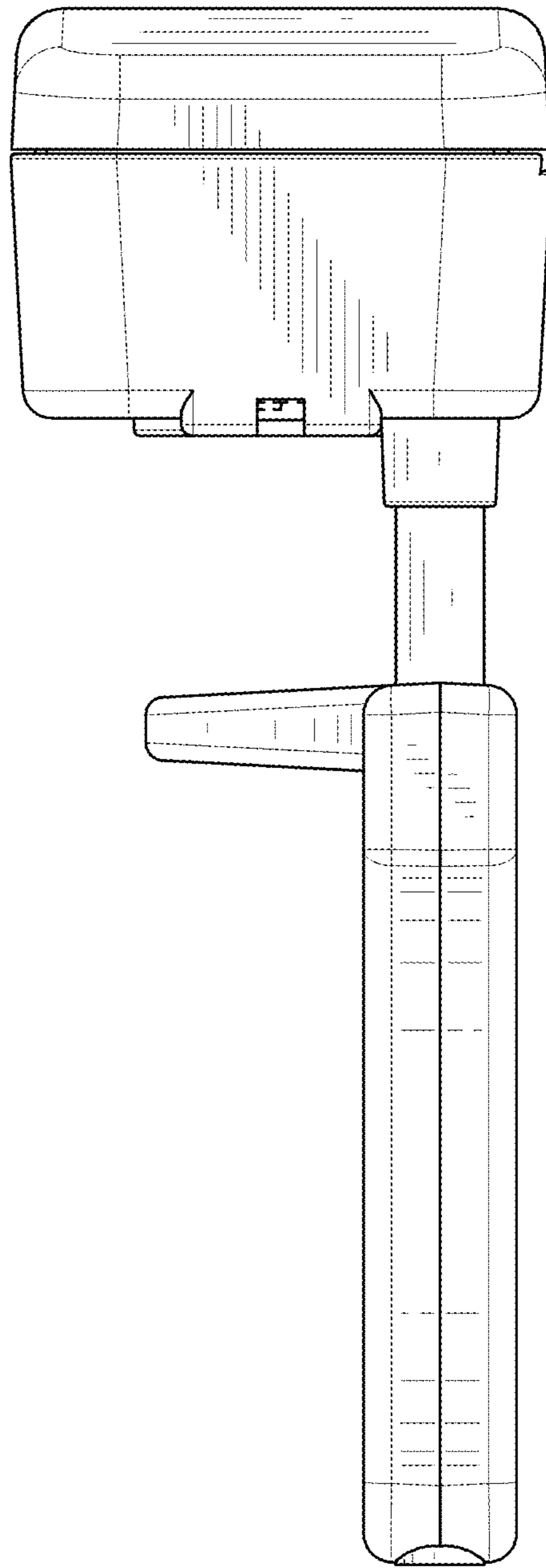


FIG.5

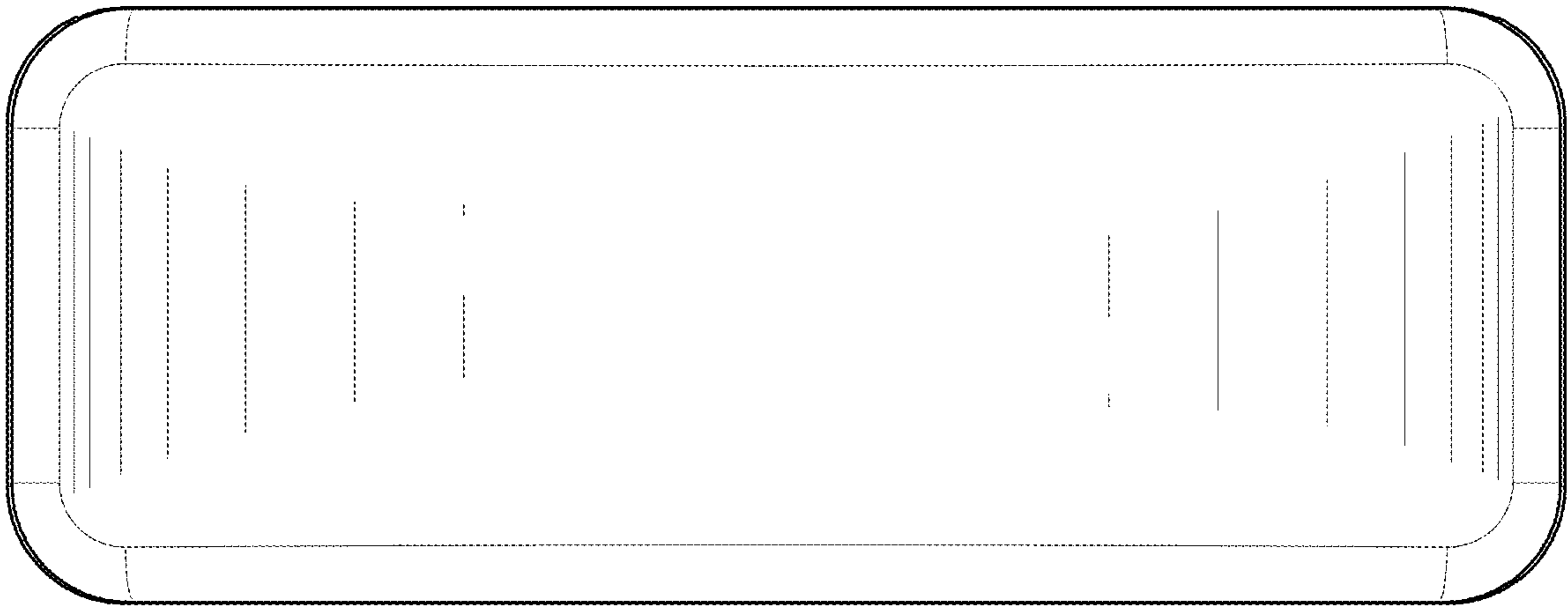


FIG.6

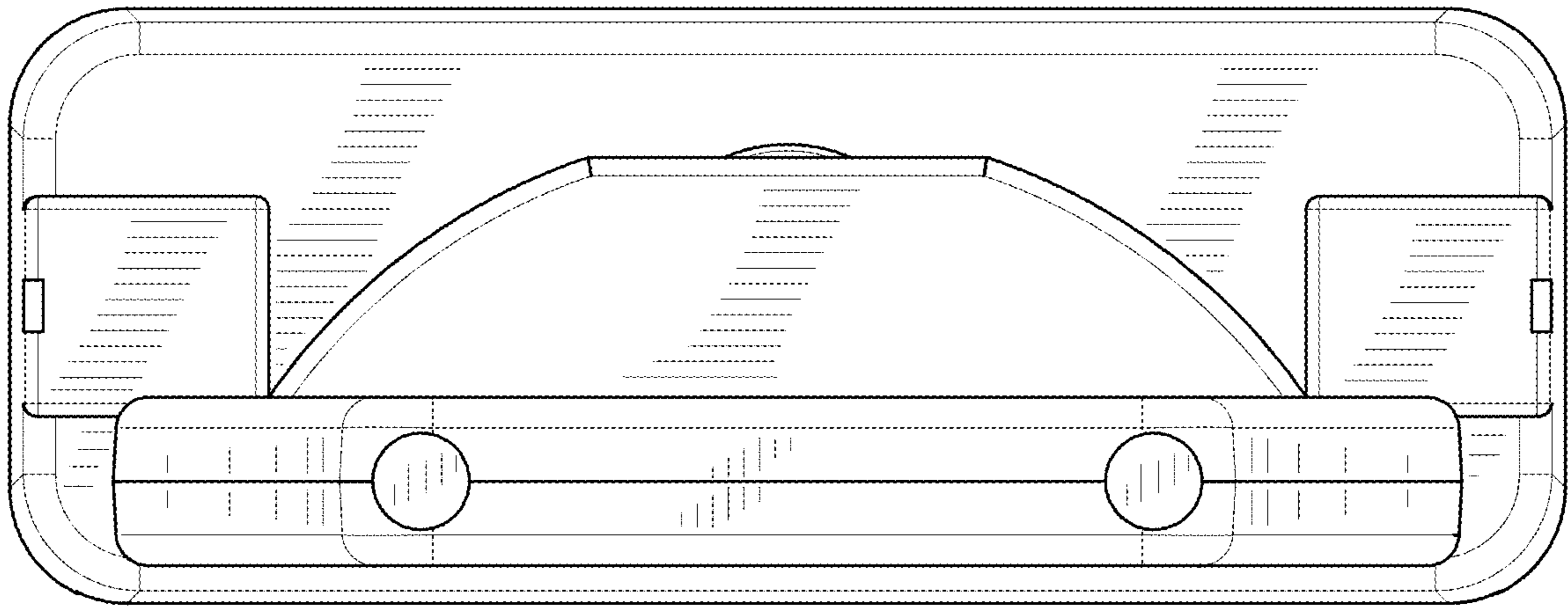


FIG.7

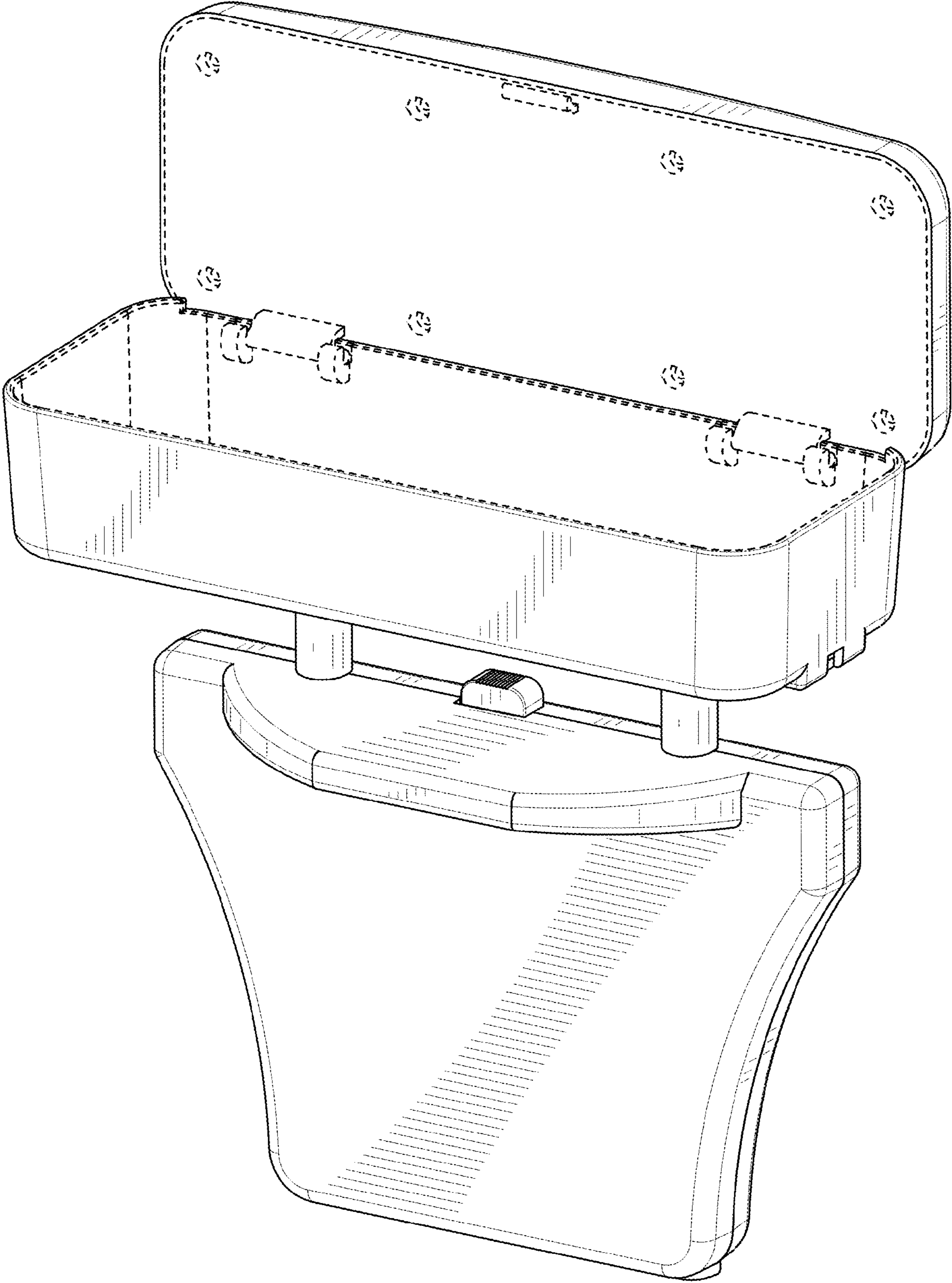


FIG.8