



US00D951168S

(12) **United States Design Patent** (10) **Patent No.:** **US D951,168 S**
Abellera et al. (45) **Date of Patent:** **** May 10, 2022**

(54) **REMOTE CONTROL FOR A MARINE VESSEL**

(71) Applicant: **Brunswick Corporation**, Mettawa, IL (US)

(72) Inventors: **Ryan C. Abellera**, Fond du Lac, WI (US); **Todd D. Dannenberg**, Fond du Lac, WI (US)

(73) Assignee: **Brunswick Corporation**, Mettawa, IL (US)

(**) Term: **15 Years**

(21) Appl. No.: **29/757,010**

(22) Filed: **Nov. 2, 2020**

(51) **LOC (13) Cl.** **12-06**

(52) **U.S. Cl.**
USPC **D12/317; D13/168**

(58) **Field of Classification Search**
USPC D13/162, 168; D10/49; D12/174, 317
CPC B63H 21/21; B63H 21/213; B63H 21/26; B63H 21/265
See application file for complete search history.

(56) **References Cited**

U.S. PATENT DOCUMENTS

- 5,967,867 A * 10/1999 Rinzaki B63H 21/213 440/84
- 6,280,269 B1 * 8/2001 Gaynor B63B 49/00 440/84
- D497,347 S * 10/2004 Iekura D13/168
- D502,148 S * 2/2005 Iekura D13/168
- D510,311 S * 10/2005 Rick D12/317
- D510,556 S * 10/2005 Rick D12/317
- D510,557 S * 10/2005 Rick D12/317
- D510,558 S * 10/2005 Rick D12/317
- 6,979,278 B2 * 12/2005 Rick B63H 21/213 477/111
- D554,080 S * 10/2007 Iekura D13/168

- D554,596 S * 11/2007 Iekura D13/168
- D592,605 S * 5/2009 Iekura D13/168
- D663,252 S * 7/2012 Bondesson D12/317
- D663,253 S * 7/2012 Bondesson D12/317
- D689,423 S * 9/2013 Park D12/317
- D689,424 S * 9/2013 Park D12/317
- D710,781 S * 8/2014 Park D12/317
- D746,758 S * 1/2016 Dannenberg D12/317
- D834,492 S * 11/2018 Uchiyama D12/317
- D834,493 S * 11/2018 Uchiyama D12/317

(Continued)

OTHER PUBLICATIONS

Mercury marine.com, "Single Engine Controls", <https://www.mercurymarine.com/en/us/gauges-and-controls/single-engine-controls/>, website last visited Oct. 20, 2020.

(Continued)

Primary Examiner — Selina Sikder

(74) *Attorney, Agent, or Firm* — Andrus Intellectual Property Law, LLP

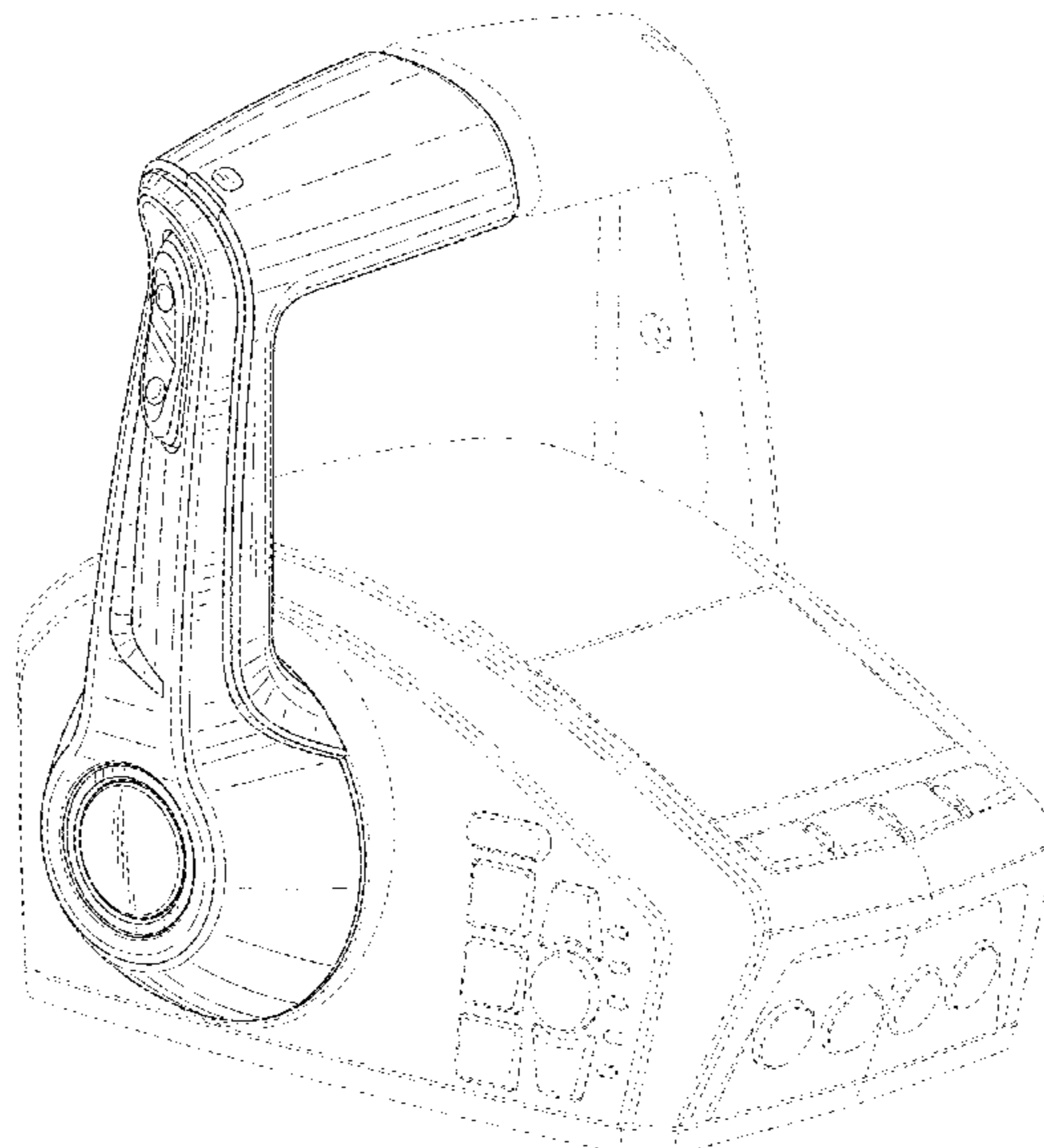
(57) **CLAIM**

The ornamental design for a remote control for a marine vessel, as shown and described.

DESCRIPTION

FIG. 1 is a rear perspective view of a remote control for a marine vessel according to our new and ornamental design; FIG. 2 is a side view thereof; FIG. 3 is an opposite side view thereof; FIG. 4 is a rear view thereof; FIG. 5 is a front view thereof; FIG. 6 is a top view thereof; and, FIG. 7 is a bottom view thereof. The broken lines illustrate the aspects of the remote control for a marine vessel that are not part of the claimed design.

1 Claim, 7 Drawing Sheets



(56)

References Cited

U.S. PATENT DOCUMENTS

D901,367 S * 11/2020 Ohashi D12/317
D905,613 S * 12/2020 Ohashi D12/317
D928,692 S * 8/2021 Richards D12/317
2005/0090368 A1* 4/2005 Rick B63H 21/213
477/111
2007/0249244 A1* 10/2007 Watanabe B63H 21/213
440/84
2018/0244362 A1* 8/2018 Nolan B63H 25/42

OTHER PUBLICATIONS

Mercury marine.com, "Single Engine Controls: Side Mount", <https://www.mercurymarine.com/en/us/gauges-and-controls/single-engine-controls/side-mount/>, website last visited Oct. 20, 2020.
Mercury marine.com, "Single Engine Controls: Console Mount", [https://www.mercurymarine.com/en/us/gauges-and-controls/single-](https://www.mercurymarine.com/en/us/gauges-and-controls/single-engine-controls/console-mount/)

[engine-controls/console-mount/](https://www.mercurymarine.com/en/us/gauges-and-controls/single-engine-controls/console-mount/), website last visited Oct. 20, 2020.
Mercury marine.com, "Single Engine Controls: Flush/Panel Mount", <https://www.mercurymarine.com/en/us/gauges-and-controls/single-engine-controls/flushpanel-mount/>, website last visited Oct. 20, 2020.

Mercury marine.com, "Multiple Engine Controls", <https://www.mercurymarine.com/en/us/gauges-and-controls/multiple-engine-controls/>, website last visited Oct. 20, 2020.

Mercury marine.com, "Multiple Engine Controls: Console Mount", <https://www.mercurymarine.com/en/us/gauges-and-controls/multiple-engine-controls/console-mount/>, website last visited Oct. 20, 2020.

Mercury marine.com, "Multiple Engine Controls: Yacht Controls", <https://www.mercurymarine.com/en/us/gauges-and-controls/multiple-engine-controls/yacht-controls/>, website last visited Oct. 20, 2020.

Mercury marine.com, "Multiple Engine Controls: Joystick Control", <https://www.mercurymarine.com/en/us/gauges-and-controls/multiple-engine-controls/joystick-control/>, website last visited Oct. 20, 2020.

* cited by examiner

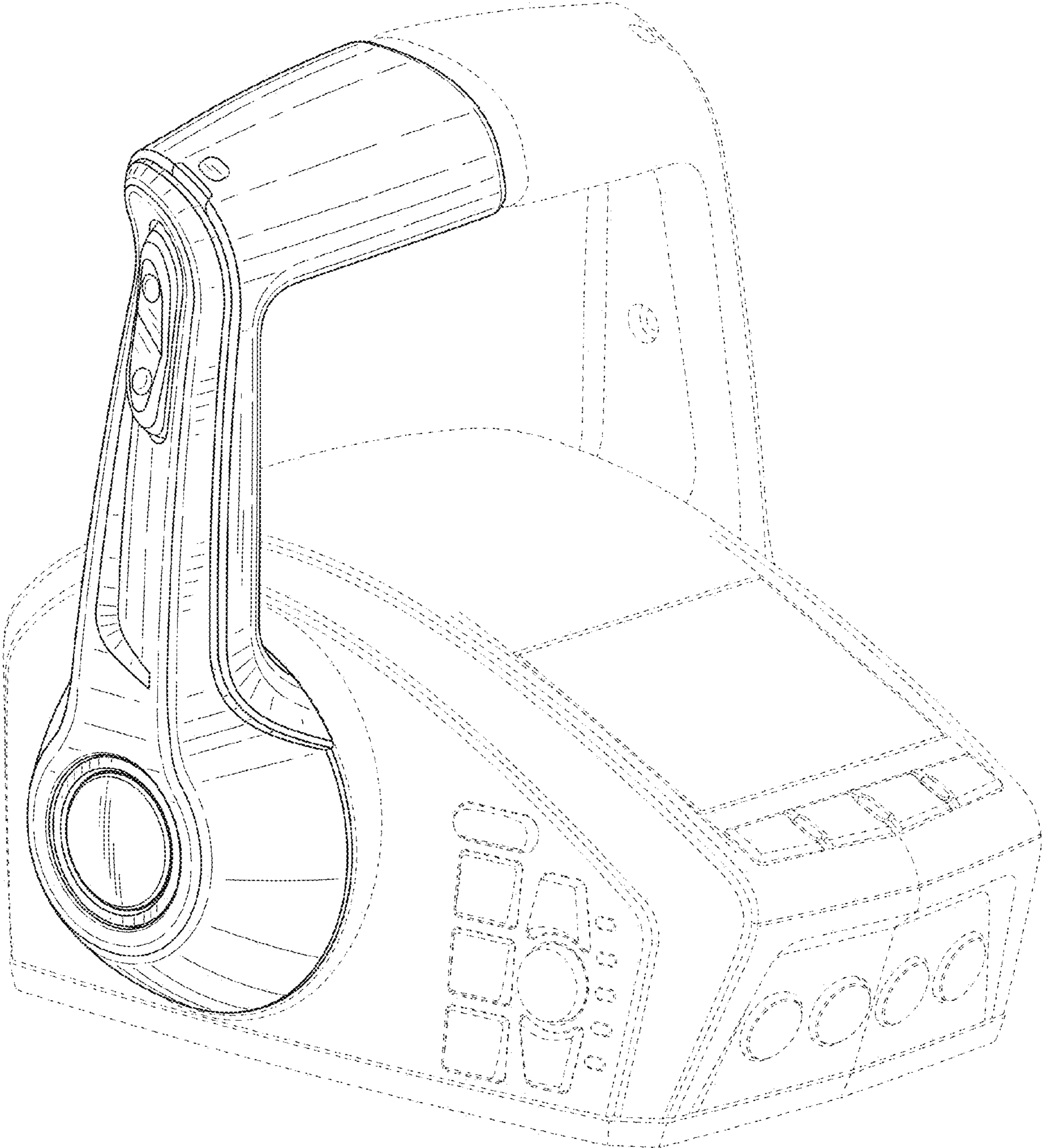


FIG. 1

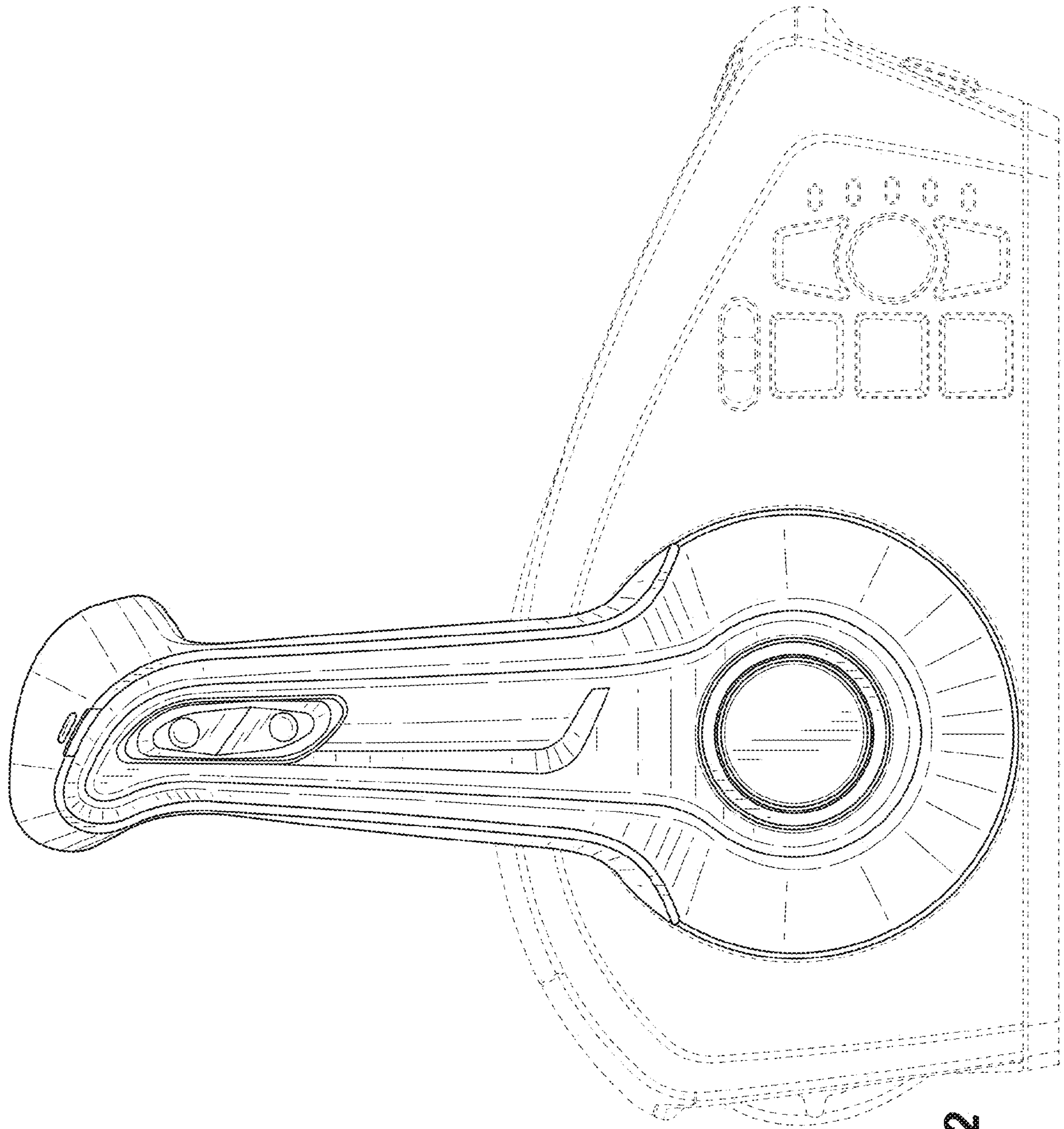


FIG. 2

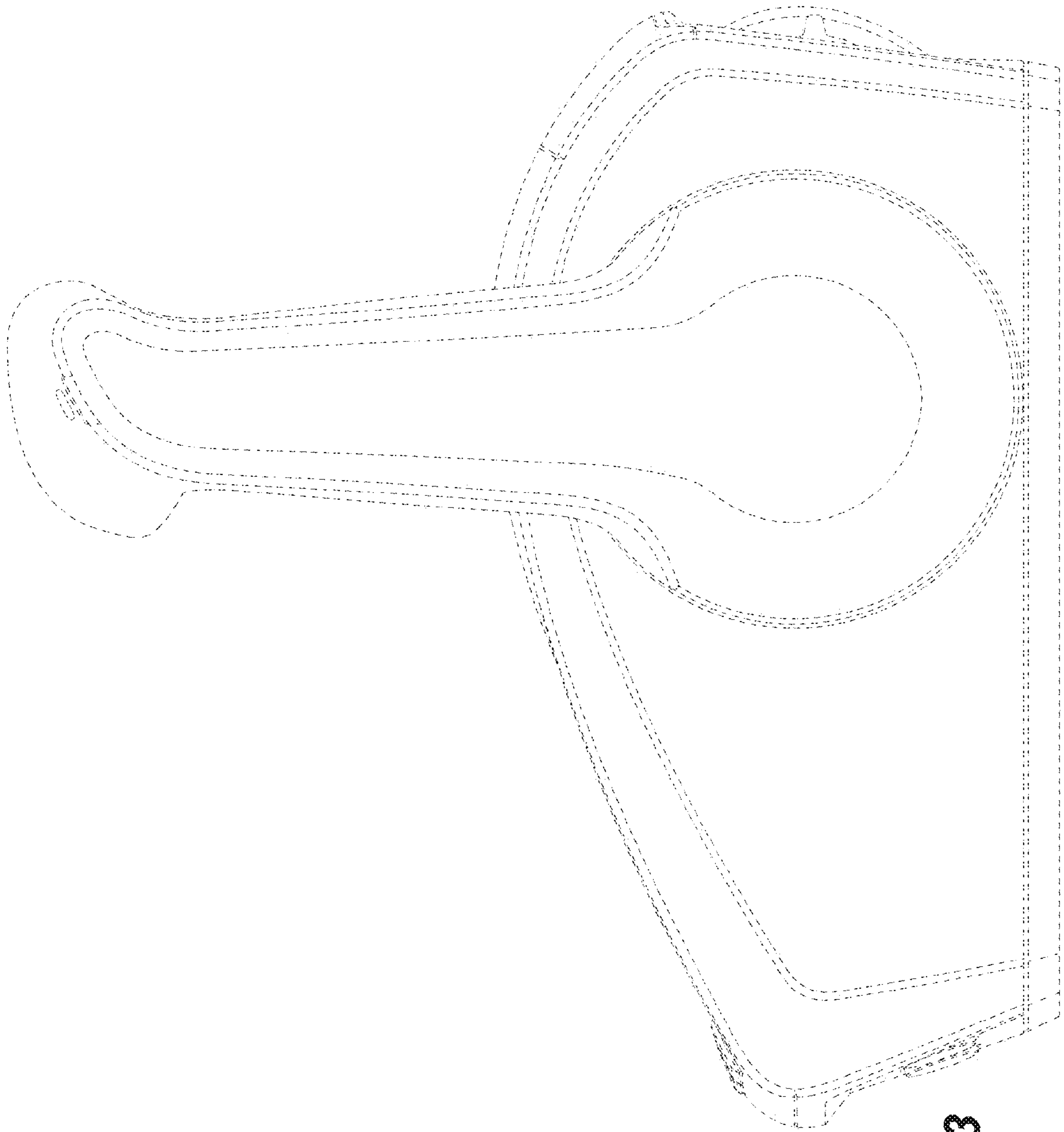


FIG. 3

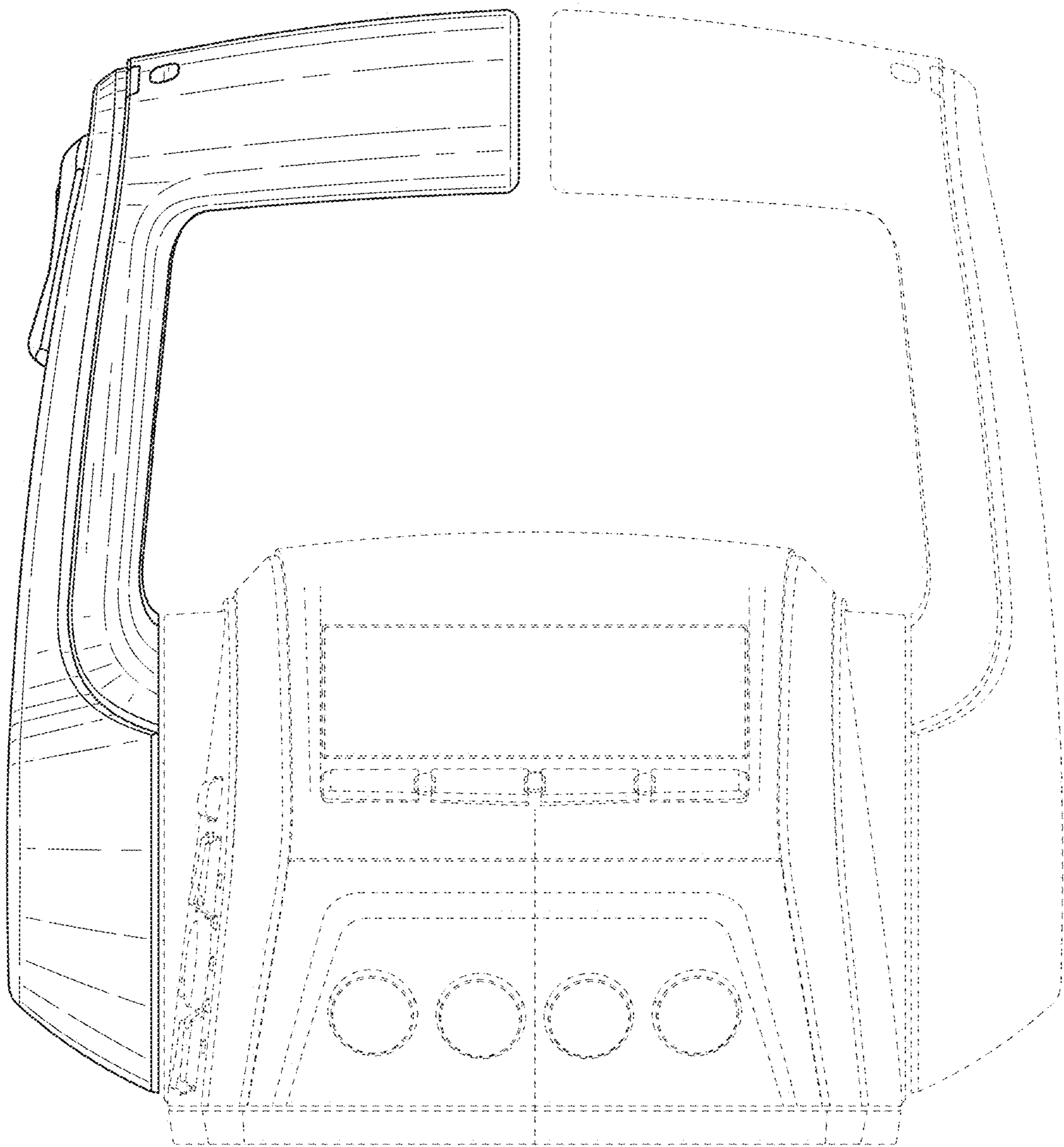


FIG. 4

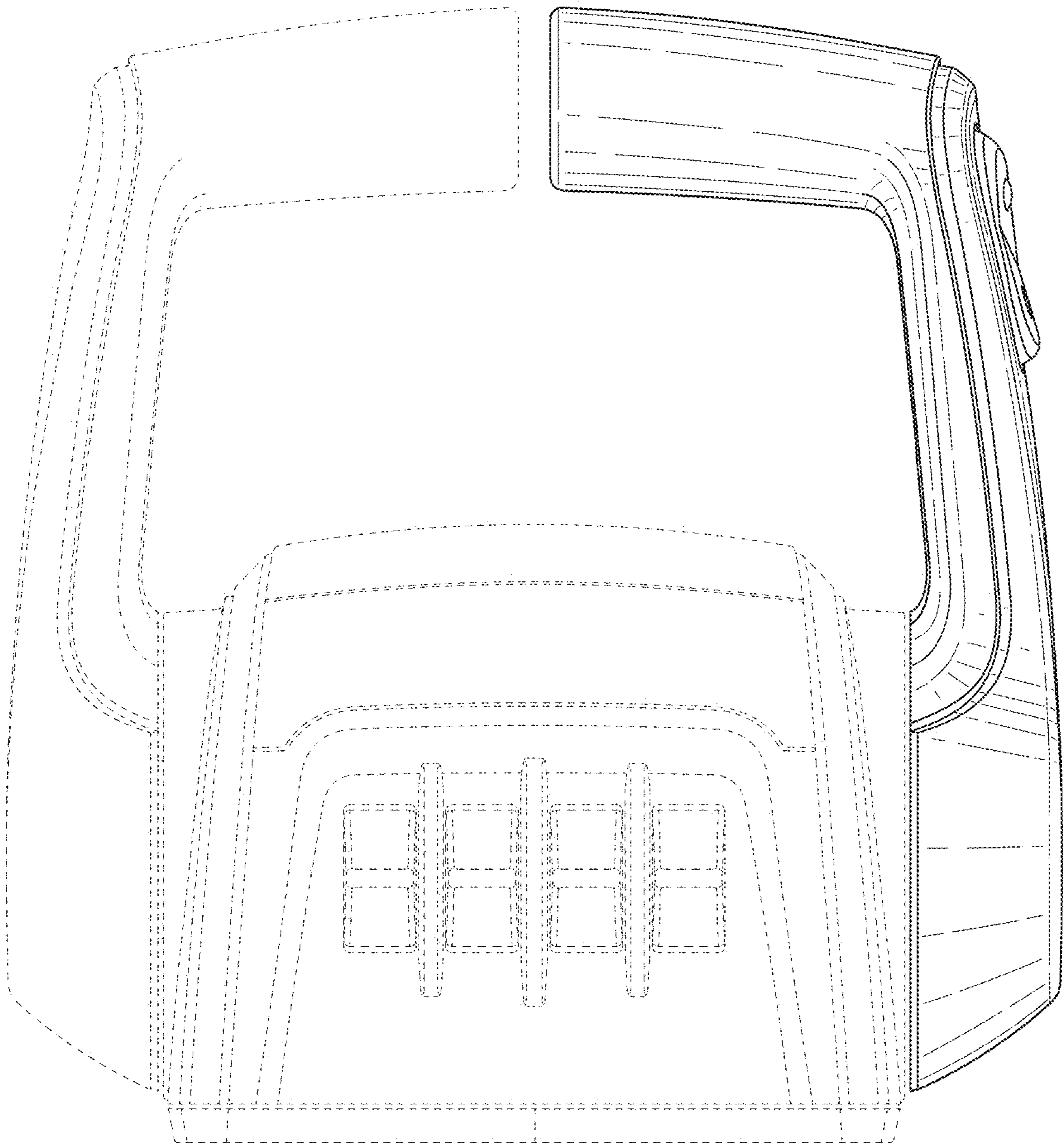


FIG. 5

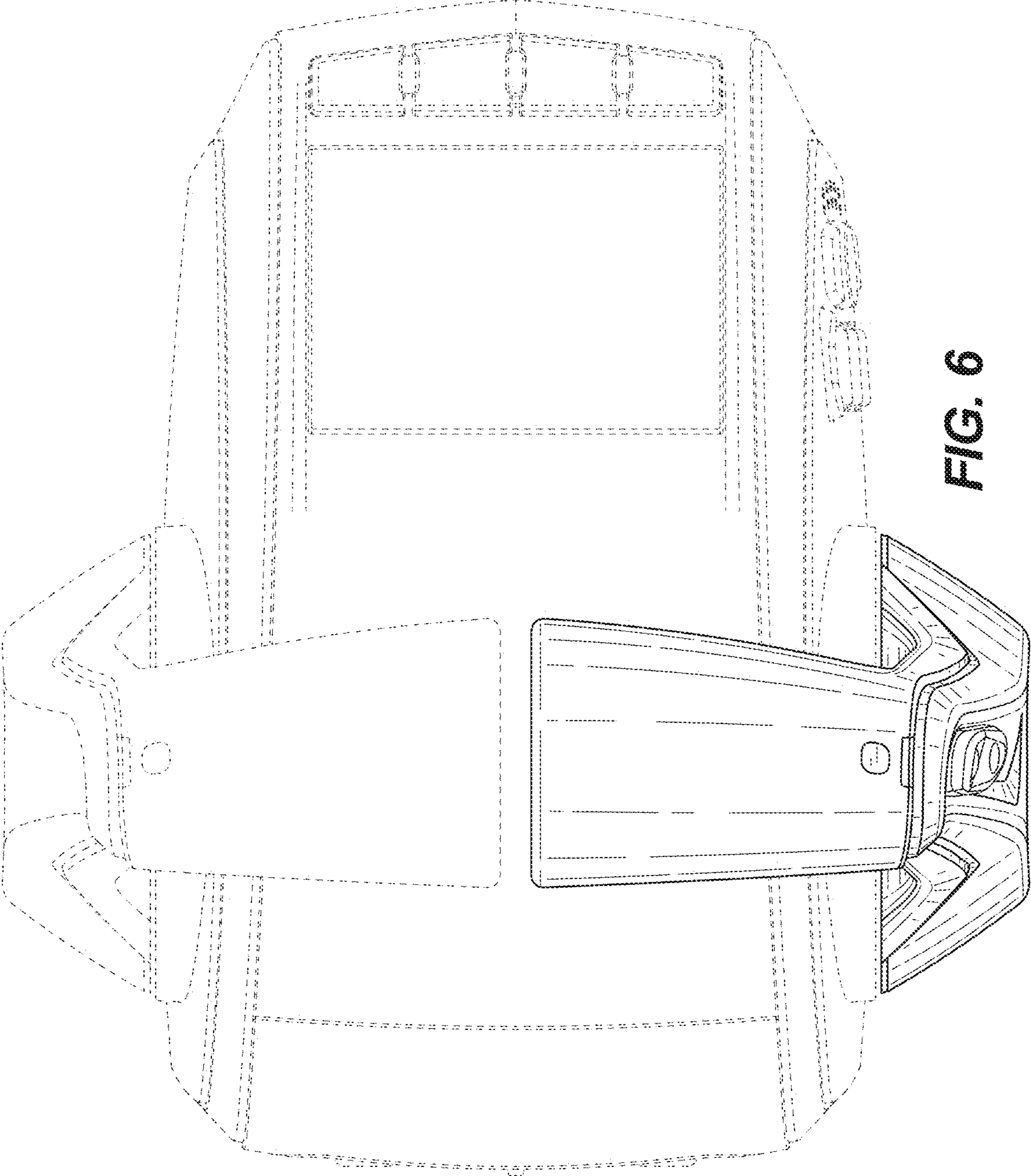


FIG. 6

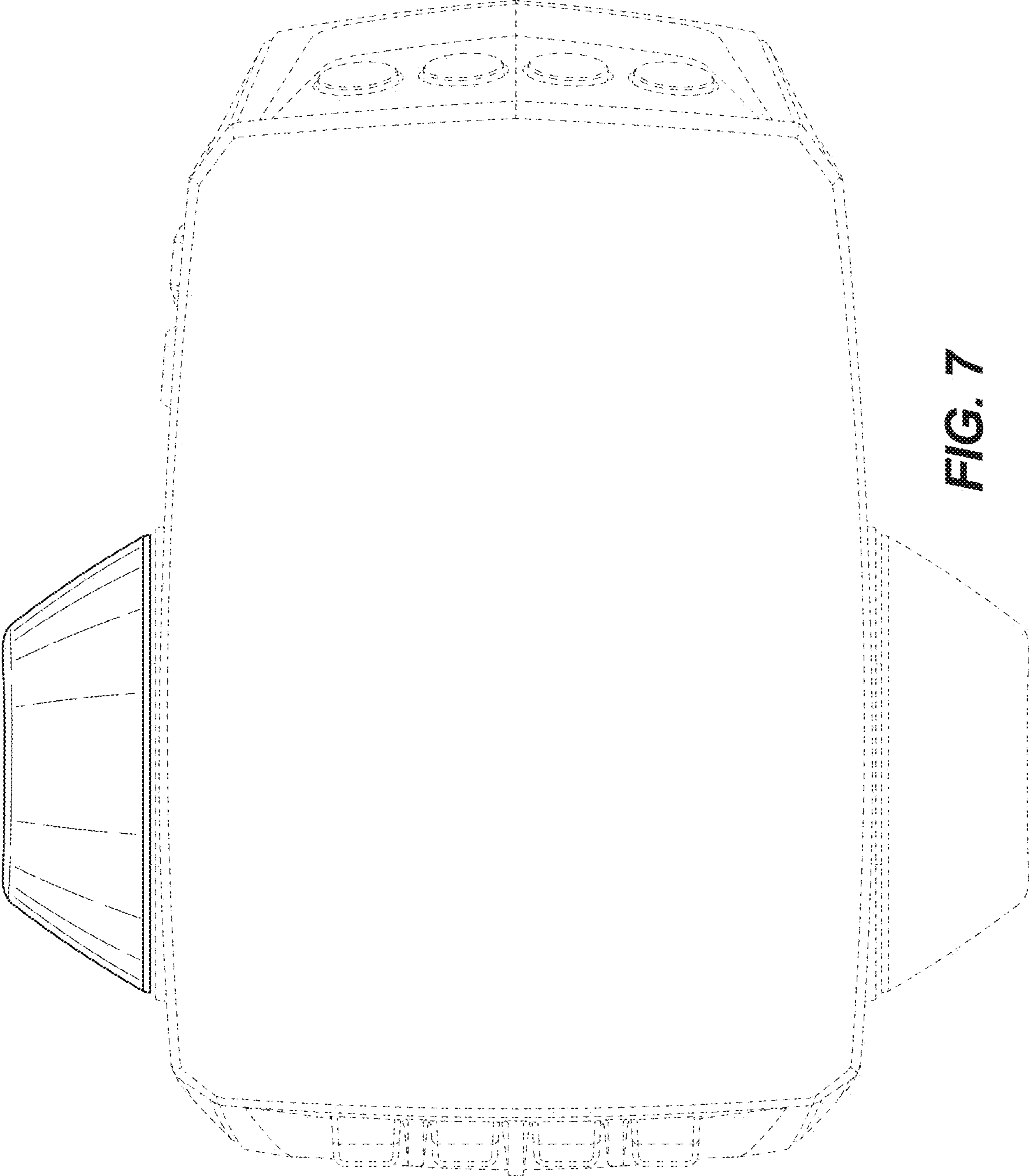


FIG. 7