



US00D951166S

(12) **United States Design Patent**
Kamsvåg

(10) **Patent No.:** **US D951,166 S**

(45) **Date of Patent:** **** May 10, 2022**

(54) **SHIP**
(71) Applicant: **Ulstein Design & Solutions AS,**
Ulsteinvik (NO)
(72) Inventor: **Øyvind Gjerde Kamsvåg,** Ulsteinvik
(NO)
(73) Assignee: **Ulstein Design & Solutions AS,**
Ulsteinvik (NO)
(**) Term: **15 Years**
(21) Appl. No.: **35/510,021**
(22) Filed: **Jul. 16, 2020**
(80) **Hague Agreement Data**
Int. Filing Date: **Jul. 16, 2020**
Int. Reg. No.: **DM/209524**
Int. Reg. Date: **Jul. 16, 2020**
Int. Reg. Pub. Date: **Aug. 7, 2020**

D315,137 S * 3/1991 Runte D12/303
D548,666 S * 8/2007 Laupman D12/300
D553,071 S * 10/2007 de Rover D12/315
D574,313 S * 8/2008 de Rover D12/300
D587,641 S * 3/2009 Bouckaert D12/300
D788,015 S * 5/2017 Lovo D12/315
D818,418 S * 5/2018 Mattila D12/300
D818,419 S * 5/2018 Mattila D12/300
D826,832 S * 8/2018 Mattila D12/300
D826,835 S * 8/2018 Mattila D12/300

* cited by examiner

Primary Examiner — Darlington Ly

(74) *Attorney, Agent, or Firm* — Knobbe, Martens, Olson
& Bear, LLP

(30) **Foreign Application Priority Data**

Jan. 24, 2020 (WO) 20200061

(51) **LOC (13) Cl.** **12-06**

(52) **U.S. Cl.**
USPC **D12/300**

(58) **Field of Classification Search**
USPC D12/300, 301, 304, 315, 317, 318;
D21/542, 543
CPC B63B 1/00; B63B 1/04; B63B 1/06; B63B
1/08; B63B 1/10; B63B 1/38
See application file for complete search history.

(56) **References Cited**

U.S. PATENT DOCUMENTS

4,383,828 A * 5/1983 Wynne B63B 1/08
440/69
D290,949 S * 7/1987 Scarboro D12/315

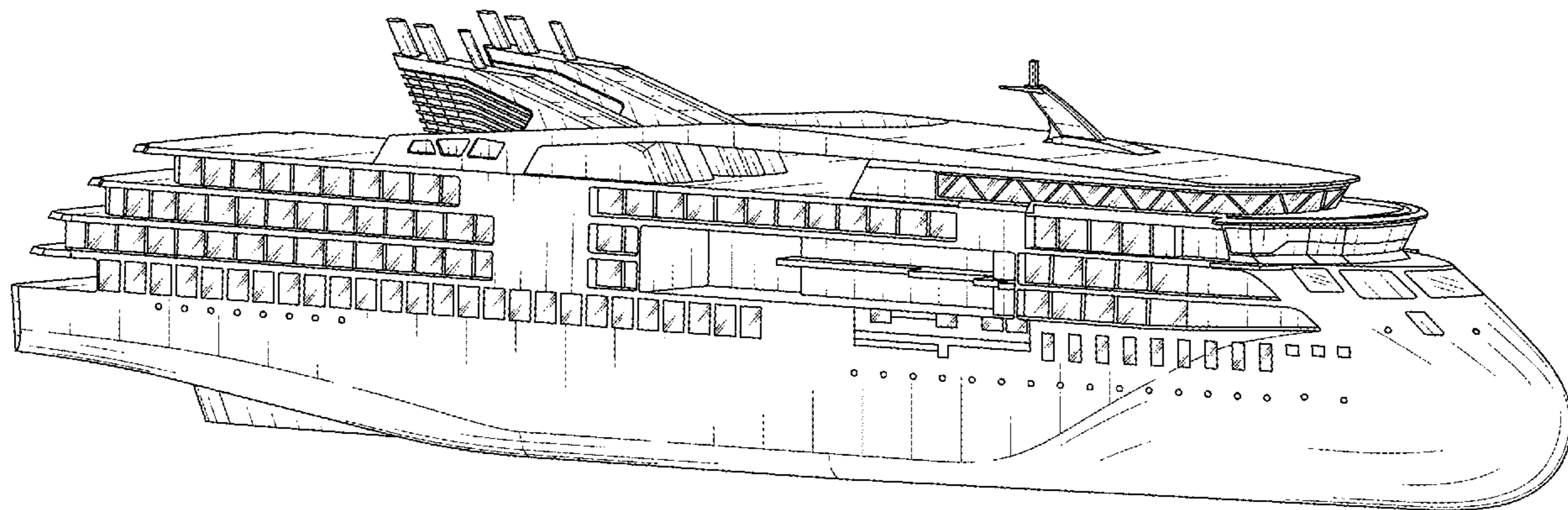
(57) **CLAIM**

The ornamental design for a ship, as shown and described.

DESCRIPTION

1. Ship
1.1 is a front and right side perspective view of a ship
embodying my new design;
1.2 is a rear and right side perspective view thereof;
1.3 is a top, rear, and right side perspective view thereof;
1.4 is a top, rear, and left side perspective view thereof;
1.5 is a top plan view thereof;
1.6 is a front elevation view thereof; and
1.7 is a rear elevation view thereof.
1.8: is a bottom plan view thereof;
1.9: is a right side view thereof; and
1.10 is a left side view thereof.

1 Claim, 9 Drawing Sheets



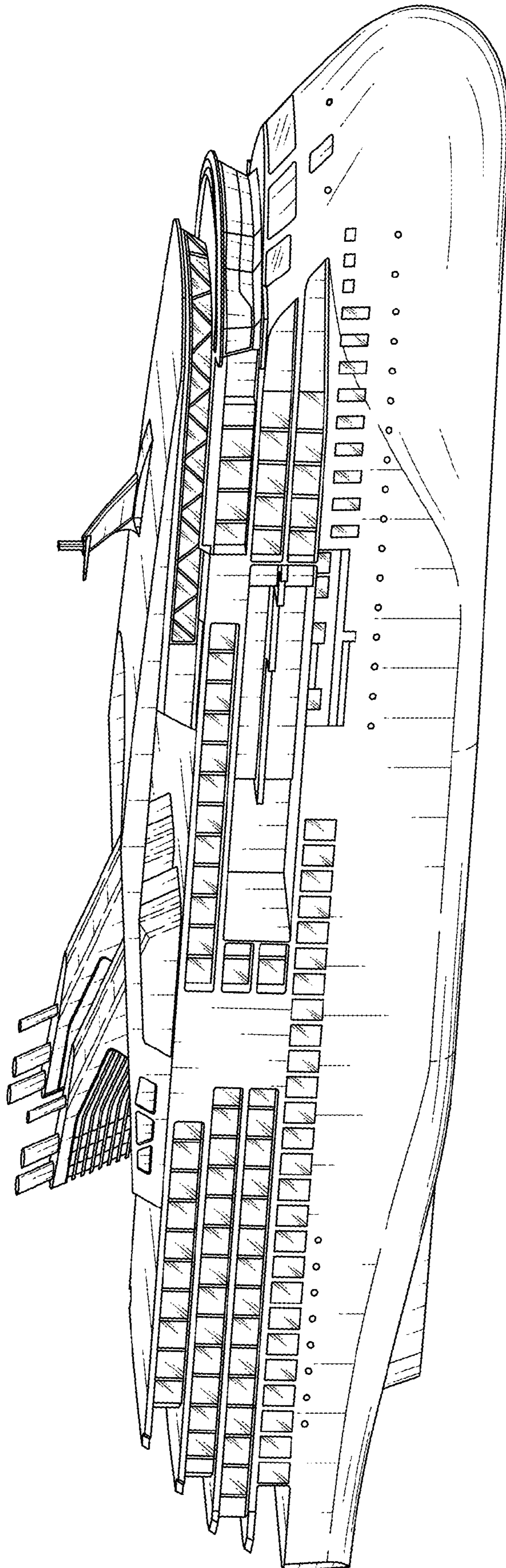


FIG. 1.1

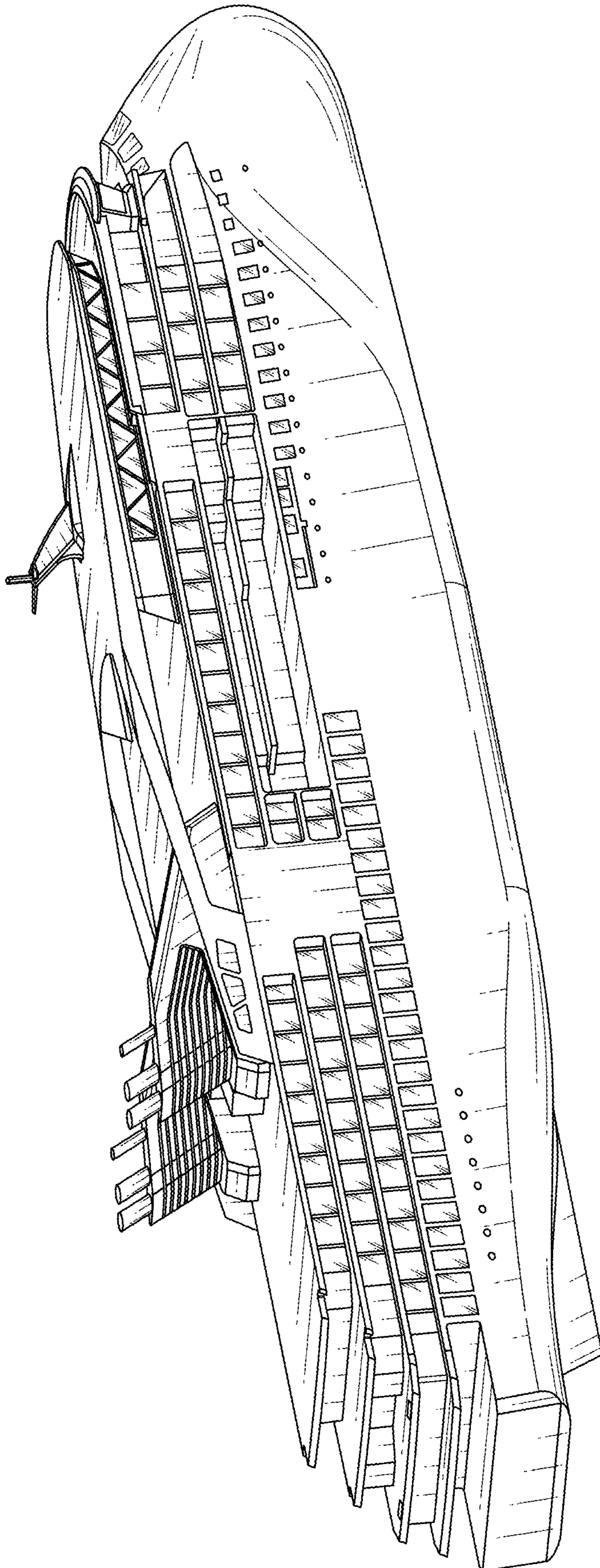


FIG. 1.2

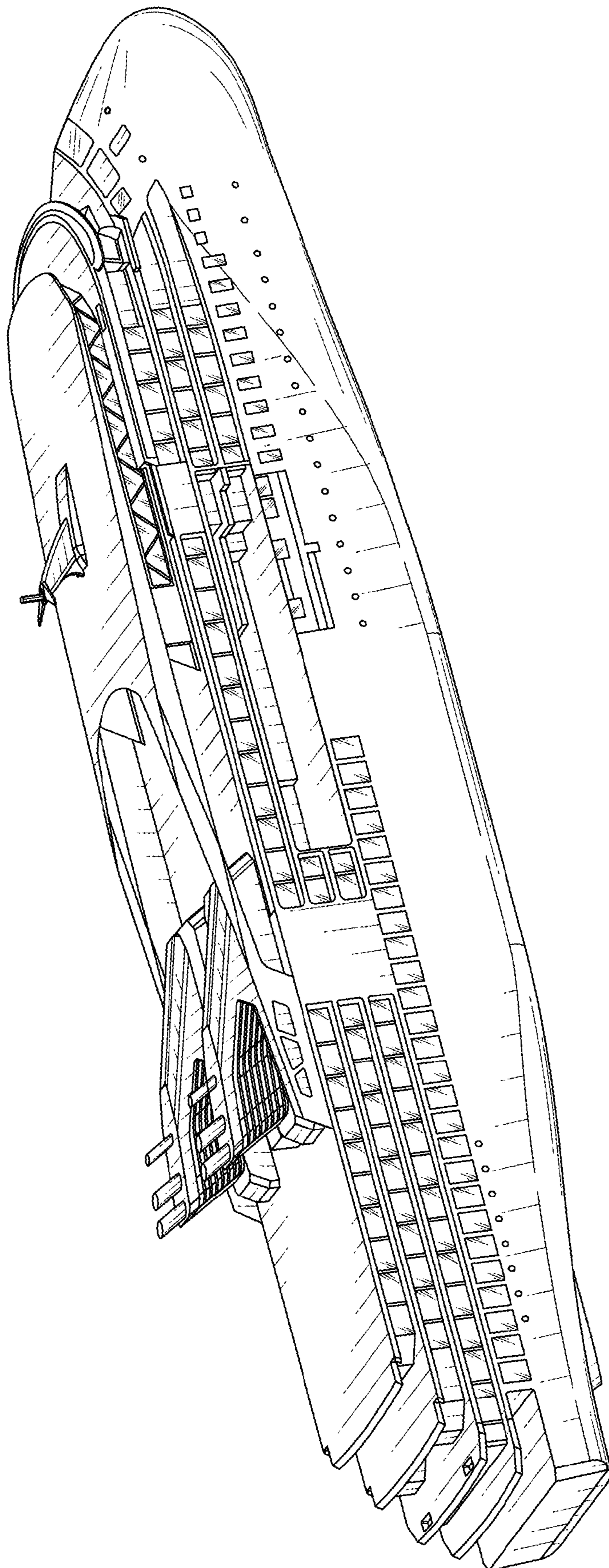


FIG. 1.3

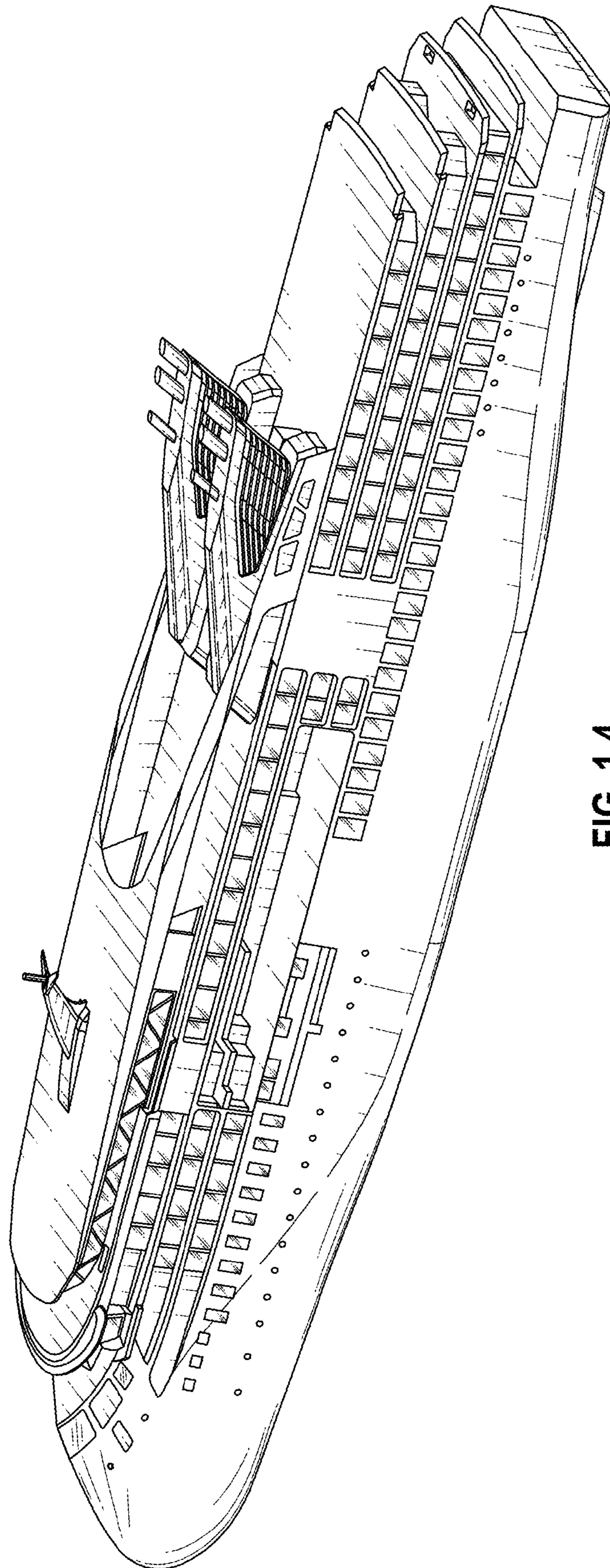


FIG. 1.4

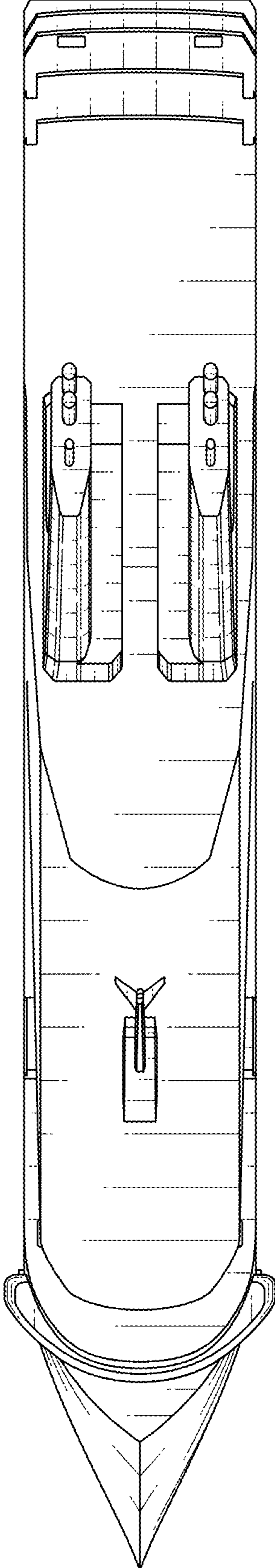


FIG. 1.5

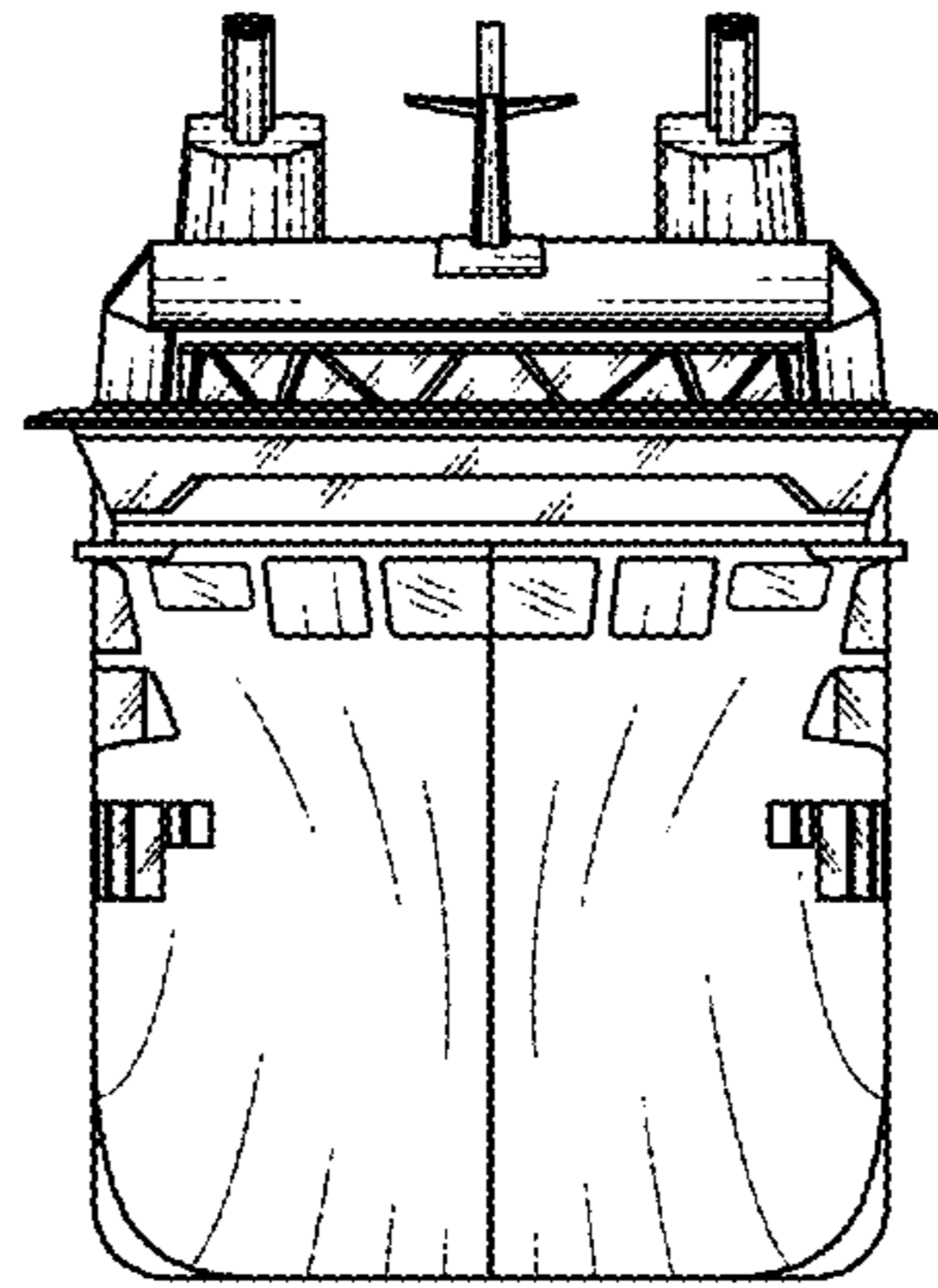


FIG. 1.6

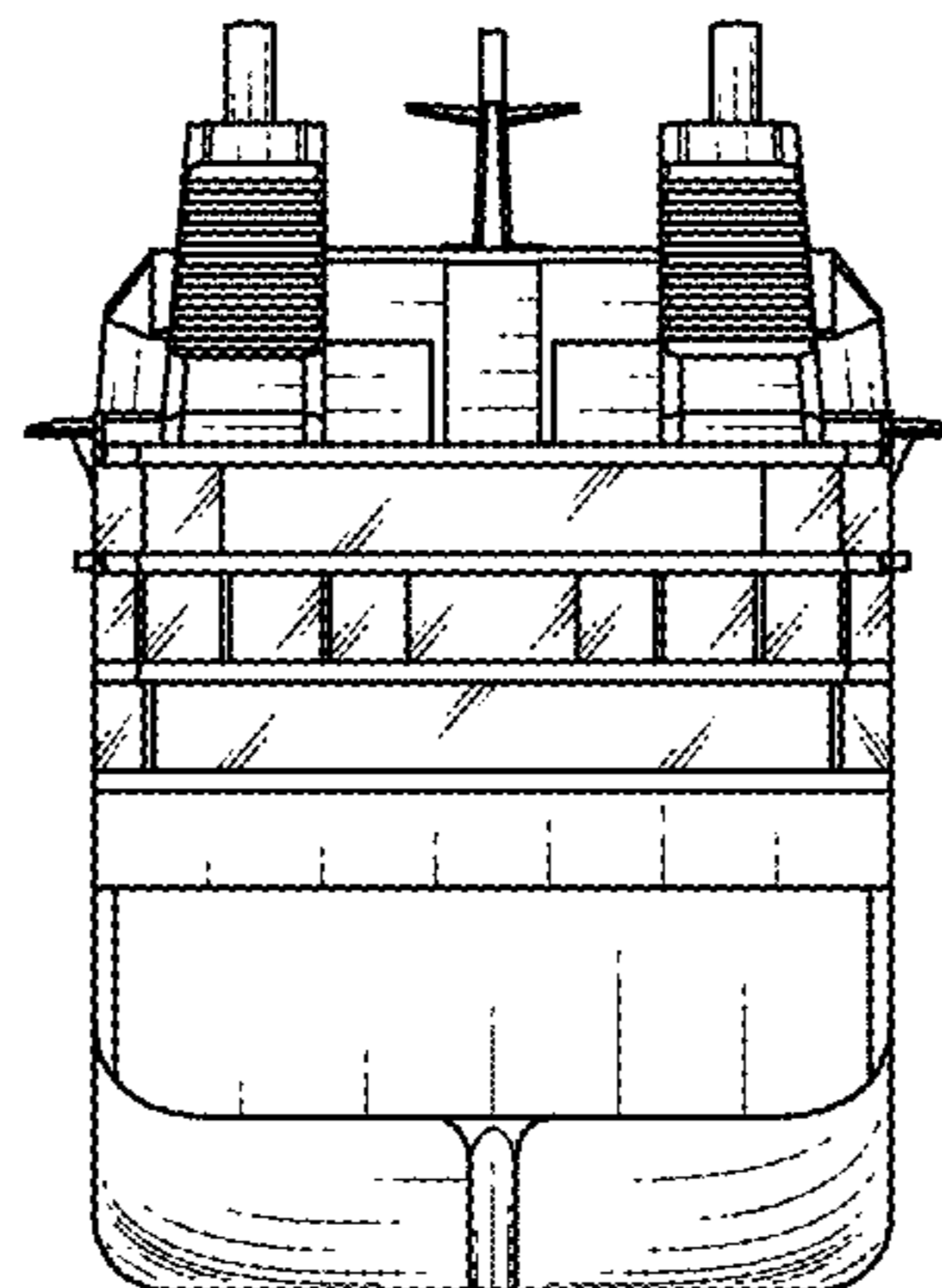


FIG. 1.7

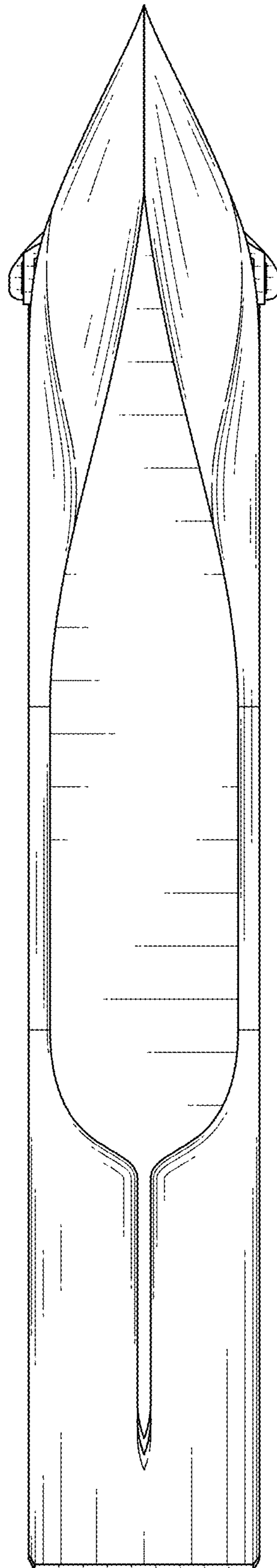


FIG. 1.8

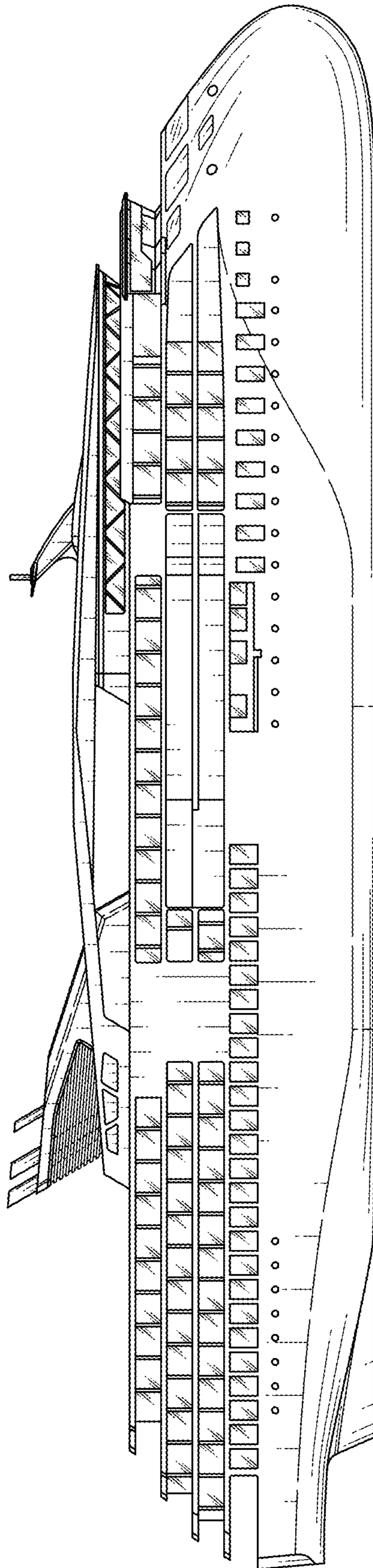


FIG. 1.9

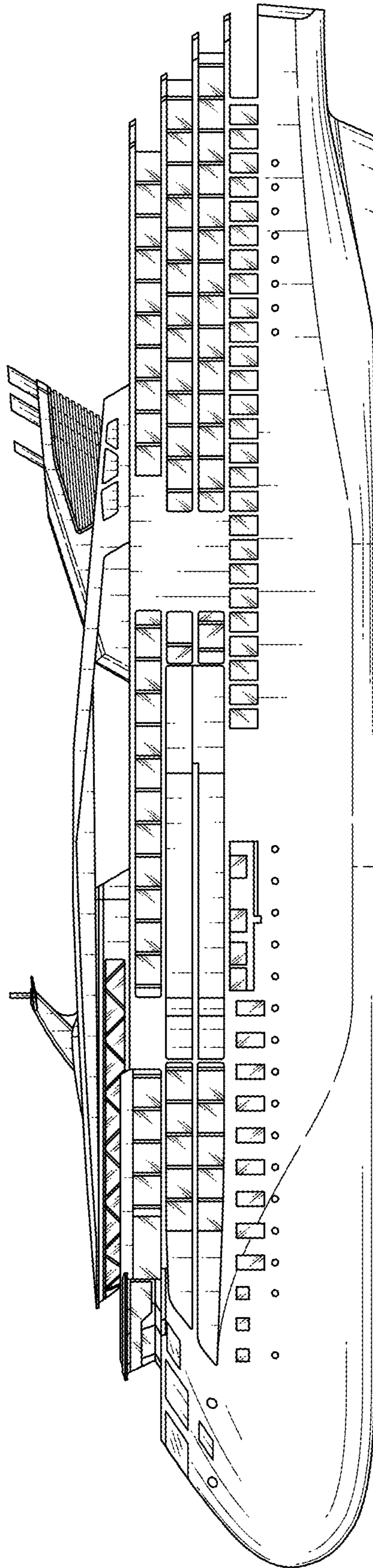


FIG. 1.10