



US00D951165S

(12) **United States Design Patent** (10) **Patent No.:** **US D951,165 S**
Ciccola et al. (45) **Date of Patent:** **** May 10, 2022**

(54) **VEHICLE WHEEL DISC**

FOREIGN PATENT DOCUMENTS

(71) Applicant: **HOWMET AEROSPACE INC.**,
Pittsburgh, PA (US)

BR 302015005977-0001 * 12/2015
CN 302930874 * 9/2014
GB 8206306000-1000 * 5/2019

(72) Inventors: **Gabriele F. Ciccola**, Hudson, OH (US);
Santosh Prasad, Murrysville, PA (US);
Igor Belousov, Parma Heights, OH
(US); **Grant A. DeGeorge**,
Strongsville, OH (US); **Anton J.**
Rovito, Parma, OH (US)

OTHER PUBLICATIONS

Accessory_Products_Catalog https://www.alcoawheels.com/alcoawheels/catalog/pdf/Accessory_Products_Catalog.pdf 2020 (Year: 2020).*

(73) Assignee: **HOWMET AEROSPACE INC.**,
Pittsburgh, PA (US)

Primary Examiner — Leanne Was-Englehart

(74) Attorney, Agent, or Firm — K&L Gates LLP

(**) Term: **15 Years**

(57) **CLAIM**

(21) Appl. No.: **29/676,089**

The ornamental design for a vehicle wheel disc, as shown and described.

(22) Filed: **Jan. 8, 2019**

(51) **LOC (13) Cl.** **12-16**

(52) **U.S. Cl.**

USPC **D12/204**

(58) **Field of Classification Search**

USPC D12/204–213; D21/563

CPC B60B 7/00; B60B 7/02; B60B 7/04; B60B

7/01; B60B 7/06; B60B 3/02; B60B 3/04;

B60B 3/06; B60B 3/10; B60B 1/00;

B60B 1/08; B60B 1/10; B60B 1/12;

B60B 21/04; B60B 21/104; B60B 1/06;

B60B 3/08; B60C 15/024

See application file for complete search history.

DESCRIPTION

FIG. 1 illustrates a front perspective view of a vehicle wheel disc;

FIG. 2 illustrates a rear perspective view of the vehicle wheel disc of FIG. 1;

FIG. 3 illustrates a front elevational view of the vehicle wheel disc of FIG. 1;

FIG. 4 illustrates a rear elevational view of the vehicle wheel disc of FIG. 1;

FIG. 5 illustrates a left side elevational view of the vehicle wheel disc of FIG. 1;

FIG. 6 illustrates a top view of the vehicle wheel disc of FIG. 1;

FIG. 7 illustrates a cross-section of the vehicle wheel disc of FIG. 1 taken along line 7-7 in FIG. 3; and,

FIG. 8 is a detailed view of region 8 in FIG. 3.

The broken lines in the drawings are for the purpose of illustrating portions of the vehicle wheel that form no part of the claimed design. The dot-dash broken line circles depict the limits of the enlarged views and form no part of the claimed design.

(56) **References Cited**

U.S. PATENT DOCUMENTS

D232,930 S * 9/1974 Edwards D12/209

D356,538 S * 3/1995 Botterman D12/209

D358,797 S * 5/1995 Botterman D12/209

5,441,334 A * 8/1995 Botterman B60B 7/00

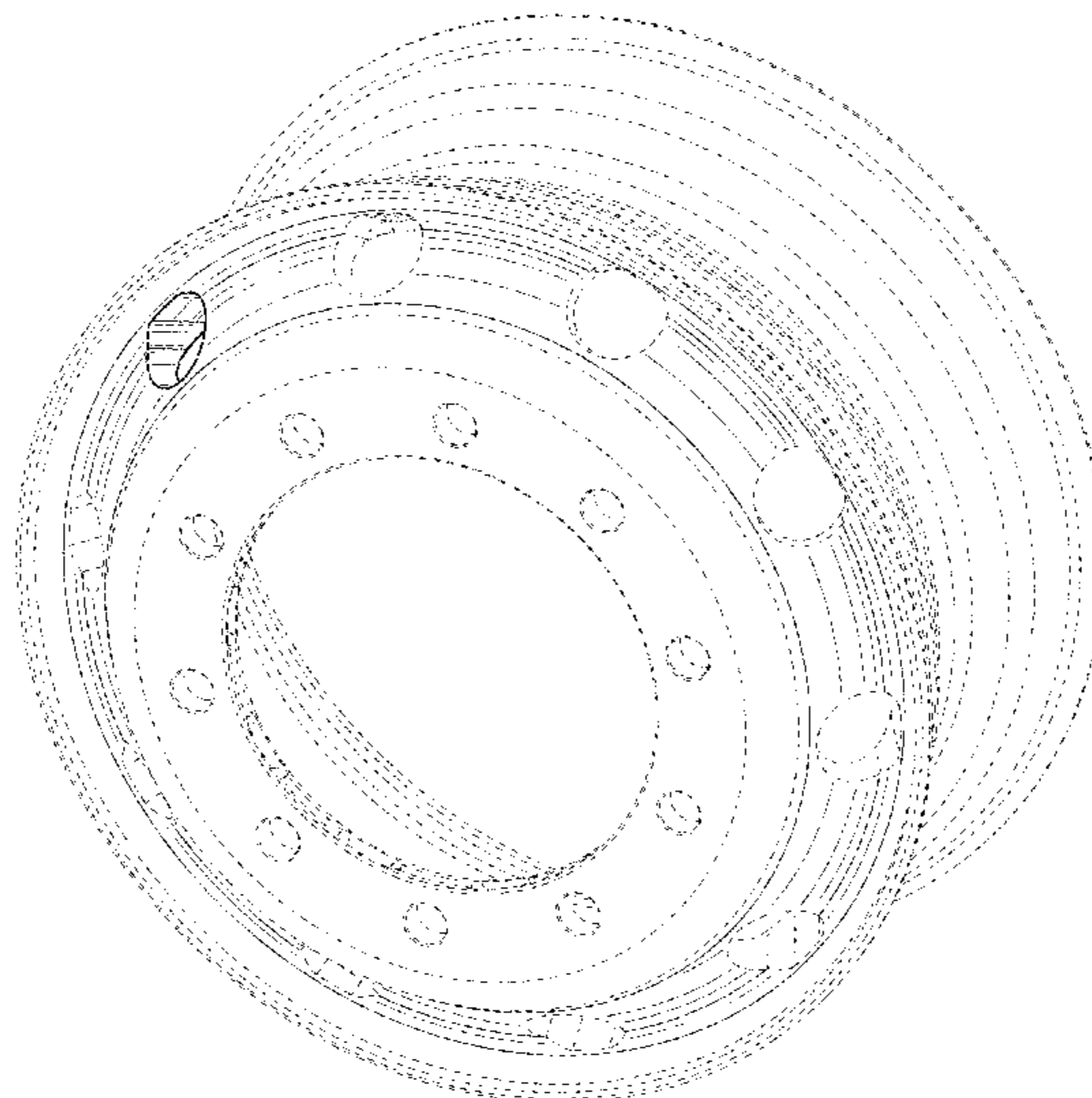
29/453

D502,908 S 3/2005 Mahachanh et al.

D504,378 S 4/2005 Grossenbacher et al.

(Continued)

1 Claim, 8 Drawing Sheets



(56)

References Cited

U.S. PATENT DOCUMENTS

D519,433	S *	4/2006	Finn	D12/210
D521,918	S	5/2006	Mahachanh et al.	
D521,919	S	5/2006	Mahachanh et al.	
D598,835	S *	8/2009	DeGeorge	D12/209
D612,316	S *	3/2010	Sanschagrín	D12/210
D651,954	S	1/2012	Hohman	
D651,955	S	1/2012	Hohman et al.	
D658,106	S *	4/2012	Thurner	D12/211
D662,018	S	6/2012	Grossenbacher	
D662,019	S	6/2012	Grossenbacher	
D662,020	S	6/2012	Grossenbacher	
D662,021	S	6/2012	Grossenbacher	
D662,022	S	6/2012	Grossenbacher	
D662,023	S	6/2012	Grossenbacher	
D662,024	S	6/2012	Grossenbacher	
D663,245	S	7/2012	Hohman et al.	
D663,246	S	7/2012	Hohman et al.	
D722,936	S *	2/2015	Futschik	D12/209
D773,974	S *	12/2016	DeGeorge	D12/208
D810,645	S *	2/2018	Sklyut	D12/204
D811,977	S *	3/2018	Oscroft	D12/210
D830,929	S *	10/2018	Sklyut	D12/204
D837,120	S *	1/2019	Caldwell	D12/209
D902,822	S *	11/2020	Carbis	D12/209
D909,269	S *	2/2021	Fanizza	D12/204
D938,333	S *	12/2021	Chen	D12/209
2020/0189314	A1 *	6/2020	Zehnder	B60B 21/104
2020/0262237	A1 *	8/2020	Sklyut	B60B 21/026
2020/0369075	A1 *	11/2020	Wallace	B60B 3/02
2021/0107051	A1 *	4/2021	Saylor	B60B 3/10
2021/0291586	A1 *	9/2021	Wallace	B60B 7/04

* cited by examiner

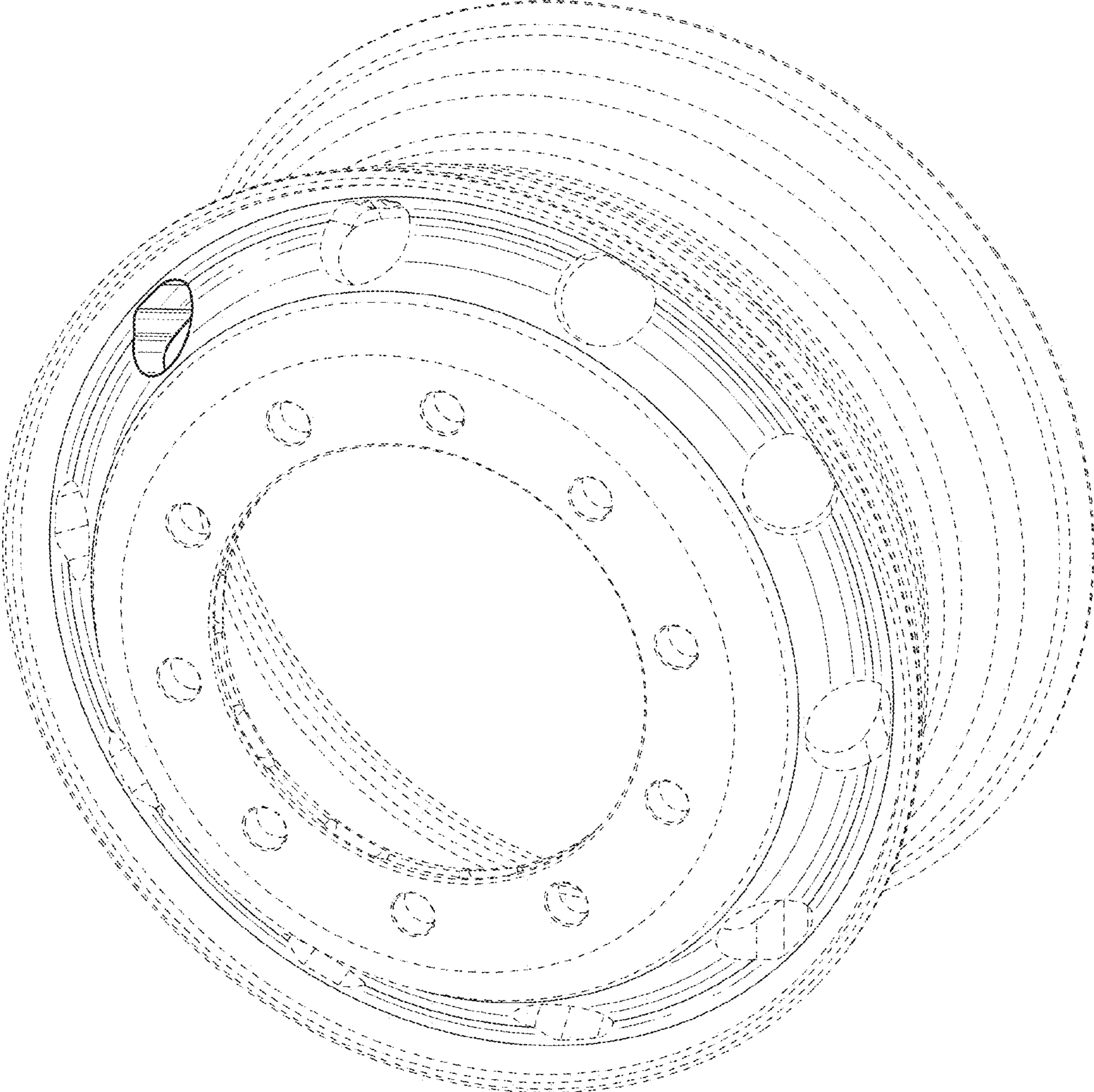


FIG. 1

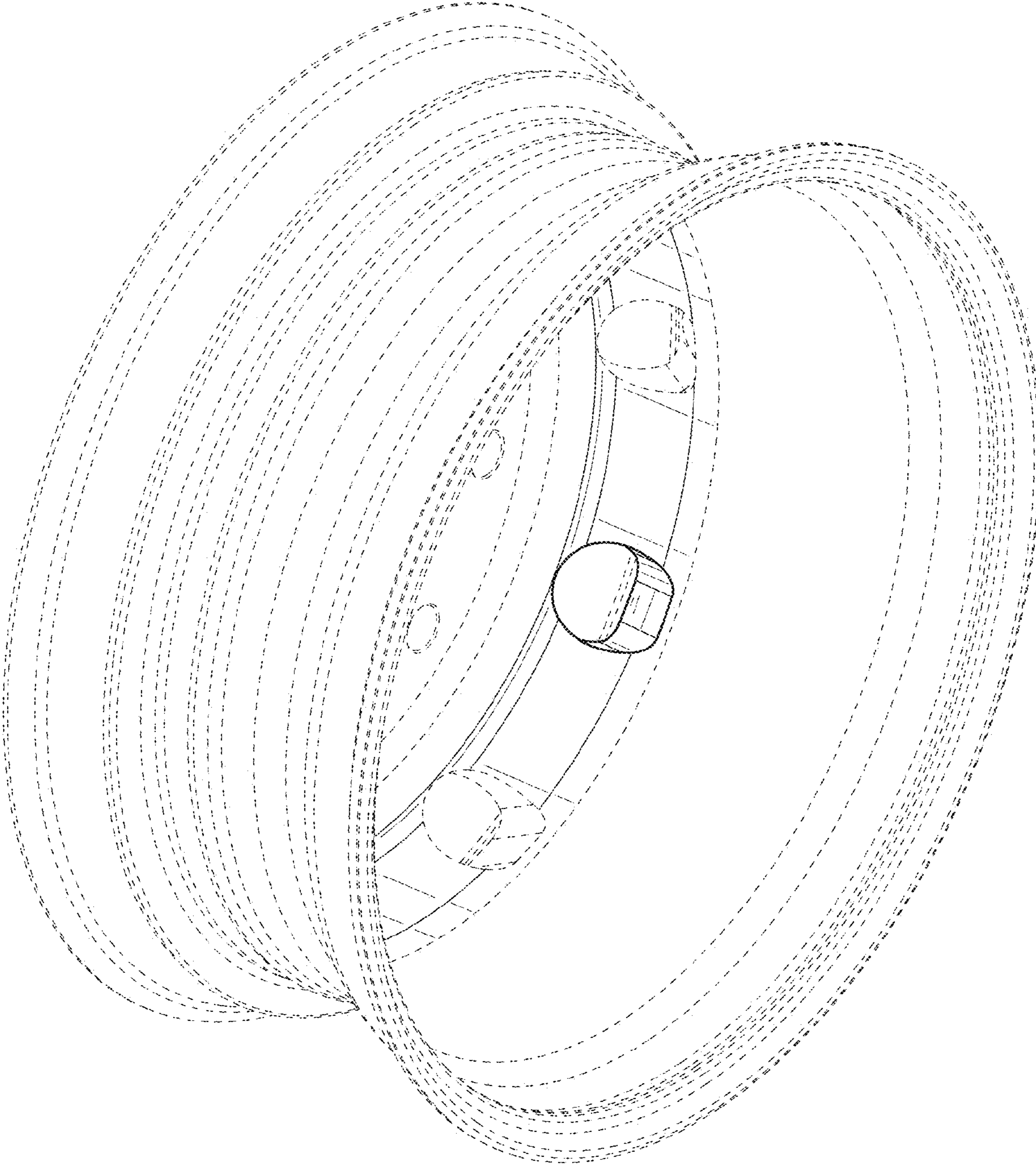


FIG. 2

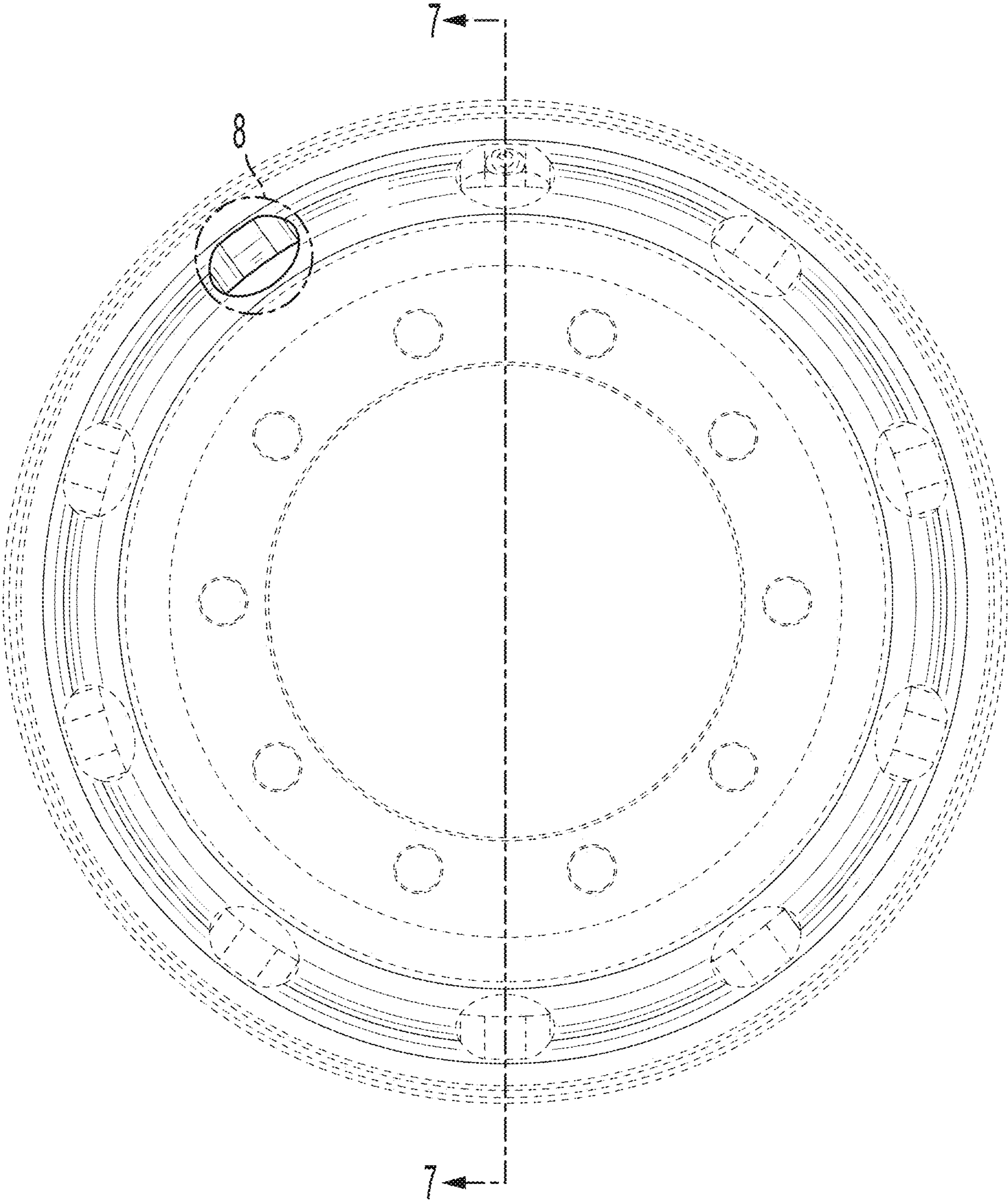


FIG. 3

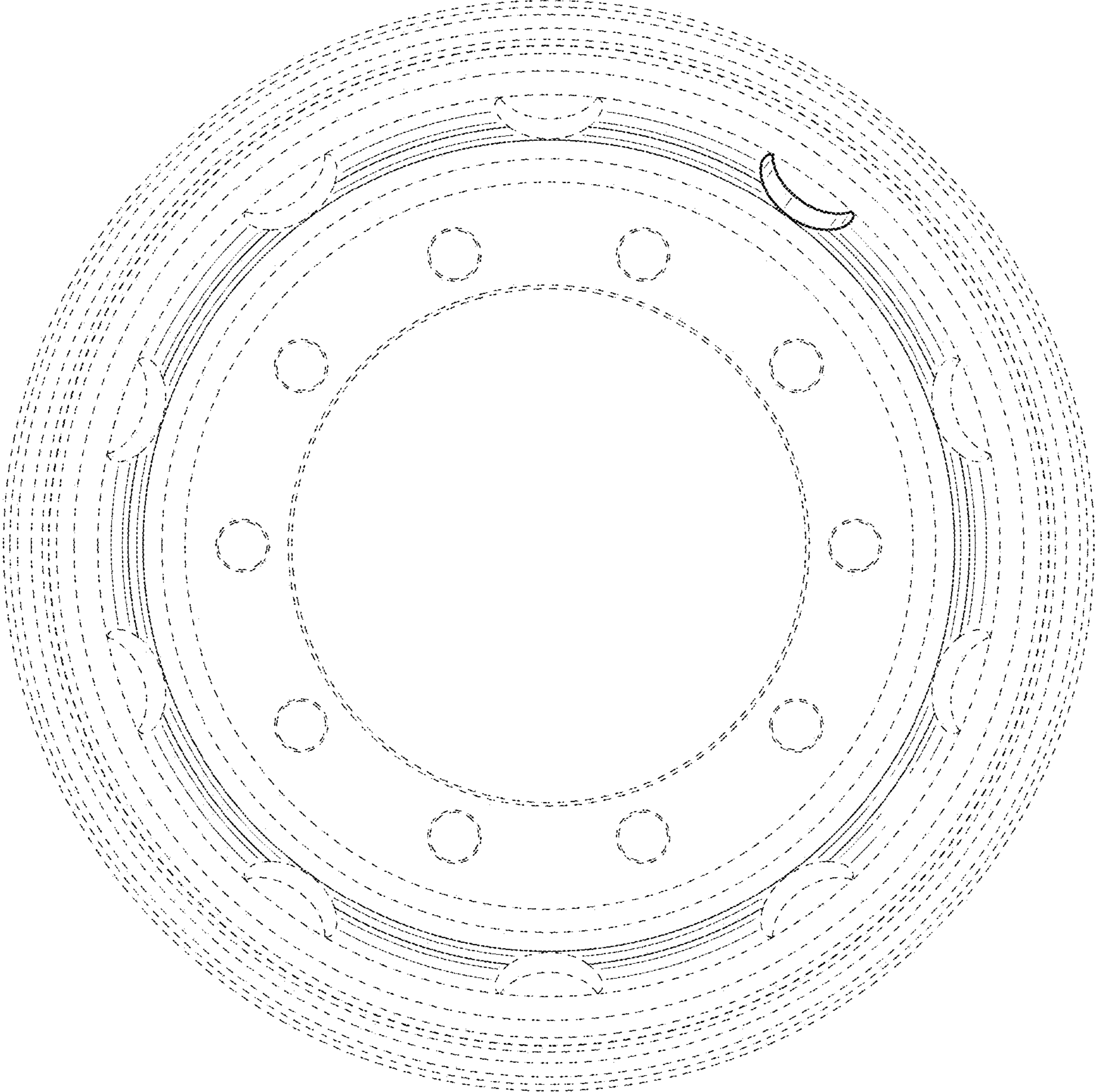


FIG. 4

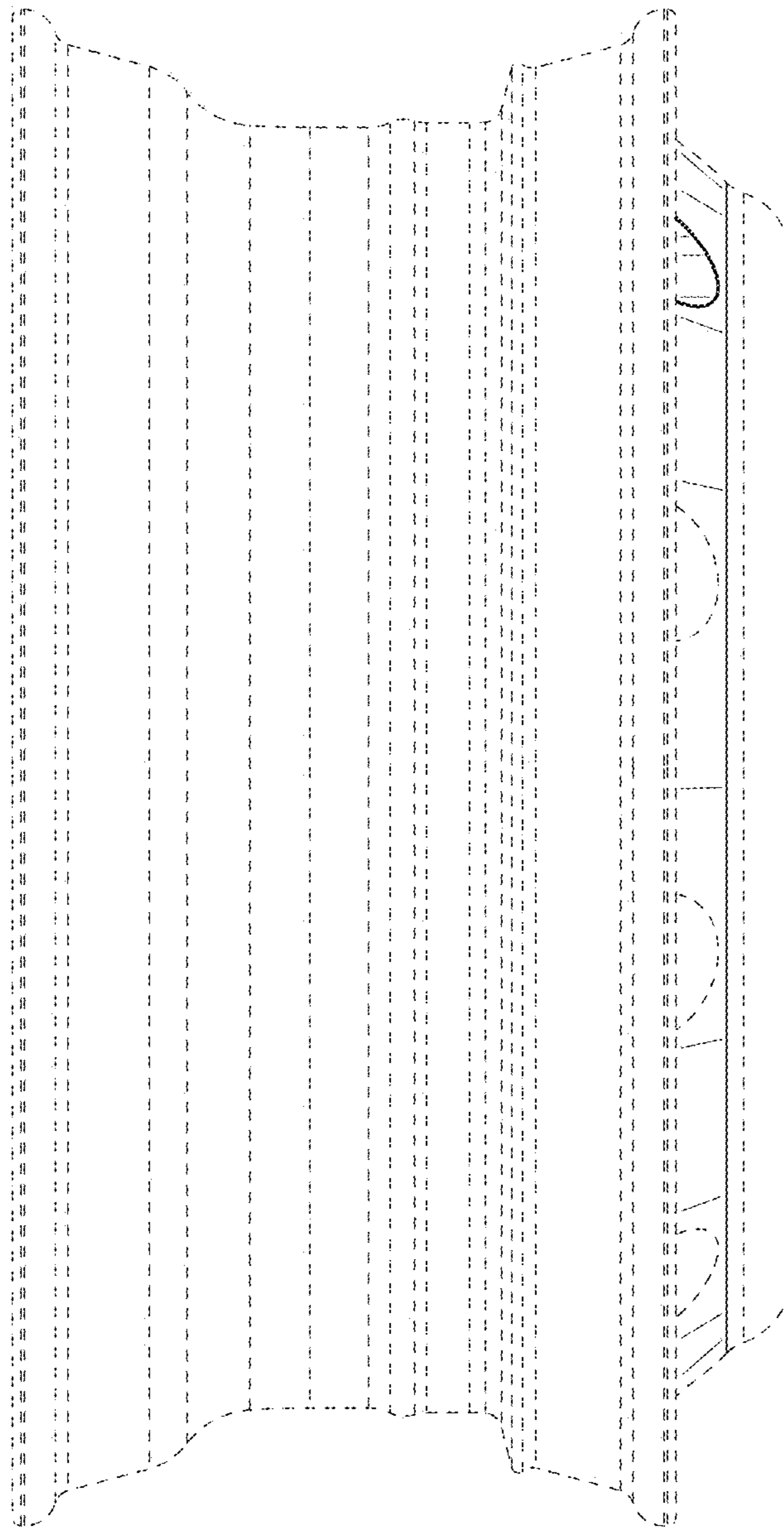


FIG. 5

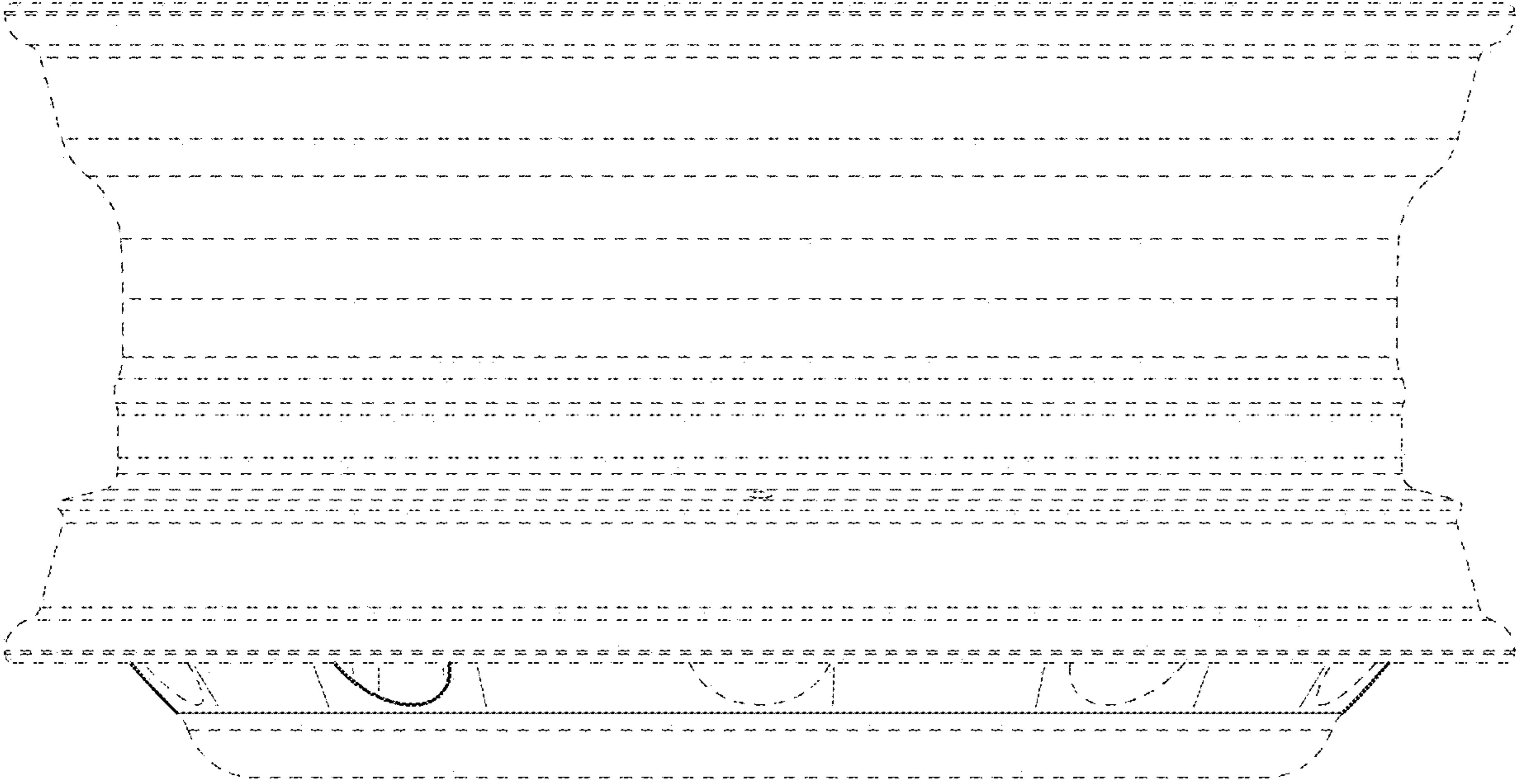


FIG. 6

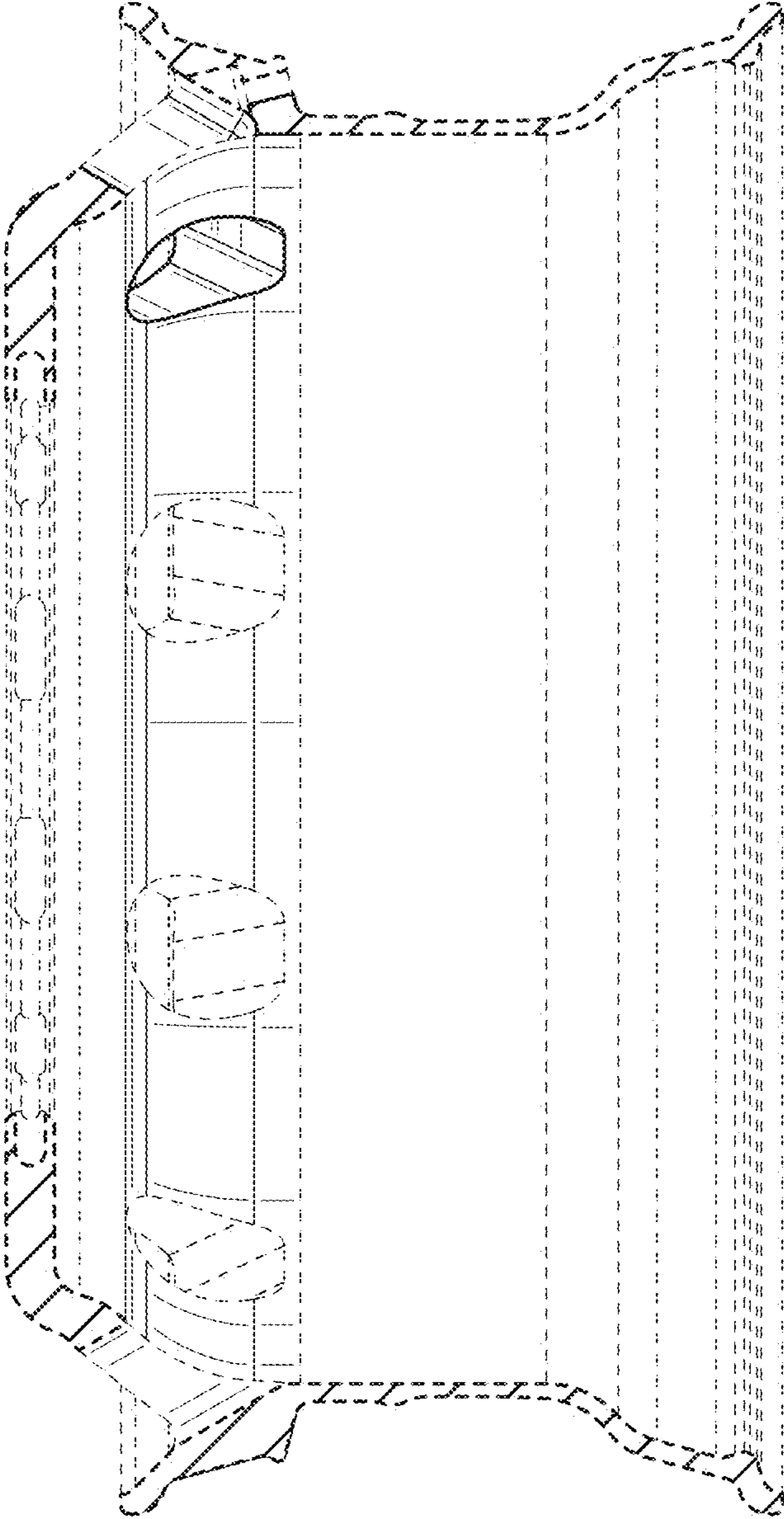


FIG. 7

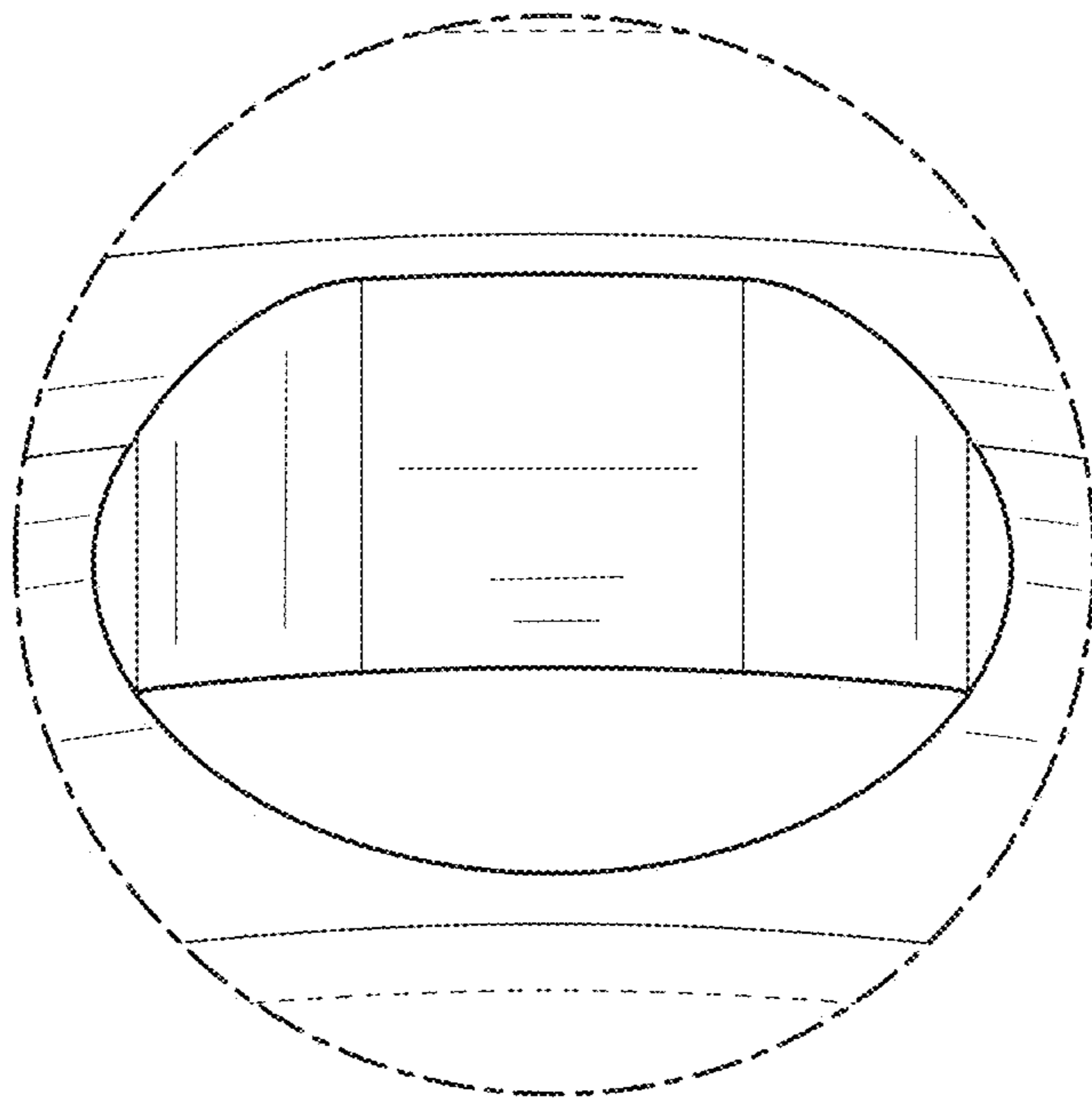


FIG. 8