



US00D951159S

(12) **United States Design Patent** (10) **Patent No.:** **US D951,159 S**
Oh et al. (45) **Date of Patent:** **** May 10, 2022**

(54) **FRONT BUMPER UPPER COVER FOR AUTOMOBILE**

(71) Applicants: **HYUNDAI MOTOR COMPANY**, Seoul (KR); **KIA MOTORS CORPORATION**, Seoul (KR)

(72) Inventors: **Ji-Su Oh**, Seoul (KR); **Jung-Yong Park**, Hwaseong-si (KR)

(**) Term: **15 Years**

(21) Appl. No.: **35/511,385**

(22) Filed: **Nov. 6, 2020**

(80) **Hague Agreement Data**

Int. Filing Date: **Nov. 6, 2020**
Int. Reg. No.: **DM/212585**
Int. Reg. Date: **Nov. 6, 2020**
Int. Reg. Pub. Date: **Feb. 12, 2021**

(30) **Foreign Application Priority Data**

Jun. 1, 2020 (KR) 30-2020-0024260

(51) **LOC (13) Cl.** **12-16**

(52) **U.S. Cl.**
USPC **D12/169**

(58) **Field of Classification Search**
USPC D12/163-172
CPC B62D 25/10; B62D 25/105
See application file for complete search history.

(56) **References Cited**

U.S. PATENT DOCUMENTS

D829,620 S * 10/2018 Lim D12/169
D830,920 S * 10/2018 Munakata D12/169
D860,052 S * 9/2019 Kezha D12/92
D860,053 S * 9/2019 Forschner D12/92
D869,360 S * 12/2019 Roh D12/169
D920,190 S * 5/2021 Piaskowski D12/169
D932,390 S * 10/2021 Sachs D12/169

* cited by examiner

Primary Examiner — Joseph Kukella

(57) **CLAIM**

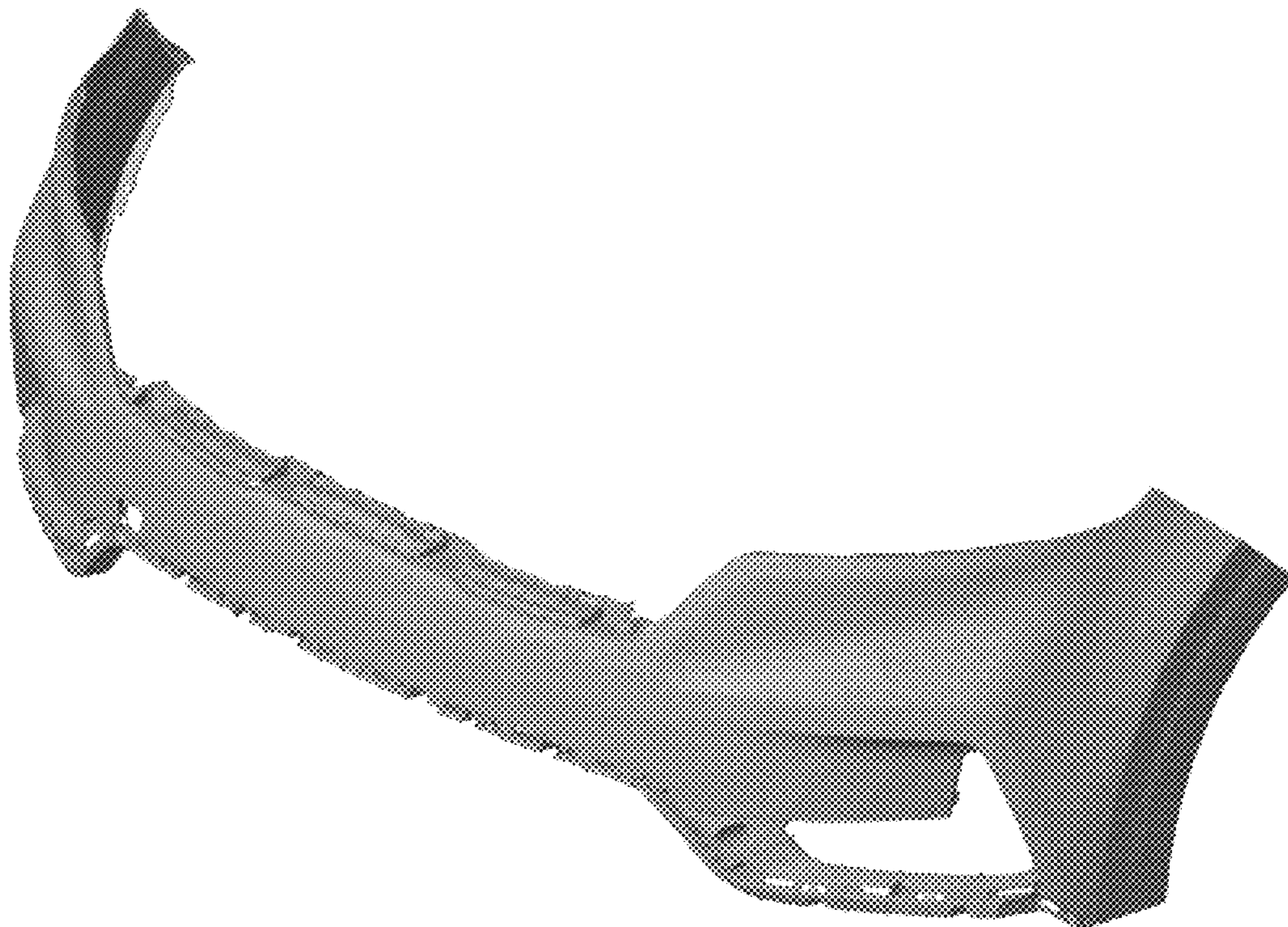
The ornamental design for front bumper upper cover for automobile, as shown and described.

DESCRIPTION

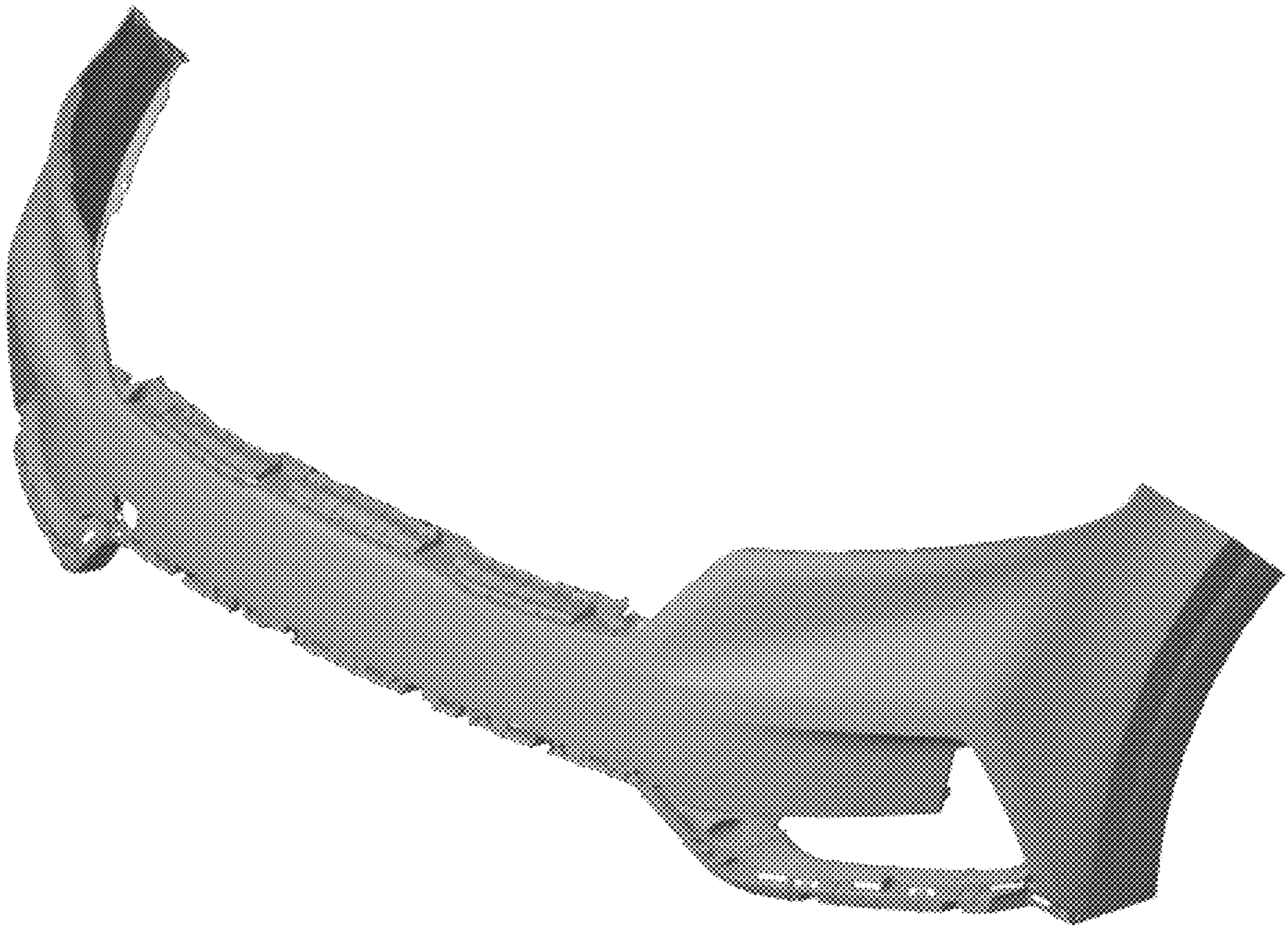
1. Front bumper upper cover for automobile
1.1 : Perspective
1.2 : Front
1.3 : Back
1.4 : Left
1.5 : Right
1.6 : Top
1.7 : Bottom

1.1 is a perspective view of a front bumper upper cover for automobile showing our new design; **1.2** is a front elevation view thereof; **1.3** is a back elevation view thereof; **1.4** is a left side elevation view thereof; **1.5** is a right side elevation view thereof; **1.6** is a top plan view thereof; and **1.7** is a bottom plan view thereof.

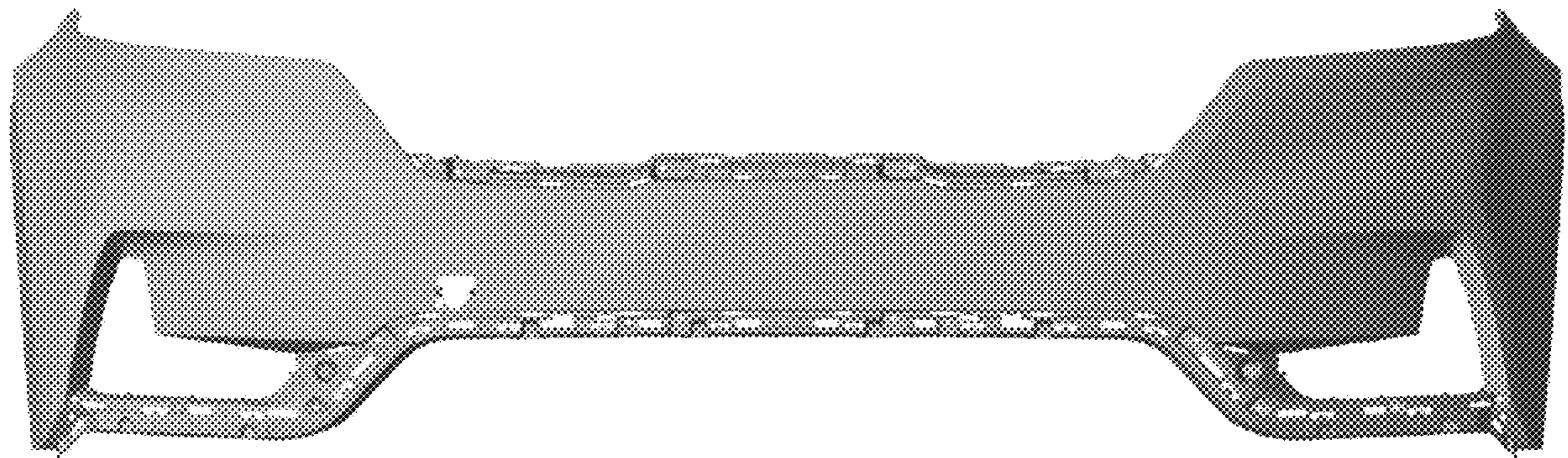
1 Claim, 7 Drawing Sheets



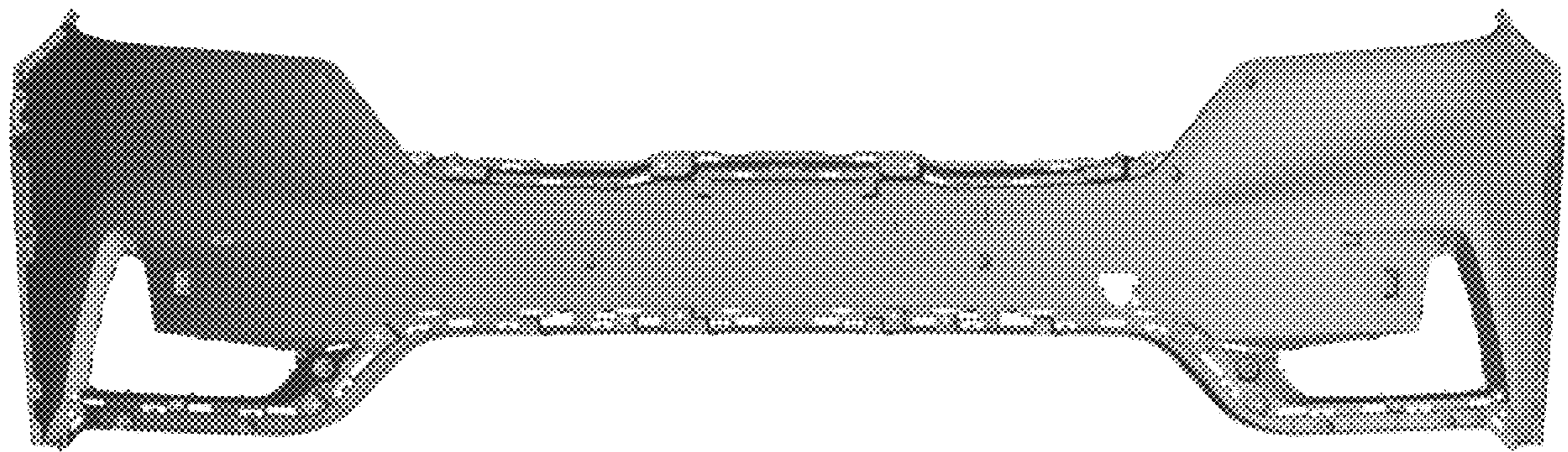
1.1



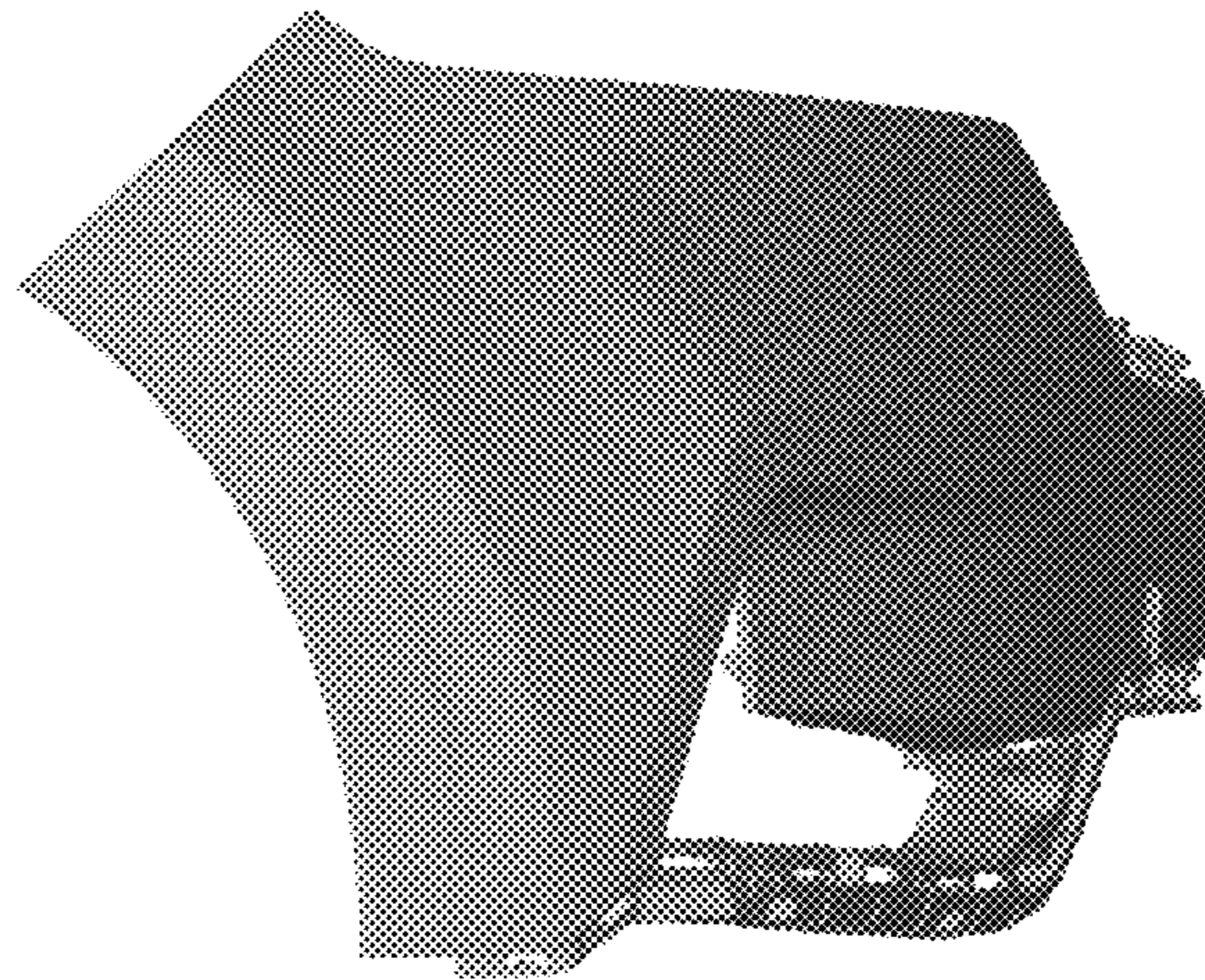
1.2



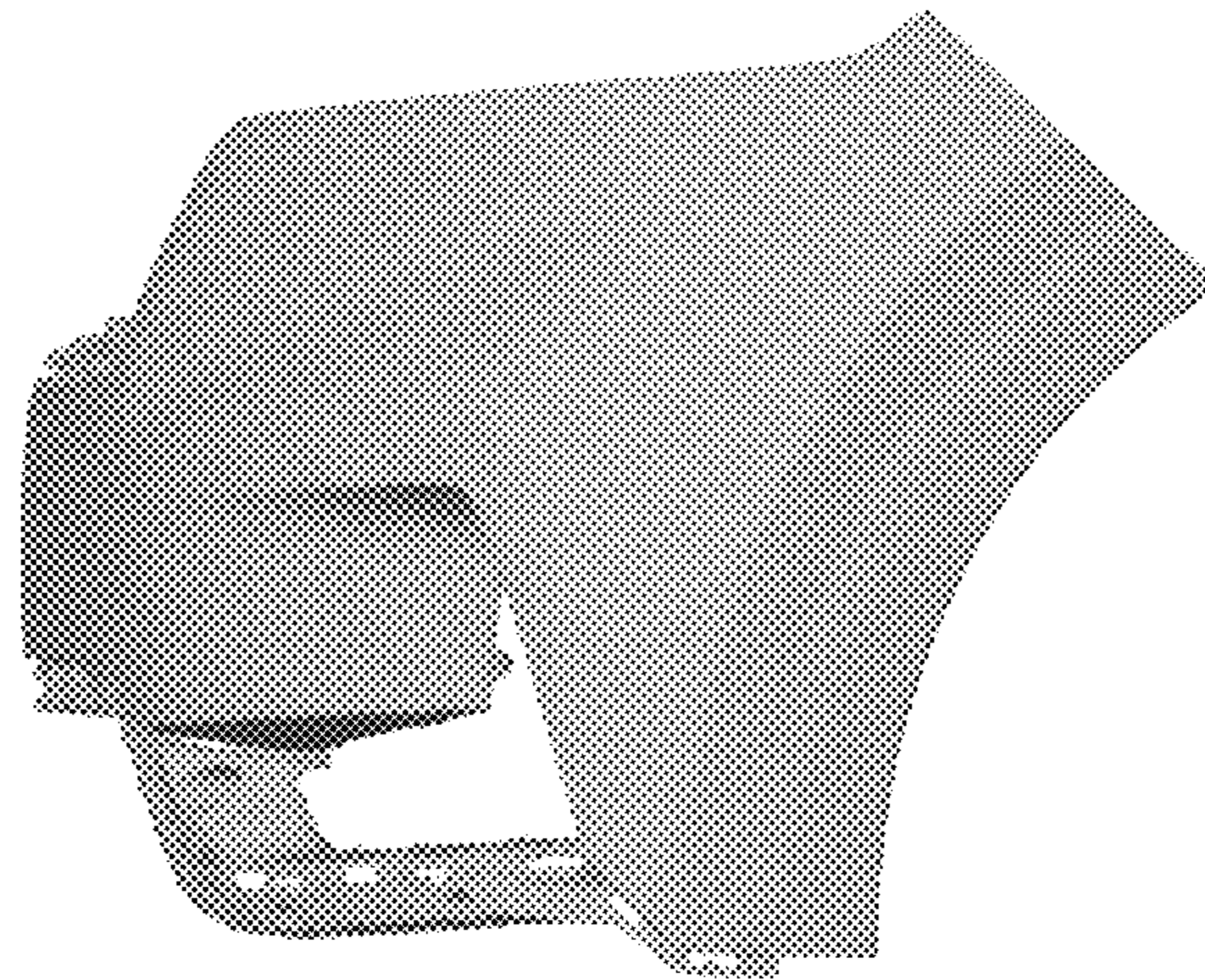
1.3



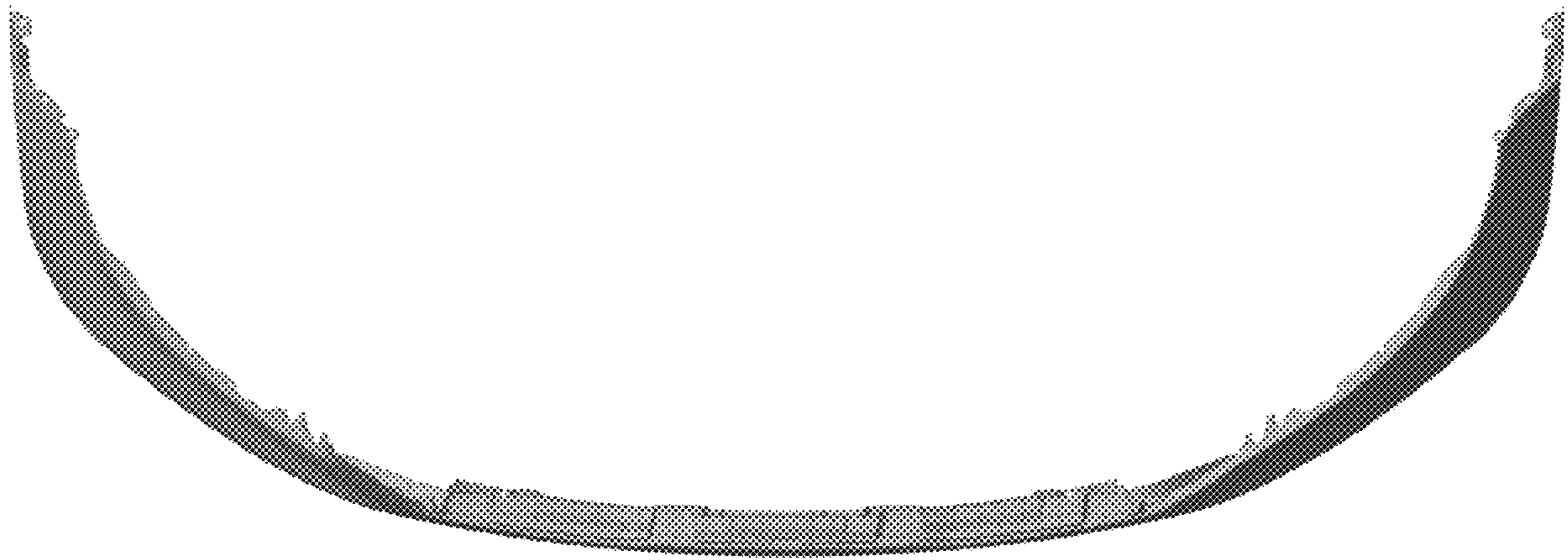
1.4



1.5



1.6



1.7

