



US00D951158S

(12) **United States Design Patent** (10) **Patent No.:** **US D951,158 S**
Kuehn et al. (45) **Date of Patent:** **** May 10, 2022**

(54) **FRONT BUMPER UPPER COVER FOR AN AUTOMOBILE**

(71) Applicants: **Hyundai Motor Company**, Seoul (KR); **Kia Motors Corporation**, Seoul (KR)

(72) Inventors: **Roberto Kuehn**, Ruesselsheim (DE); **Kwang Jae Choi**, Hwaseong-si (KR)

(73) Assignees: **Hyundai Motor Company**, Seoul (KR); **Kia Motors Corporation**, Seoul (KR)

(**) Term: **15 Years**

(21) Appl. No.: **35/511,114**

(22) Filed: **Jul. 10, 2020**

(80) **Hague Agreement Data**

Int. Filing Date: **Jul. 10, 2020**

Int. Reg. No.: **DM/209453**

Int. Reg. Date: **Jul. 10, 2020**

Int. Reg. Pub. Date: **Jan. 15, 2021**

(30) **Foreign Application Priority Data**

Mar. 31, 2020 (KR) 30-2020-0014316

(51) **LOC (13) Cl.** **12-16**

(52) **U.S. Cl.**
USPC **D12/169**

(58) **Field of Classification Search**
USPC D12/86, 90, 91, 92, 163, 164, 169, 171, D12/196, 216
CPC B60R 19/02; B60R 19/12; B60R 19/18; B60R 19/24; B60R 19/52; B60R 19/56; B60R 2019/007; B62D 25/0845

See application file for complete search history.

(56) **References Cited**

U.S. PATENT DOCUMENTS

4,597,603	A *	7/1986	Trabert	B60K 11/08
				293/115
6,886,872	B2 *	5/2005	Matsumoto	B60R 19/12
				293/115
7,434,872	B2 *	10/2008	Steller	B60R 19/18
				296/155
8,132,851	B2 *	3/2012	Steller	B60R 19/12
				296/187.04
8,157,303	B2 *	4/2012	Fortin	B62D 25/085
				293/115
D773,348	S *	12/2016	Munakata	D12/169
D801,241	S *	10/2017	Park	D12/169
D817,826	S *	5/2018	Seo	D12/169
D855,511	S *	8/2019	Smith	D12/169

(Continued)

OTHER PUBLICATIONS

“Hyundai—2022 Santa Fe.” Hyundai., Jun. 28, 2021 [online], [retrieved on Dec. 27, 2021]. Retrieved from the Internet <URL: <https://cdn.dealereprocess.org/cdn/brochures/hyundai/2022-santafe.pdf>>.*

(Continued)

Primary Examiner — Darlington Ly
(74) *Attorney, Agent, or Firm* — Mintz Levin Cohn Ferris Glovsky and Popeo, P.C.; Peter F. Corless

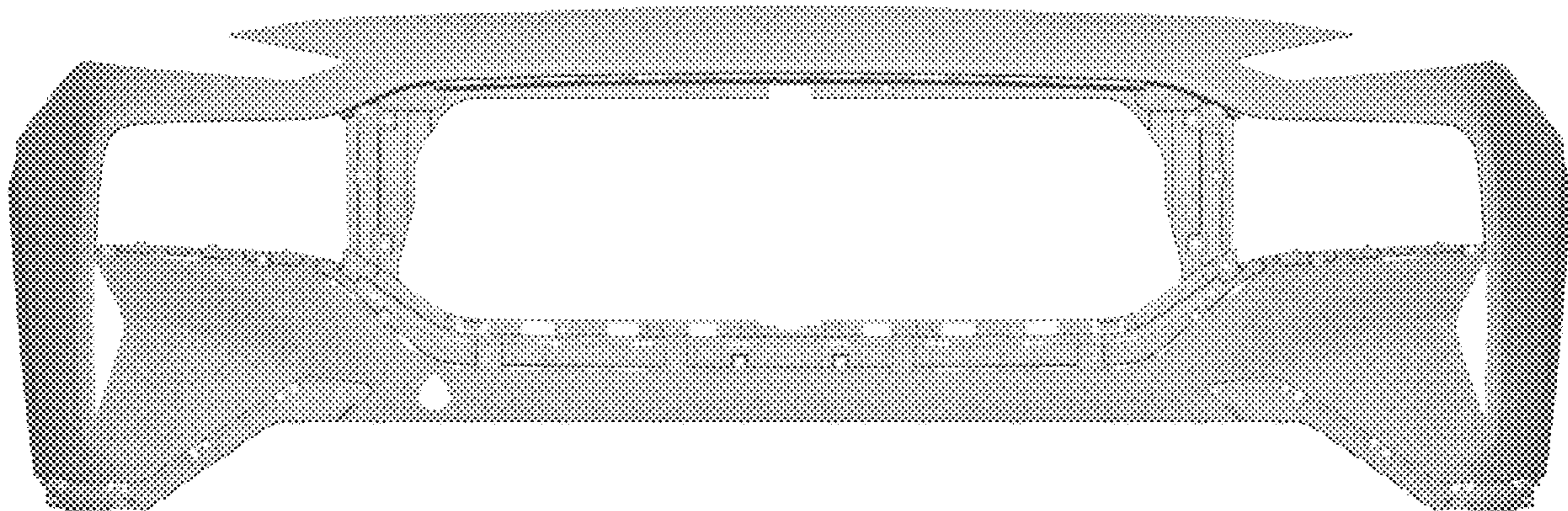
(57) **CLAIM**

The ornamental design for a front bumper upper cover for an automobile, as shown and described.

DESCRIPTION

1. Front bumper upper cover for an automobile
- 1.1 is a front perspective view of a front bumper upper cover for an automobile embodying our new design;
- 1.2 is a front elevation view thereof;
- 1.3 is a rear elevation view thereof;
- 1.4 is a right side elevation view thereof;
- 1.5 is a left side elevation view thereof;
- 1.6 is a top plan view thereof; and
- 1.7 is a bottom plan view thereof.

1 Claim, 7 Drawing Sheets



(56)

References Cited

U.S. PATENT DOCUMENTS

D870,612 S * 12/2019 Tonello D12/169
D879,680 S * 3/2020 Donfrancesco D12/169
D889,330 S * 7/2020 Patel D12/169
D890,649 S * 7/2020 Kang D12/169
D892,006 S * 8/2020 Buck D12/169
D899,978 S * 10/2020 Metros D12/169
D902,094 S * 11/2020 Peplowski D12/169
D902,095 S * 11/2020 Wietzychowski D12/169
D906,907 S * 1/2021 Yagi D12/169
D908,556 S * 1/2021 Gilbert D12/169
D917,353 S * 4/2021 Lee D12/169
D918,800 S * 5/2021 Nagasaka D12/169
D918,801 S * 5/2021 Becker D12/169
D920,190 S * 5/2021 Piaskowski D12/169
D930,526 S * 9/2021 Bernardi D12/169
D938,868 S * 12/2021 Beckies D12/169

2009/0243315 A1* 10/2009 Goldsberry B60R 19/18
293/155
2013/0107046 A1* 5/2013 Forgue B60R 19/52
348/148
2014/0291056 A1* 10/2014 Takanaga B60K 11/085
180/274
2016/0144900 A1* 5/2016 Fortin B60Q 1/0408
296/193.1

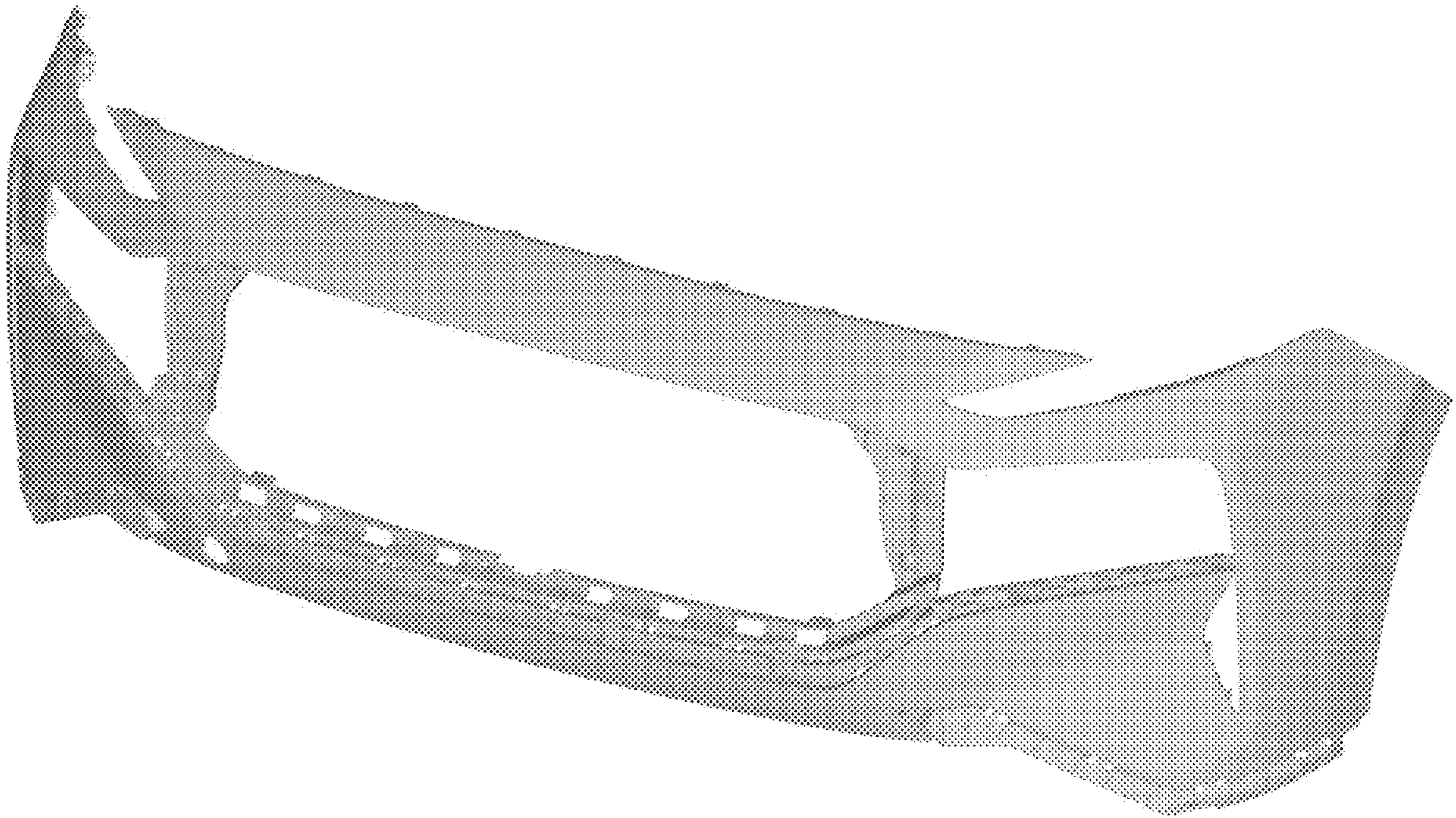
OTHER PUBLICATIONS

“2021 Hyundai Santa Fe.” Hyundai., Dec. 15, 2020 [online], [retrieved on Dec. 27, 2021]. Retrieved from the Internet <URL: <https://cdn.dealereprocess.org/cdn/brochures/hyundai/2021-santafe.pdf>>.*

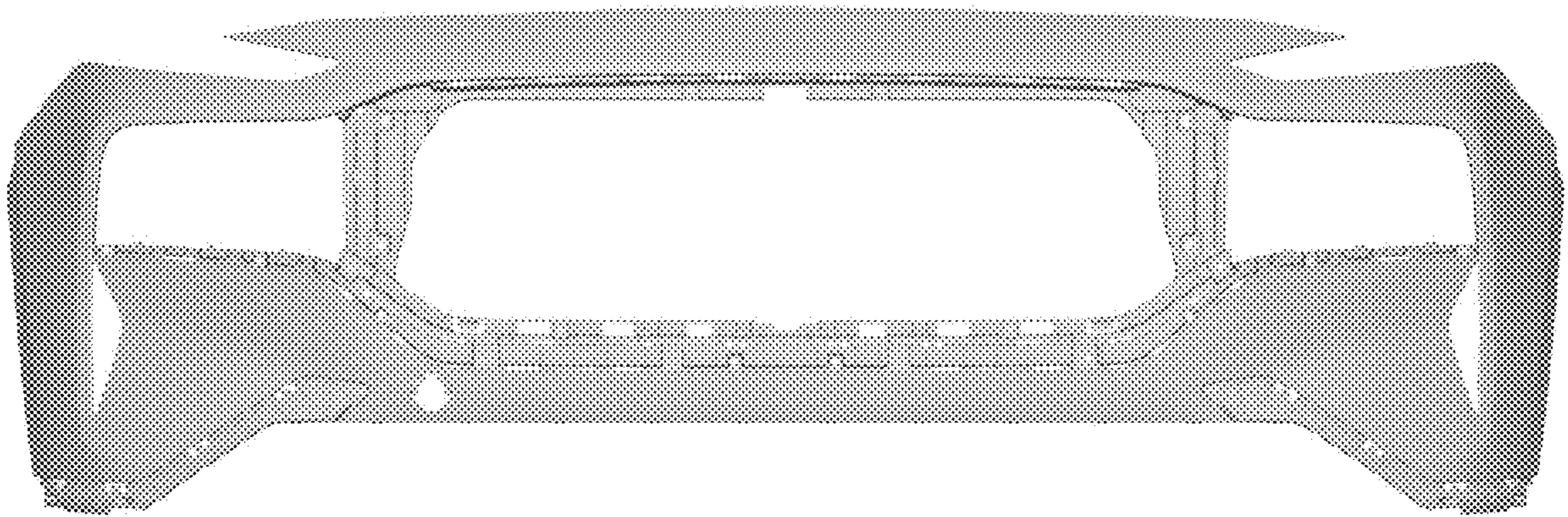
“2020 Hyundai Santa Fe.” Hyundai., Jul. 1, 2019 [online], [retrieved on Dec. 27, 2021]. Retrieved from the Internet <URL: <https://cdn.dealereprocess.org/cdn/brochures/hyundai/2020-santafe.pdf>>.*

* cited by examiner

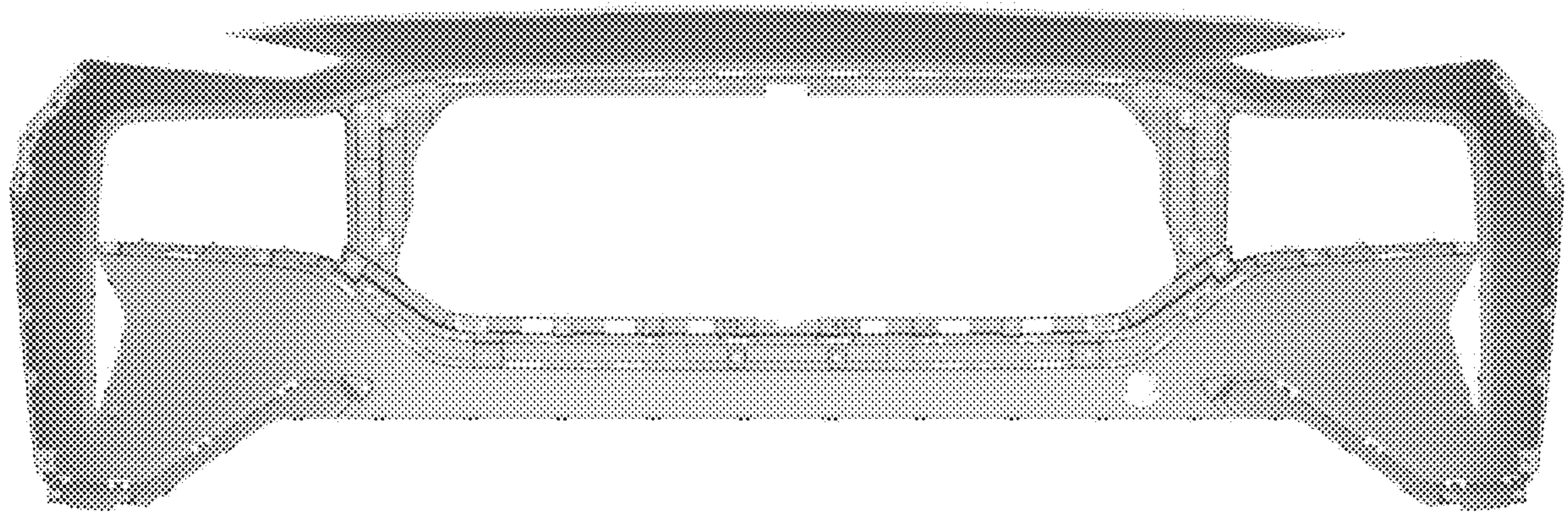
1.1



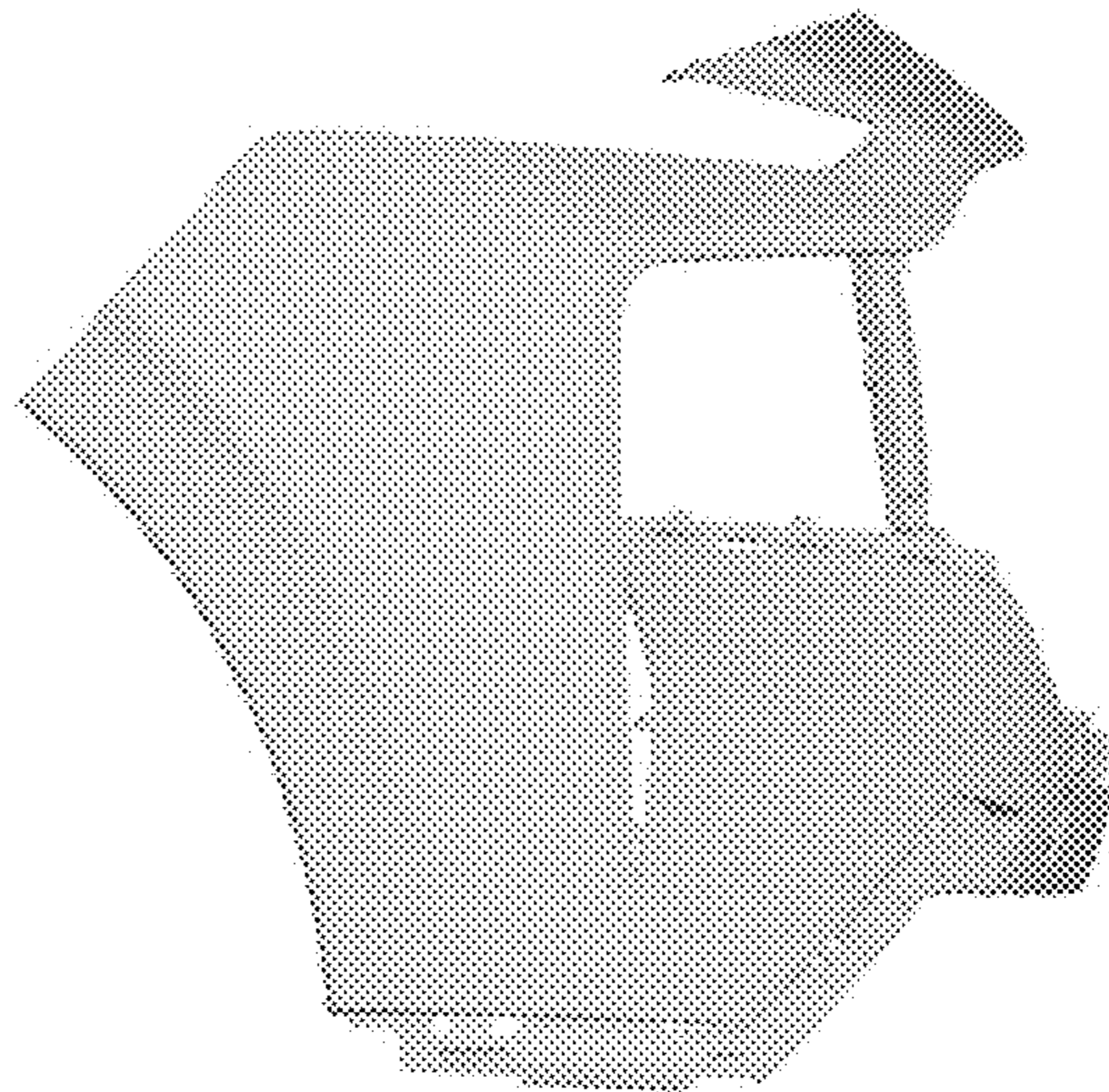
1.2



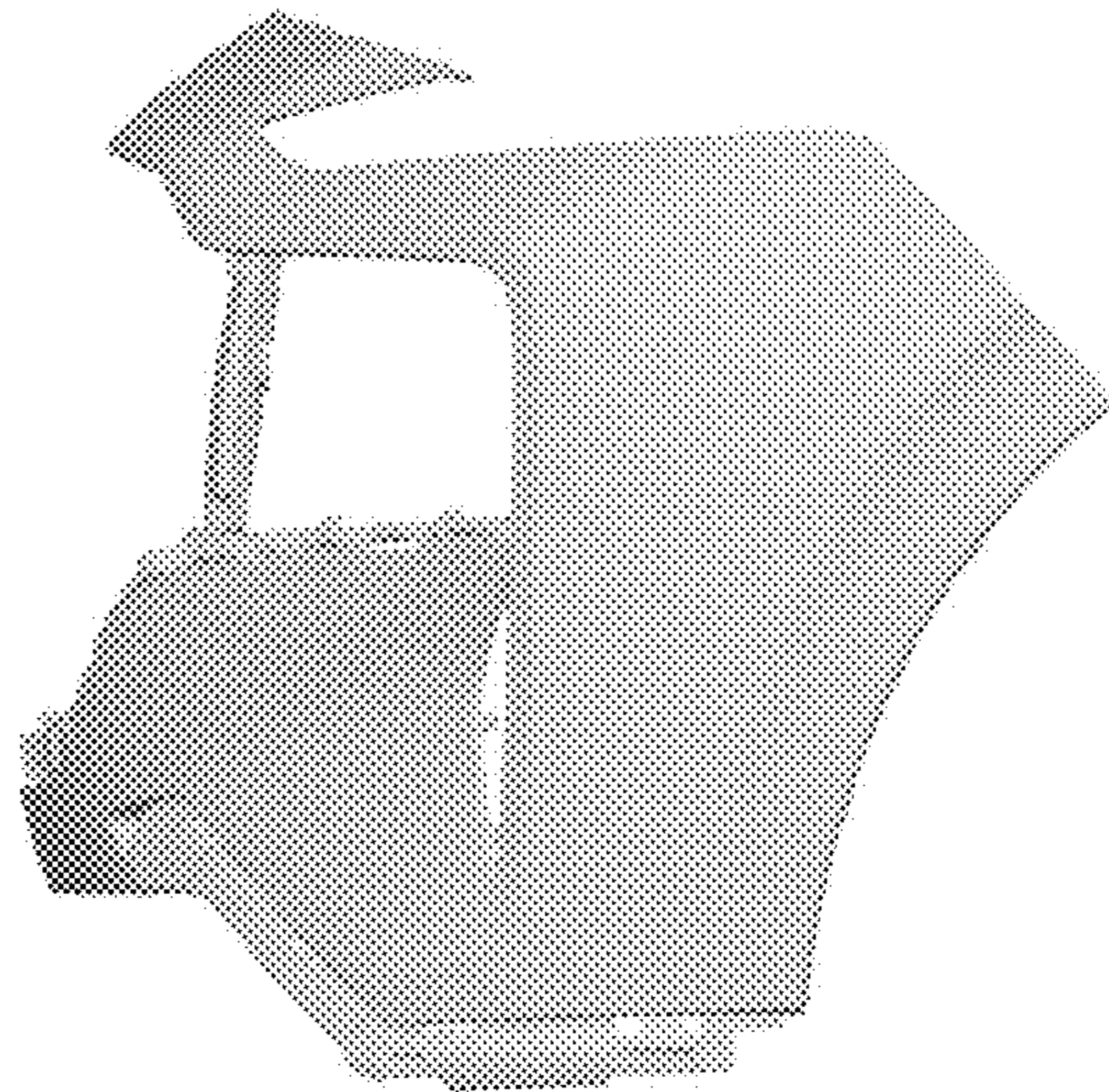
1.3



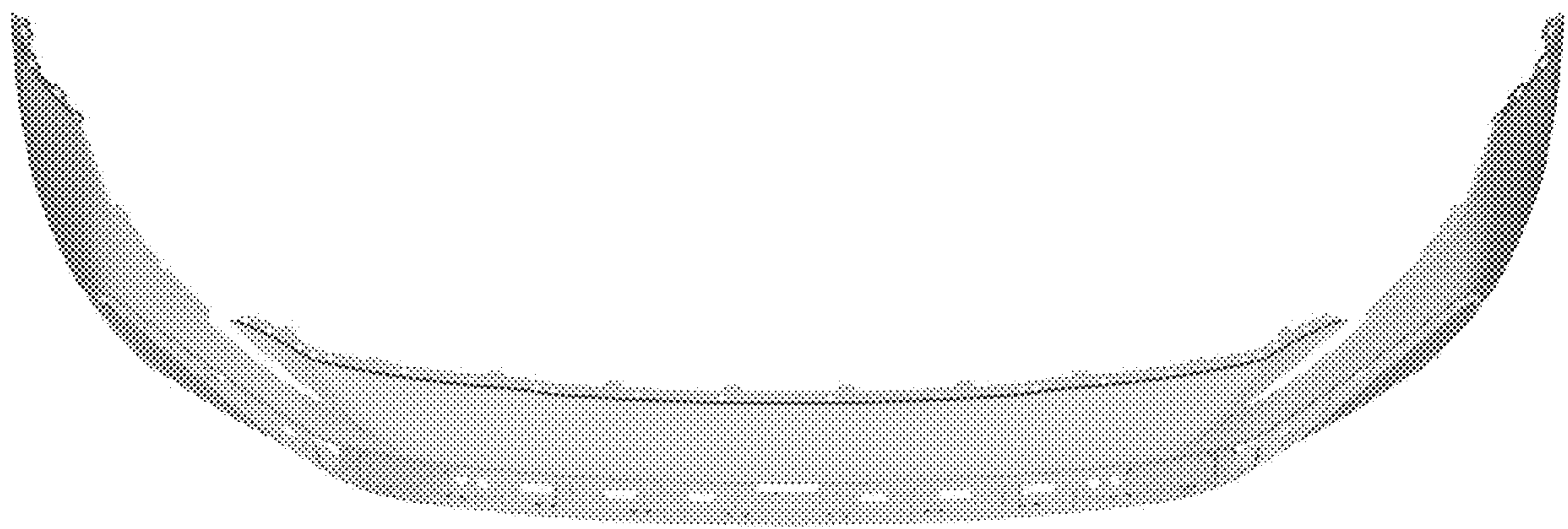
1.4



1.5



1.6



1.7

