



US00D951156S

(12) **United States Design Patent**
Verbrugge

(10) **Patent No.:** **US D951,156 S**

(45) **Date of Patent:** **** May 10, 2022**

(54) **REAR END OF A MOTOR VEHICLE**

(71) Applicant: **Dr. Ing. h.c. F. Porsche**
Aktiengesellschaft, Stuttgart (DE)

(72) Inventor: **Cyril Verbrugge, Althengstett (DE)**

(73) Assignee: **Dr. Ing. h.c. F. Porsche**
Aktiengesellschaft

(**) Term: **15 Years**

(21) Appl. No.: **29/728,025**

(22) Filed: **Mar. 16, 2020**

(30) **Foreign Application Priority Data**

Sep. 19, 2019 (DE) 402019101044.0

(51) **LOC (13) Cl.** **12-16**

(52) **U.S. Cl.**
USPC **D12/164**

(58) **Field of Classification Search**
USPC D12/86, 90-92, 164; D21/424, 433, 434,
D21/533; 296/181.1-181.5, 183.1
CPC B62D 25/00; B62D 25/06; B62D 33/00;
B62D 35/00
See application file for complete search history.

(56) **References Cited**

U.S. PATENT DOCUMENTS

D673,484 S 1/2013 Robinson
D731,927 S 6/2015 Robinson

D769,154 S 10/2016 Varga
D805,963 S 12/2017 Varga
D823,727 S * 7/2018 Hauser D12/92
D824,288 S * 7/2018 Hauser D12/92
D826,784 S * 8/2018 Hauser D12/92
D835,730 S * 12/2018 Chung D21/548
D861,539 S 10/2019 Schmölz

* cited by examiner

Primary Examiner — Melody N Brown

(74) *Attorney, Agent, or Firm* — RatnerPrestia

(57) **CLAIM**

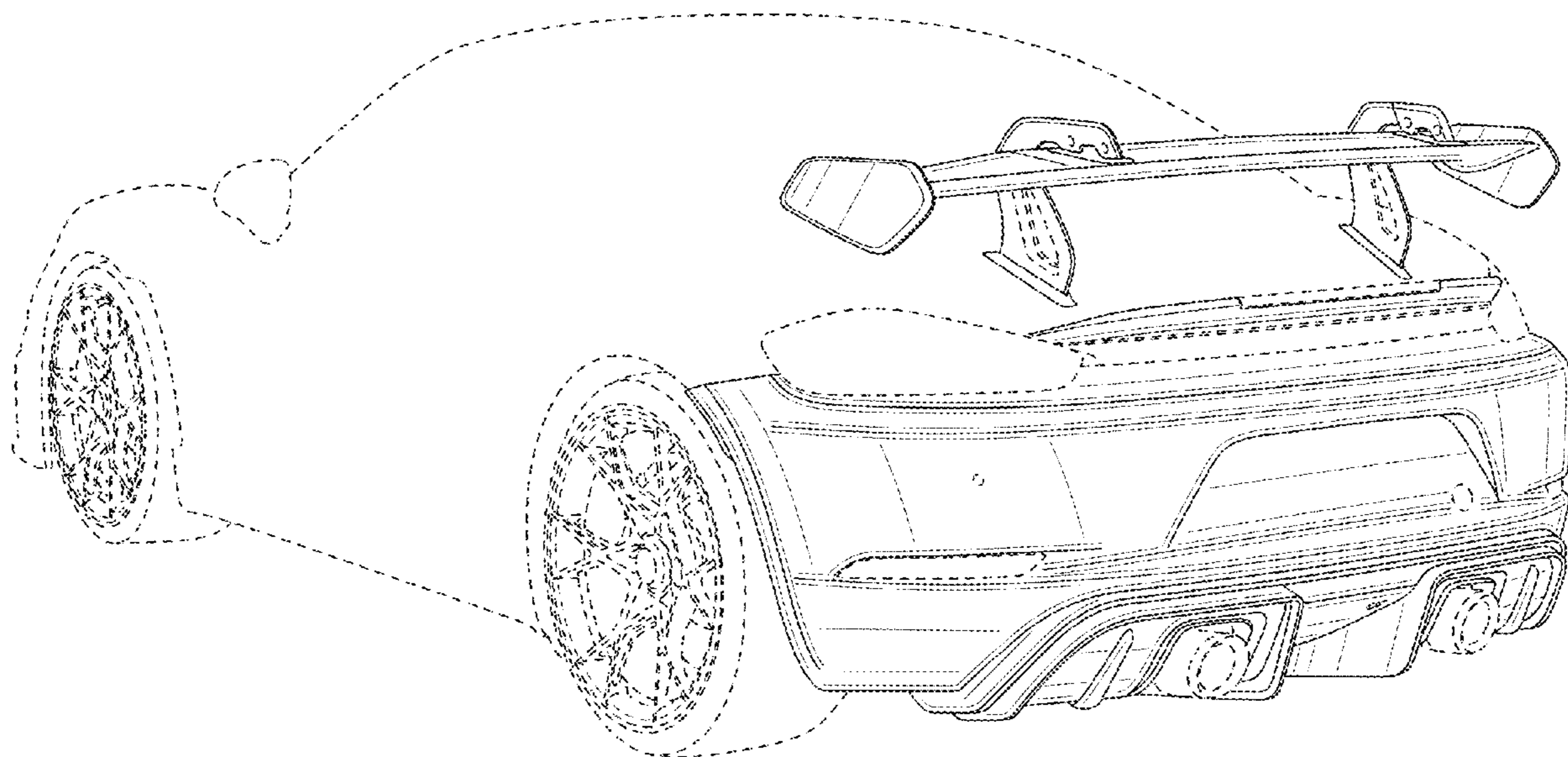
The ornamental design for a rear end of a motor vehicle, as shown and described.

DESCRIPTION

FIG. 1 is a front perspective view of a rear end of a motor vehicle;
FIG. 2 is a rear perspective view thereof;
FIG. 3 is a rear elevation view thereof;
FIG. 4 is an elevation view thereof taken from the left side, the right side being a substantial mirror image thereof;
FIG. 5 is a top plan view thereof; and,
FIG. 6 is a bottom plan view thereof.

The broken line showing of the rear end of a motor vehicle is for the purpose of illustrating portions of the rear end of a motor vehicle and forms no part of the claimed design.

1 Claim, 6 Drawing Sheets



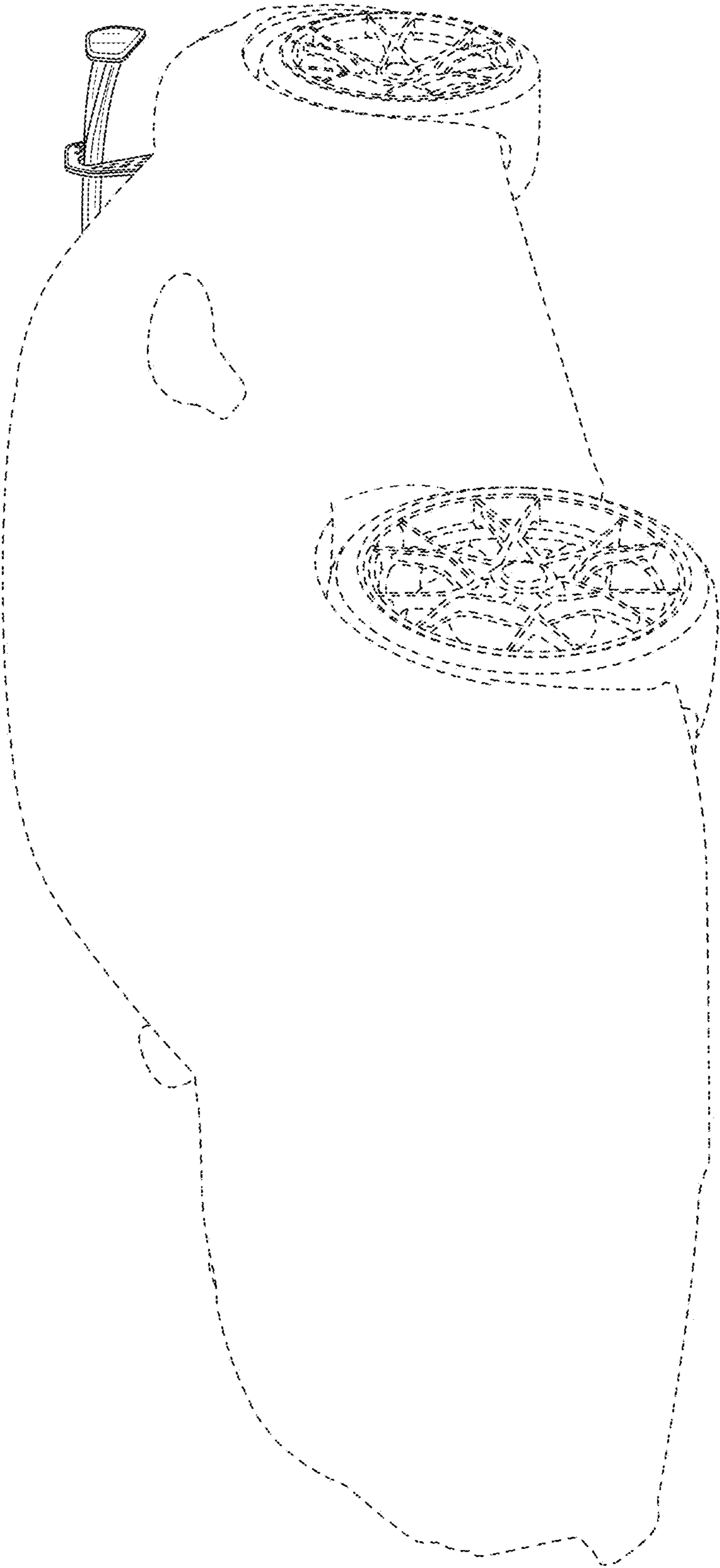


FIG. 1

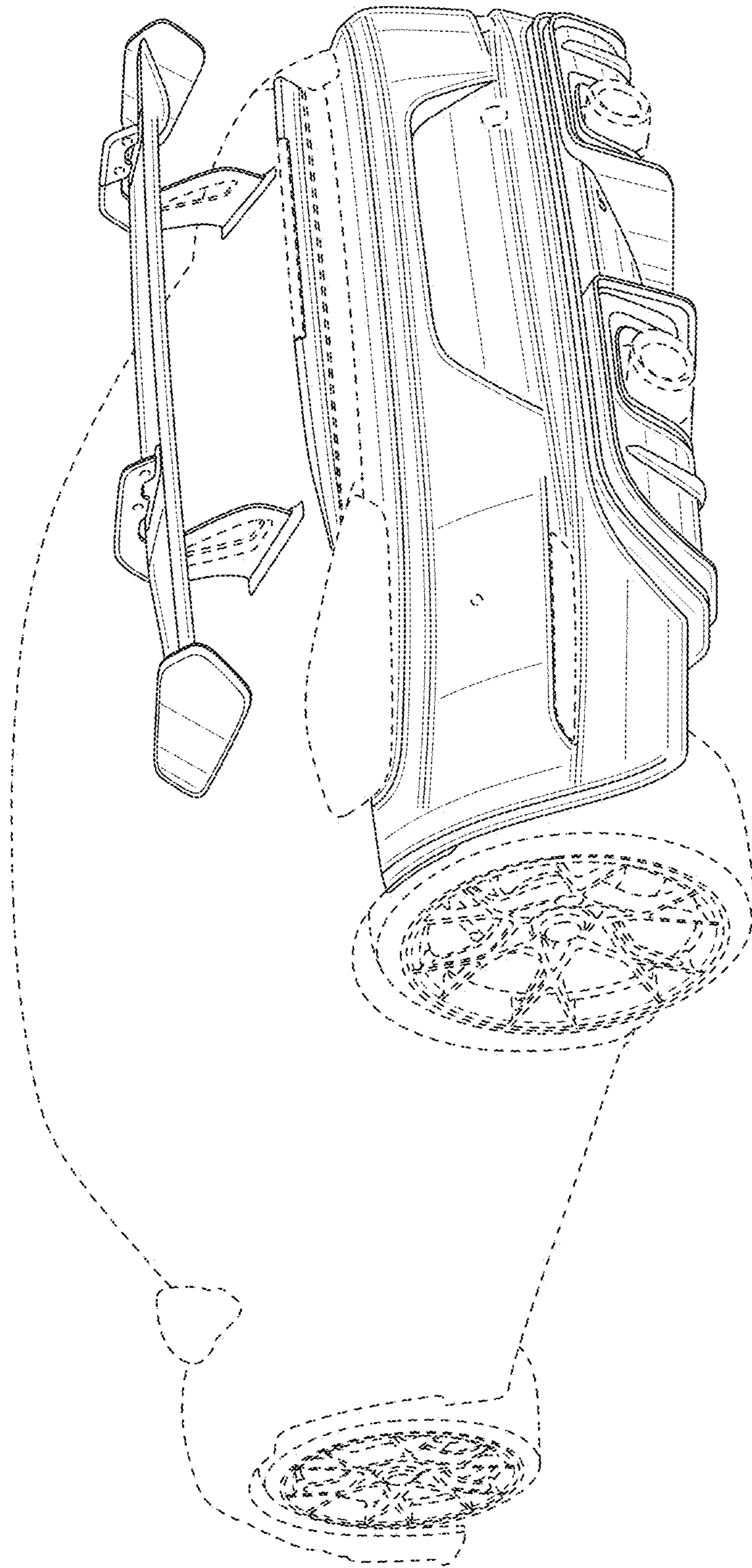


FIG. 2

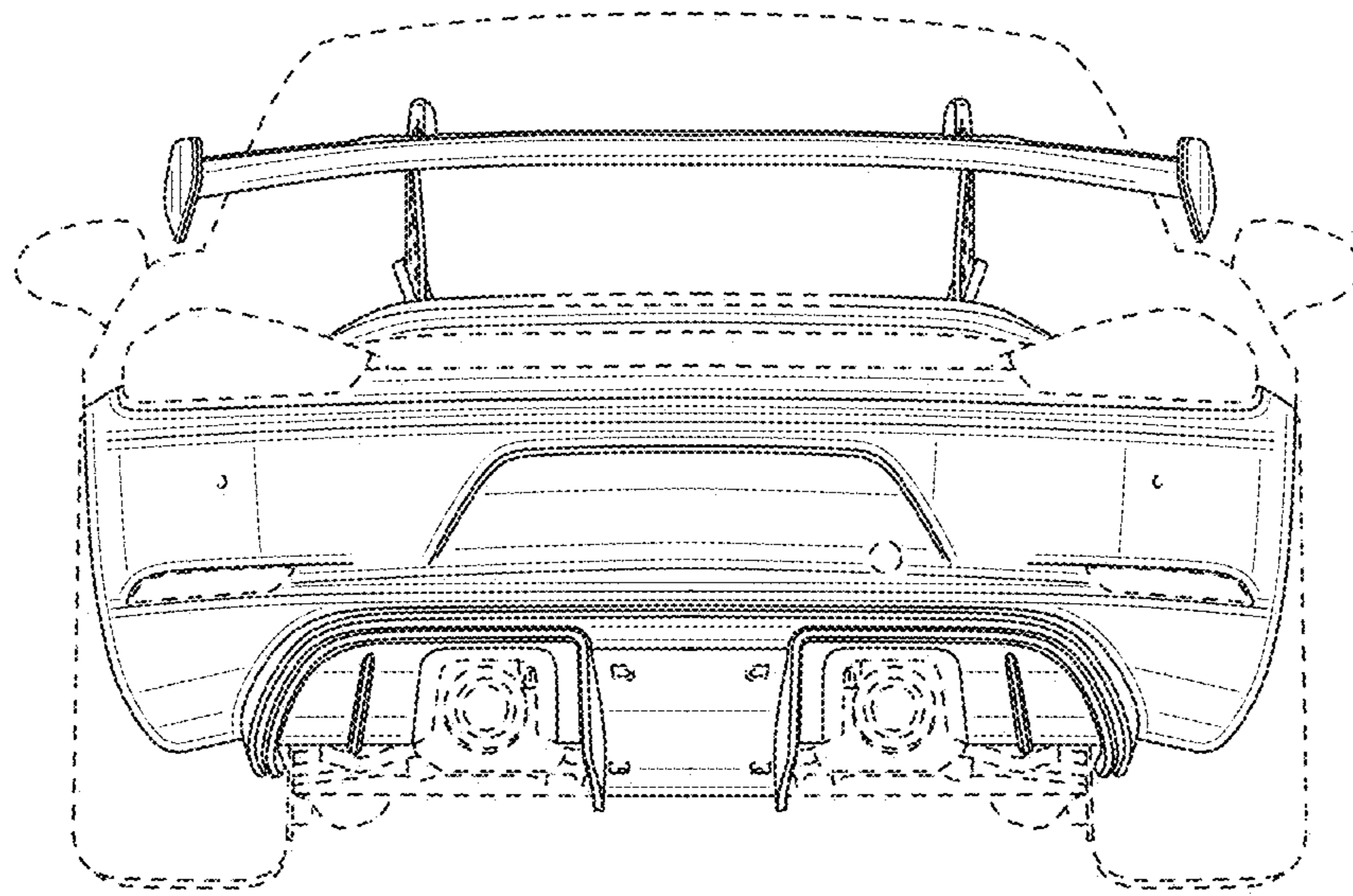


FIG. 3

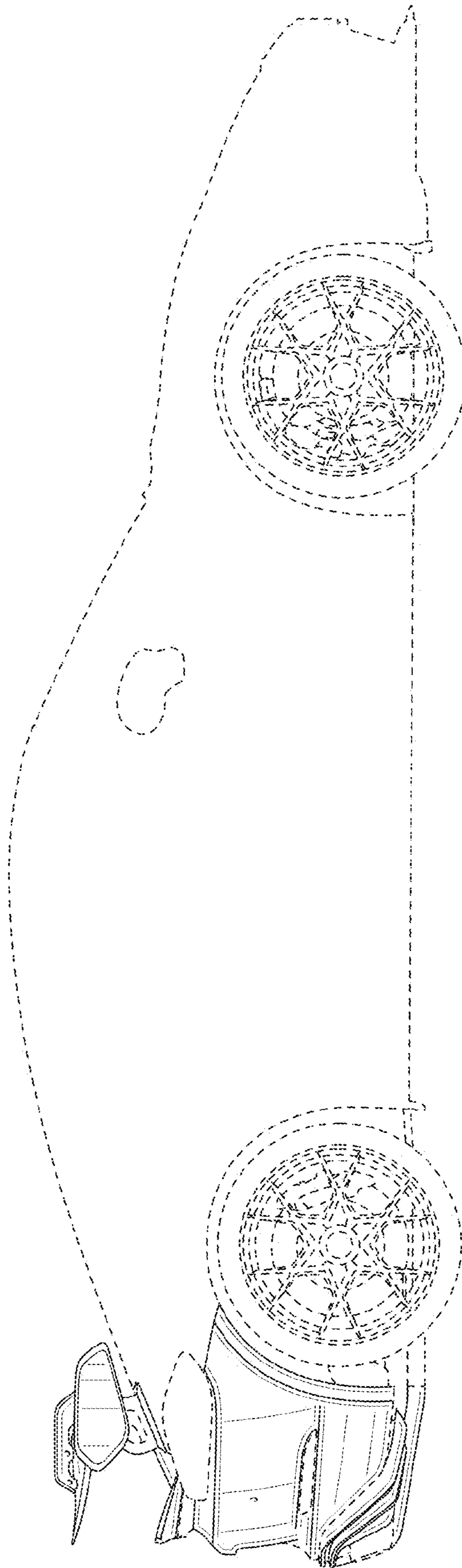


FIG. 4

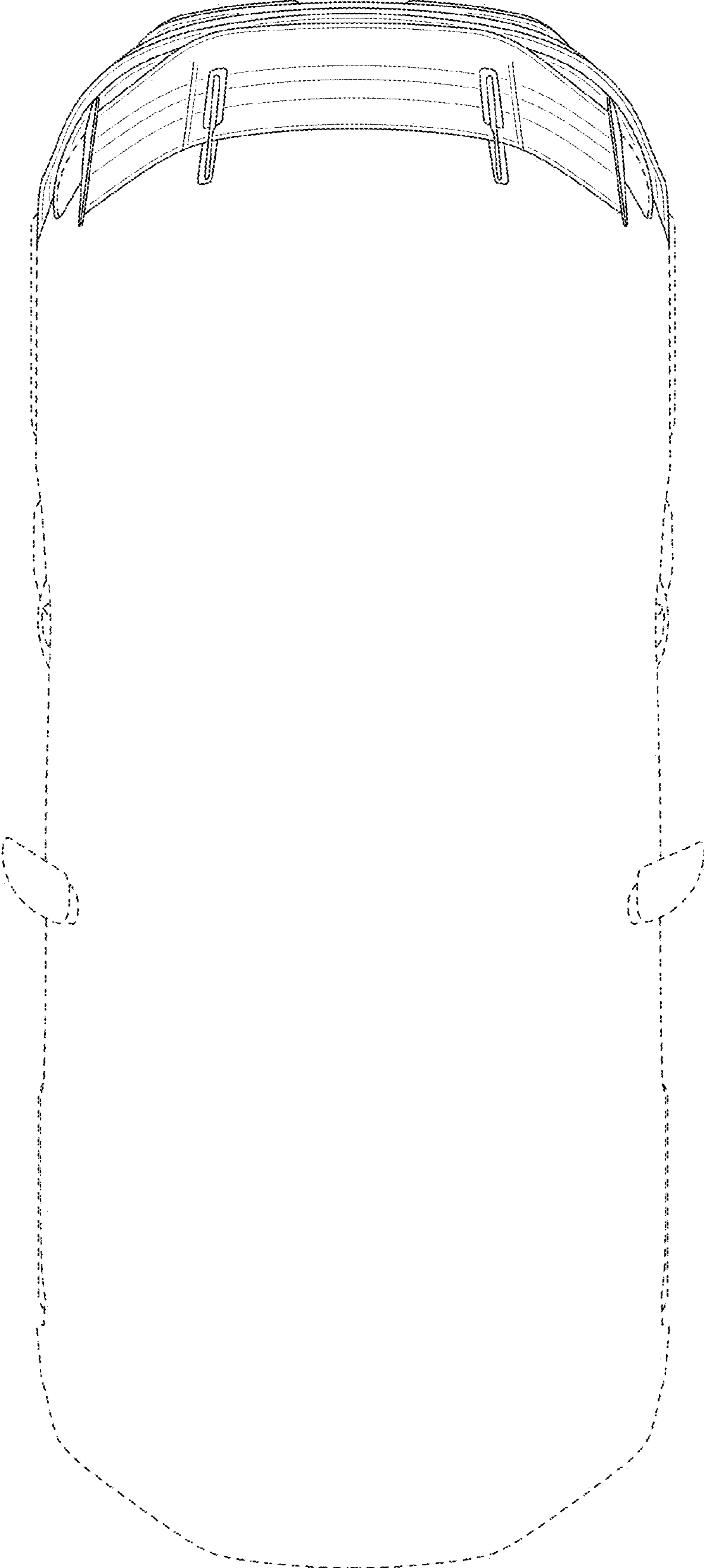


FIG. 5

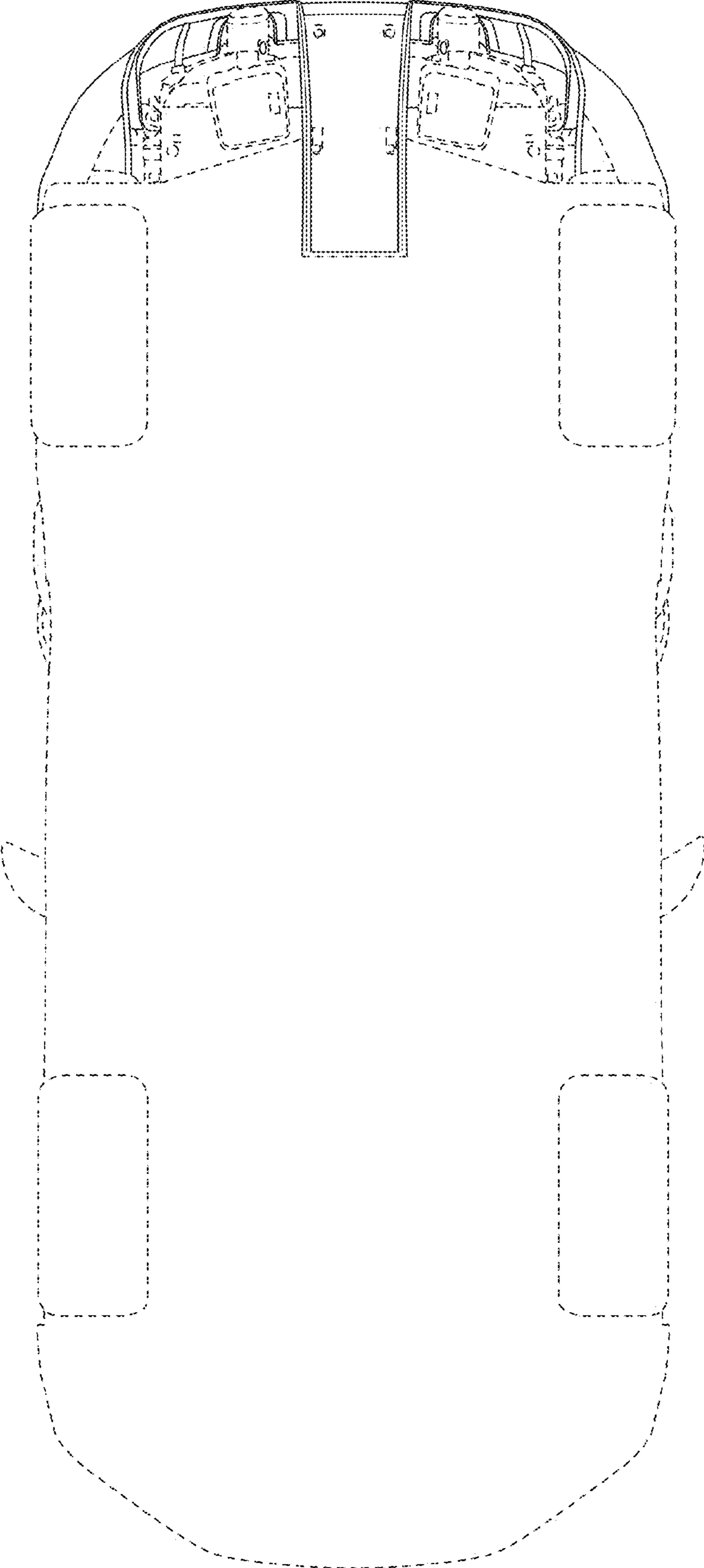


FIG. 6