



US00D951146S

(12) **United States Design Patent**  
**Gu**

(10) **Patent No.:** **US D951,146 S**

(45) **Date of Patent:** **\*\* May 10, 2022**

(54) **BICYCLE PEDAL**

(71) Applicant: **Haidong Gu**, Pomona, CA (US)

(72) Inventor: **Haidong Gu**, Pomona, CA (US)

(73) Assignee: **CYCLINGDEAL USA, INC.**, Pomona, CA (US)

(\*\*) Term: **15 Years**

(21) Appl. No.: **29/761,337**

(22) Filed: **Dec. 8, 2020**

(51) **LOC (13) Cl.** ..... **12-11**

(52) **U.S. Cl.**  
USPC ..... **D12/125**

(58) **Field of Classification Search**  
USPC ..... D12/111, 125  
CPC . B62M 3/00; B62M 3/08; B60N 3/063; B62J 25/00

See application file for complete search history.

(56) **References Cited**

**U.S. PATENT DOCUMENTS**

D284,459	S *	7/1986	Shimizu	74/594.4
D299,449	S *	1/1989	Chounan	74/594.4
D387,706	S *	12/1997	Hanamura	D12/125
D615,003	S *	5/2010	Canfield	D12/125
D687,743	S *	8/2013	Lin	D12/125
8,714,052	B2 *	5/2014	Chamberlain	B62M 3/08 74/594.4
D739,313	S *	9/2015	Chen	D12/125
D779,387	S *	2/2017	Wilson	D12/125
10,683,056	B1 *	6/2020	Chen	F16C 19/548
10,710,674	B2 *	7/2020	Inoue	B62M 3/086
10,745,080	B1 *	8/2020	Chen	B62M 3/086
10,759,490	B1 *	9/2020	Chen	F16C 35/063
10,780,942	B1 *	9/2020	Chen	B62M 3/08
10,843,769	B2 *	11/2020	Hrsel	B62M 3/086

10,875,600	B1 *	12/2020	Lopez	B62M 3/08
2006/0266154	A1 *	11/2006	Hermansen	B62M 3/08 74/594.4
2009/0241725	A1 *	10/2009	Chen	B62M 3/08 74/594.4
2010/0064846	A1 *	3/2010	Tsai	B62M 3/08 74/594.4
2012/0090424	A1 *	4/2012	Curran	B62M 3/08 74/594.4
2015/0122078	A1 *	5/2015	Chen	B62M 3/08 74/594.4
2017/0101157	A1 *	4/2017	Hsieh	B62M 3/086

**OTHER PUBLICATIONS**

Stan Portus. "Best road bike pedals 2022 | Top-rated clipless pedals for your bike." Bike Radar., Sep. 23, 2021 [online], [ retrieved on Jan. 13, 2022]. Retrieved from the Internet <URL: <https://www.bikeradar.com/advice/buyers-guides/best-road-bike-pedals/>>.\*

(Continued)

*Primary Examiner* — Darlington Ly

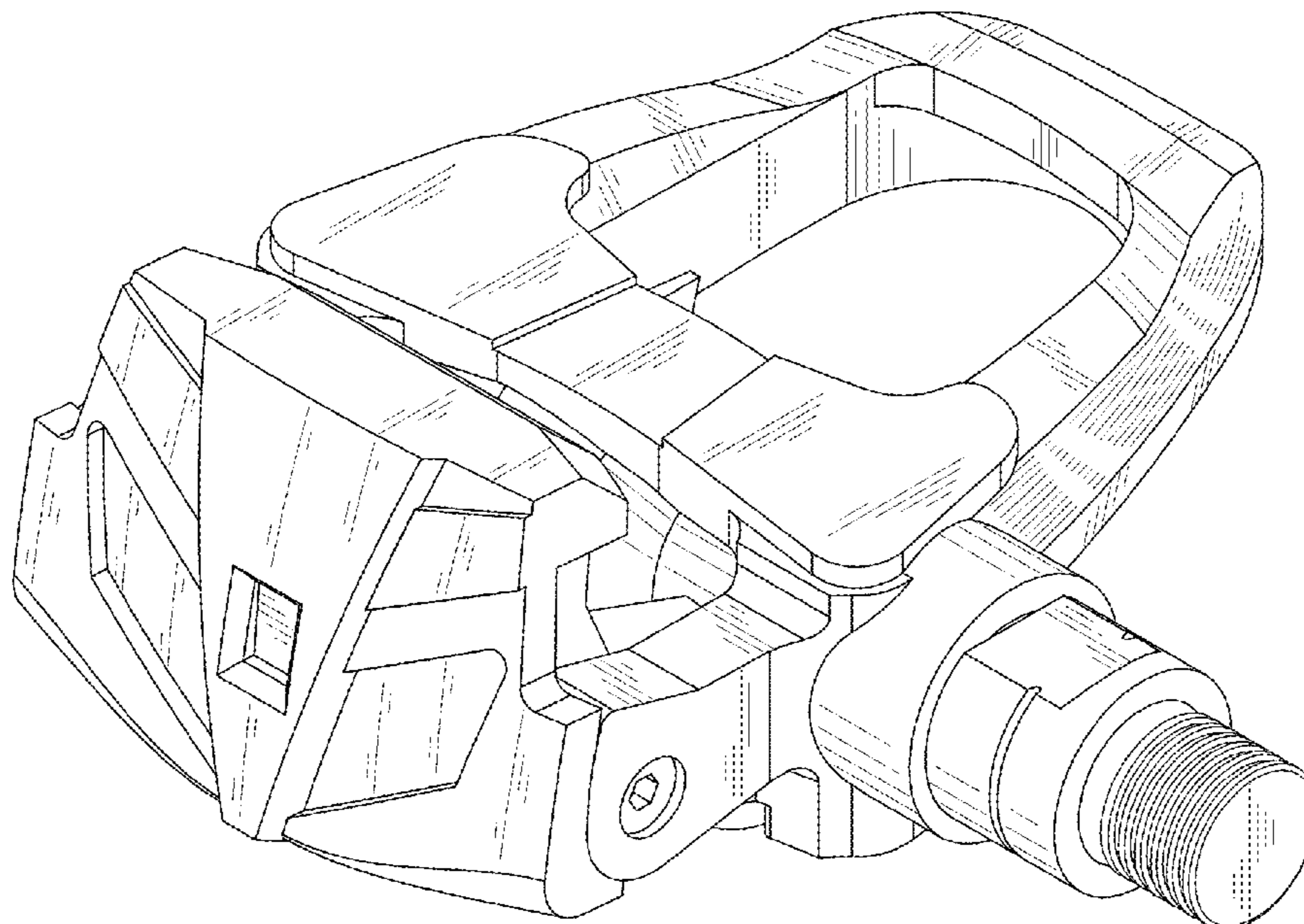
(57) **CLAIM**

The ornamental design for a bicycle pedal, as shown and described.

**DESCRIPTION**

FIG. 1 is a front-right-top perspective view of the bicycle pedal showing my new design;  
FIG. 2 is a front elevational view thereof;  
FIG. 3 is a rear front elevational view thereof;  
FIG. 4 is a left side elevational view thereof;  
FIG. 5 is a right side elevational view thereof;  
FIG. 6 is a top plan view thereof;  
FIG. 7 is a bottom plan view thereof; and,  
FIG. 8 is a perspective view from another angle of view thereof.

**1 Claim, 8 Drawing Sheets**



(56)

**References Cited**

OTHER PUBLICATIONS

Jeroen De Haas. "2022'S Top 5 Best Bike Pedal Choices For Your Bike." Bikes Reviewed., Mar. 1, 2020 [online], [retrieved on Jan. 13, 2022]. Retrieved from the Internet <URL: <https://bikesreviewed.com/gear/best-bike-pedals/>>.\*

"Dealer's Manual." Shimano., Mar. 19, 2018 [online], [retrieved on Jan. 13, 2022]. Retrieved from the Internet <URL: <https://si.shimano.com/pdfs/dm/DM-PD0002-07-ENG.pdf>>.\*

\* cited by examiner

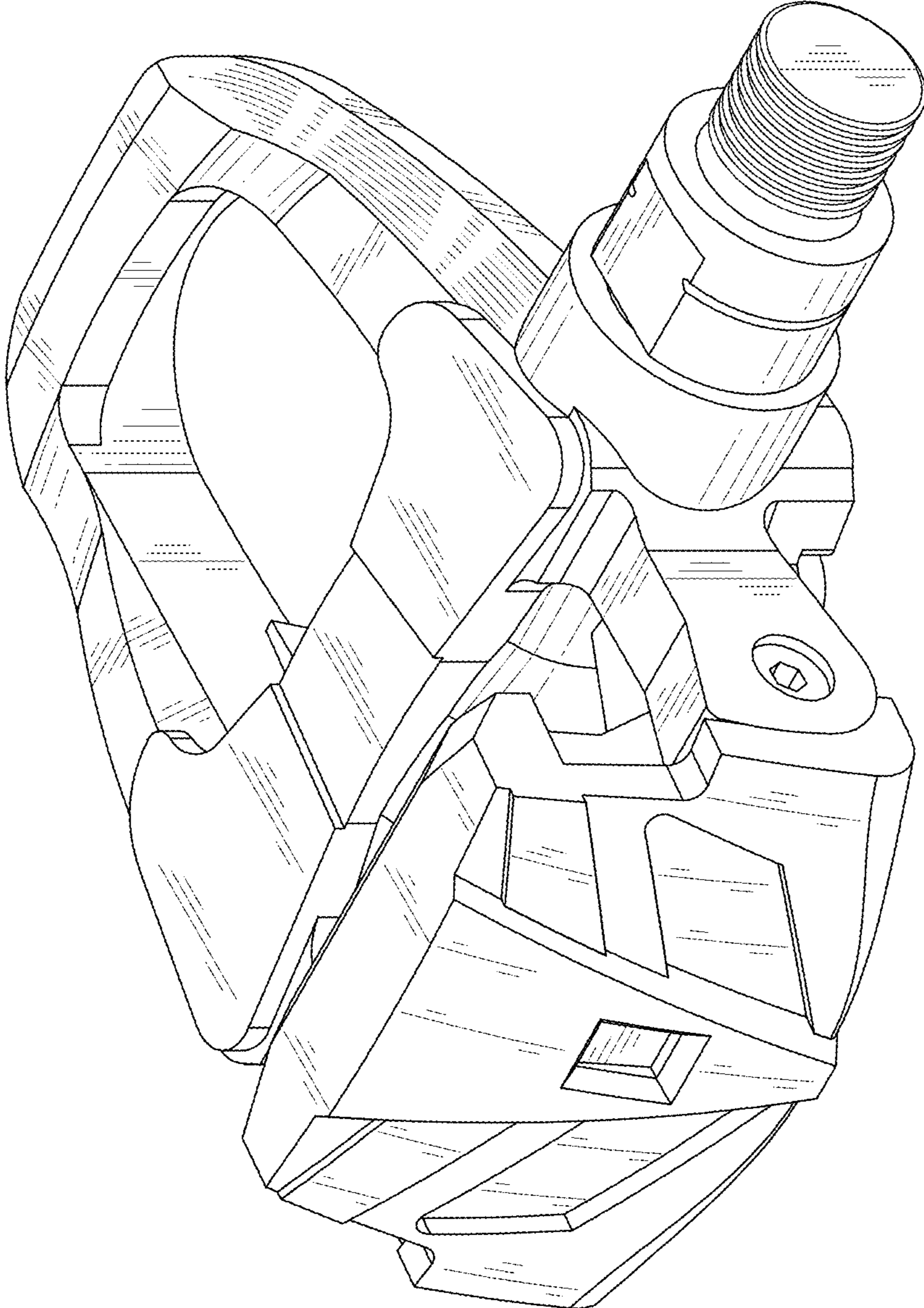


FIG.1

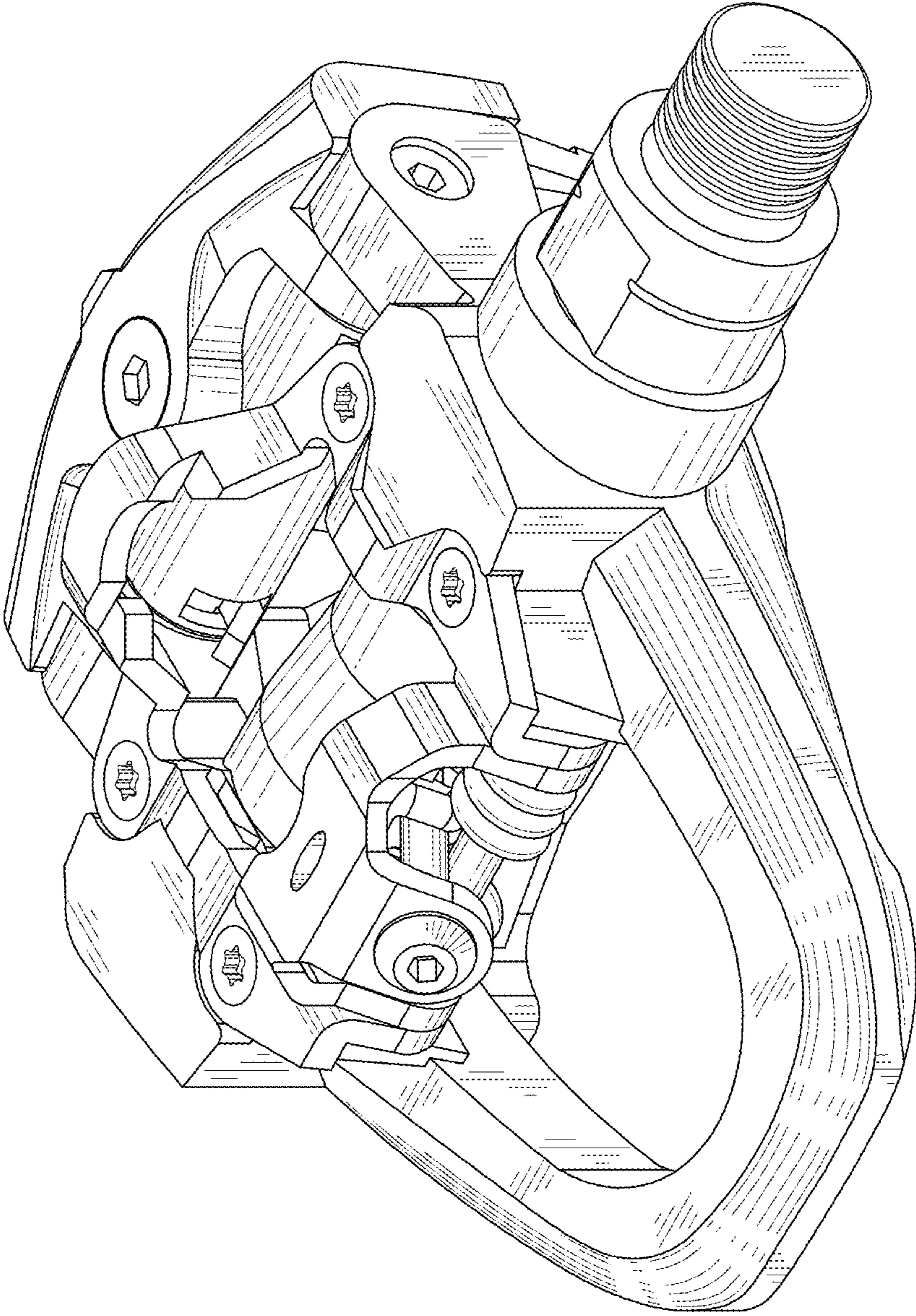


FIG.2

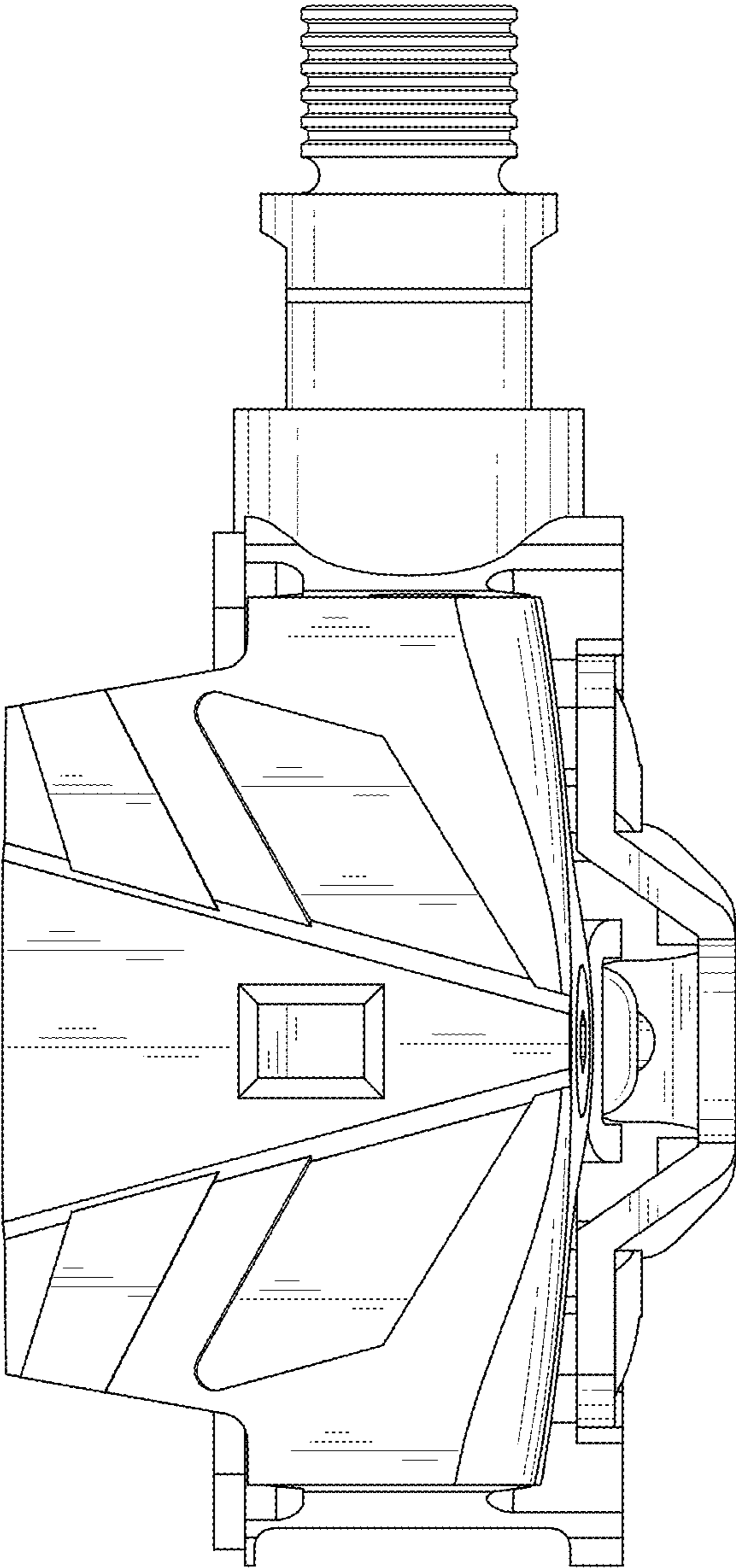


FIG.3

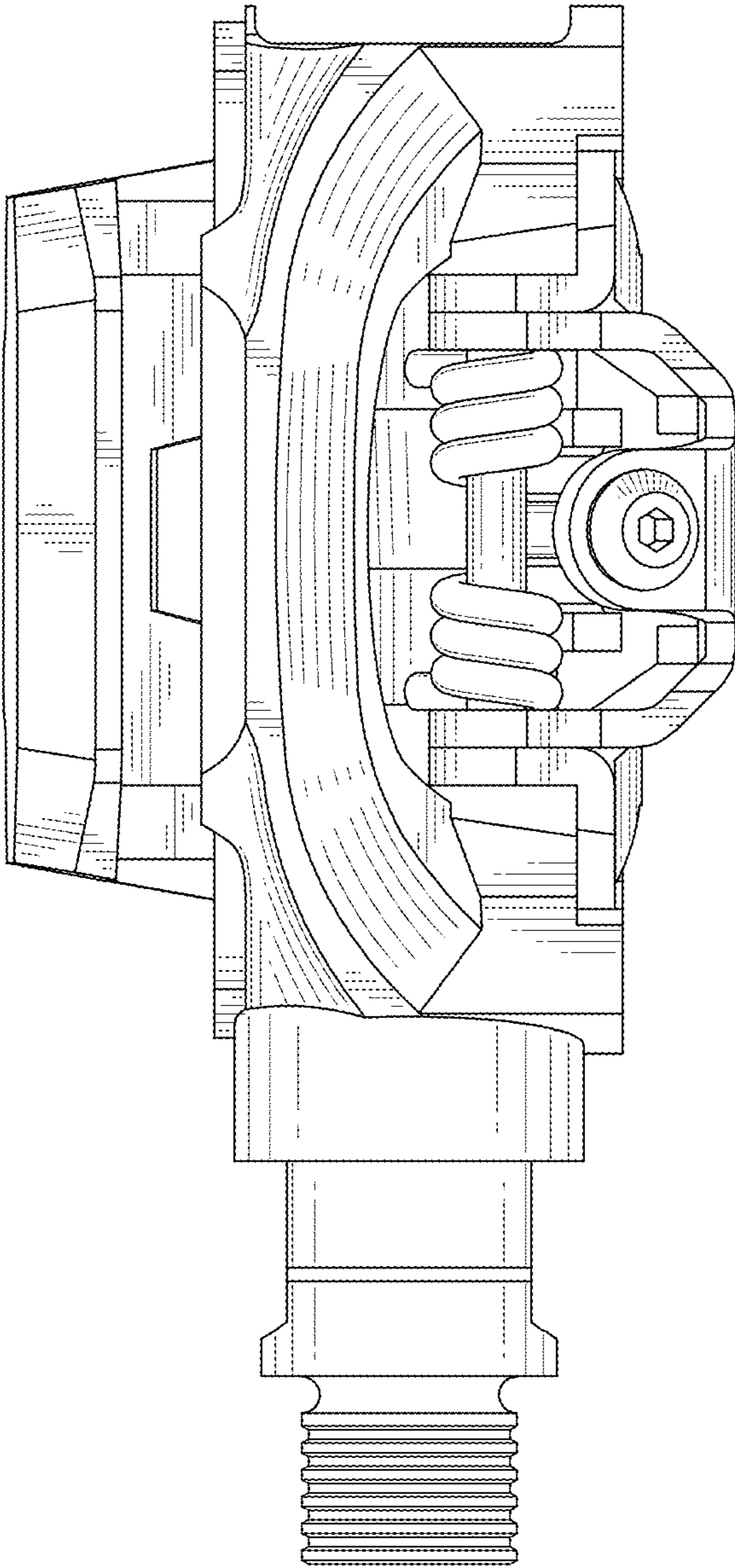


FIG.4

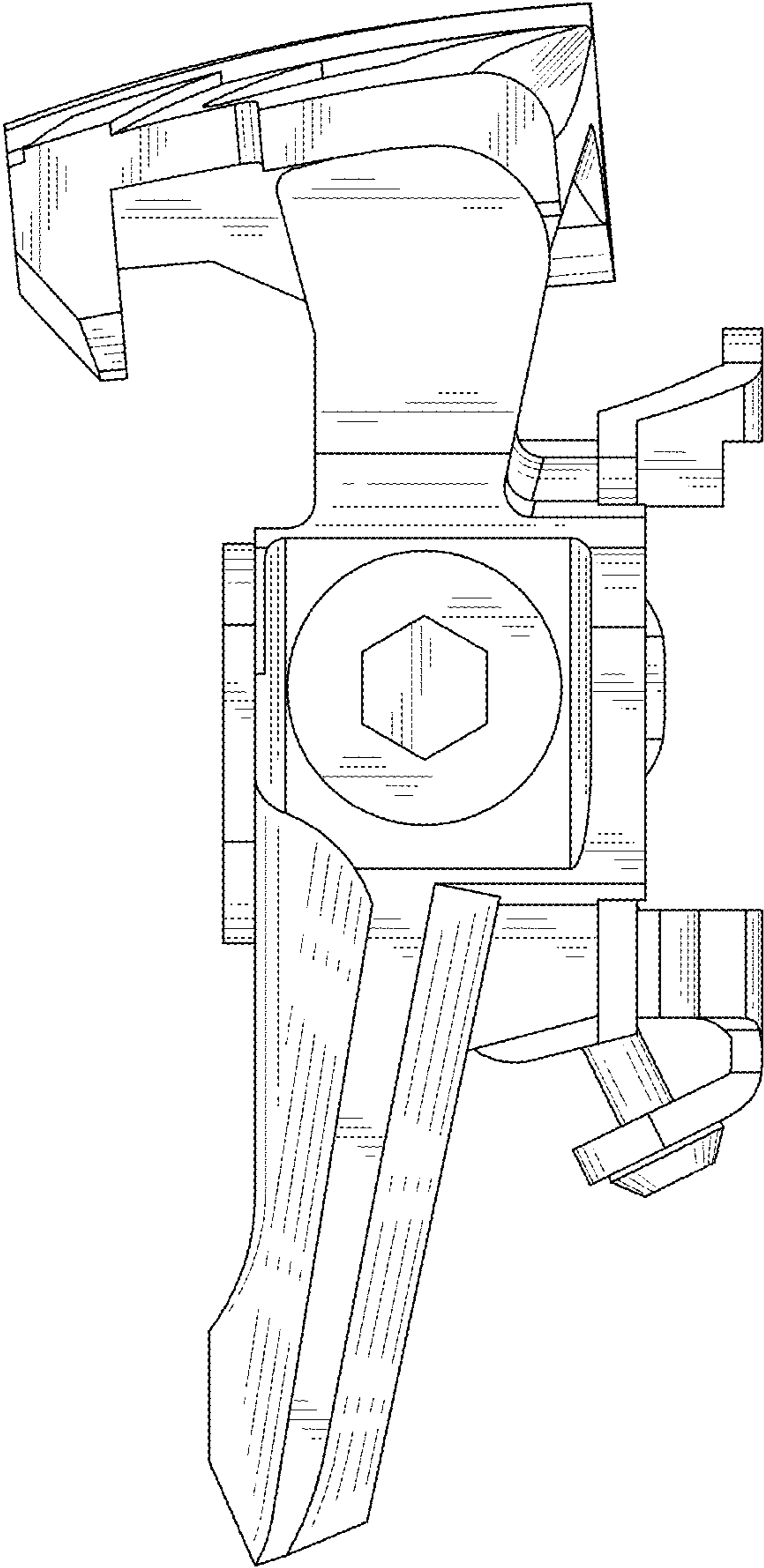


FIG. 5

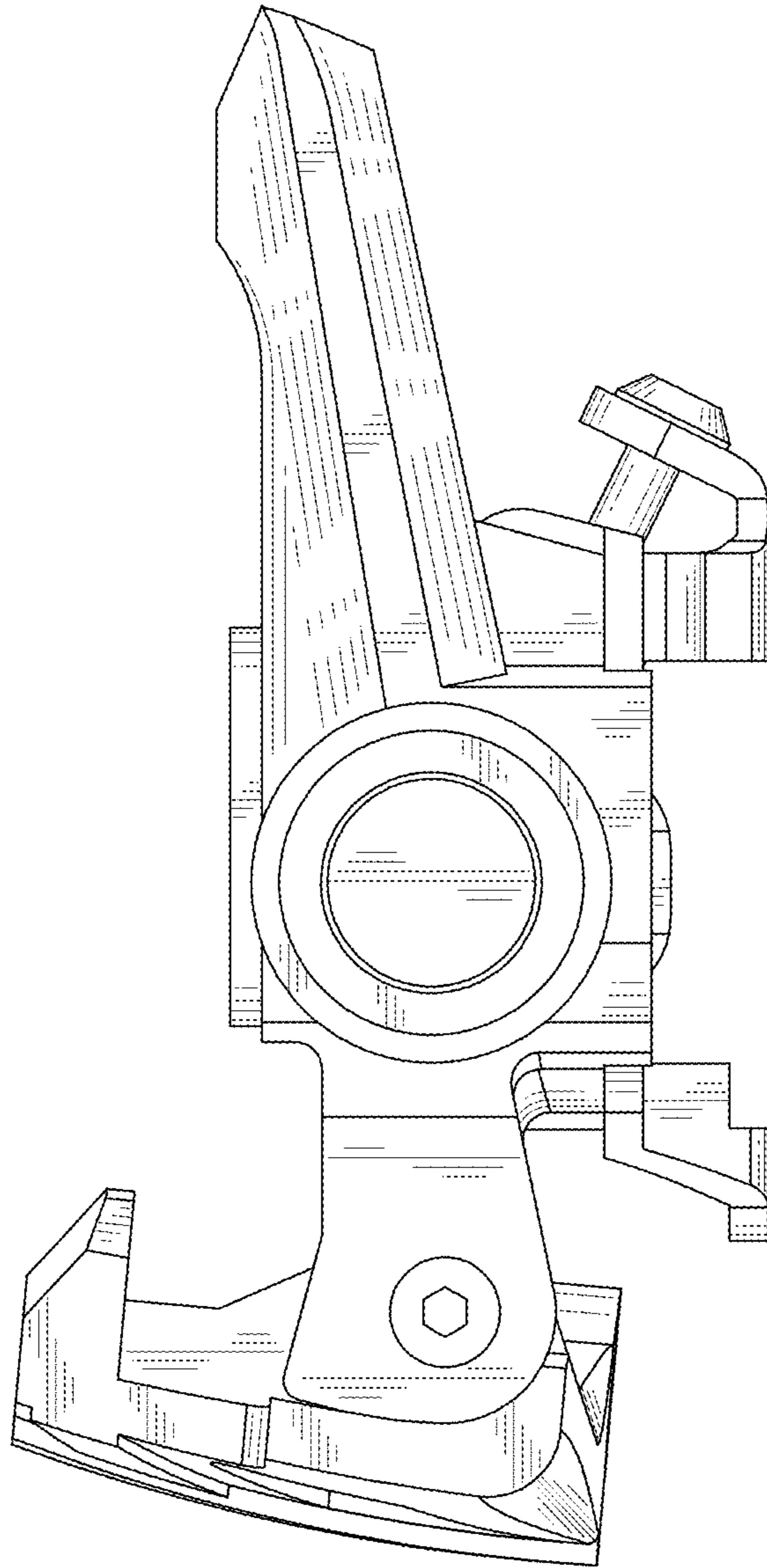


FIG.6



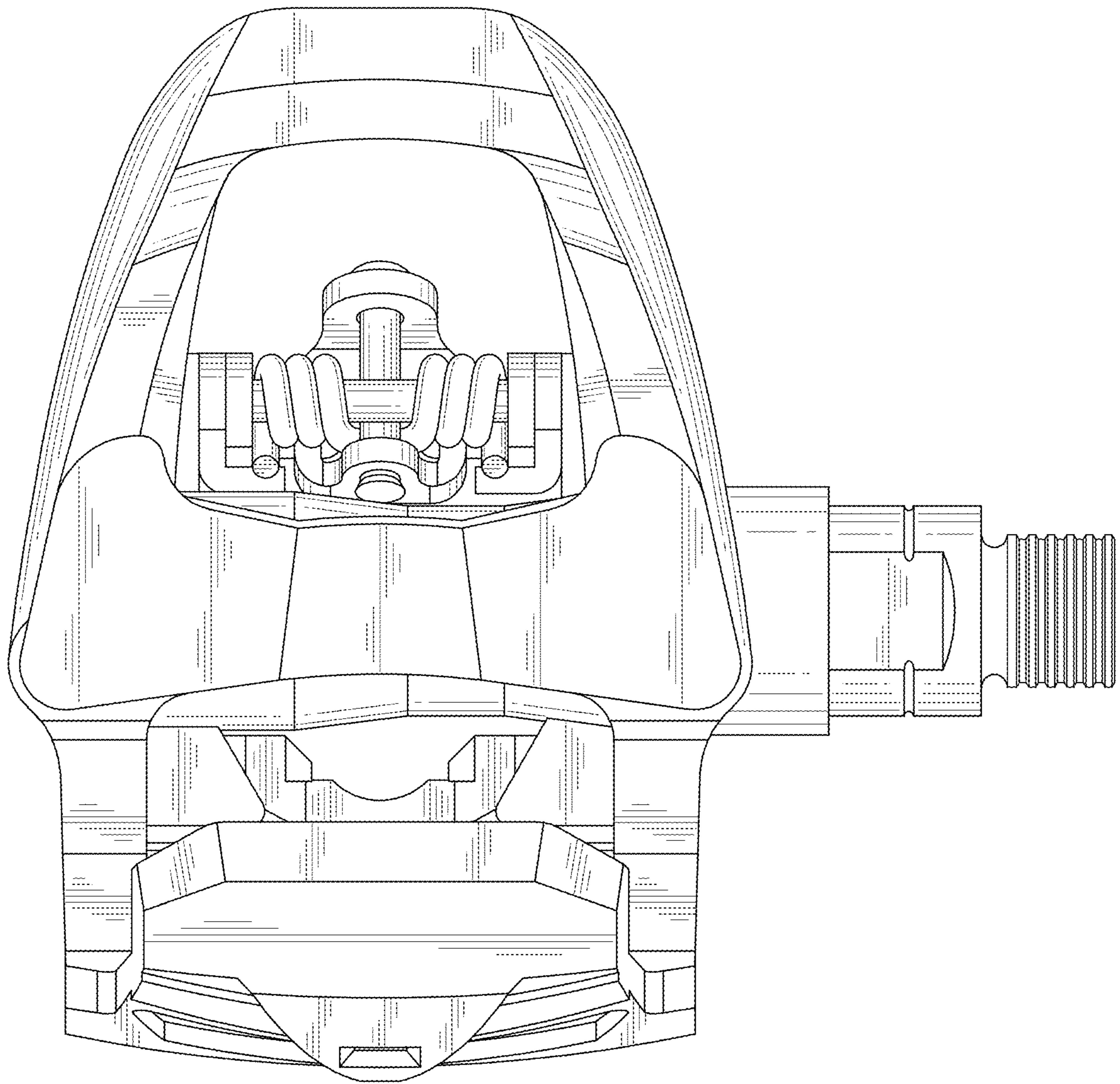


FIG.7

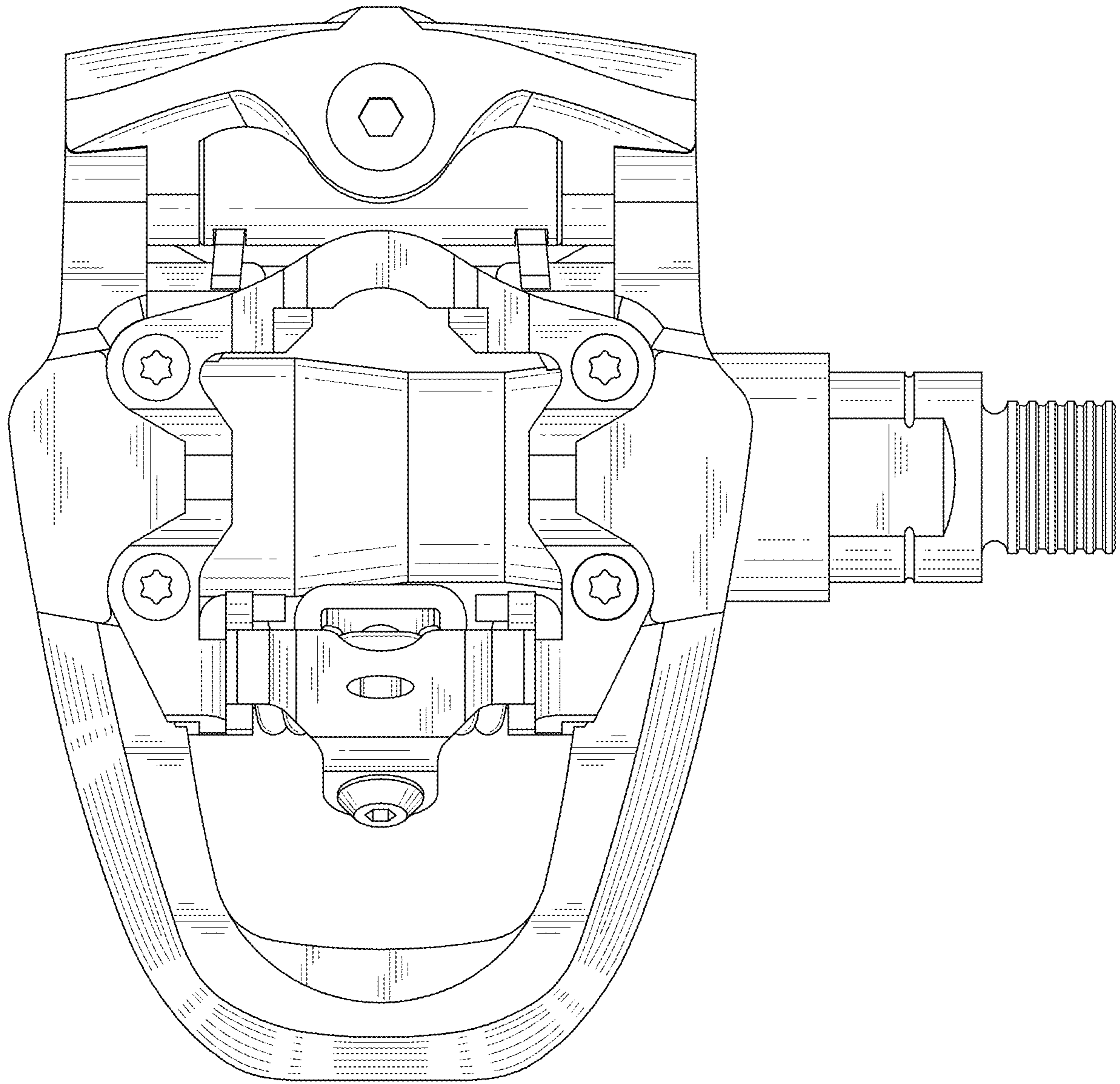


FIG.8