



US00D951144S

(12) **United States Design Patent** (10) **Patent No.:** **US D951,144 S**  
**Tomohiko** (45) **Date of Patent:** **\*\* May 10, 2022**

(54) **BICYCLE**  
(71) Applicant: **Alumis Co. Ltd.**, Tosu (JP)  
(72) Inventor: **Yoda Tomohiko**, Tosu (JP)  
(\*\*) Term: **15 Years**  
(21) Appl. No.: **29/736,781**  
(22) Filed: **Jun. 3, 2020**

D514,988 S \* 2/2006 Blankenship ..... D12/111  
D540,716 S \* 4/2007 Mohr ..... D12/111  
D574,756 S \* 8/2008 Masui ..... D12/111  
D578,440 S \* 10/2008 Giugiaro ..... D12/111  
D594,787 S \* 6/2009 Dallaire ..... D12/111  
D600,596 S \* 9/2009 Walters ..... D12/111  
D614,084 S \* 4/2010 Tanaka ..... D12/111  
D620,401 S \* 7/2010 Haller ..... D12/111  
D621,302 S \* 8/2010 Tanaka ..... D12/111  
D625,228 S \* 10/2010 Lockart ..... D12/111  
D666,946 S \* 9/2012 Uimonen ..... D12/111

(Continued)

**Related U.S. Application Data**

(63) Continuation-in-part of application No. 16/577,302, filed on Sep. 20, 2019.

(30) **Foreign Application Priority Data**

Oct. 1, 2018 (JP) ..... JP2018-186371

(51) **LOC (13) Cl.** ..... **12-11**

(52) **U.S. Cl.**  
USPC ..... **D12/111**

(58) **Field of Classification Search**  
USPC ..... D12/111, 117; D21/412, 414, 419,  
D21/423-428, 431-435  
CPC ..... B62K 3/00; B62K 3/02; B62K 3/06  
See application file for complete search history.

(56) **References Cited**

**U.S. PATENT DOCUMENTS**

D152,430 S \* 1/1949 Mennesson ..... D12/111  
D177,686 S \* 5/1956 Mennesson ..... D12/111  
D185,575 S \* 6/1959 Schreckengost ..... D12/111  
D195,019 S \* 4/1963 Schreckengost ..... D12/126  
D209,123 S \* 10/1967 Elia ..... D12/111  
D216,538 S \* 2/1970 Hill ..... D12/111  
D220,023 S \* 2/1971 Fujiyoshi ..... D12/110  
D235,249 S \* 6/1975 Kitsuda ..... D12/111  
D386,723 S \* 11/1997 Fujieda ..... D12/110  
D396,670 S \* 8/1998 Wasserhess ..... D12/111  
D421,936 S \* 3/2000 Hong ..... D12/111  
D465,438 S \* 11/2002 Masui ..... D12/111

**OTHER PUBLICATIONS**

Megan Flottorp. "Step-Through Bikes 101." We Love Cycling., Apr. 16, 2021 [online], [retrieved on Feb. 25, 2022]. Retrieved from the Internet <URL: <https://www.welovecycling.com/wide/2021/04/16/step-through-bikes-101/?state=NEW&aid=rbphkupw-70b2-ap3i-p6he-0rkrst8vnjc&or=www.google.com>>.\*

(Continued)

*Primary Examiner* — Darlington Ly  
(74) *Attorney, Agent, or Firm* — Argus Intellectual Enterprise; Jordan Sworen; Daniel Enea

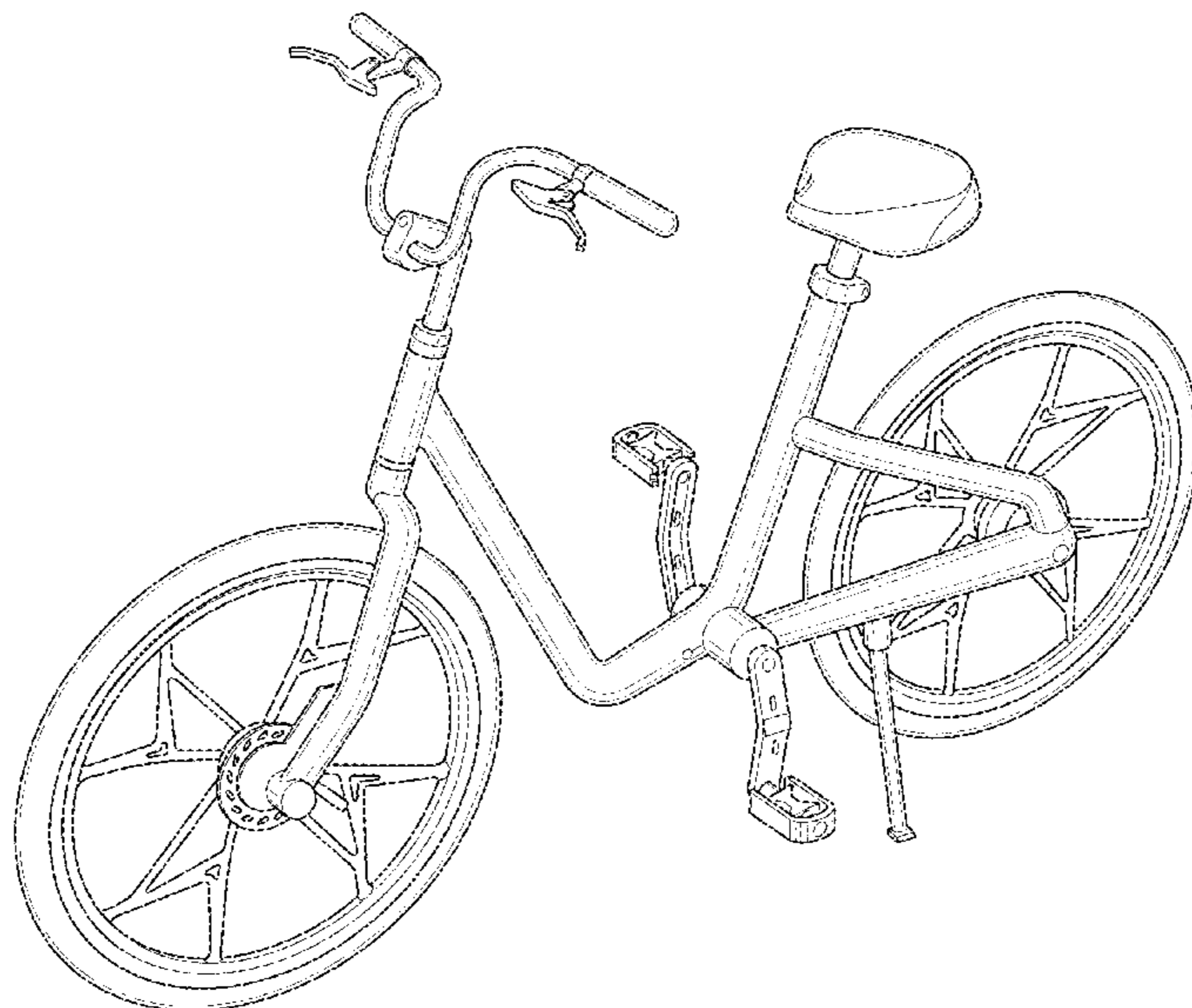
(57) **CLAIM**

The ornamental design for a bicycle, as shown and described.

**DESCRIPTION**

FIG. 1 is a front and left side perspective view of a bicycle embodying my new design;  
FIG. 2 is a rear and left side perspective view thereof;  
FIG. 3 is a left side elevation view thereof;  
FIG. 4 is a right side elevation view thereof;  
FIG. 5 is a front elevation view thereof;  
FIG. 6 is a rear elevation view thereof;  
FIG. 7 is a top plan view thereof; and,  
FIG. 8 is a rear and left side perspective view thereof.

**1 Claim, 7 Drawing Sheets**



(56)

References Cited

U.S. PATENT DOCUMENTS

D721,014 S \* 1/2015 Kahler, Jr. .... D12/111  
 D727,214 S \* 4/2015 Yang ..... D12/111  
 D730,779 S \* 6/2015 Arbour ..... D12/111  
 D730,780 S \* 6/2015 Arbour ..... D12/111  
 D745,836 S \* 12/2015 Poster ..... D12/111  
 D774,966 S \* 12/2016 Finbow ..... D12/111  
 D774,972 S \* 12/2016 Lambri ..... D12/111  
 D784,858 S \* 4/2017 Juhlin ..... D12/111  
 D789,836 S \* 6/2017 Gouin ..... D12/111  
 D797,003 S \* 9/2017 Qiu ..... D12/111  
 D803,728 S \* 11/2017 Kamler ..... D21/432  
 D816,554 S \* 5/2018 Wang ..... D12/111  
 D846,449 S \* 4/2019 Song ..... D12/111  
 D854,969 S \* 7/2019 Gouin ..... D12/111  
 D863,114 S \* 10/2019 Hu ..... D12/111  
 D908,543 S \* 1/2021 Richard ..... D12/111  
 D910,497 S \* 2/2021 Sun ..... D12/111  
 D915,243 S \* 4/2021 Sun ..... D12/111  
 D915,244 S \* 4/2021 Chen ..... D12/111  
 D918,777 S \* 5/2021 Uimonen ..... D12/111  
 D925,406 S \* 7/2021 Lin ..... D12/111

D931,146 S \* 9/2021 Huang ..... D12/111  
 D933,537 S \* 10/2021 Zhang ..... D12/111  
 D935,950 S \* 11/2021 Hu ..... D12/111  
 2011/0115193 A1\* 5/2011 Giroux ..... B62J 11/19  
 280/281.1

OTHER PUBLICATIONS

Momentum Mag. "Schwinn Fordham Step-Thru Review." Momentum Mag., Nov. 20, 2018 [online], [retrieved on Feb. 25, 2022]. Retrieved from the Internet <URL: <https://momentummag.com/schwinn-fordham-step-thru-review/>>.\*  
 Rich Fowler. "Review: 2018 Ezee Sprint Alfine 8 Commuter." Watts In Wheels., May 24, 2018 [online], [retrieved on Feb. 25, 2022]. Retrieved from the Internet <URL: <https://wattsinwheels.com/2018/review-2018-ezee-sprint-alfine-8-commuter/>>.\*  
 Helen J. "New kid (bird?) on the block, the Emu electric bike." Pedelecs., Dec. 4, 2015 [online], [retrieved on Feb. 25, 2022]. Retrieved from the Internet <URL: <https://www.pedelecs.co.uk/electric-bike-reviews/emu-stepthru-review/>>.\*

\* cited by examiner

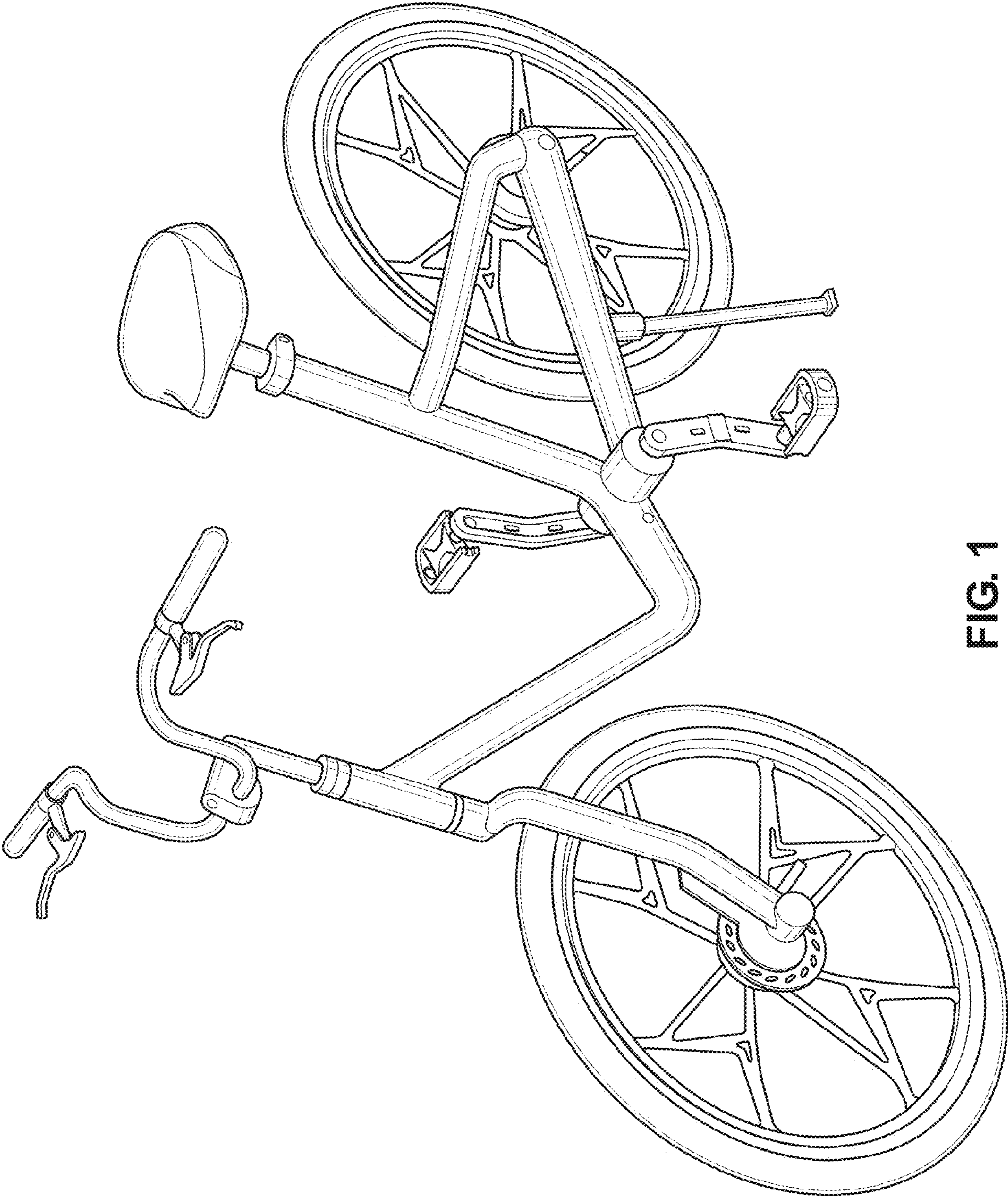


FIG. 1

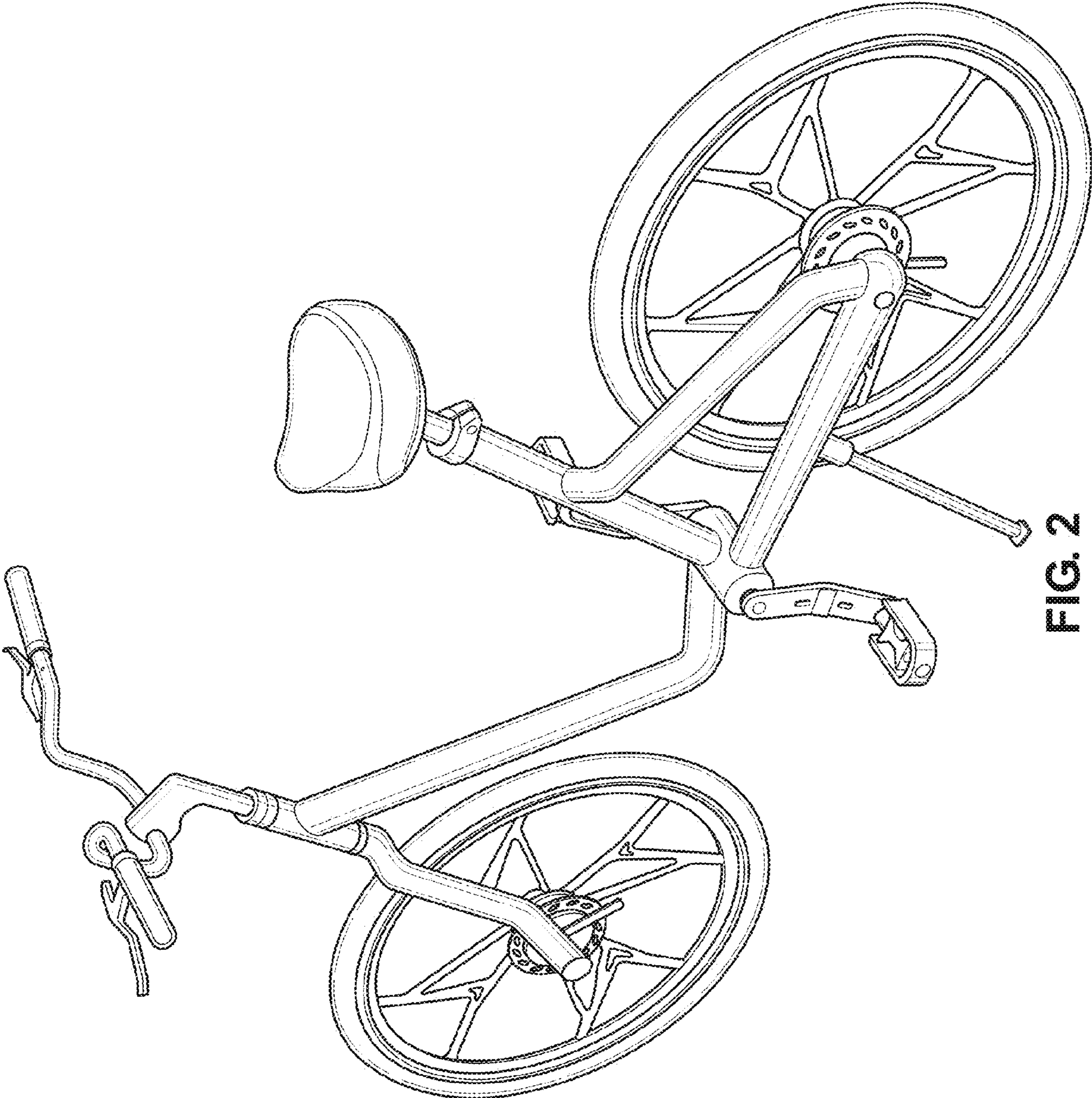


FIG. 2

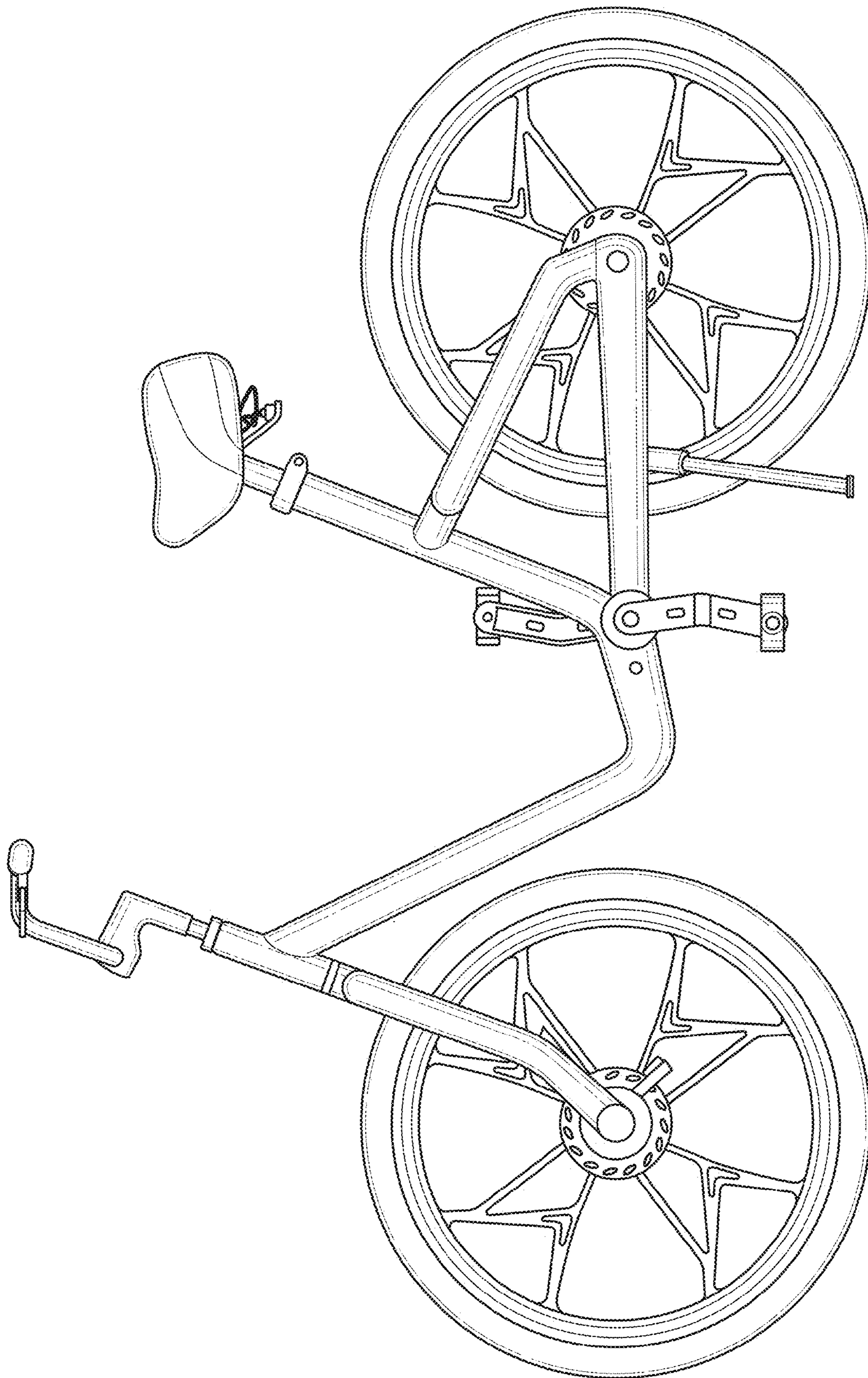


FIG. 3

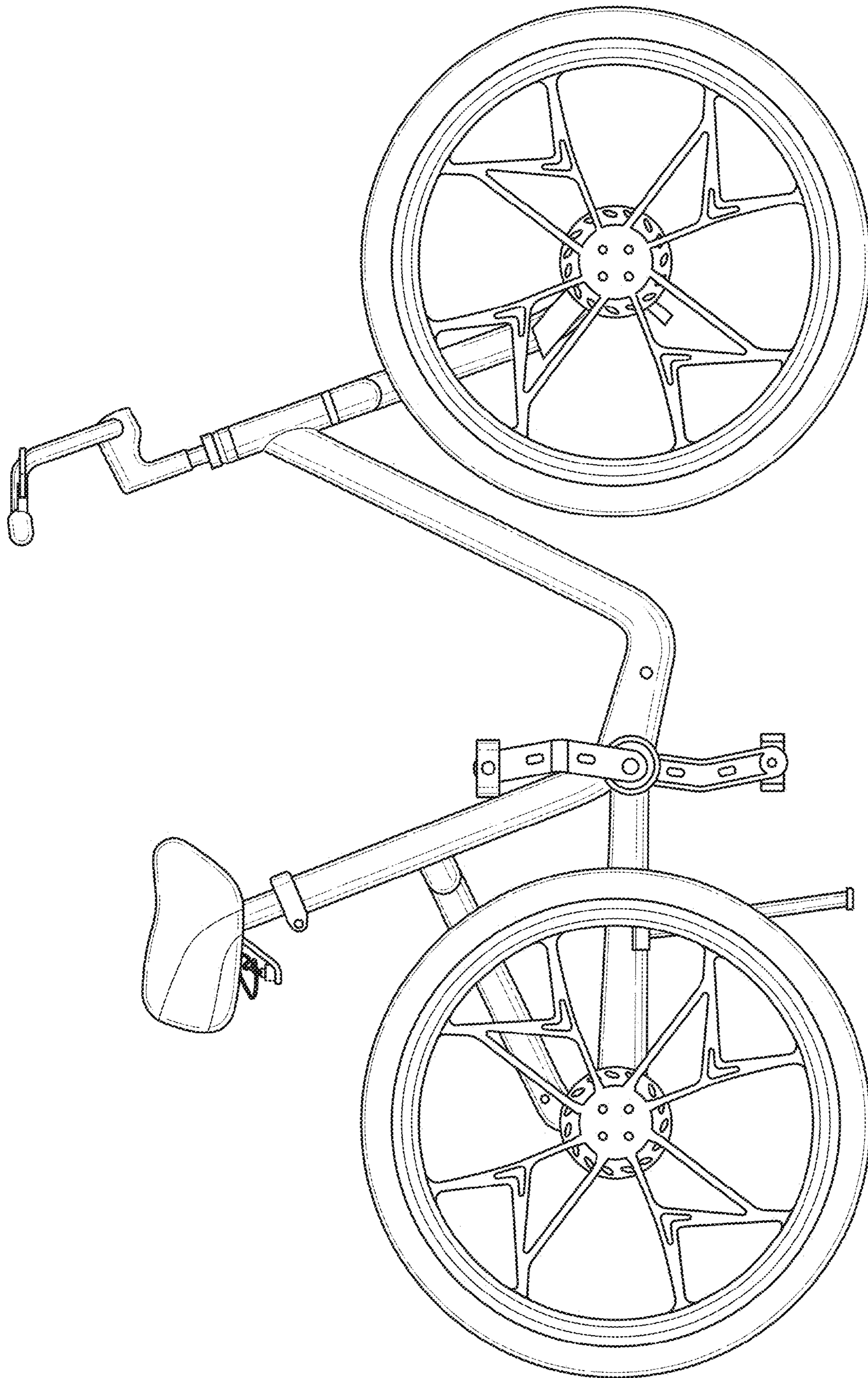


FIG. 4

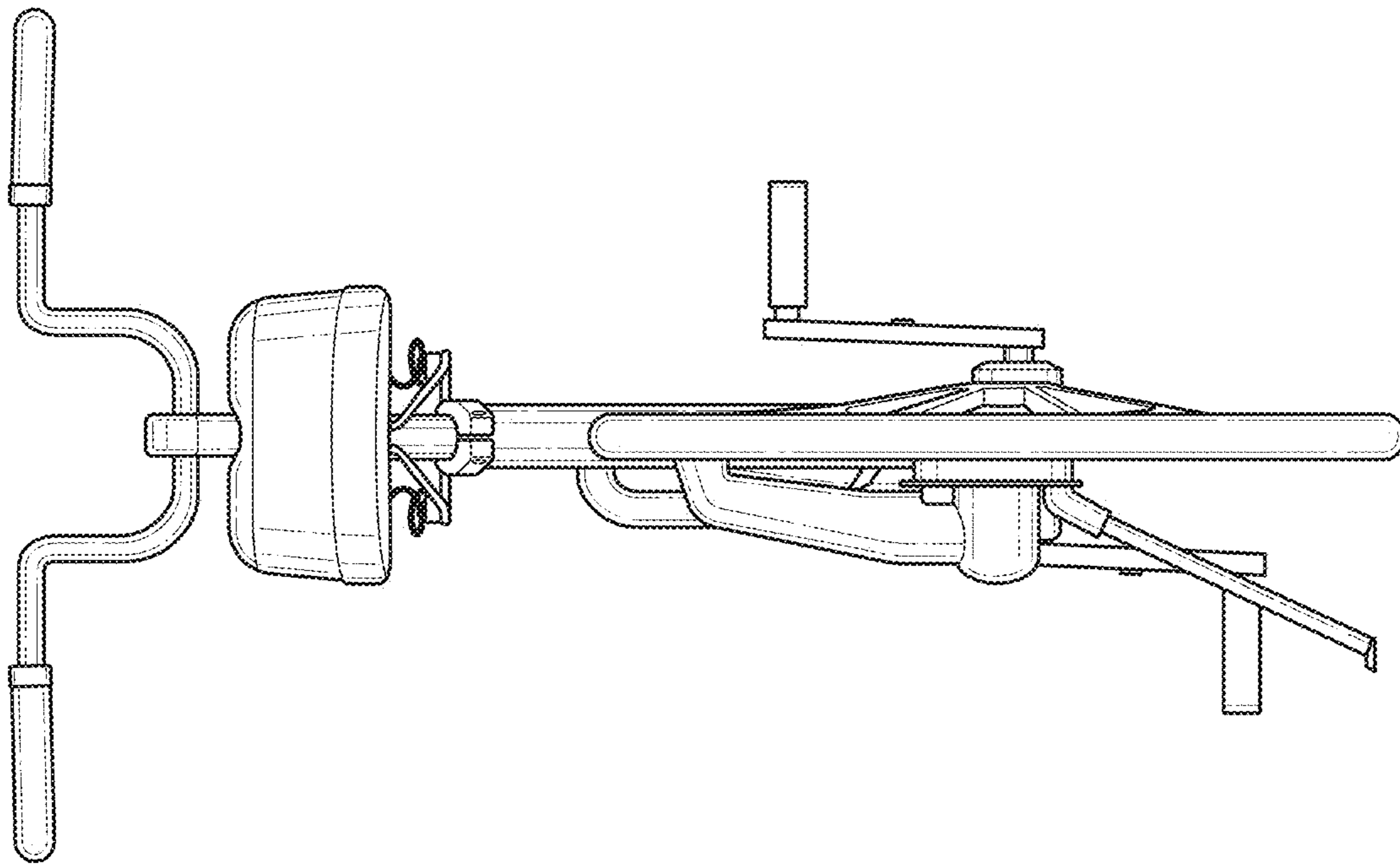


FIG. 6

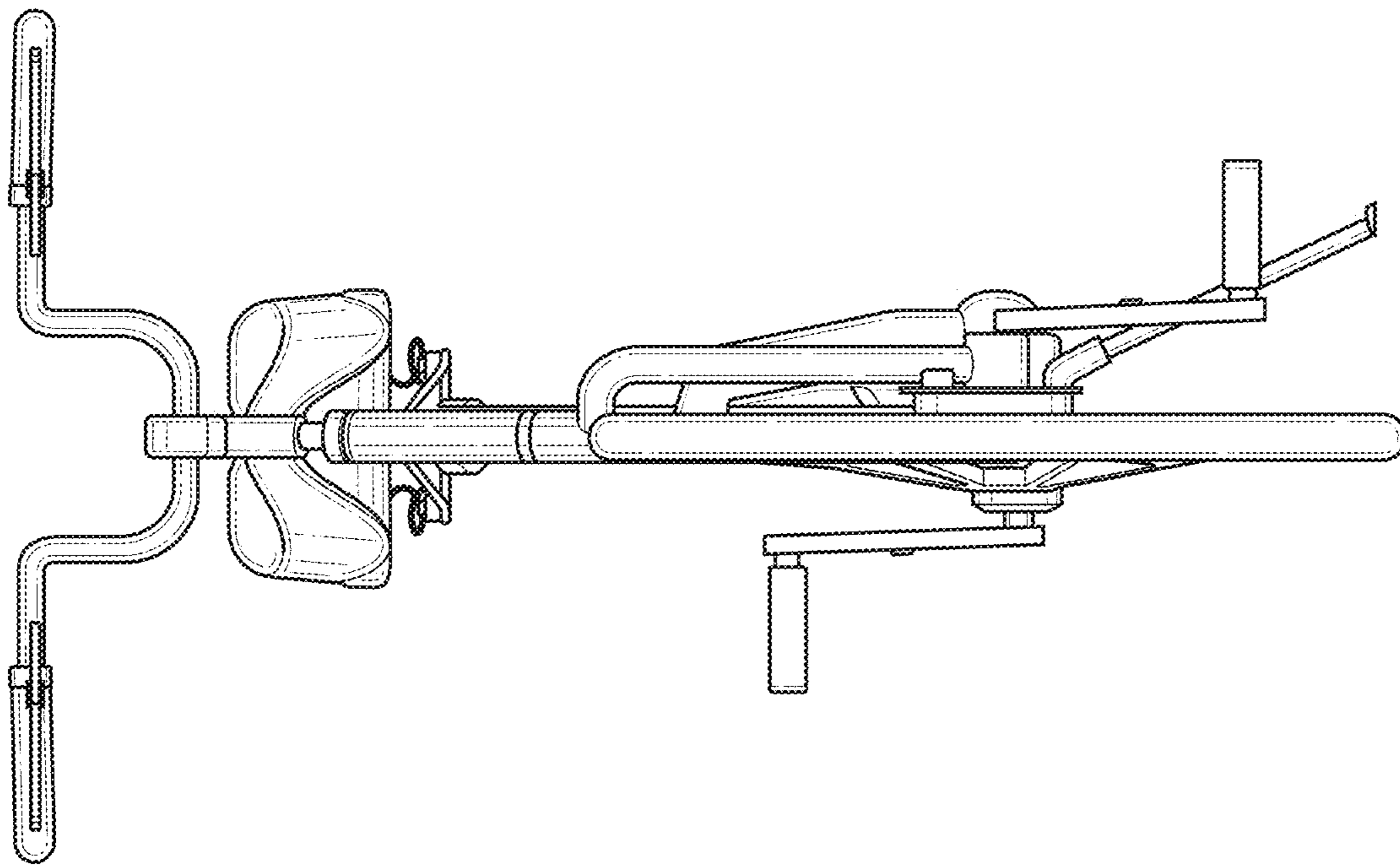


FIG. 5

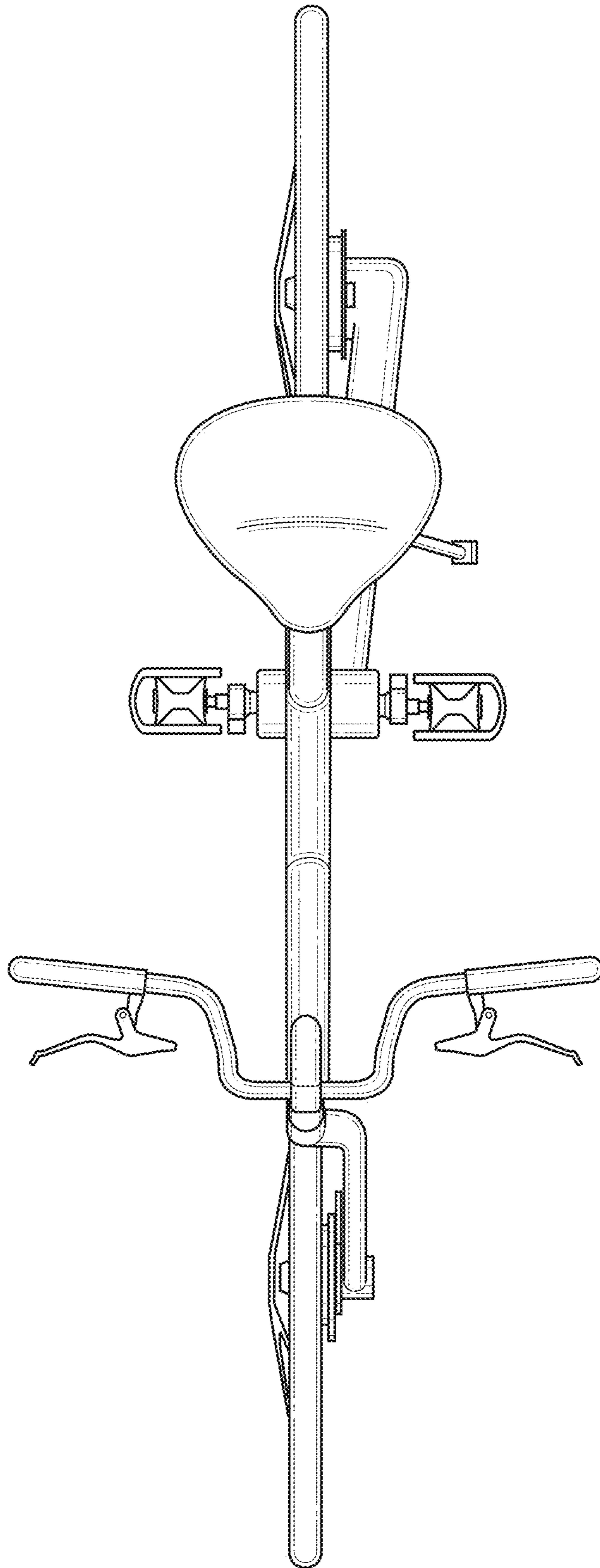


FIG. 7



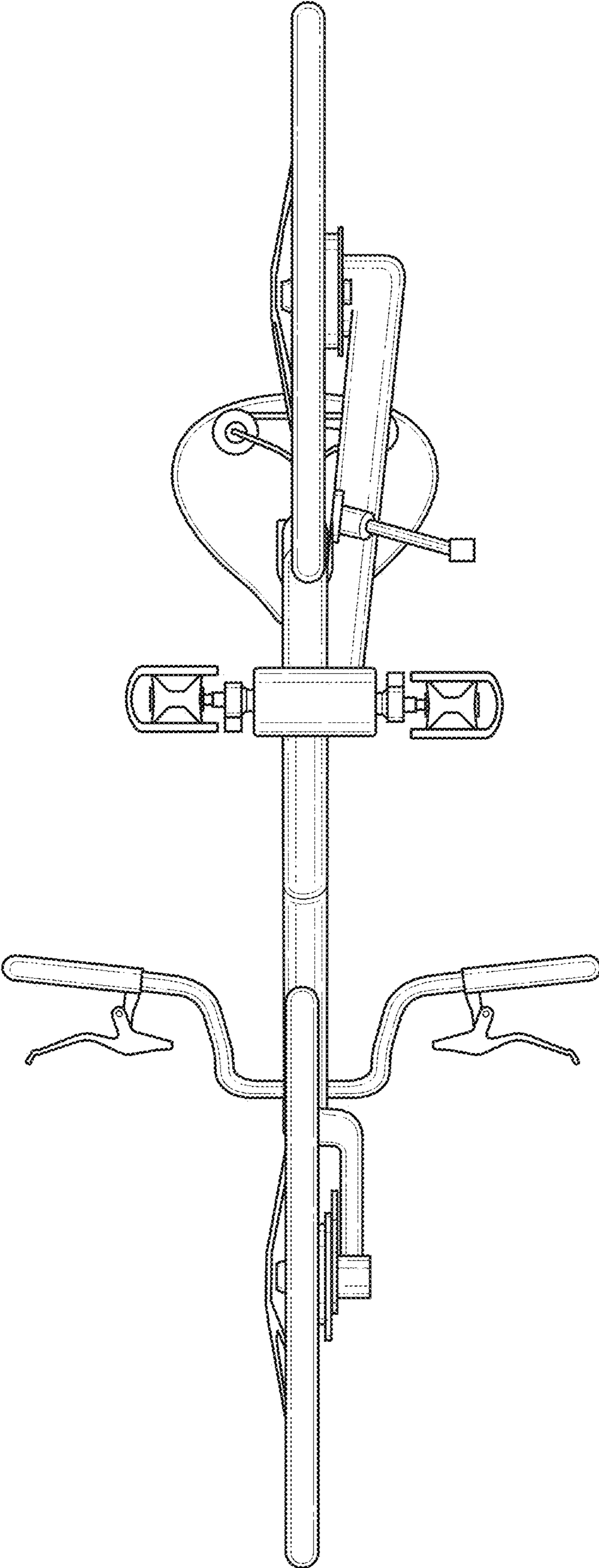


FIG. 8