



US00D951143S

(12) **United States Design Patent**
Hu et al.

(10) **Patent No.:** **US D951,143 S**
(45) **Date of Patent:** **** May 10, 2022**

(54) **MOTORCYCLE**

(71) Applicant: **Beijing Niu Information Technology Co., Ltd.**, Beijing (CN)

(72) Inventors: **Yilin Hu**, Beijing (CN); **Chuankai Liu**, Beijing (CN); **Kai Yang**, Beijing (CN)

(73) Assignee: **BEIJING NIU INFORMATION TECHNOLOGY CO., LTD.**, Beijing (CN)

(**) Term: **15 Years**

(21) Appl. No.: **29/741,115**

(22) Filed: **Jul. 9, 2020**

(30) **Foreign Application Priority Data**

Jan. 9, 2020 (CN) 202030013732.0

(51) **LOC (13) Cl.** **12-11**

(52) **U.S. Cl.**
USPC **D12/110**

(58) **Field of Classification Search**
USPC D12/110, 114, 117, 126
CPC ... B62J 17/00; B62J 17/02; B62J 17/04; B62J 17/06; B62J 23/00; B62K 11/00; B62K 11/02; B62K 11/04
See application file for complete search history.

(56) **References Cited**

U.S. PATENT DOCUMENTS

D582,316 S *	12/2008	Stenegard	D12/110
D651,138 S *	12/2011	Lai	D12/110
D859,220 S *	9/2019	Kishi	D12/110
D876,285 S *	2/2020	Watanabe	D12/110
D903,009 S *	11/2020	Tearne	D21/538
D911,223 S *	2/2021	Kinoshita	D12/110
D913,164 S *	3/2021	Kuriki	D12/110
D914,546 S *	3/2021	Martin	D12/110

D914,547 S *	3/2021	Mayer	D12/110
D916,628 S *	4/2021	Hu	D12/111
D921,535 S *	6/2021	Selosse	D12/110
D921,536 S *	6/2021	Chuang	12/110
D929,266 S *	8/2021	Pishevar	D12/110

OTHER PUBLICATIONS

“RQi Electric Motorcycle” NIU., posted date Apr. 9, 2021 [online], [retrieved on Sep. 23, 2021]. Retrieved from the Internet <URL: <https://electrek.co/2021/04/09/exclusive-niu-announces-launch-details-for-rqi-electric-motorcycle-heres-the-first-look/>> (Year: 2021).*
“Zero S” Zero., posted date Mar. 28, 2009 [online], [retrieved on Sep. 23, 2021]. Retrieved from the Internet <URL: <https://www.zeromotorcycles.com/model/zero-s>> (Year: 2009).*

(Continued)

Primary Examiner — Darlington Ly

Assistant Examiner — Nasim Abdulaziz Ali

(74) *Attorney, Agent, or Firm* — Dragon Sun Law Firm, PC; Jinggao Li, Esq.

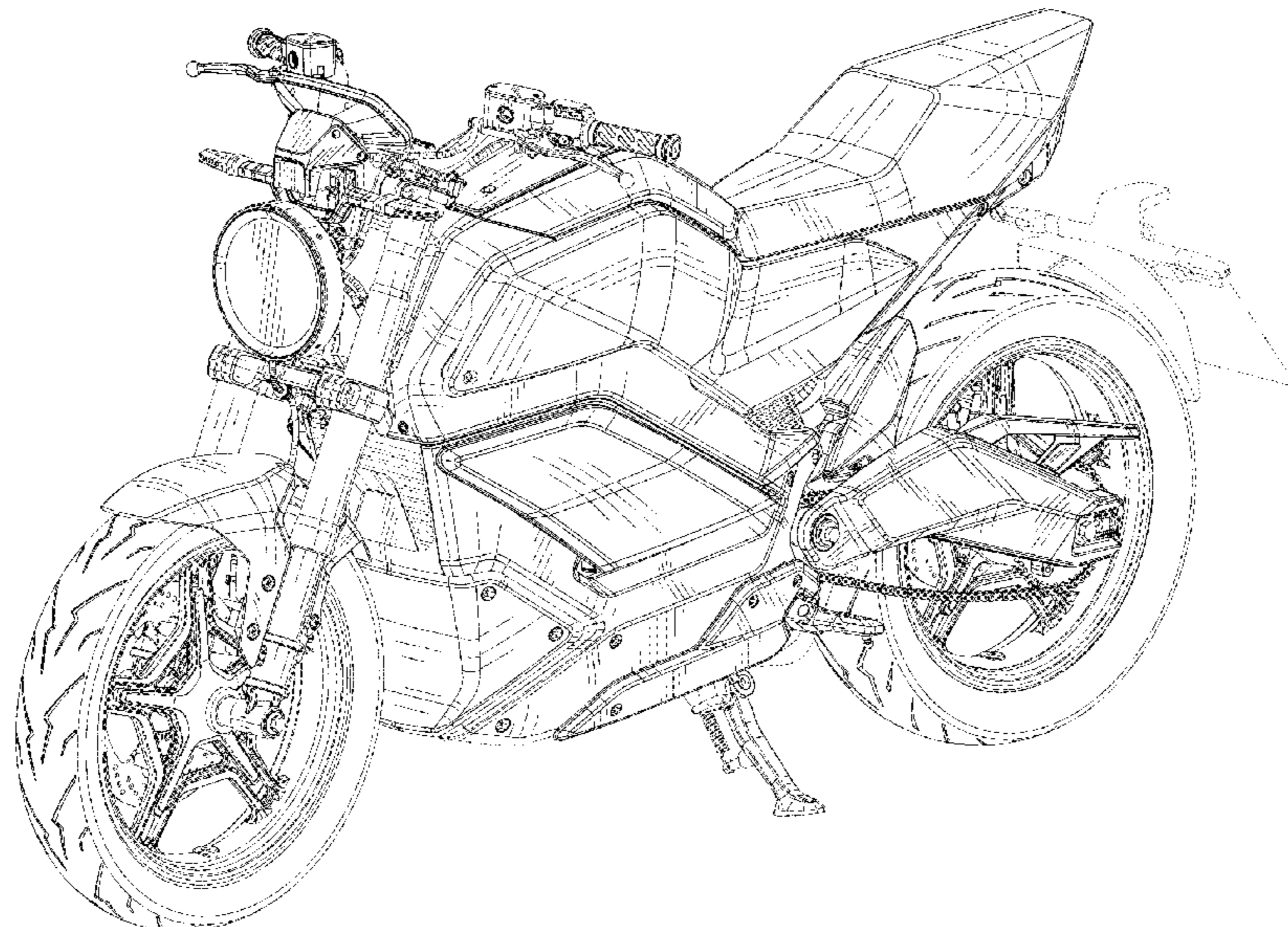
(57) **CLAIM**

The ornamental design for a motorcycle, as shown and described.

DESCRIPTION

FIG. 1 is a left side elevation view of a motorcycle embodying our new design;
FIG. 2 is a right side elevation view thereof;
FIG. 3 is a front elevation view thereof;
FIG. 4 is a rear elevation view thereof;
FIG. 5 is a top plan view thereof;
FIG. 6 is a bottom plan view thereof;
FIG. 7 is a front perspective view thereof; and,
FIG. 8 is a rear perspective view thereof.
The broken lines shown in the figures depict portions of the motorcycle that form no part of the claimed design.

1 Claim, 8 Drawing Sheets



(56)

References Cited

OTHER PUBLICATIONS

“Tarform-x-uncrate-luna-electric-motorcycle” Uncrate., posted date Jul. 20, 2021 [online], [retrieved on Sep. 23, 2021]. Retrieved from the Internet <URL: <https://uncrate.com/tarform-x-uncrate-luna-electric-motorcycle/>> (Year: 2021).*

* cited by examiner

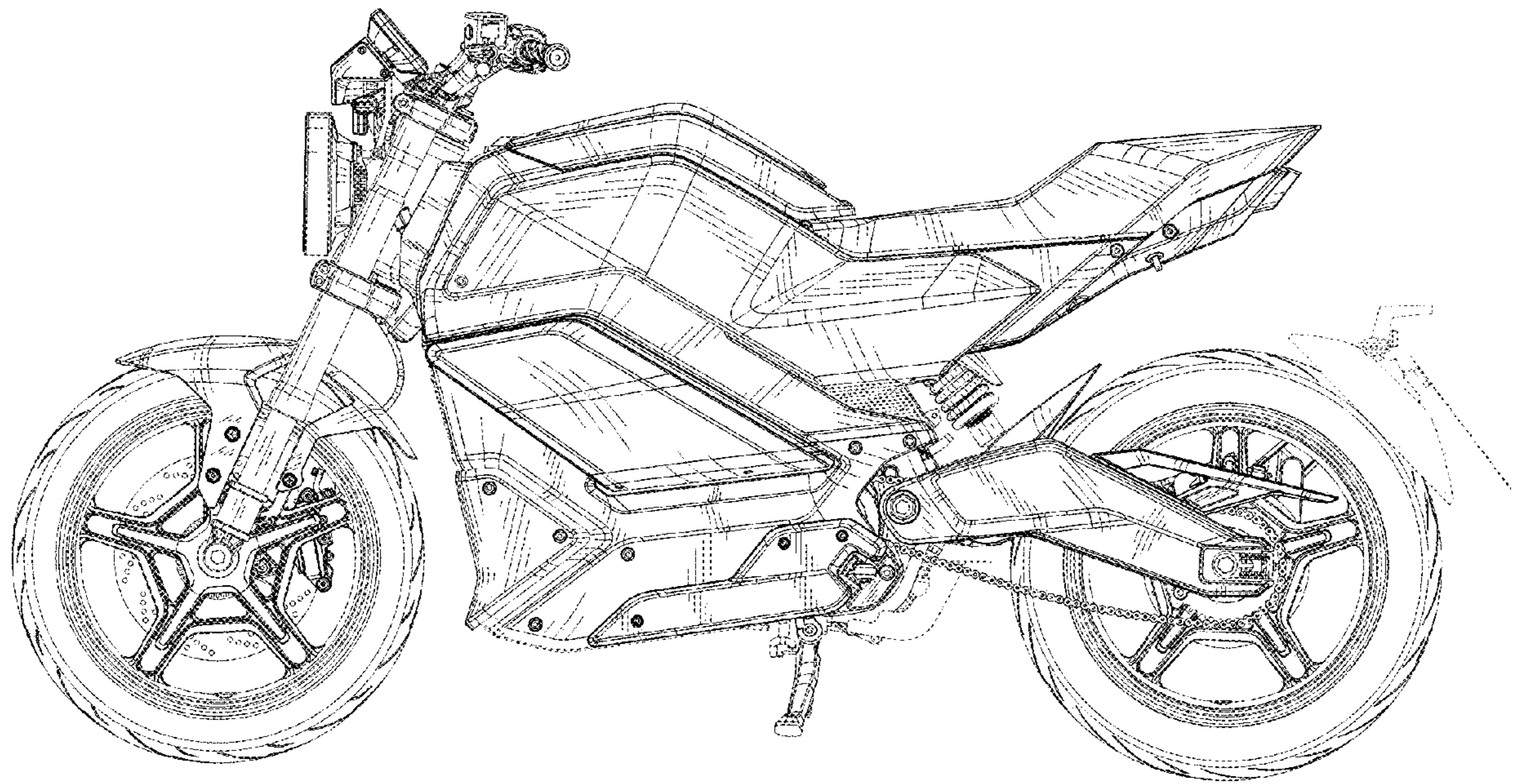


FIG. 1

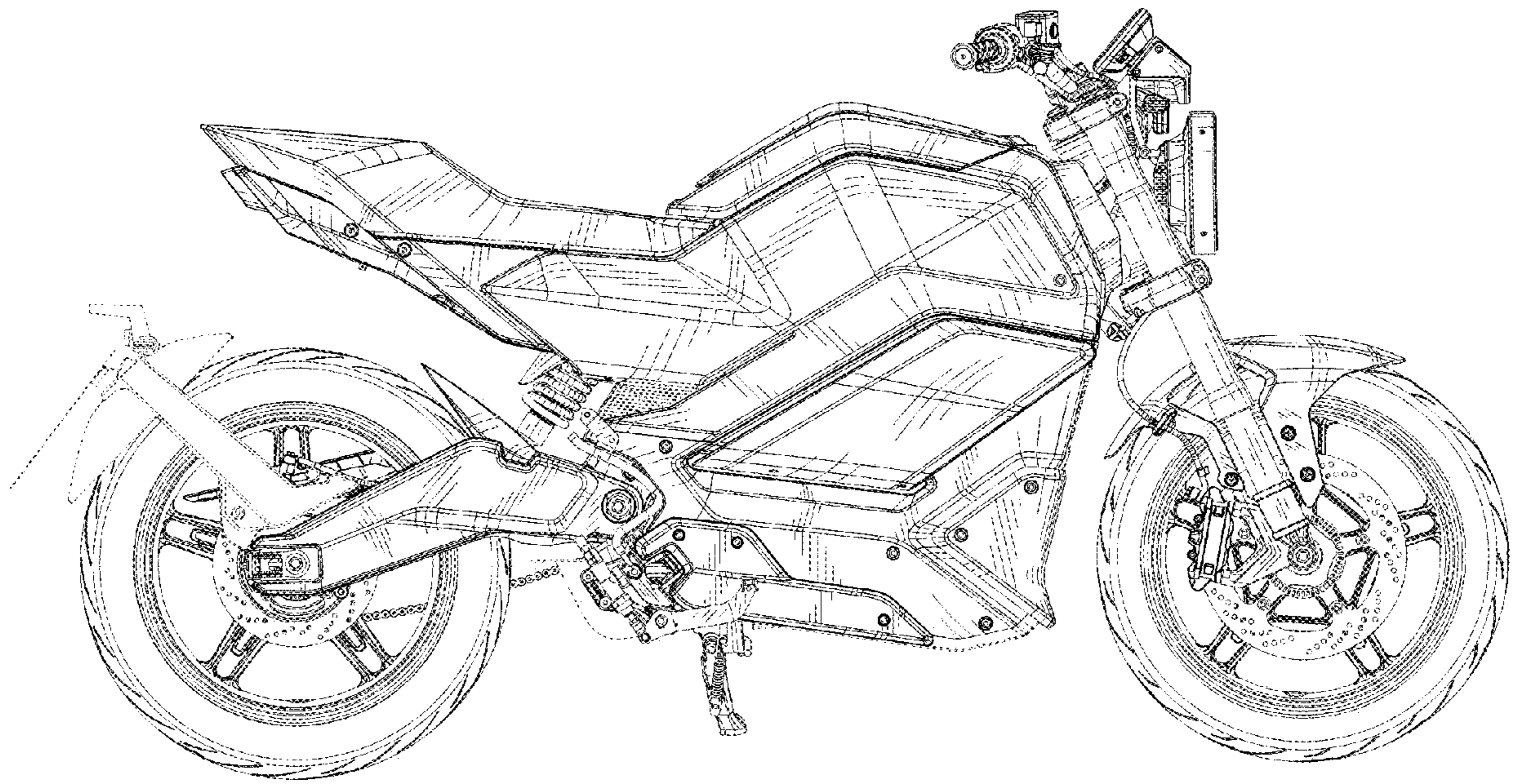


FIG. 2

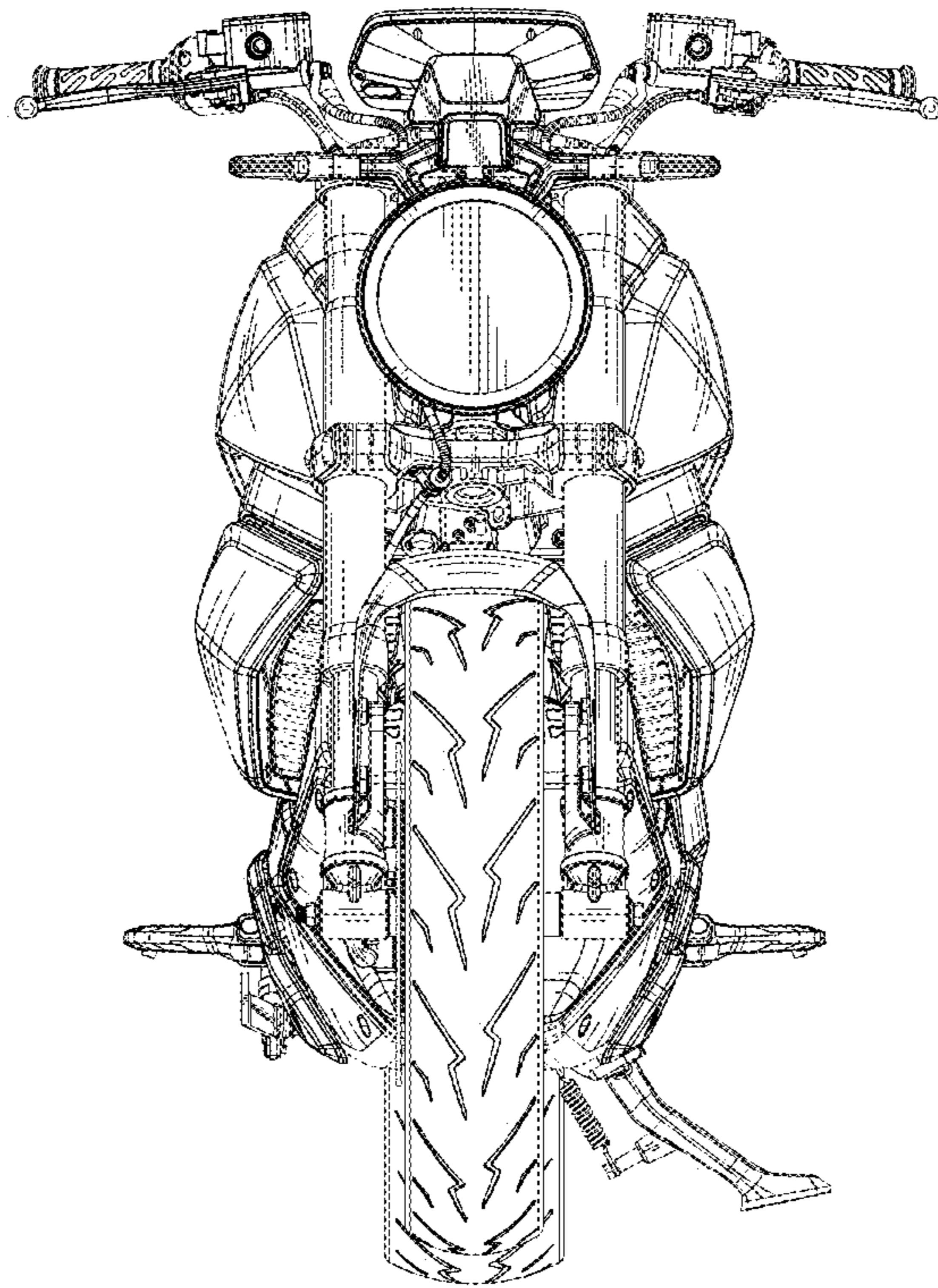


FIG.3

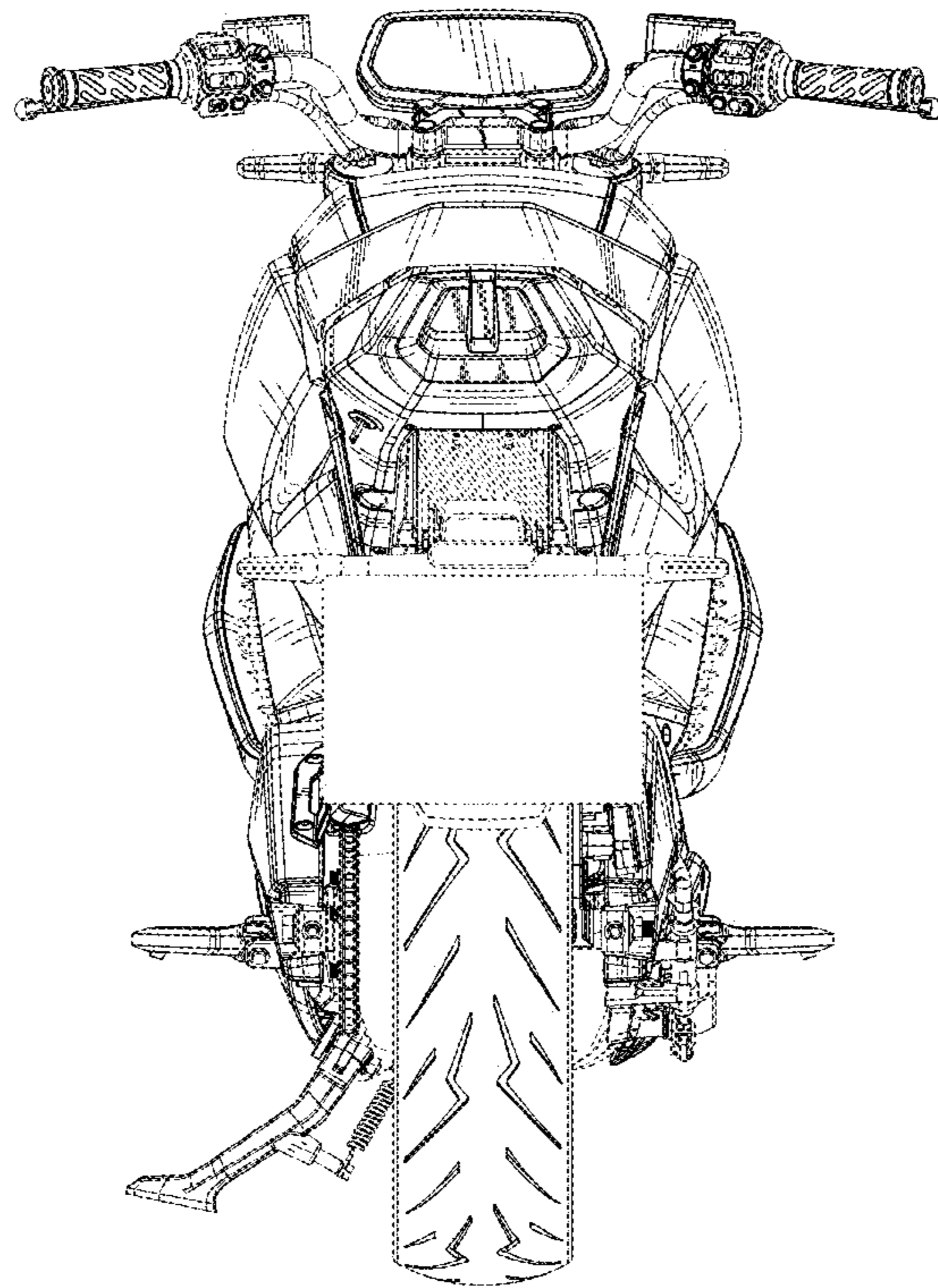


FIG.4

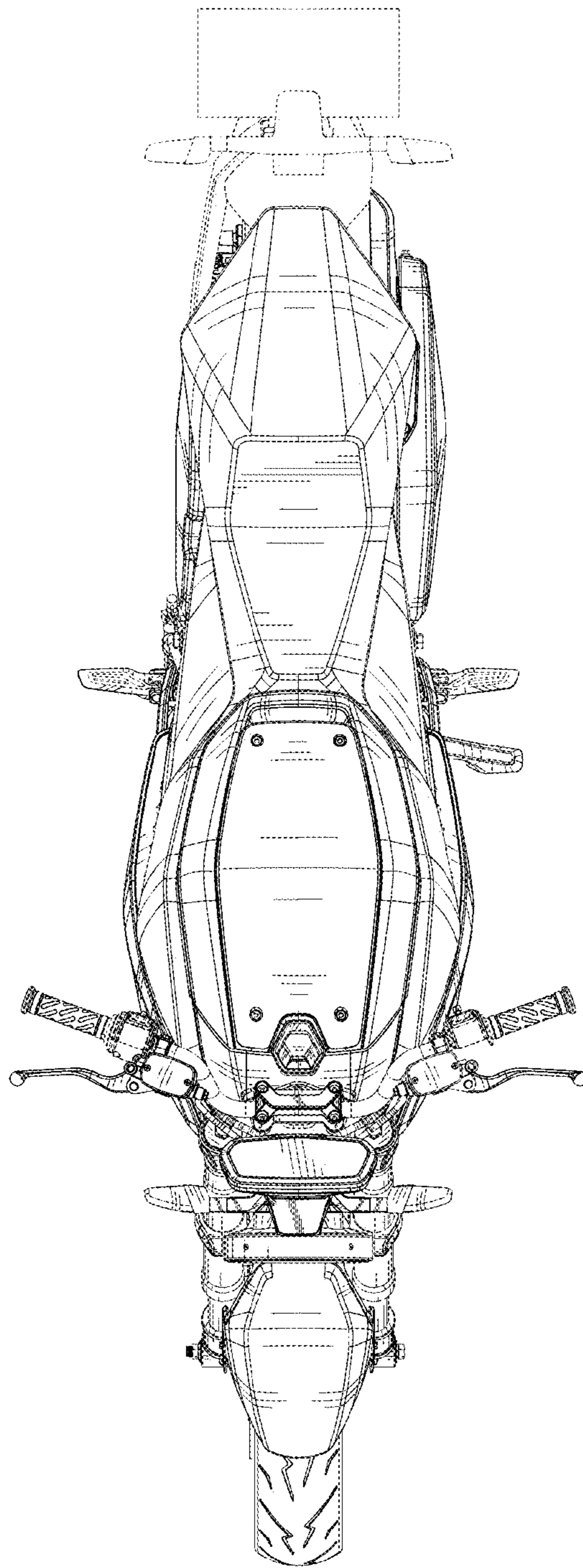


FIG.5

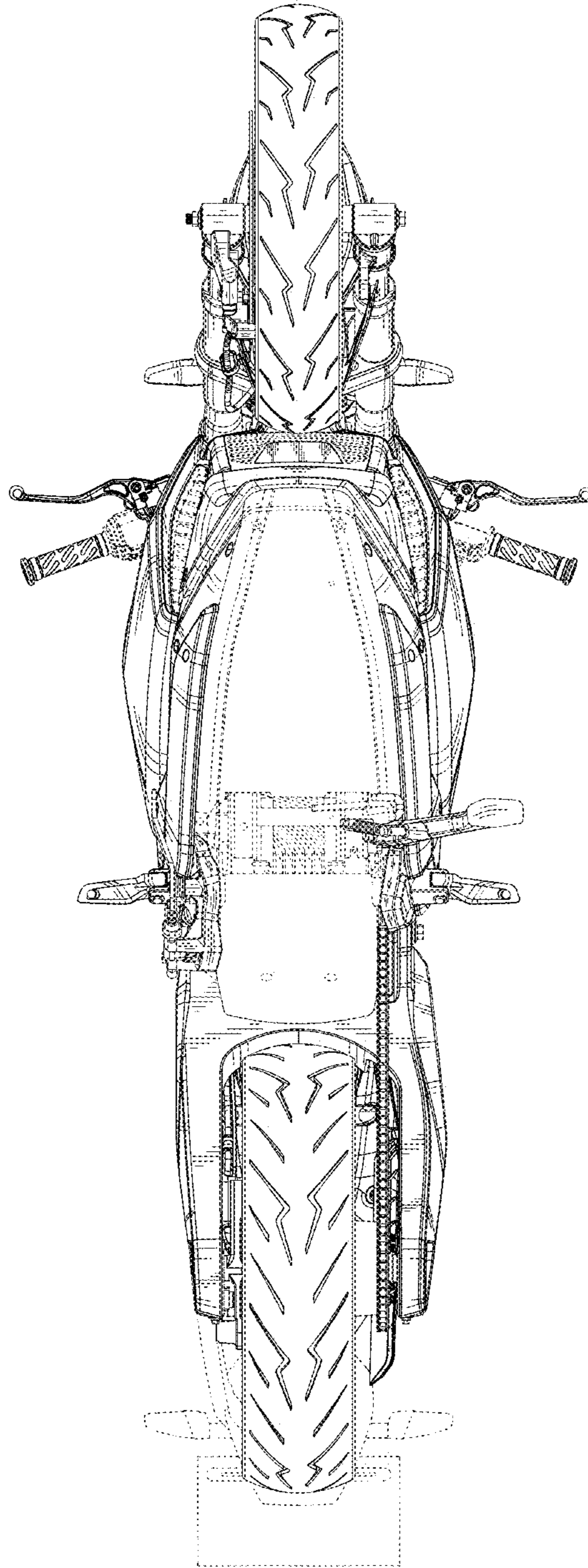


FIG.6

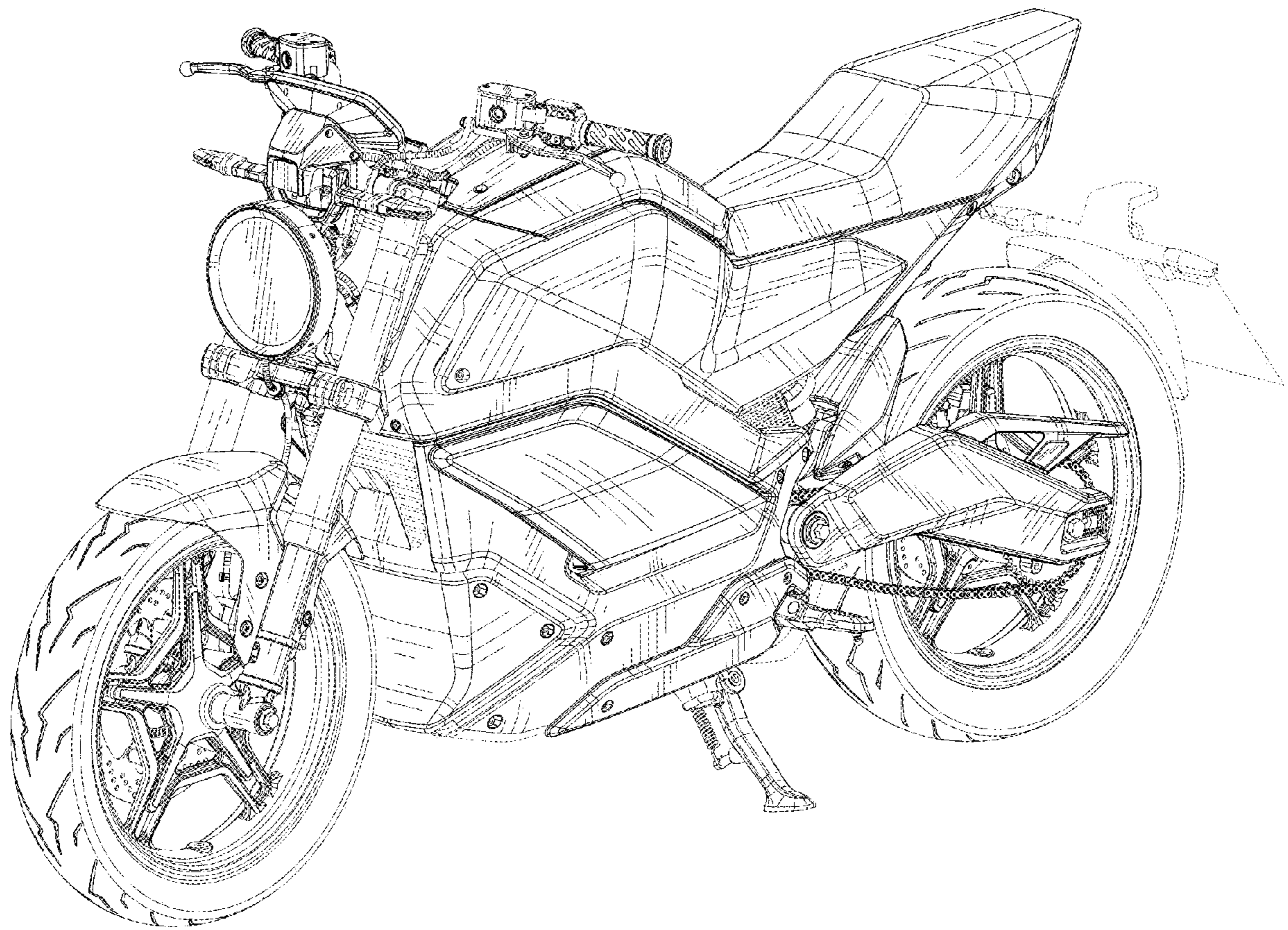


FIG. 7

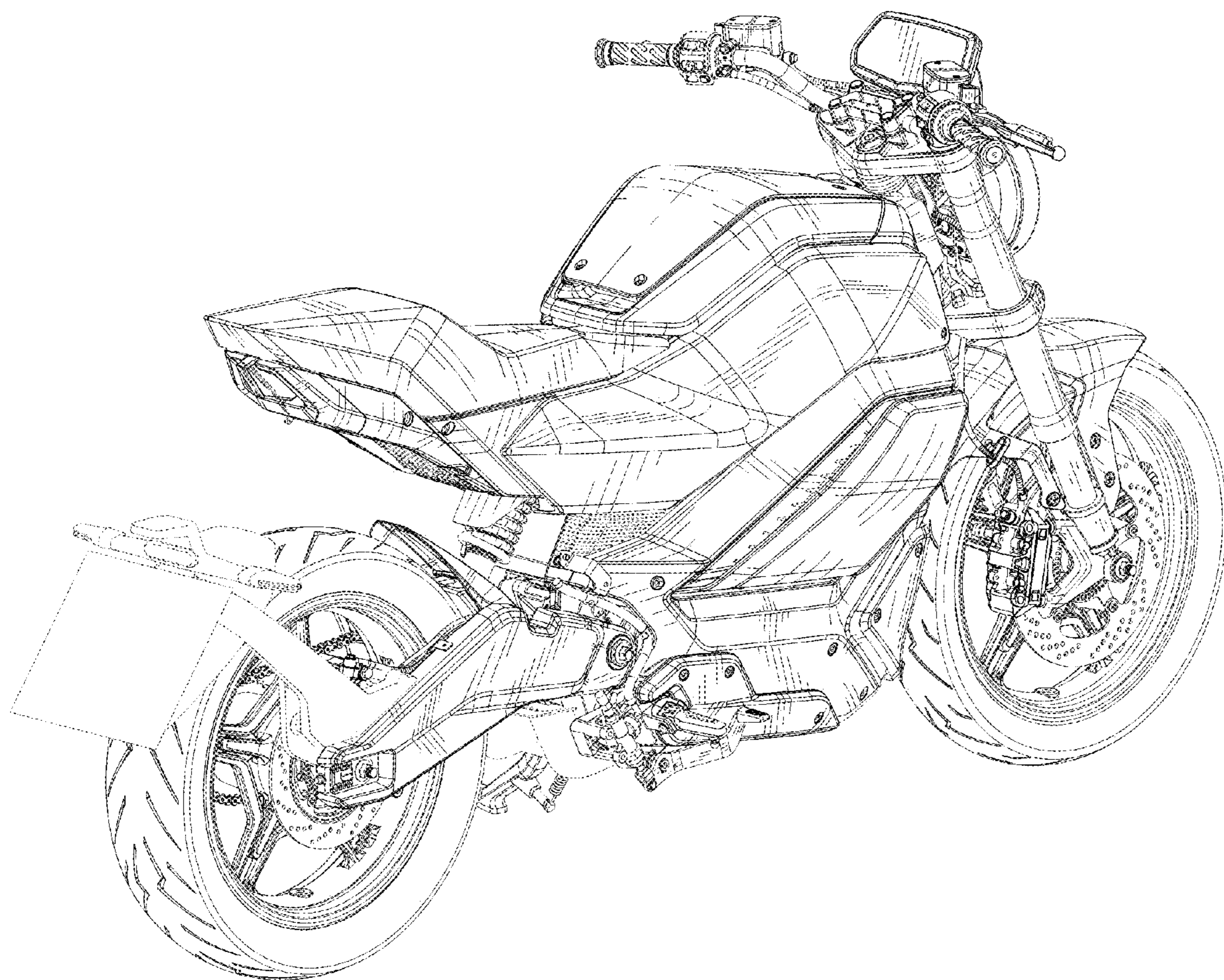


FIG.8