



US00D951141S

(12) **United States Design Patent**  
**Verbrugge**

(10) **Patent No.:** **US D951,141 S**

(45) **Date of Patent:** **\*\* May 10, 2022**

(54) **MOTOR VEHICLE, TOY REPLICA AND/OR  
OTHER REPLICA**

(71) Applicant: **Dr. Ing. h.c. F. Porsche  
Aktiengesellschaft, Stuttgart (DE)**

(72) Inventor: **Cyril Verbrugge, Althengstett (DE)**

(73) Assignee: **Dr. Ing. h.c. F. Porsche  
Aktiengesellschaft**

(\*\*) Term: **15 Years**

(21) Appl. No.: **29/726,226**

(22) Filed: **Mar. 2, 2020**

(30) **Foreign Application Priority Data**

Sep. 19, 2019 (DE) ..... 402019101028.9

(51) **LOC (13) Cl.** ..... **12-08**

(52) **U.S. Cl.**  
USPC ..... **D12/92**

(58) **Field of Classification Search**  
USPC .... D12/86, 90-92, 164; D21/424, 433, 434,  
D21/533; 296/181.1-181.5, 183.1  
CPC ..... B62D 25/00; B62D 25/06; B62D 33/00;  
B62D 35/00  
See application file for complete search history.

(56) **References Cited**

**U.S. PATENT DOCUMENTS**

D673,484 S 1/2013 Robinson  
D731,927 S 6/2015 Robinson

D753,023 S \* 4/2016 Villevoye ..... D12/92  
D769,154 S 10/2016 Varga  
D805,963 S 12/2017 Varga  
D823,727 S \* 7/2018 Hauser ..... D12/92  
D824,288 S \* 7/2018 Hauser ..... D12/92  
D826,784 S \* 8/2018 Hauser ..... D12/92  
D835,730 S \* 12/2018 Chung ..... D21/548  
D861,539 S 10/2019 Schmölz  
D897,902 S \* 10/2020 Scholz ..... D12/92  
D897,903 S \* 10/2020 Scholz ..... D12/92  
D897,904 S \* 10/2020 Stopka ..... D12/92  
D913,854 S \* 3/2021 Lenglin ..... D12/92

\* cited by examiner

*Primary Examiner* — Melody N Brown

(74) *Attorney, Agent, or Firm* — RatnerPrestia

(57) **CLAIM**

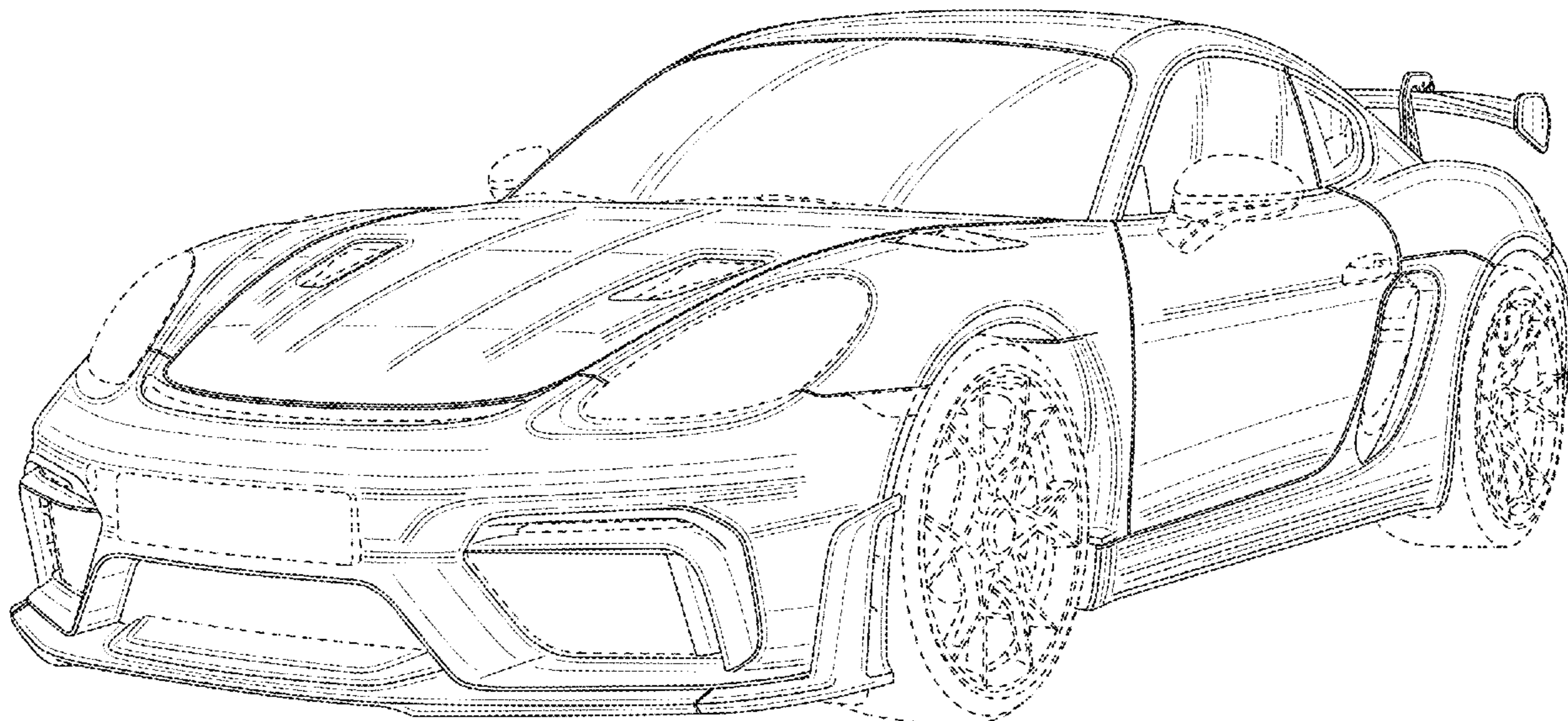
The ornamental design for a motor vehicle, toy replica and/or other replica, as shown and described.

**DESCRIPTION**

FIG. 1 is a front perspective view of a motor vehicle, toy replica and/or other replica showing my new design;  
FIG. 2 is a rear perspective view thereof;  
FIG. 3 is a front elevation view thereof;  
FIG. 4 is a rear elevation view thereof;  
FIG. 5 is an elevation view thereof taken from the left side, the right side being a substantial mirror image thereof; and,  
FIG. 6 is a top plan view thereof.

The broken lines shown throughout the drawing views are for environmental and illustrative purposes that form no part of the claimed design.

**1 Claim, 6 Drawing Sheets**



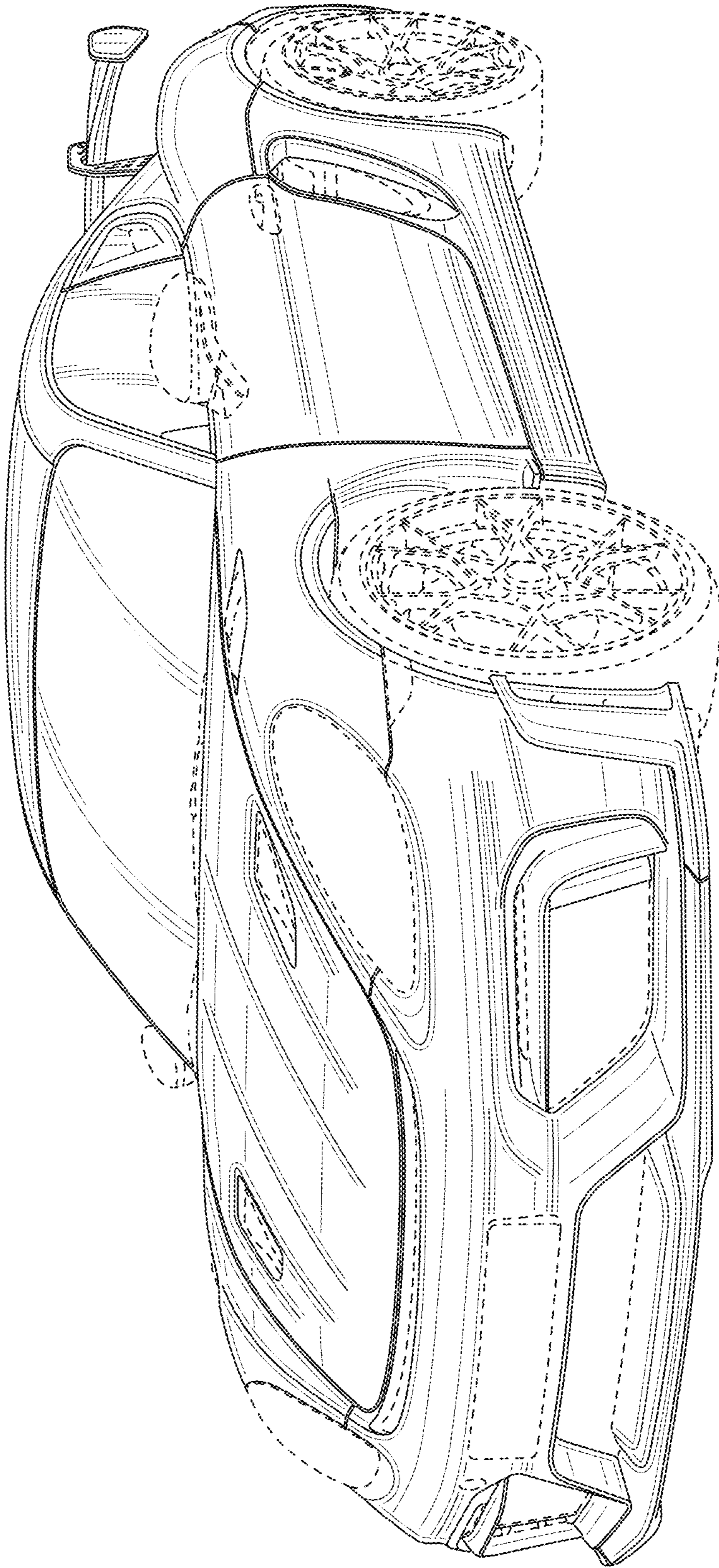


FIG. 1



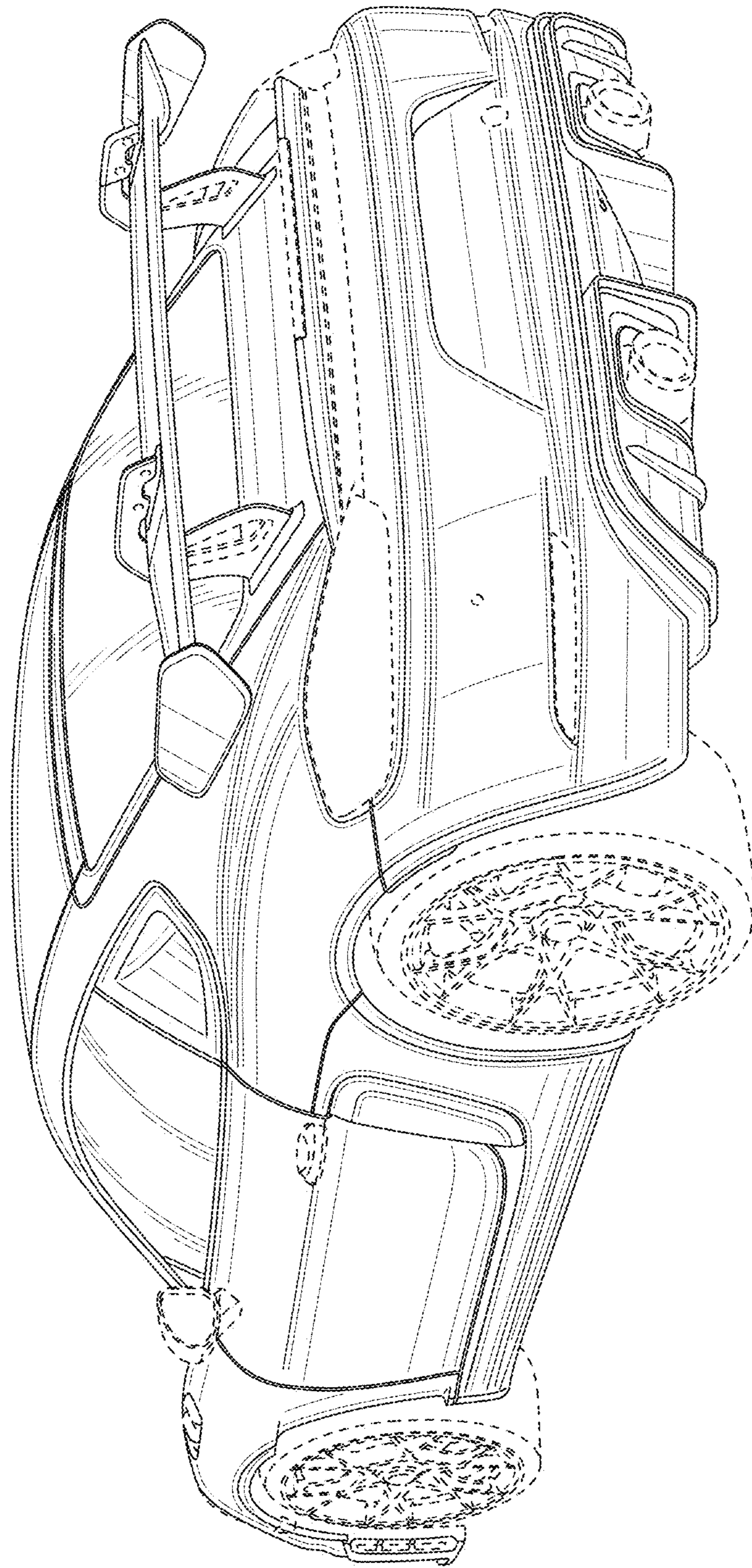


FIG. 2

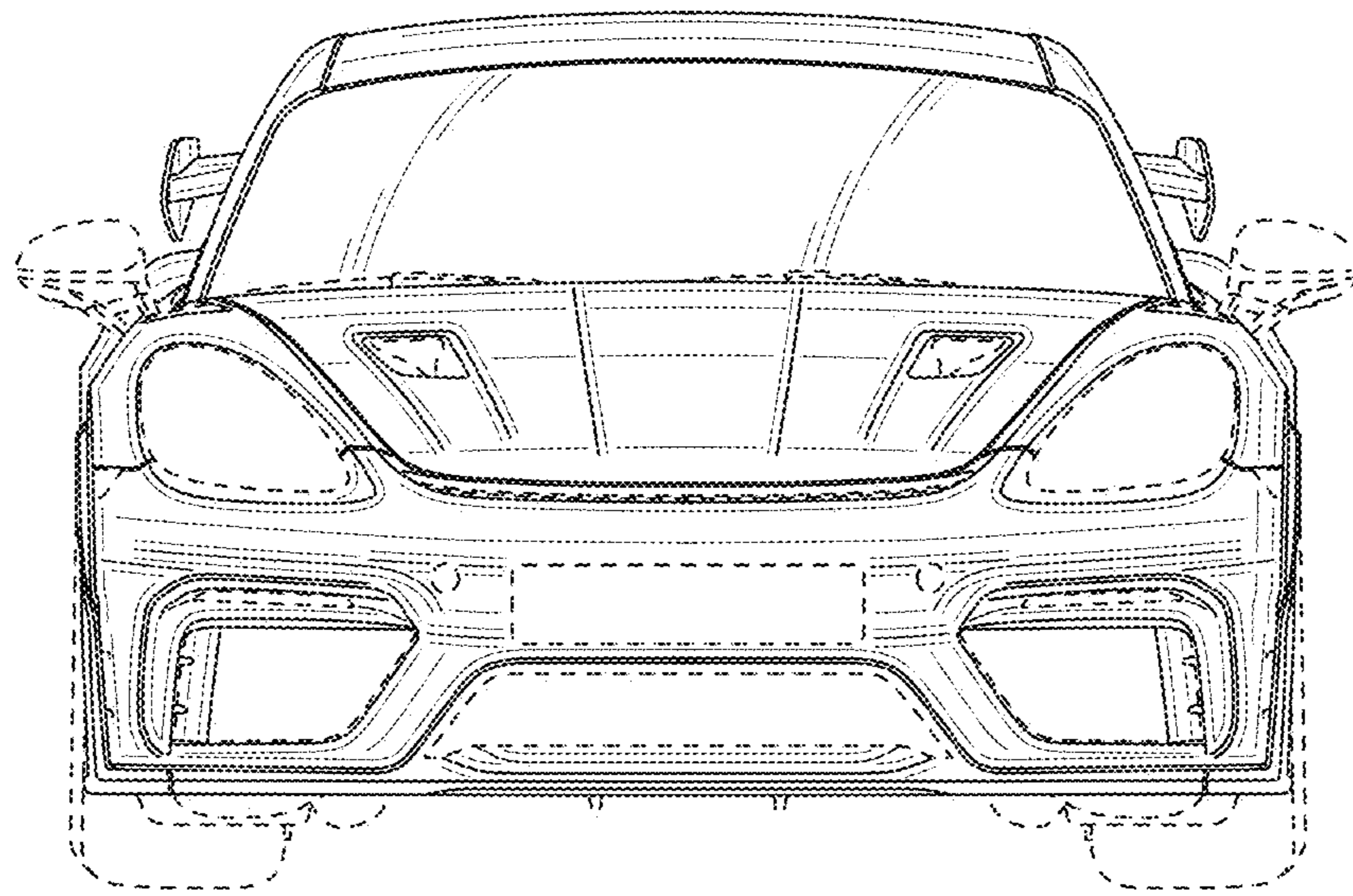


FIG. 3

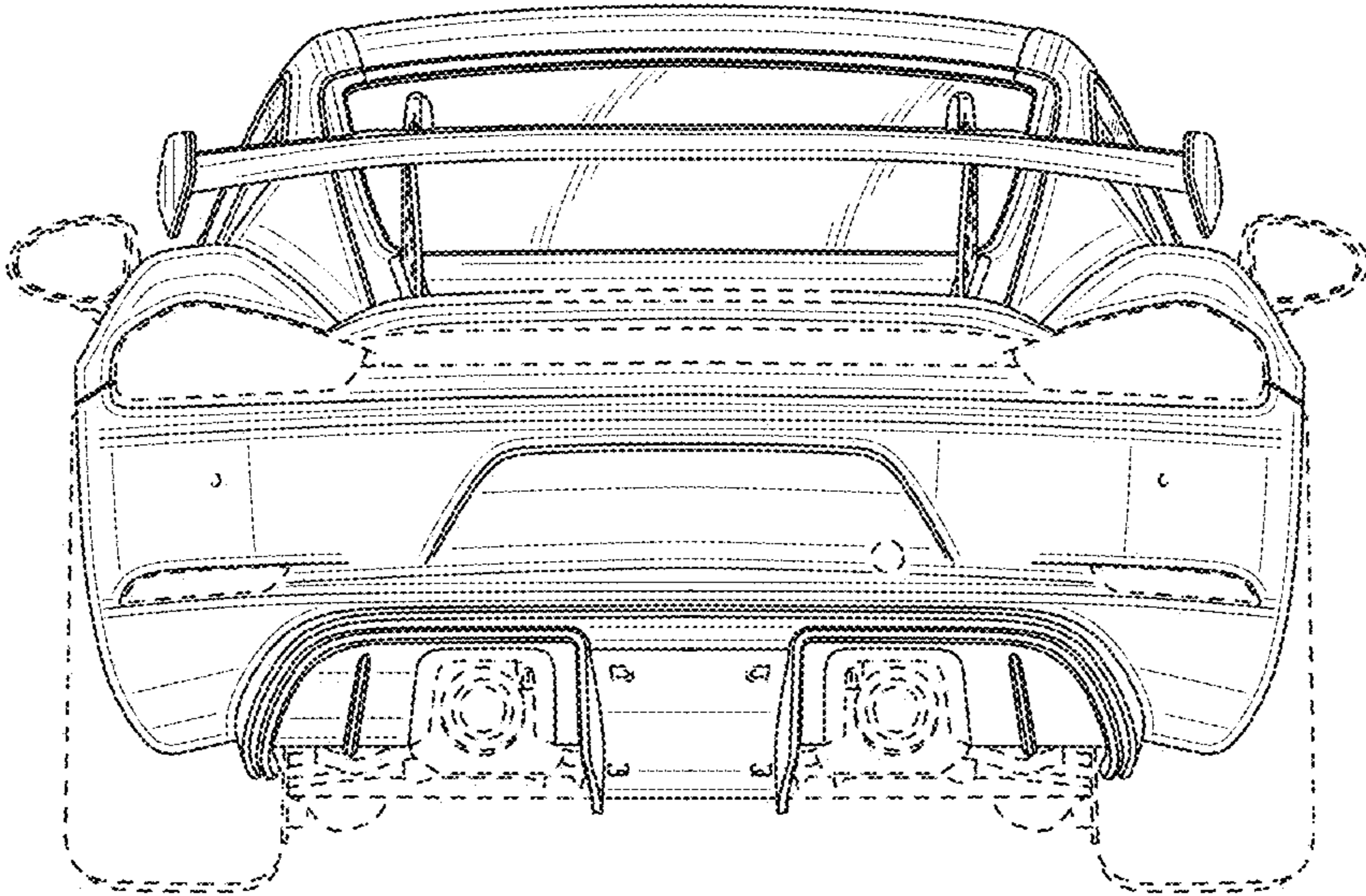


FIG. 4



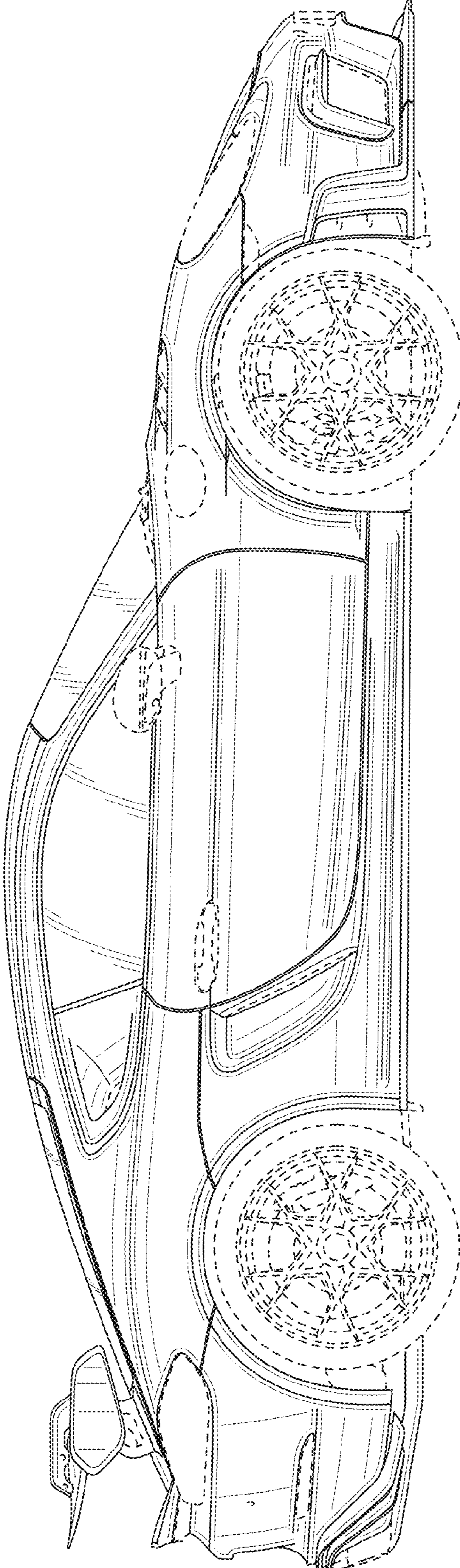


FIG. 5

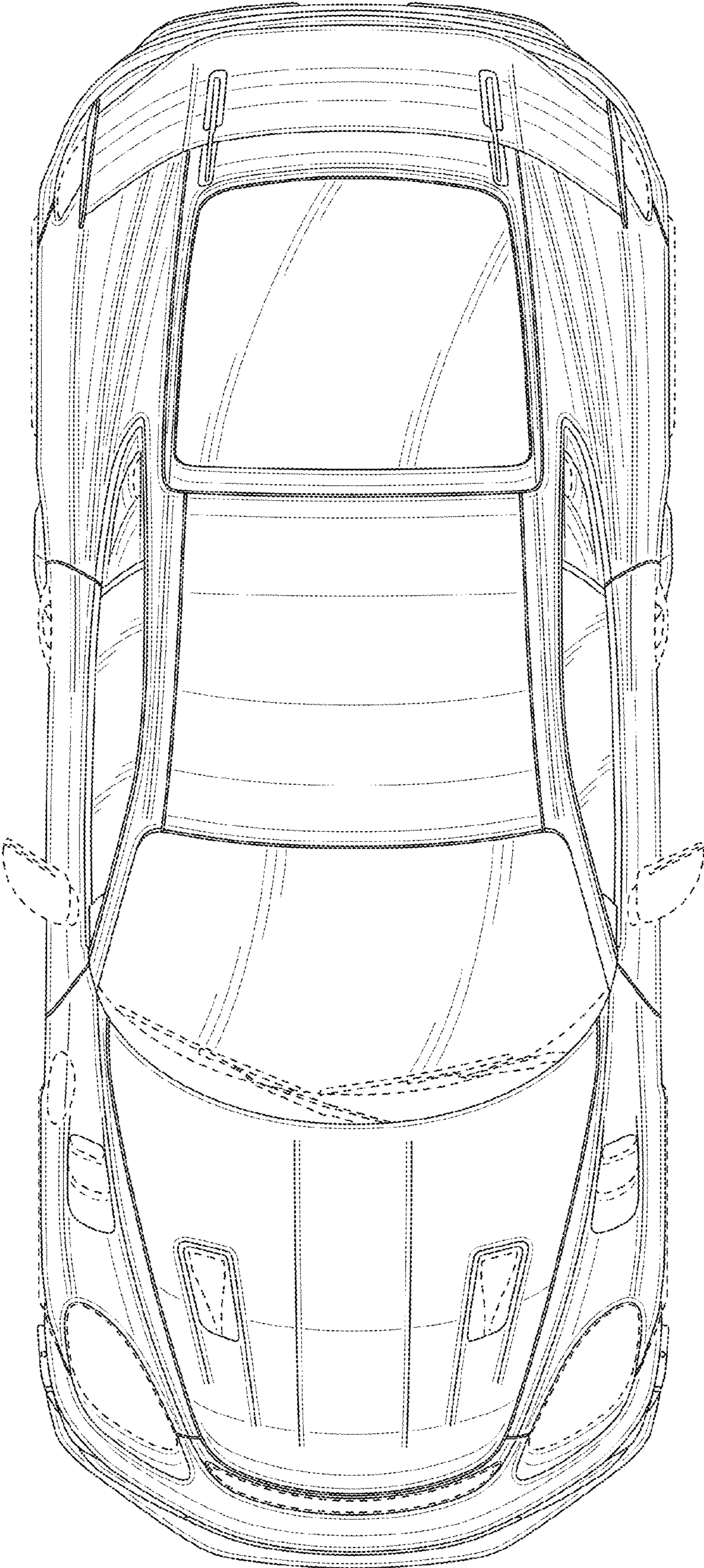


FIG. 6