



US00D951139S

(12) **United States Design Patent**
Manzoni

(10) **Patent No.:** **US D951,139 S**

(45) **Date of Patent:** **** May 10, 2022**

(54) **CAR, TOY CAR REPLICA AND/OR OTHER REPLICA**

(71) Applicant: **Ferrari S.p.A.**, Modena (IT)

(72) Inventor: **Flavio Manzoni**, Maranello (IT)

(73) Assignee: **FERRARI S.p.A.**, Modena (IT)

(**) Term: **15 Years**

(21) Appl. No.: **29/733,707**

(22) Filed: **May 6, 2020**

(30) **Foreign Application Priority Data**

Nov. 8, 2019 (EM) 007207303

Nov. 8, 2019 (EM) 007207766

(51) **LOC (13) Cl.** **12-08**

(52) **U.S. Cl.**

USPC **D12/88**

(58) **Field of Classification Search**

USPC D12/86, 90-92, 164; D21/433, 434,
D21/531-535; 296/181.1-181.5, 183.1

CPC B62D 25/00; B62D 25/06; B62D 33/00;
B62D 35/00

See application file for complete search history.

(56) **References Cited**

U.S. PATENT DOCUMENTS

D692,345 S * 10/2013 Murray D12/88

D801,871 S * 11/2017 Manzoni D12/92

D826,089 S * 8/2018 Lesnik D12/92

D826,093 S * 8/2018 Manzoni D12/92

D839,133 S * 1/2019 Hilton D12/88

D899,303 S * 10/2020 Hilton D12/92

D910,491 S * 2/2021 Manzoni D12/92

D918,312 S * 5/2021 Manzoni D12/92

D927,359 S * 8/2021 Manzoni D12/92

D928,663 S * 8/2021 Manzoni D12/92

D928,891 S * 8/2021 Manzoni D12/91

* cited by examiner

Primary Examiner — Melody N Brown

(74) *Attorney, Agent, or Firm* — Cowan, Liebowitz & Latman, P.C.; Anastasia Zhadina

(57) **CLAIM**

The ornamental design for a car, toy car replica and/or other replica, as shown and described.

DESCRIPTION

FIG. 1 is a top, front and side perspective view of a car, toy car replica and/or other replica showing my new design;

FIG. 2 is a top, rear and opposite side perspective view thereof;

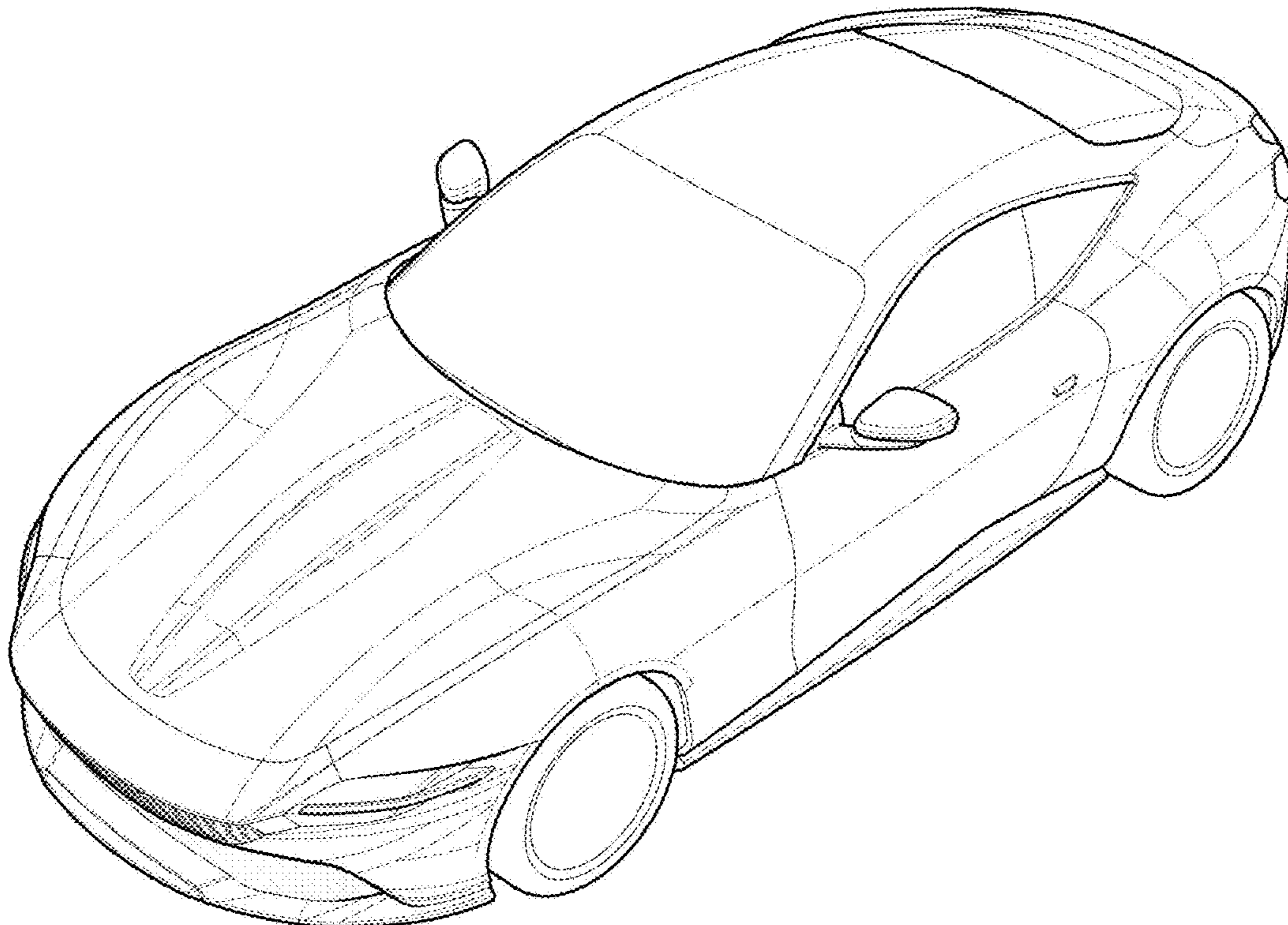
FIG. 3 is front elevational view thereof;

FIG. 4 is a rear elevational view thereof;

FIG. 5 is a side elevational view thereof, the opposite side is a mirror image thereof; and,

FIG. 6 is a top plan view thereof.

1 Claim, 6 Drawing Sheets



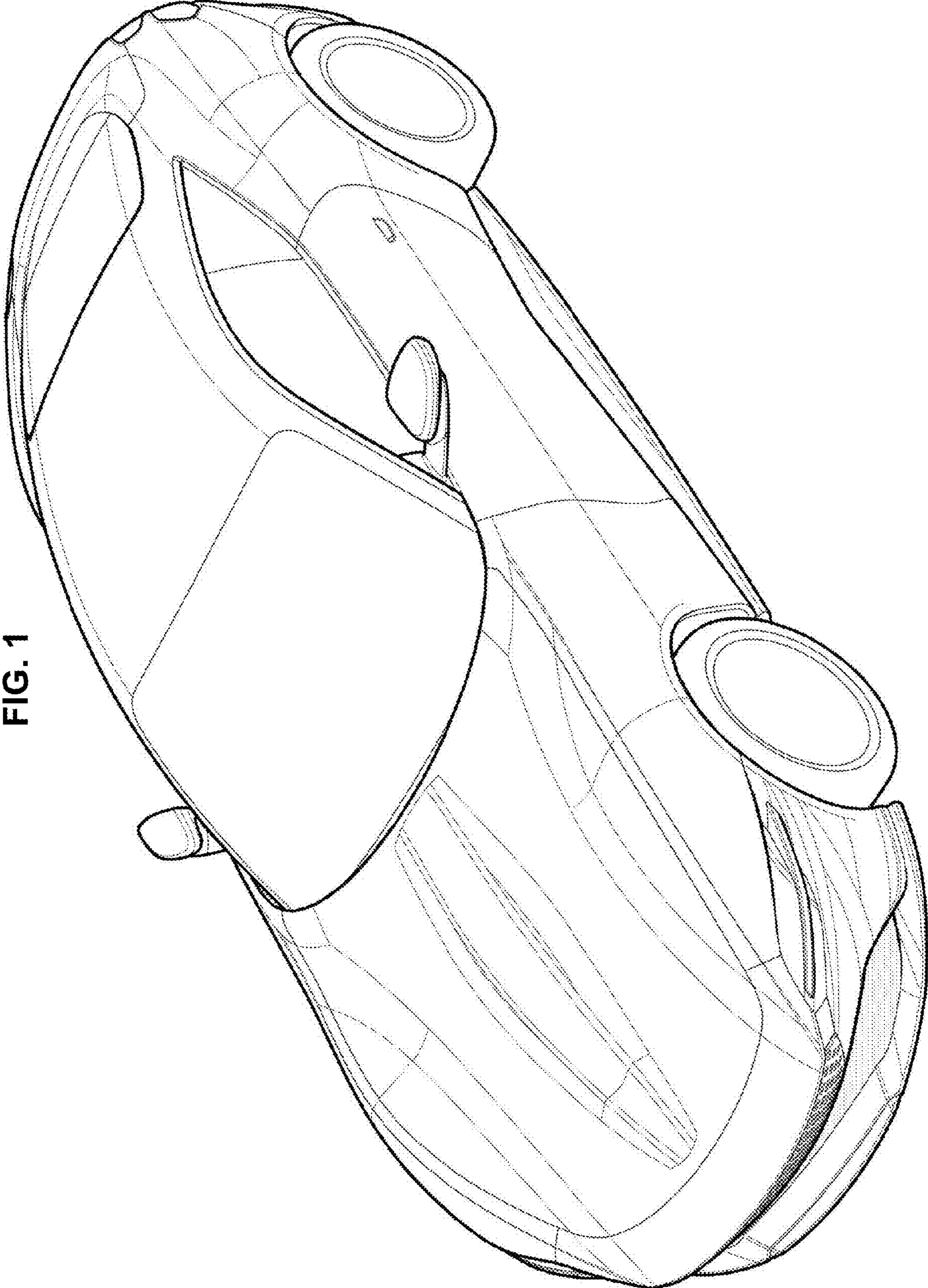


FIG. 1

FIG. 2

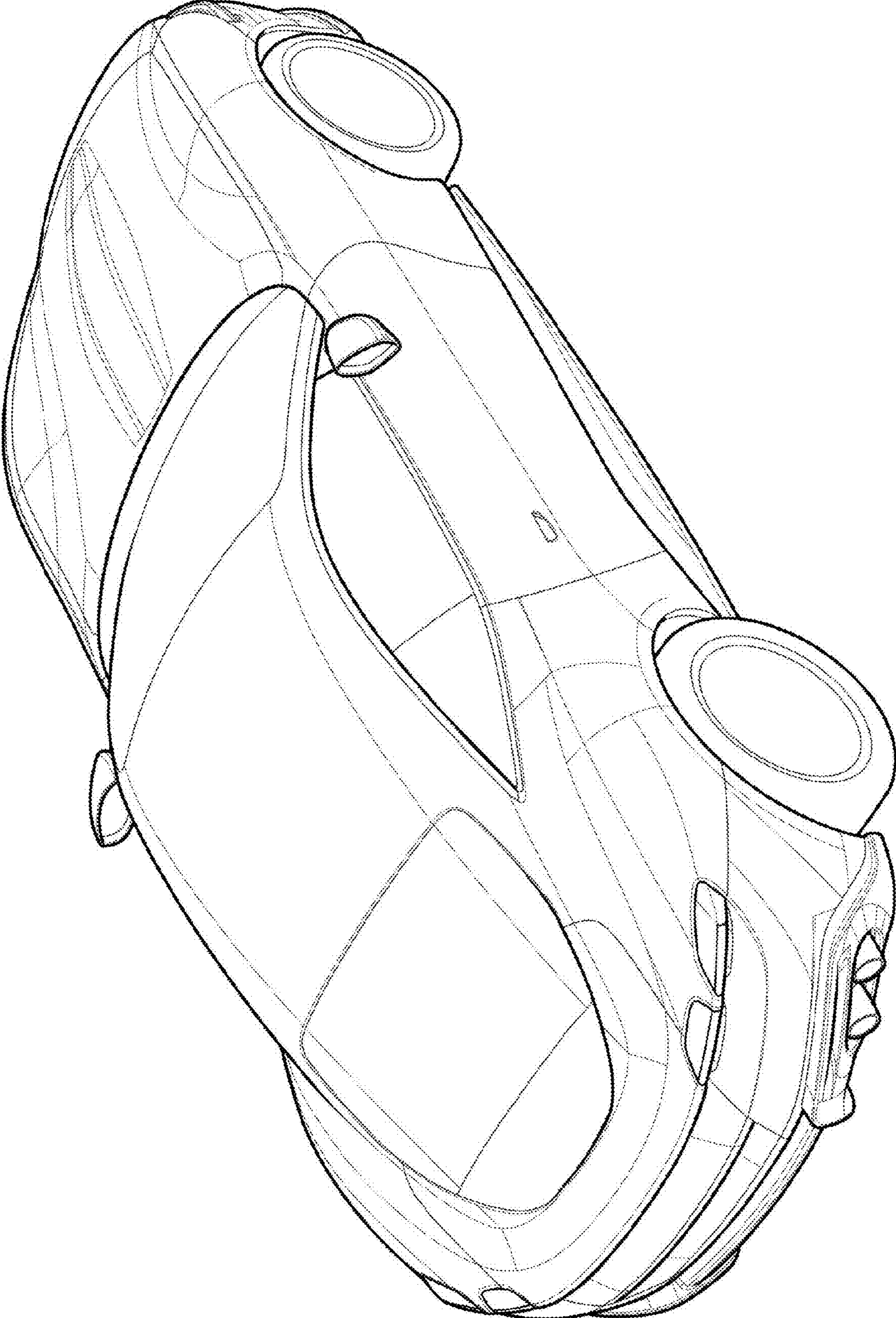


FIG. 3

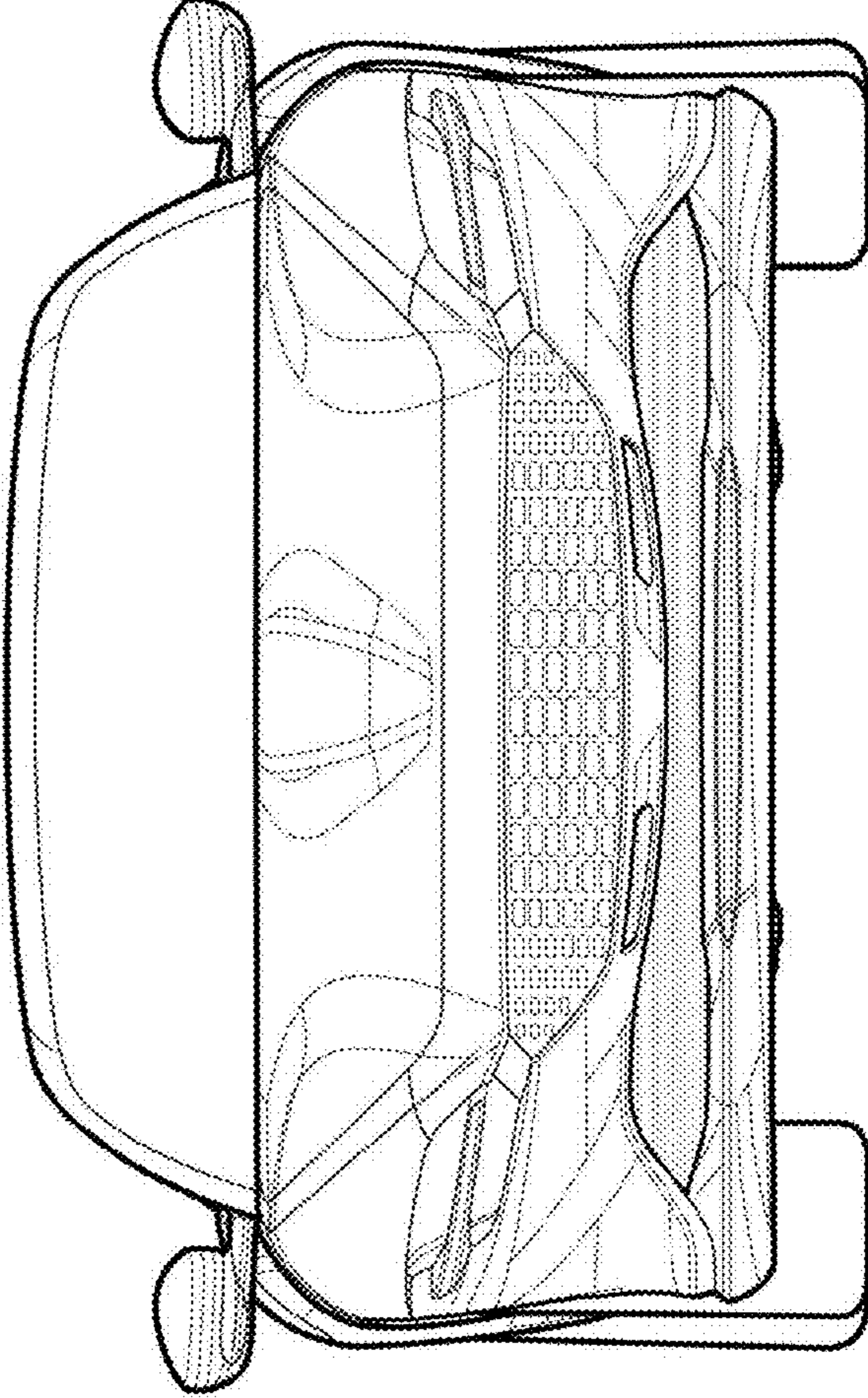


FIG. 4

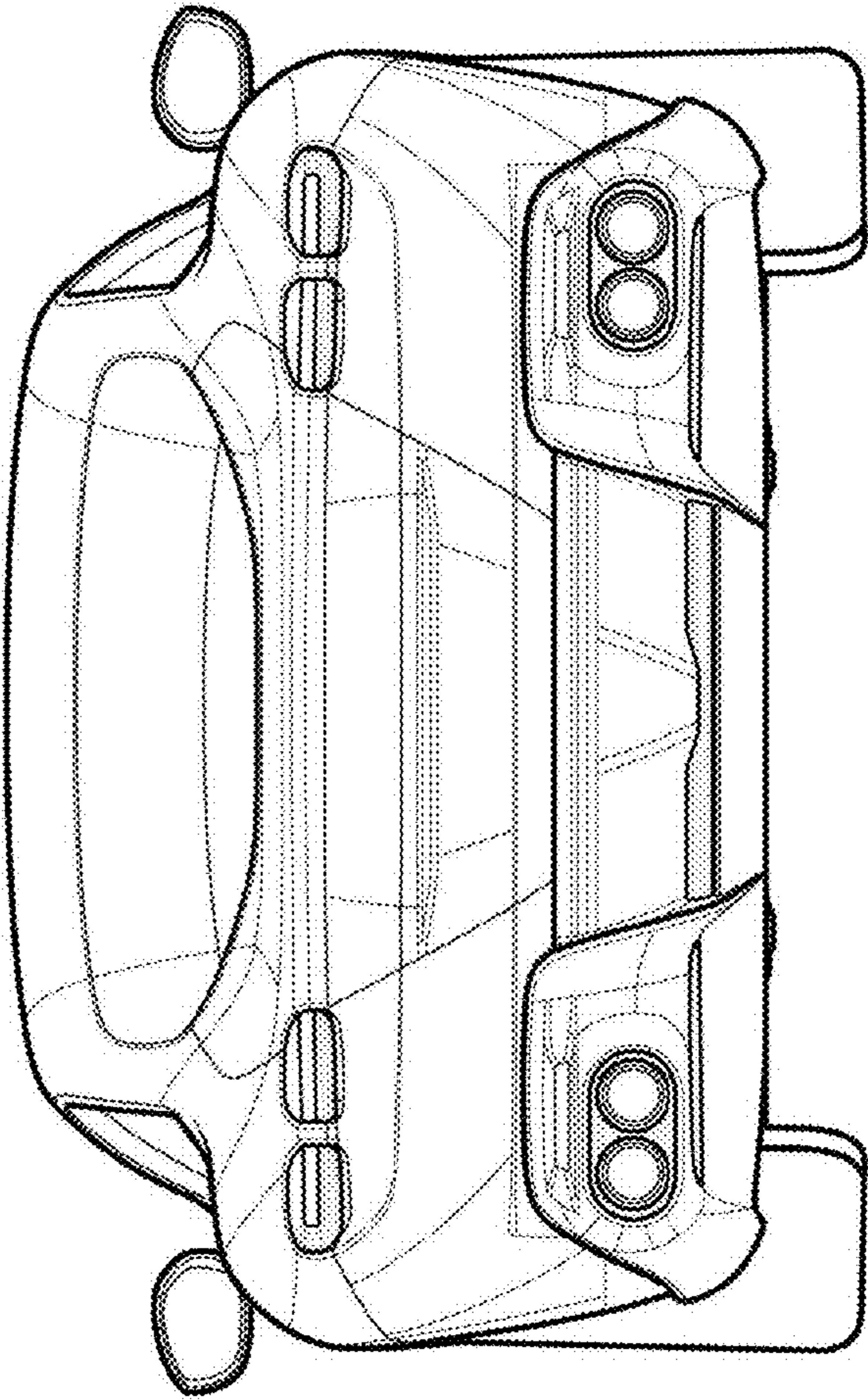


FIG. 5

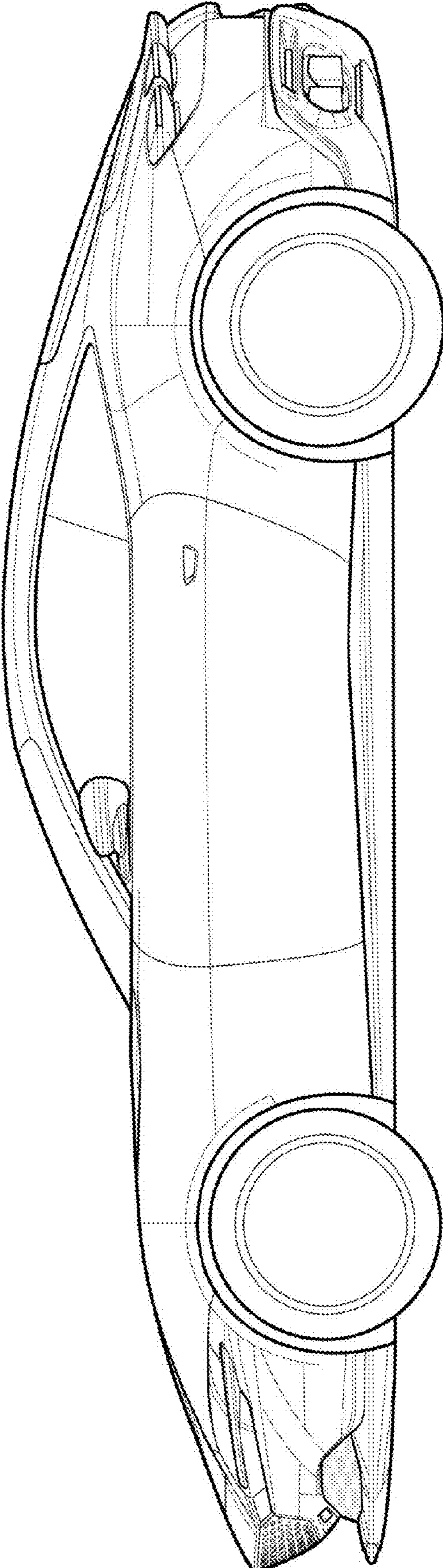


FIG. 6

