



US00D951138S

(12) **United States Design Patent**
Keman et al.

(10) **Patent No.:** **US D951,138 S**
(45) **Date of Patent:** **** May 10, 2022**

(54) **ARMORED OPERATION VEHICLE**

(71) Applicant: **FNSS SAVUNMA SISTEMLERI A.S.**,
Ankara (TR)

(72) Inventors: **Gokhan Keman**, Ankara (TR); **Tolga Yasar Yilmaz**, Ankara (TR); **Arif Madanoglu**, Ankara (TR)

(**) Term: **15 Years**

(21) Appl. No.: **29/710,927**

(22) Filed: **Oct. 28, 2019**

(30) **Foreign Application Priority Data**

Jun. 13, 2019 (TR) 2019/03736

(51) **LOC (13) Cl.** **12-13**

(52) **U.S. Cl.**
USPC **D12/12**

(58) **Field of Classification Search**

USPC D12/1, 12, 93
CPC ... F41H 5/26; F41H 5/023; F41H 7/00; F41H 7/02; F41H 7/048; F41H 7/005; F41H 7/044; F41H 7/042; F41H 5/02

See application file for complete search history.

(56) **References Cited**

U.S. PATENT DOCUMENTS

D269,418 S * 6/1983 Appelblatt D12/12
D499,670 S * 12/2004 Eckstedt D12/12

2009/0242697 A1* 10/2009 Schmidt F41H 7/02
244/106
2011/0111651 A1* 5/2011 Lee F41H 7/02
440/12.63
2014/0216238 A1* 8/2014 Pfennig F41H 7/044
89/36.02
2015/0126083 A1* 5/2015 Baus F41H 7/044
440/12.5

* cited by examiner

Primary Examiner — Ania Aman

(74) *Attorney, Agent, or Firm* — Egbert, McDaniel & Swartz, PLLC

(57) **CLAIM**

The ornamental design for an armored operation vehicle, as shown and described.

DESCRIPTION

FIG. 1 is a first perspective view of an armored operation vehicle showing our new design.

FIG. 2 is a second perspective view thereof;

FIG. 3 is a front view thereof;

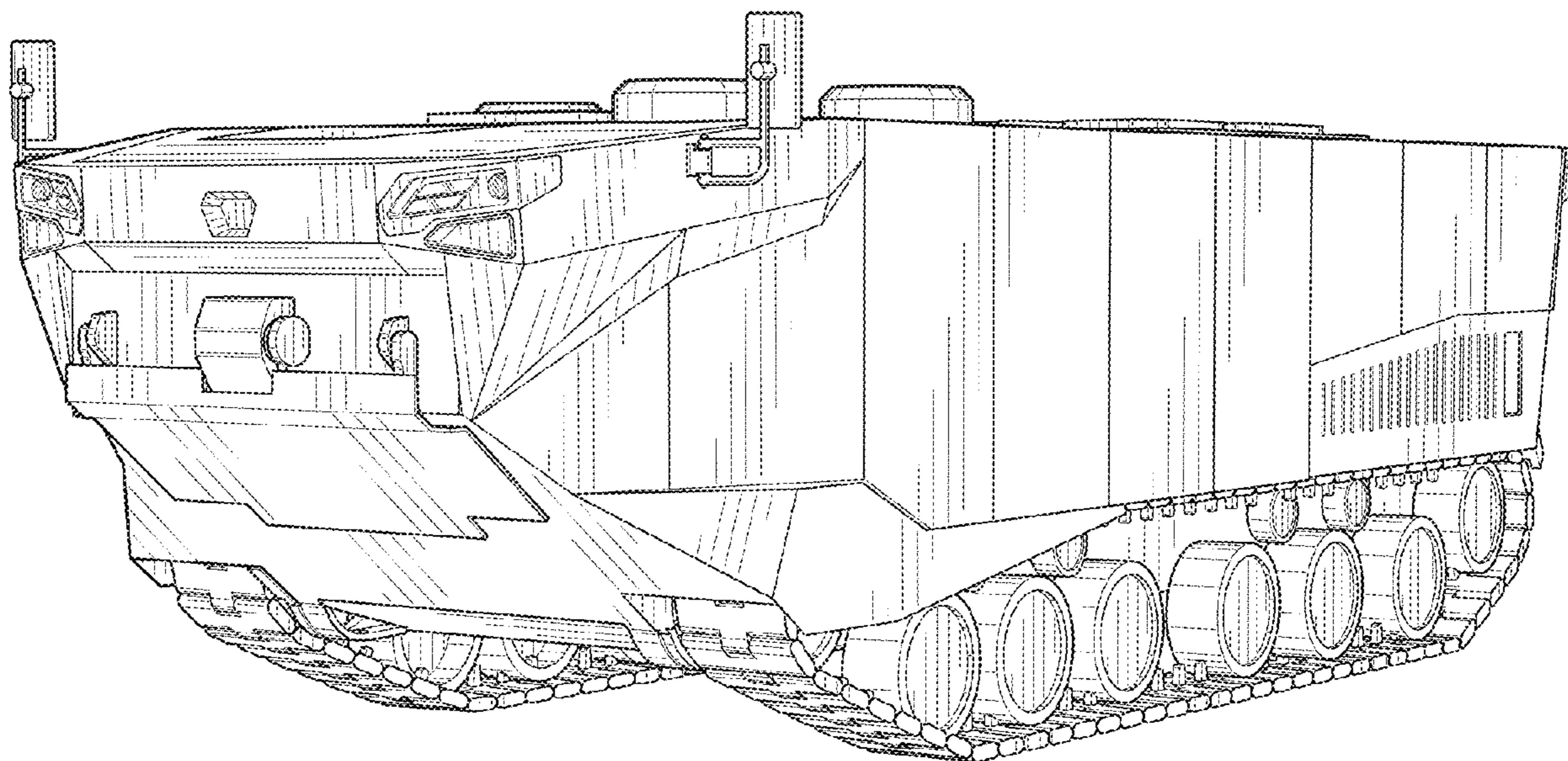
FIG. 4 is a rear view thereof;

FIG. 5 is a right side view thereof; and,

FIG. 6 is a top view thereof.

The broken lines in FIGS. 2 and 4 illustrate portions of the armored operation vehicle that form no part of the claimed design.

1 Claim, 3 Drawing Sheets



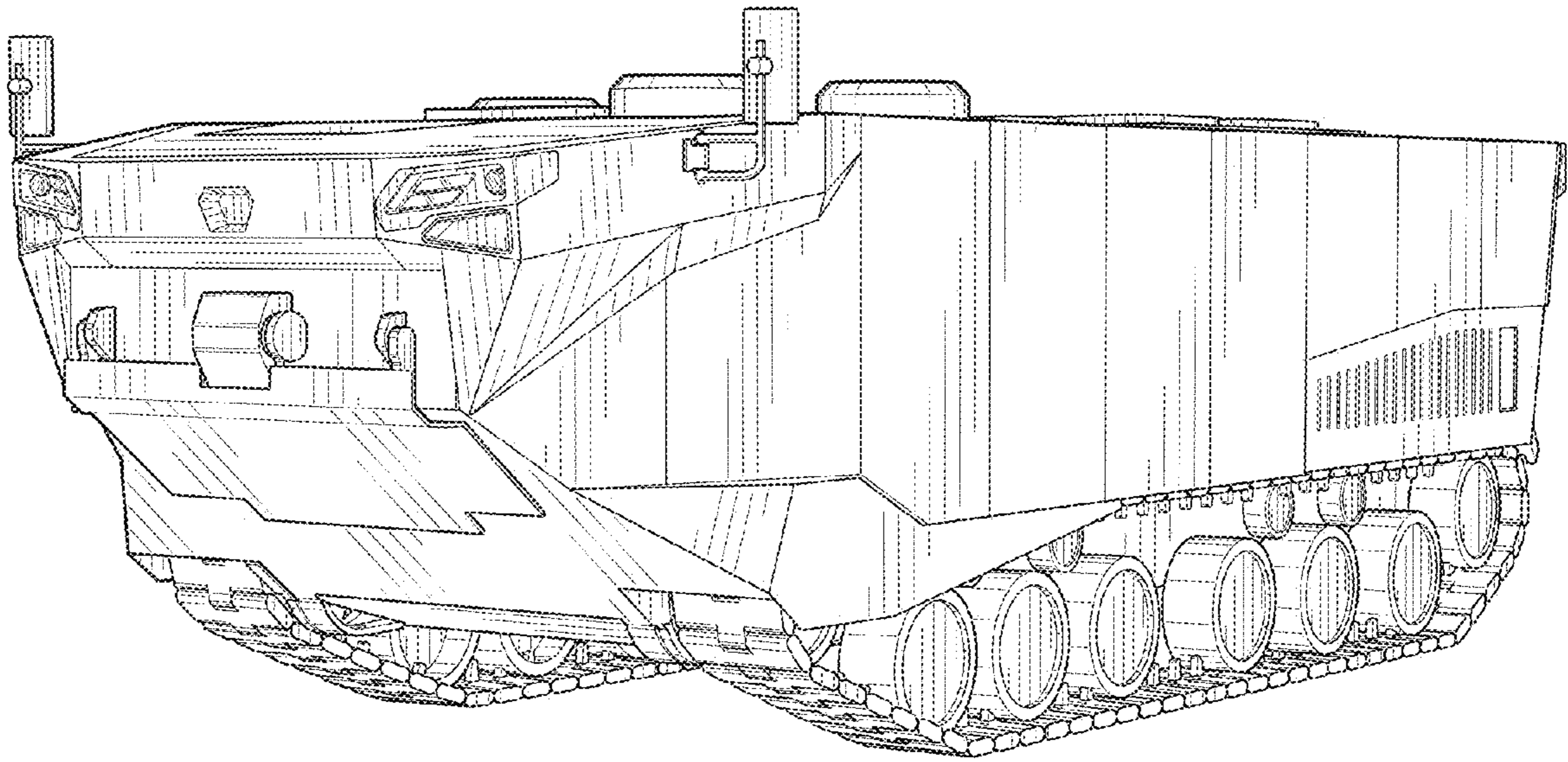


FIG. 1

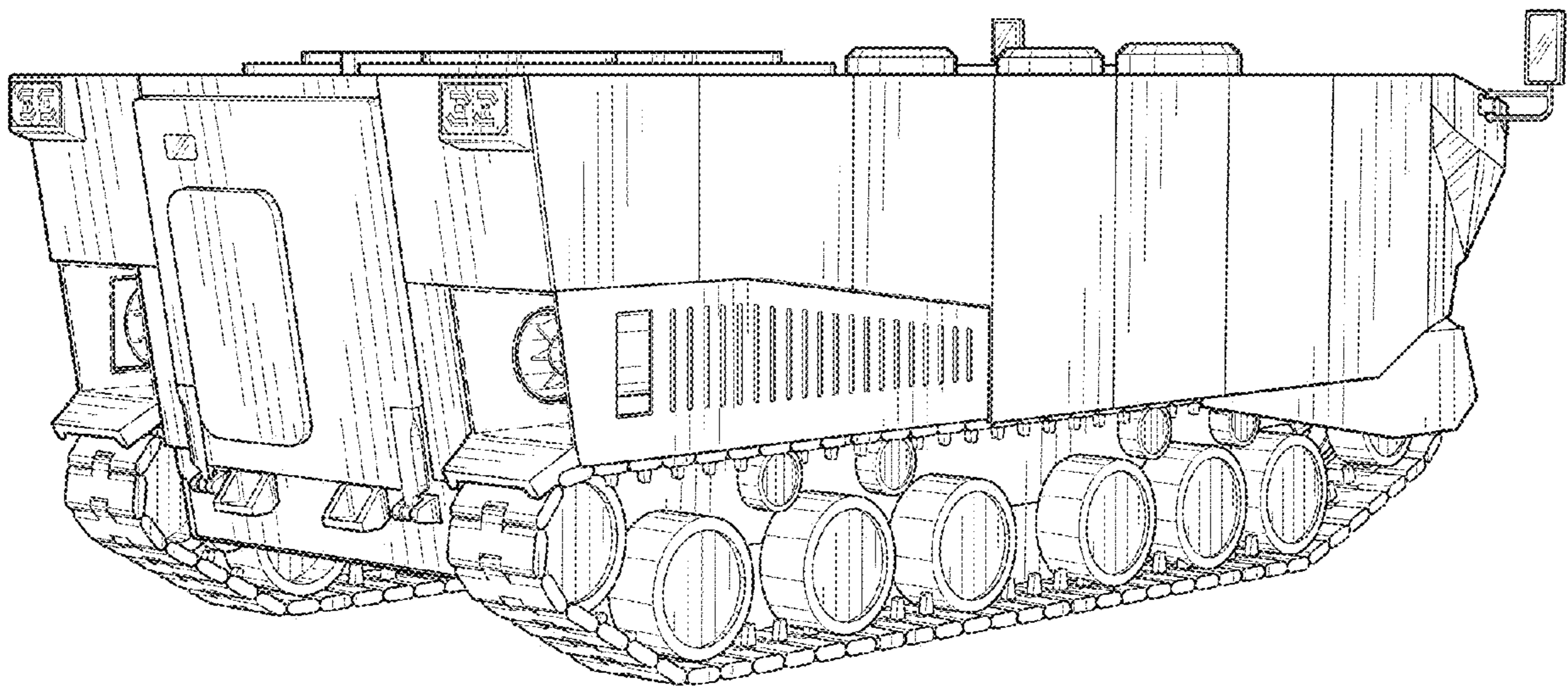


FIG. 2

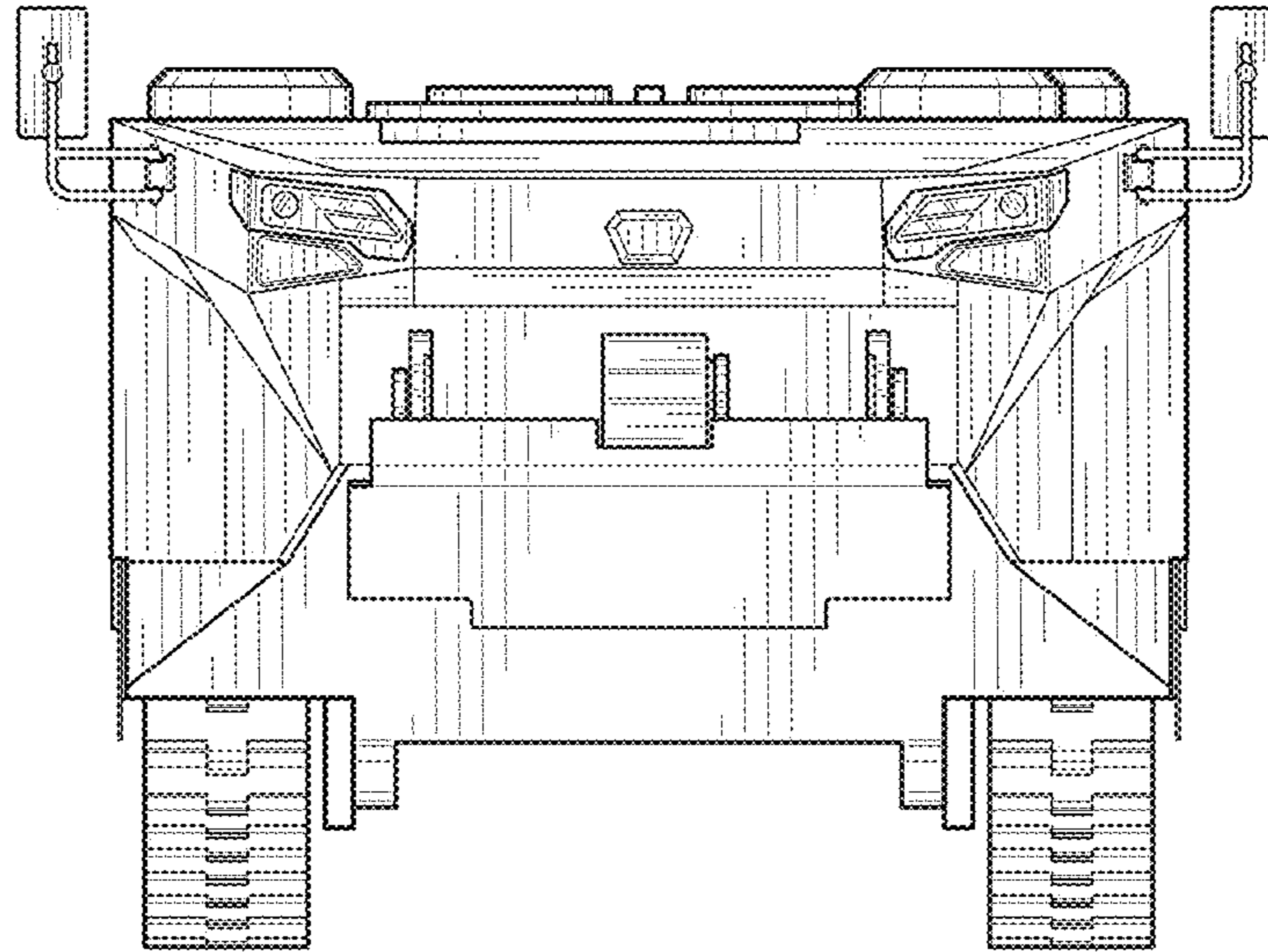


FIG. 3

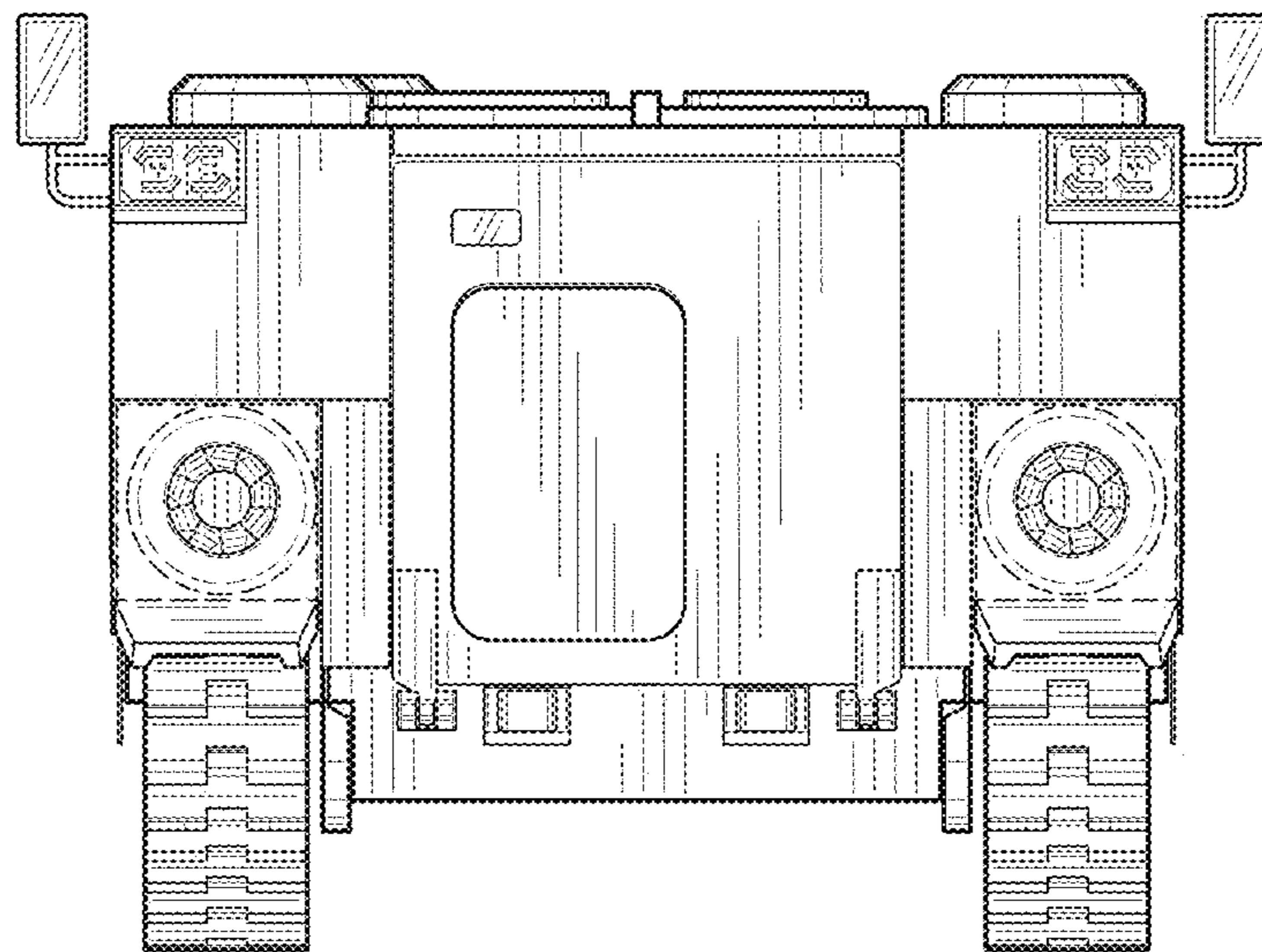


FIG. 4

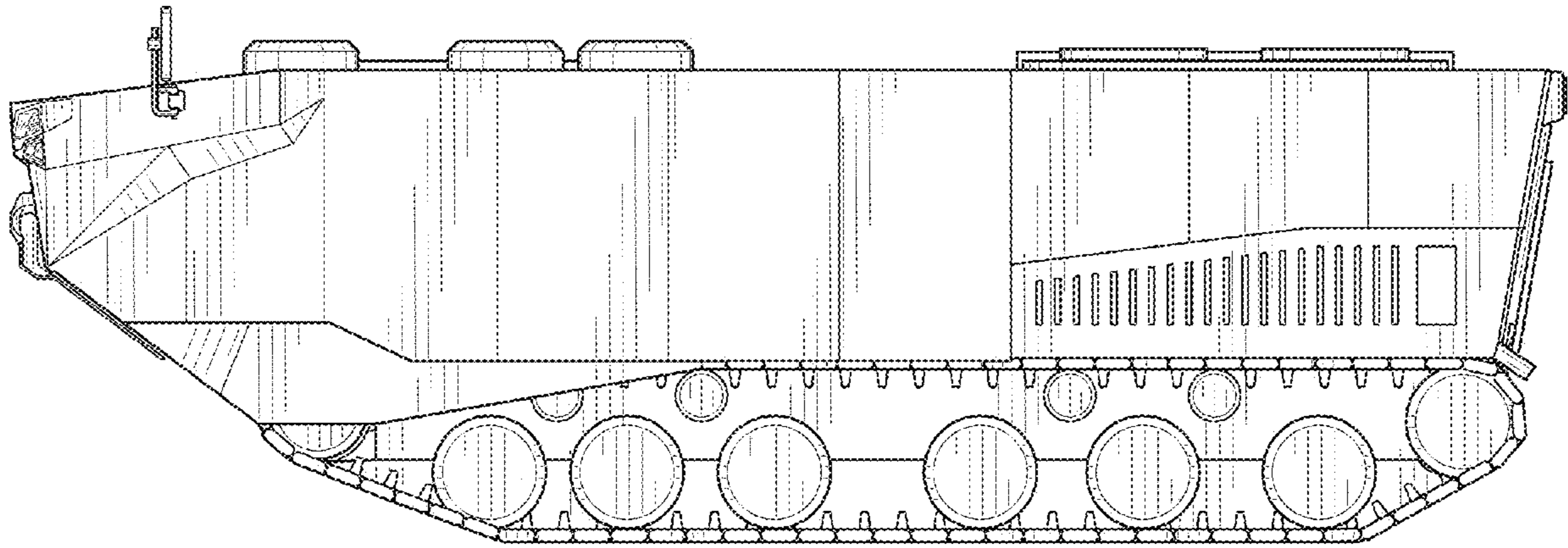


FIG. 5

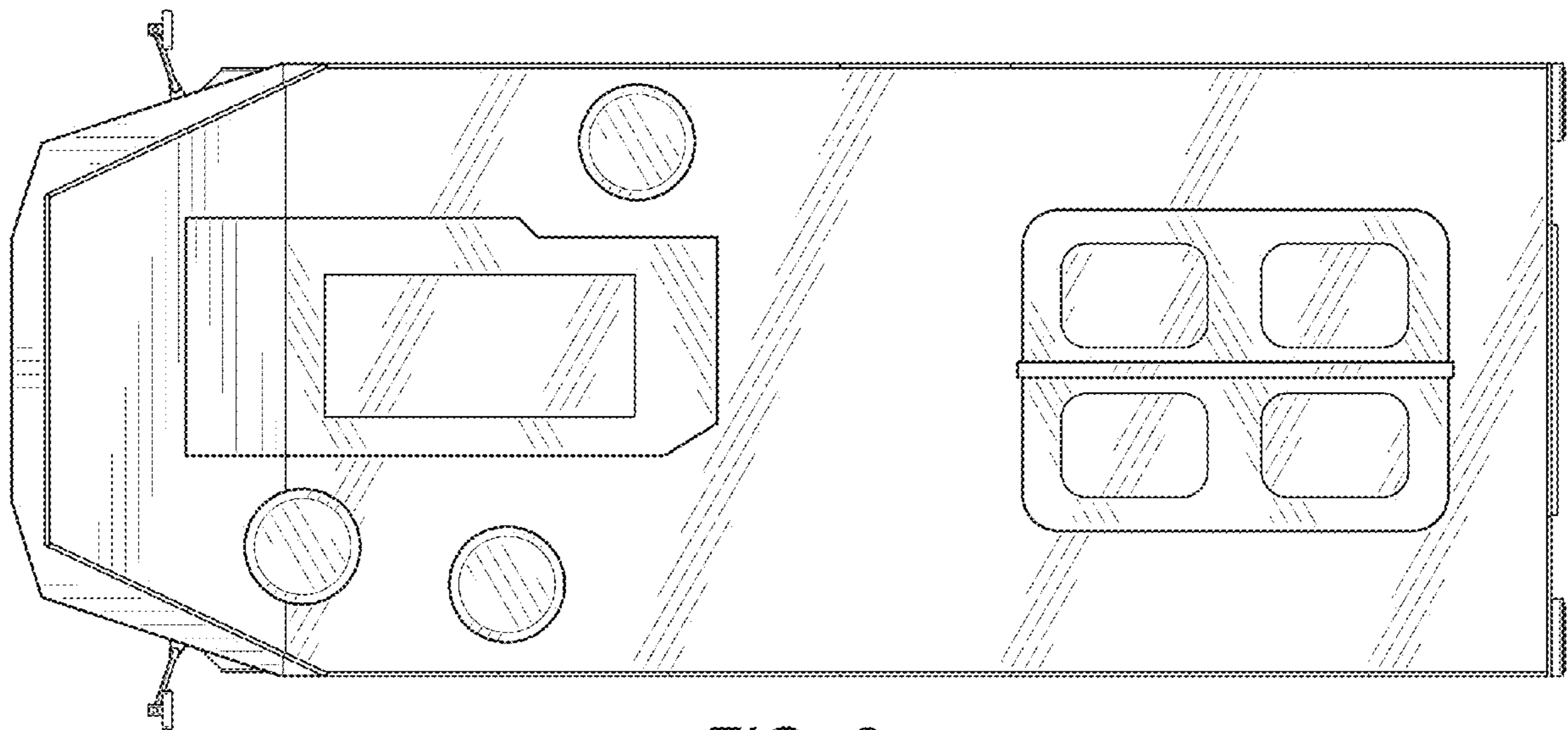


FIG. 6