



US00D951136S

(12) **United States Design Patent**
Johnson

(10) **Patent No.:** **US D951,136 S**

(45) **Date of Patent:** **** May 10, 2022**

(54) **FLOWERPOT WITH SOIL ANCHOR**

(71) Applicant: **Gerald Johnson**, Gurnee, IL (US)

(72) Inventor: **Gerald Johnson**, Gurnee, IL (US)

(**) Term: **15 Years**

(21) Appl. No.: **29/734,207**

(22) Filed: **May 11, 2020**

(51) **LOC (13) Cl.** **11-02**

(52) **U.S. Cl.**

USPC **D11/156**

(58) **Field of Classification Search**

USPC D11/143–156, 164; D6/403–405,
D6/556–558; D7/584, 587; D8/1

CPC . A01G 9/02; A01G 9/021; A01G 9/04; A01G
27/003; A01G 31/06; A47G 7/00; A47G
7/02; A47G 7/04; A47G 7/08

See application file for complete search history.

(56) **References Cited**

U.S. PATENT DOCUMENTS

- 837,524 A * 12/1906 Wharton, Jr. A01G 9/02
47/68
- 1,055,914 A * 3/1913 Hus A01G 9/12
47/45
- 2,796,980 A * 6/1957 Callinicos B65D 85/505
206/423
- 2,814,161 A * 11/1957 Hawkins A01G 9/029
47/80
- 3,265,022 A * 8/1966 Kaufman B65D 7/34
72/29.2
- D212,374 S * 10/1968 Hundt D11/156
- D223,732 S * 5/1972 Misenko D19/76
- 3,813,813 A * 6/1974 Powell A01G 9/02
47/68
- D238,601 S * 1/1976 Cobia D11/156
- D242,771 S * 12/1976 Papillon D9/761
- 4,031,832 A 6/1977 Edwards

- 4,176,620 A * 12/1979 Kassos A01K 63/003
119/246
 - 4,559,738 A * 12/1985 Helfman A47G 7/044
47/67
 - 4,698,936 A * 10/1987 Helfman A01G 9/02
47/40
 - 5,209,015 A * 5/1993 De Filippi A01G 27/003
47/48.5
 - 5,337,517 A * 8/1994 Karthaus A01G 9/04
47/71
 - D387,981 S * 12/1997 Mosior D3/304
- (Continued)

FOREIGN PATENT DOCUMENTS

- CA 1195118 A 10/1985
 - CN 201976493 U 9/2011
- (Continued)

Primary Examiner — Elizabeth A. Albert
(74) *Attorney, Agent, or Firm* — Lesley A. Wallerstein,
LLC

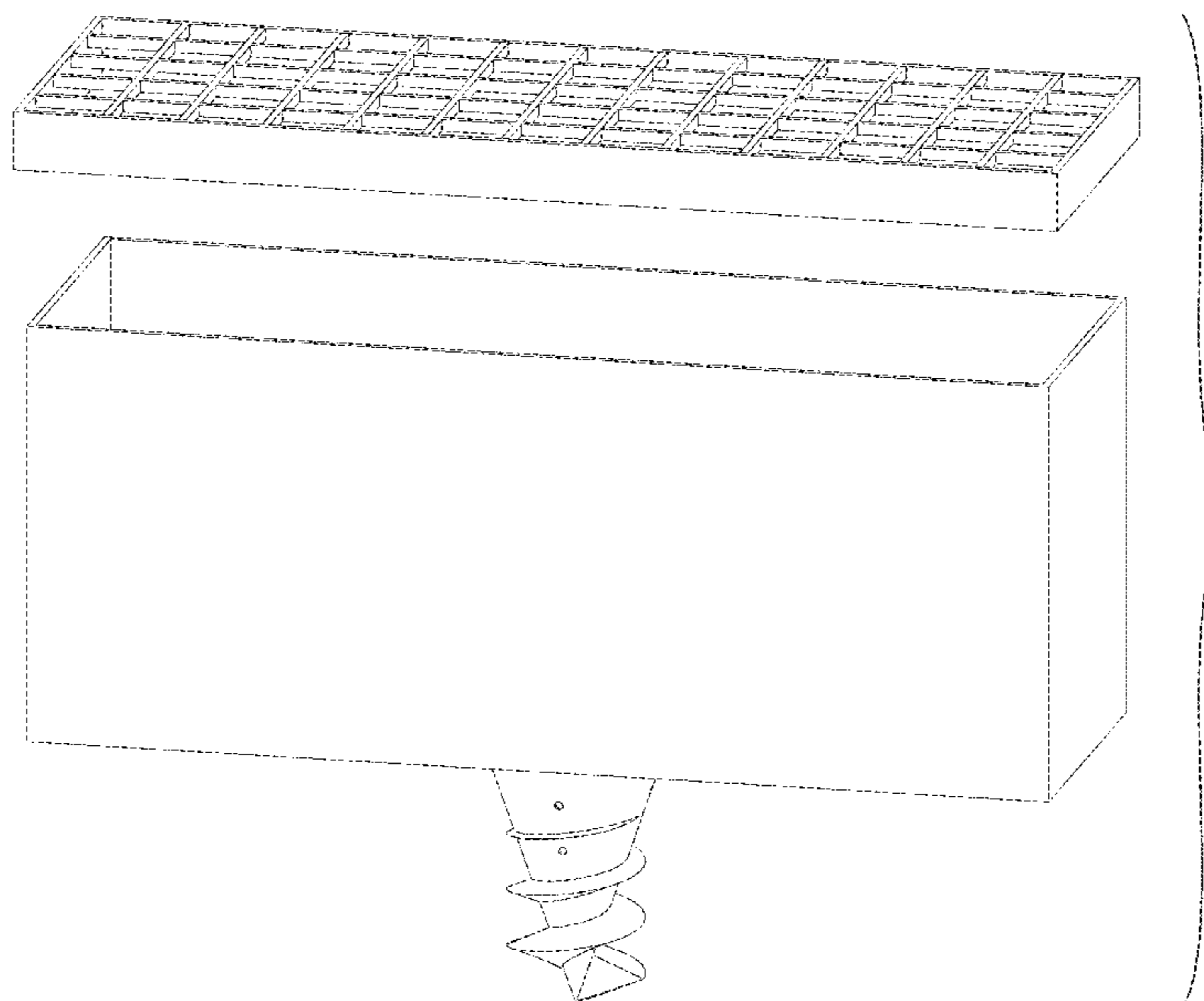
(57) **CLAIM**

The ornamental design for a flowerpot with soil anchor, as shown and described.

DESCRIPTION

FIG. 1 is a front top perspective view of a flowerpot with soil anchor, according to the present invention.
FIG. 2 is a front view thereof.
FIG. 3 is a back view thereof.
FIG. 4 is a left view thereof.
FIG. 5 is a right view thereof.
FIG. 6 is a top view thereof.
FIG. 7 is a bottom view thereof; and,
FIG. 8 is another perspective view thereof.
The broken lines in FIG. 6 are included to show a portion of the flowerpot with soil anchor that forms no part of the claimed design.

1 Claim, 7 Drawing Sheets



(56)

References Cited

U.S. PATENT DOCUMENTS

6,108,971 A * 8/2000 Zaremba A01G 9/022
47/65.5
D591,510 S * 5/2009 Auer D3/304
D630,123 S * 1/2011 Ott D11/144
D763,684 S * 8/2016 O'Neill D9/432
D775,467 S * 1/2017 Nilsson D3/306
9,572,307 B2 * 2/2017 Mermelstein A01G 9/12
D798,146 S * 9/2017 Goenka D9/432
10,064,344 B1 * 9/2018 Meyer A01G 9/027
D901,326 S * 11/2020 Briggs D11/148
11,076,537 B2 * 8/2021 Glennerster A01G 9/023
D932,344 S * 10/2021 Jackson D11/143
2005/0204621 A1 * 9/2005 Garrison A01G 9/02
47/66.1
2009/0064573 A1 * 3/2009 Braun A01G 9/02
47/65.5
2015/0230411 A1 * 8/2015 Gruenewald A01G 9/02
47/66.7

2016/0057951 A1 3/2016 Twist
2016/0135385 A1 * 5/2016 Wang A01G 17/04
47/44
2018/0213726 A1 * 8/2018 Gruenewald A01G 9/02

FOREIGN PATENT DOCUMENTS

CN 106688739 A 5/2017
CN 206728674 U 12/2017
CN 109328739 A 2/2019
EP 2733264 A1 5/2014
FR 1510269 A 1/1968
JP 2006061042 A 3/2006
JP 2006254865 A 9/2006
KR 20130677207 1/2013
KR 20140068414 A 6/2014
KR 20140116351 A 10/2014
KR 20170004197 U 12/2017
WO 2004074214 A3 11/2004

* cited by examiner

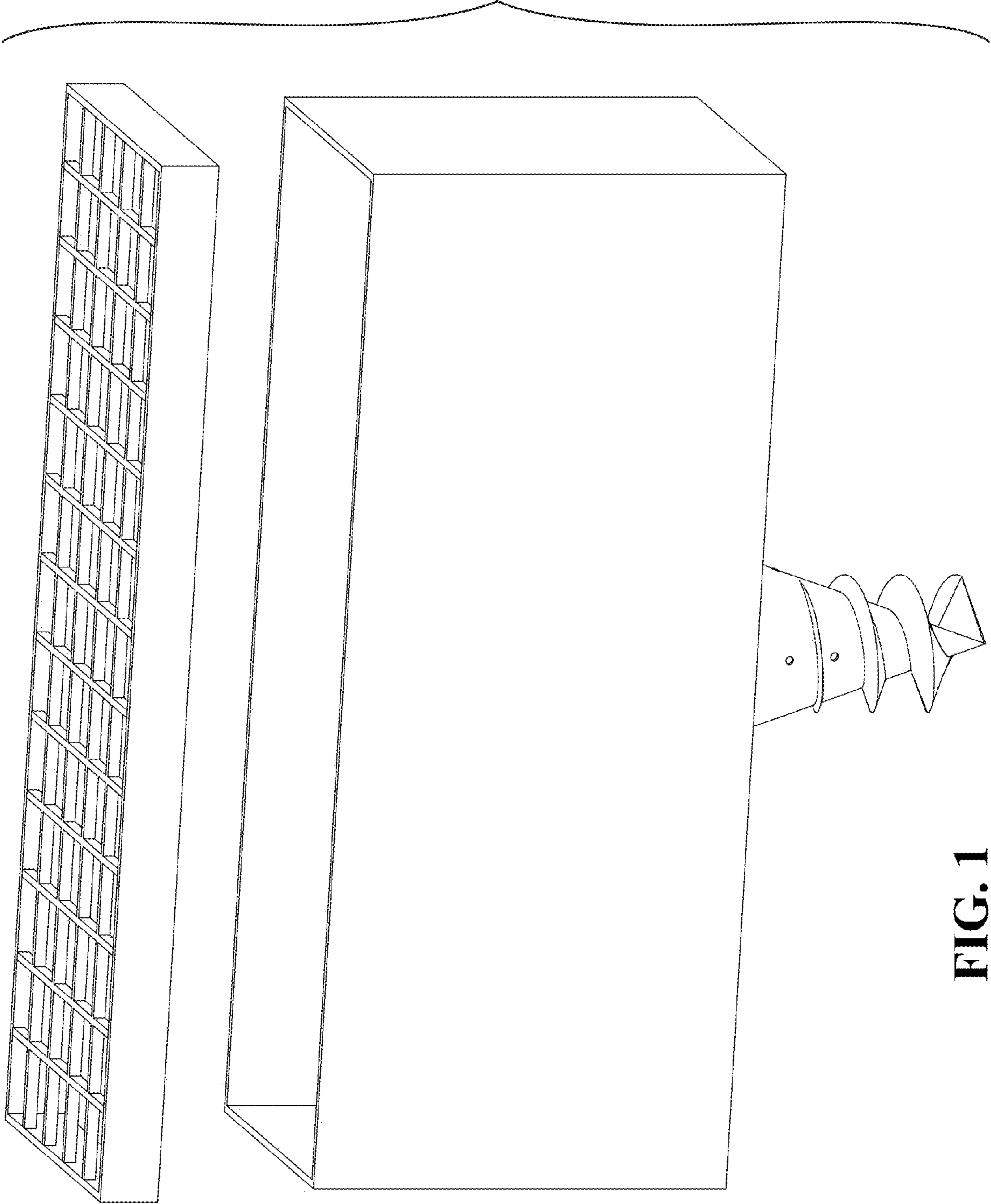


FIG. 1

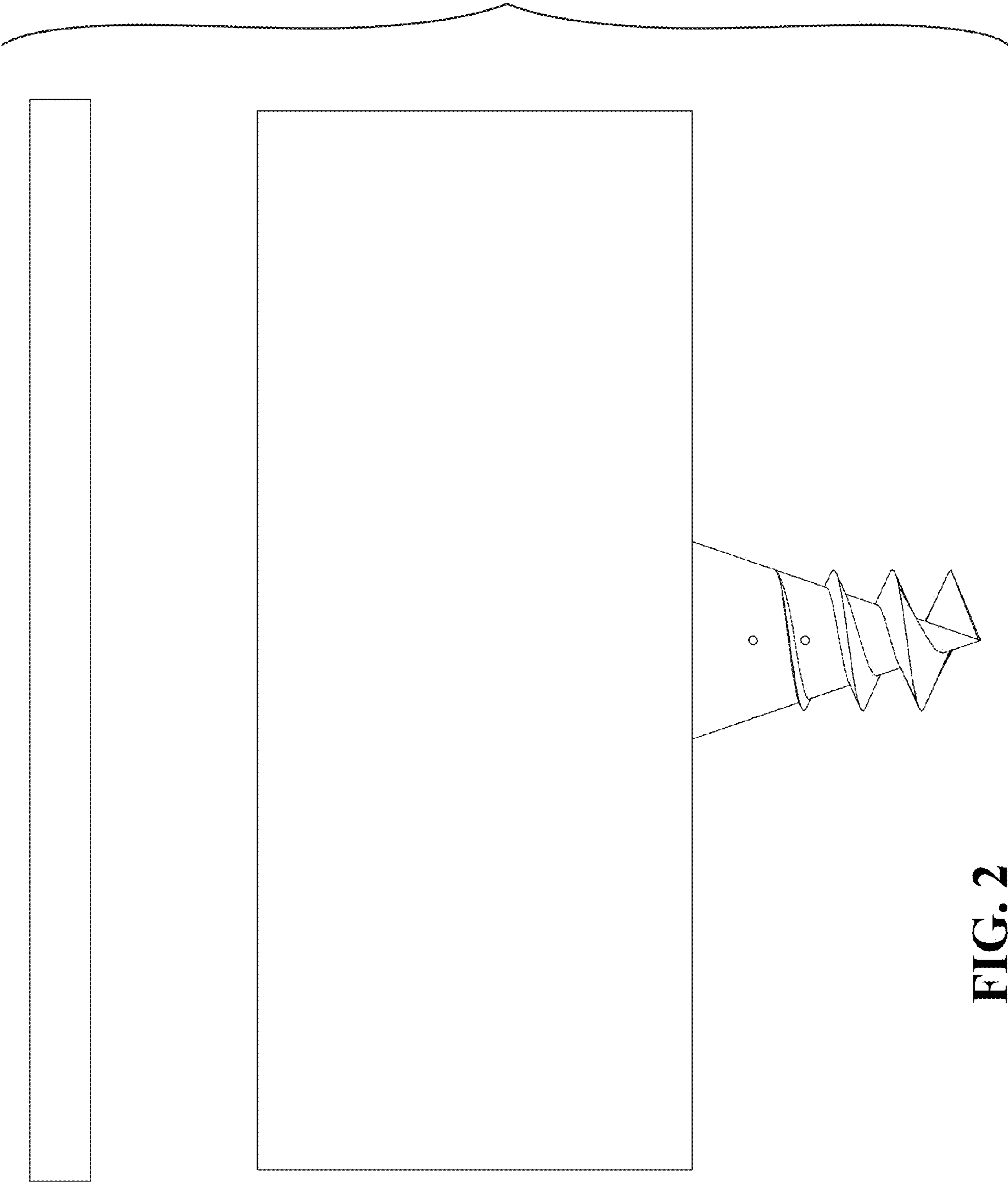


FIG. 2

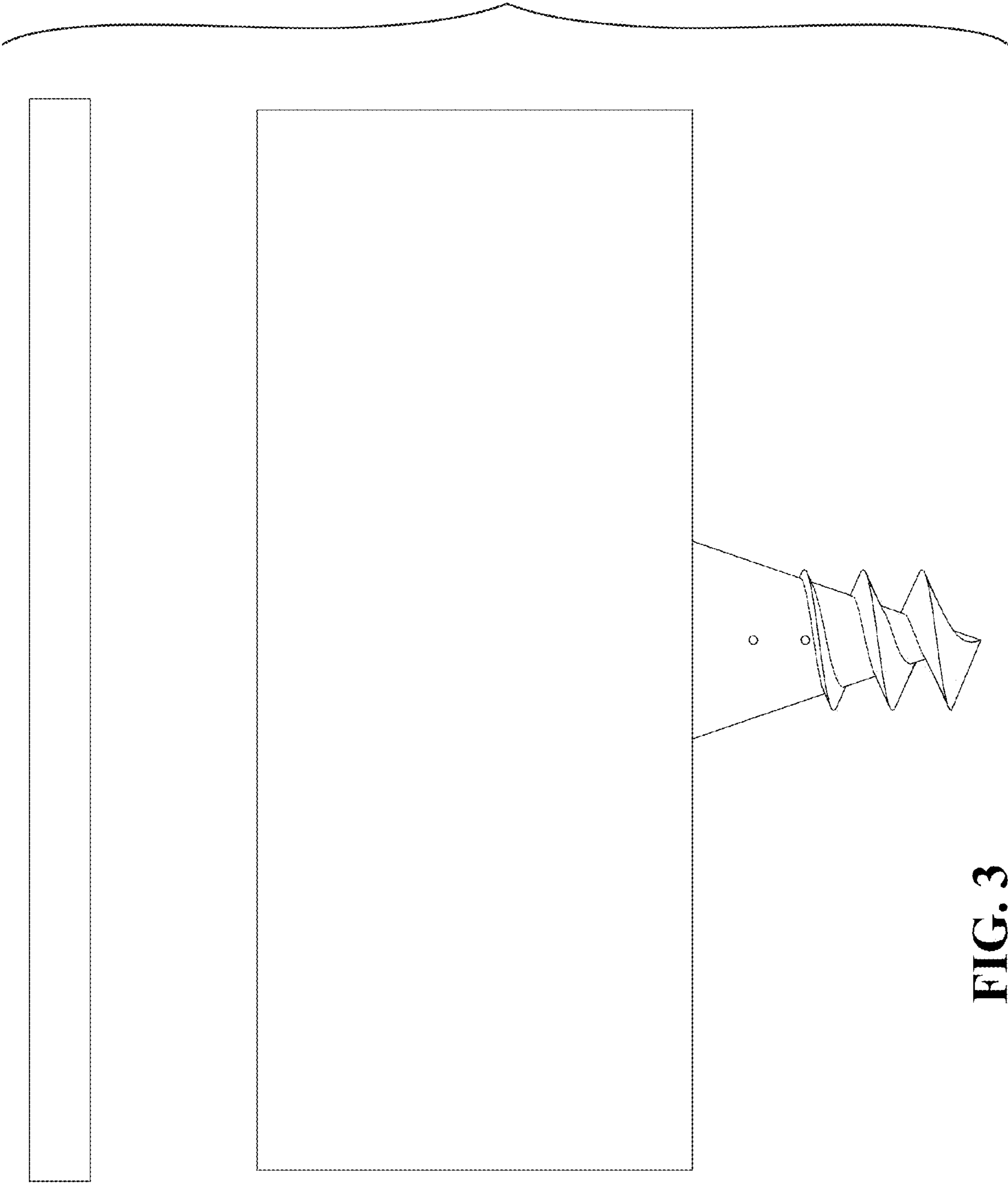


FIG. 3

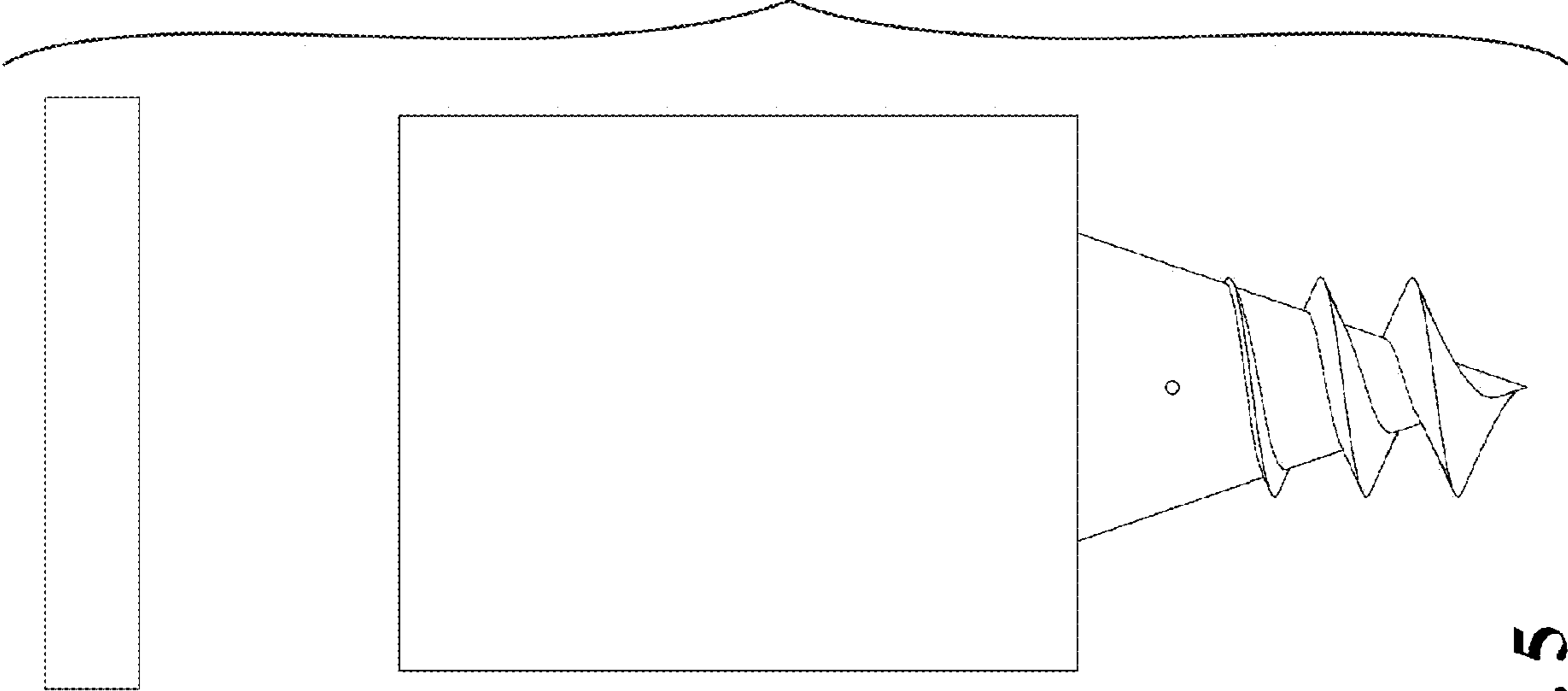


FIG. 5

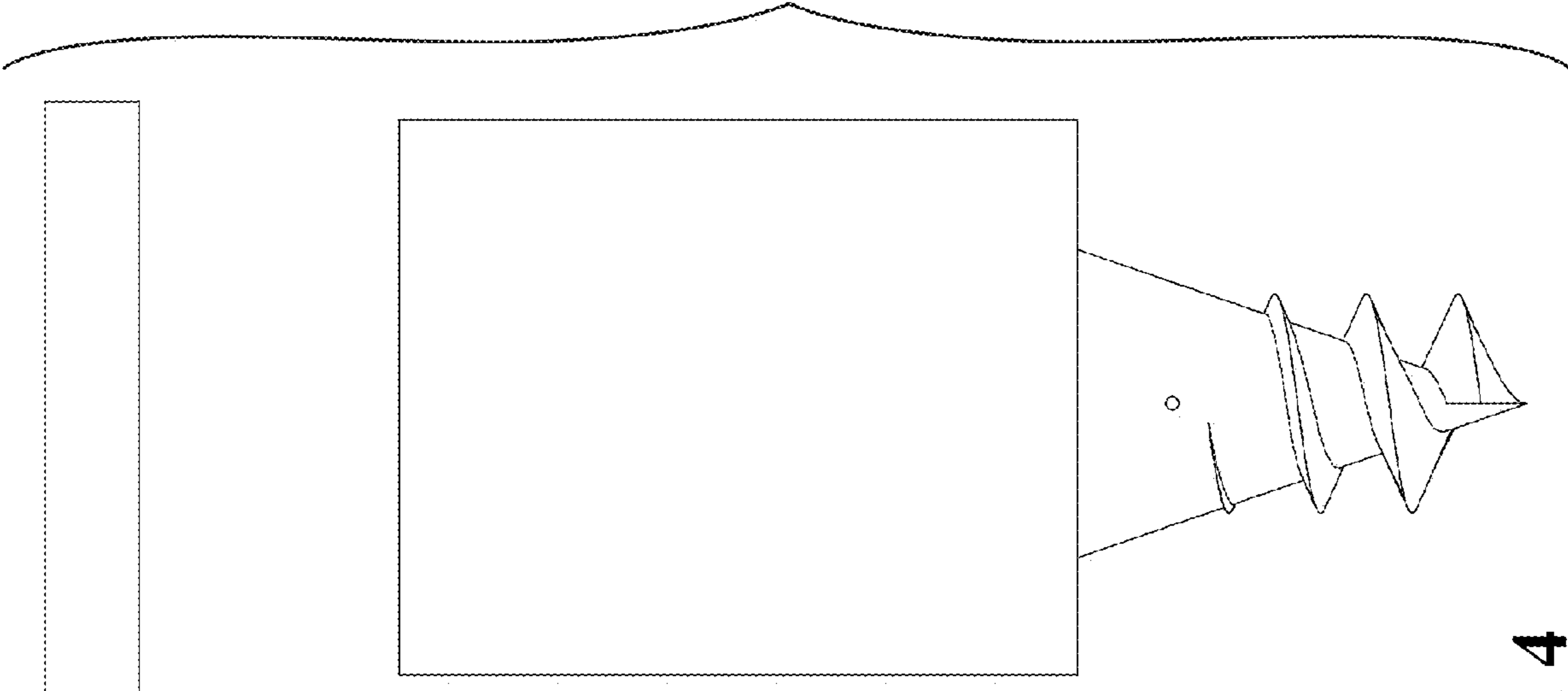


FIG. 4

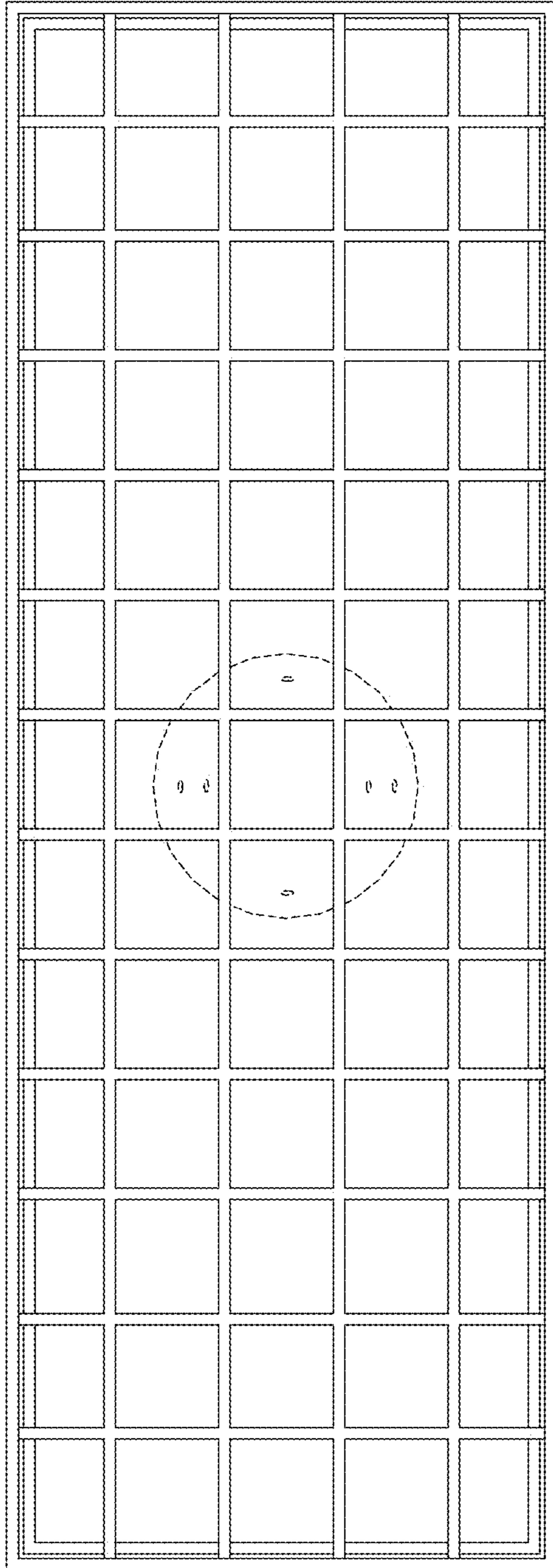


FIG. 6

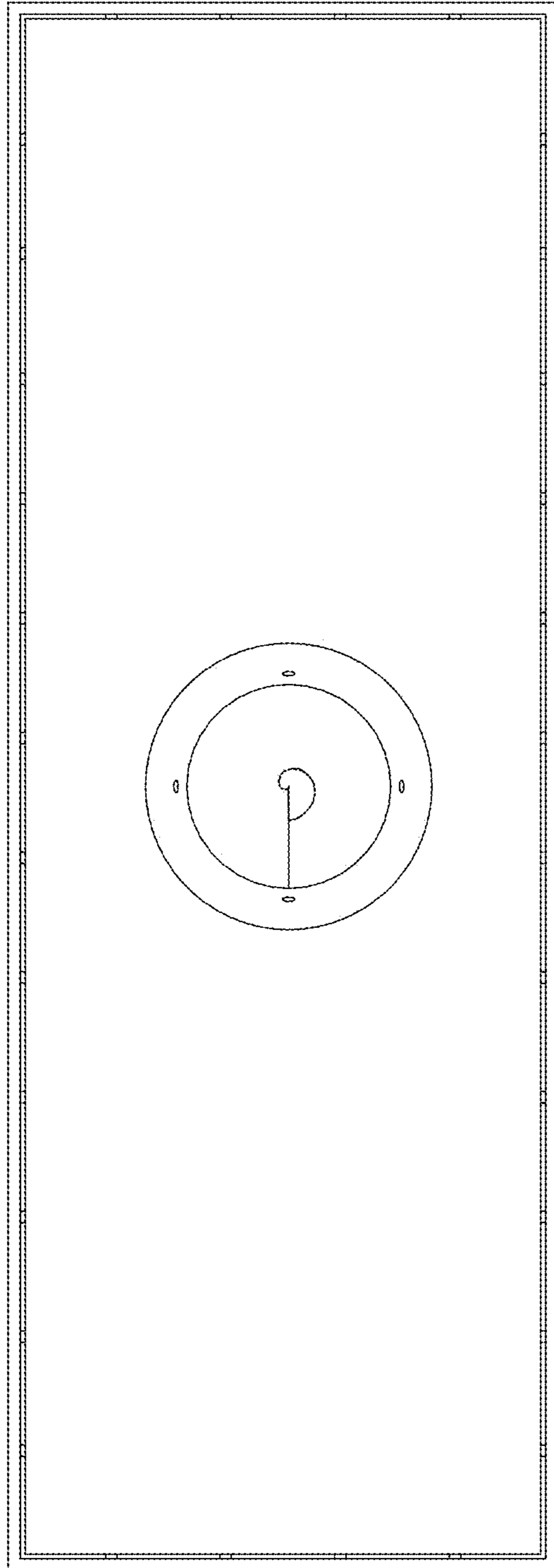


FIG. 7

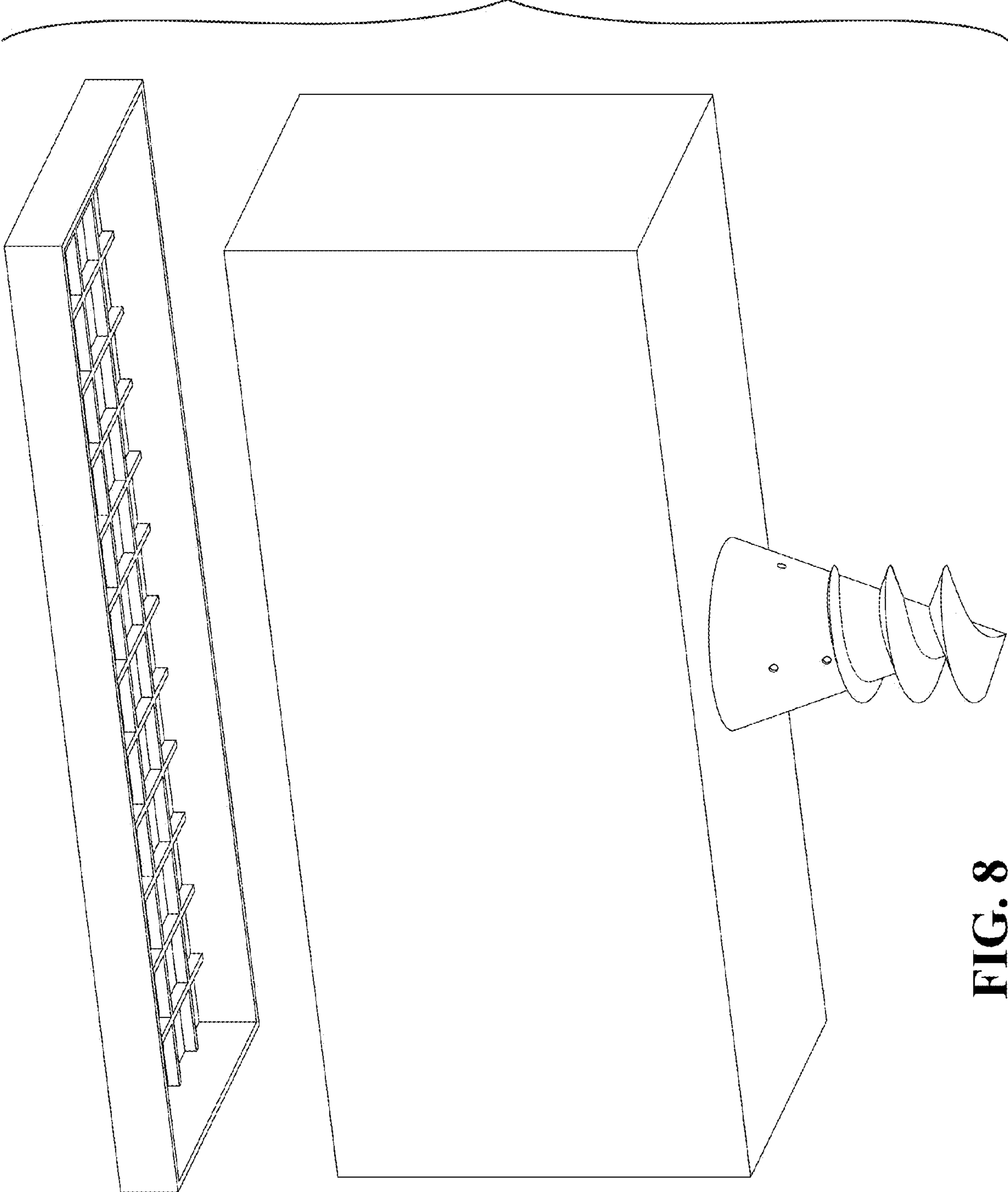


FIG. 8