



US00D951135S

(12) **United States Design Patent** (10) **Patent No.:** **US D951,135 S**
Lin (45) **Date of Patent:** **** May 10, 2022**

(54) **PLANTER**
(71) Applicant: **Yongming Lin**, Guangdong (CN)
(72) Inventor: **Yongming Lin**, Guangdong (CN)
(**) Term: **15 Years**
(21) Appl. No.: **29/728,867**
(22) Filed: **Mar. 23, 2020**
(51) **LOC (13) Cl.** **11-02**
(52) **U.S. Cl.**
USPC **D11/155**
(58) **Field of Classification Search**
USPC D11/143–156, 164; D6/403–405,
D6/556–558; D26/9, 10
CPC . A01G 9/02; A01G 9/021; A01G 9/04; A01G
27/003; A01G 31/02; A01G 31/06
See application file for complete search history.

D888,603 S * 6/2020 Tong D11/144
10,757,875 B2 * 9/2020 Loiske A01G 31/02
D899,299 S * 10/2020 Craig D11/155
D924,724 S * 7/2021 Li D11/155
D932,346 S * 10/2021 Song D11/156
2006/0272210 A1 * 12/2006 Bissonnette A01G 31/02
47/69
2008/0282610 A1 * 11/2008 Bissonnette A01G 7/045
47/64
2009/0151248 A1 * 6/2009 Bissonnette A01G 31/02
47/59 S

(Continued)

OTHER PUBLICATIONS

IDOO 12 Pods Hydroponics Growing System, 1,291 ratings, Item model No. ID-iG301, ASIN: B08DLMRKHM, online on Amazon.com, Date of earliest review: Nov. 10, 2020.*

(Continued)

Primary Examiner — Elizabeth A. Albert

(56) **References Cited**

U.S. PATENT DOCUMENTS

3,142,133 A * 7/1964 Brooks A01G 9/0295
47/73
D245,407 S * 8/1977 Ware D11/144
4,236,353 A * 12/1980 Sorenson A01G 27/04
47/39
D416,102 S * 11/1999 Schulman D11/144
D604,197 S * 11/2009 Bissonnette D11/144
8,261,486 B2 * 9/2012 Bissonnette A01G 27/003
47/59 R
D713,284 S * 9/2014 Prinster A01G 31/02
D11/143
D729,115 S * 5/2015 Prinster D11/144
D760,118 S * 6/2016 Lepp D11/142
D767,638 S * 9/2016 Kuge D15/10
9,528,694 B2 * 12/2016 Lin A01G 27/003
D792,808 S * 7/2017 Verneuil D11/144
D801,213 S * 10/2017 Kim D11/155
D864,016 S * 10/2019 Woltz D11/143
D888,602 S * 6/2020 Kadosh D11/144

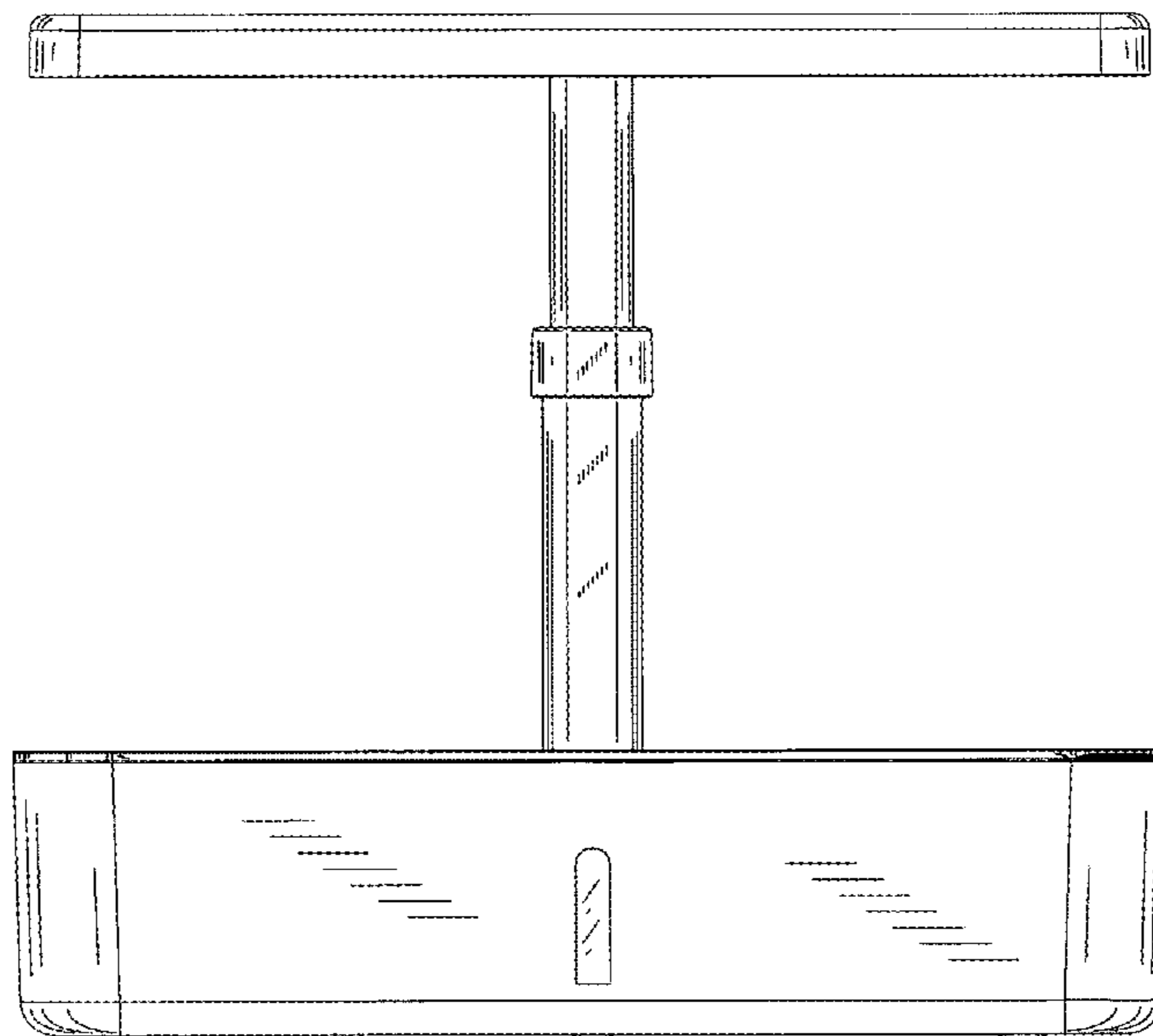
(57) **CLAIM**

The ornamental design for a planter, as shown and described.

DESCRIPTION

FIG. 1 is a front elevational view of a planter showing my new design;
FIG. 2 is a rear elevational view thereof;
FIG. 3 is a left side view thereof;
FIG. 4 is a right side view thereof;
FIG. 5 is a top plan view thereof;
FIG. 6 is a bottom plan view thereof;
FIG. 7 is a perspective view thereof;
FIG. 8 is a second perspective view thereof; and,
FIG. 9 is a third perspective view thereof.
The broken lines illustrate portions of the planter that form no part of the claimed design.

1 Claim, 9 Drawing Sheets



(56)

References Cited

U.S. PATENT DOCUMENTS

2010/0031566 A1* 2/2010 Azoulay G07F 11/00
47/61
2015/0305259 A1* 10/2015 Galassi A01G 31/02
47/62 R
2019/0200541 A1* 7/2019 Park A01G 9/042
2020/0068809 A1* 3/2020 Ko H05B 47/16
2021/0068358 A1* 3/2021 Im A01G 7/045

OTHER PUBLICATIONS

Oliz Z202 Smart garden home indoor fiberglass vegetable planters
box, manufactured by Shenzhen Kenong Gardening Technology ,
online on Alibaba.com, 2016.*

* cited by examiner

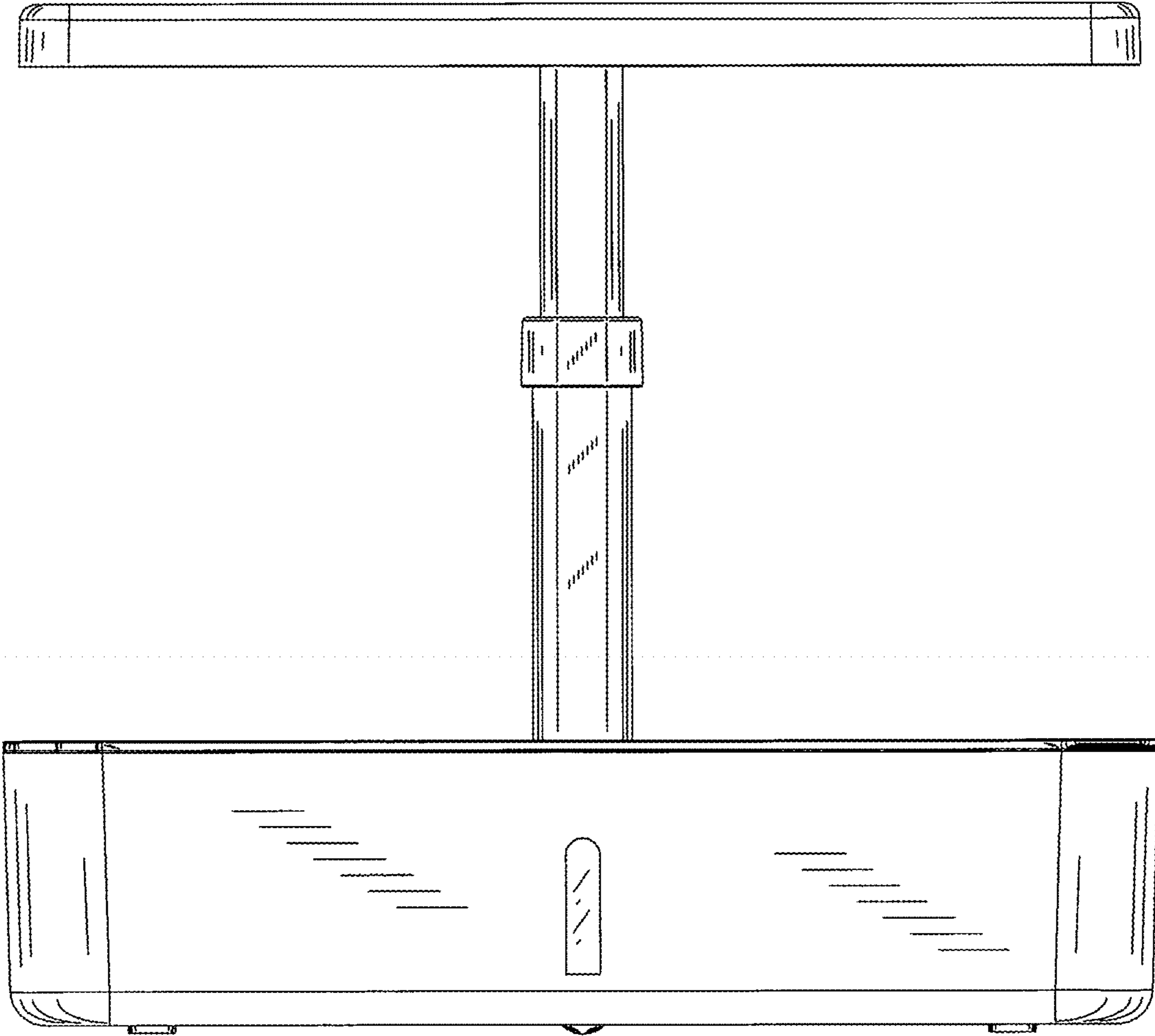


FIG. 1

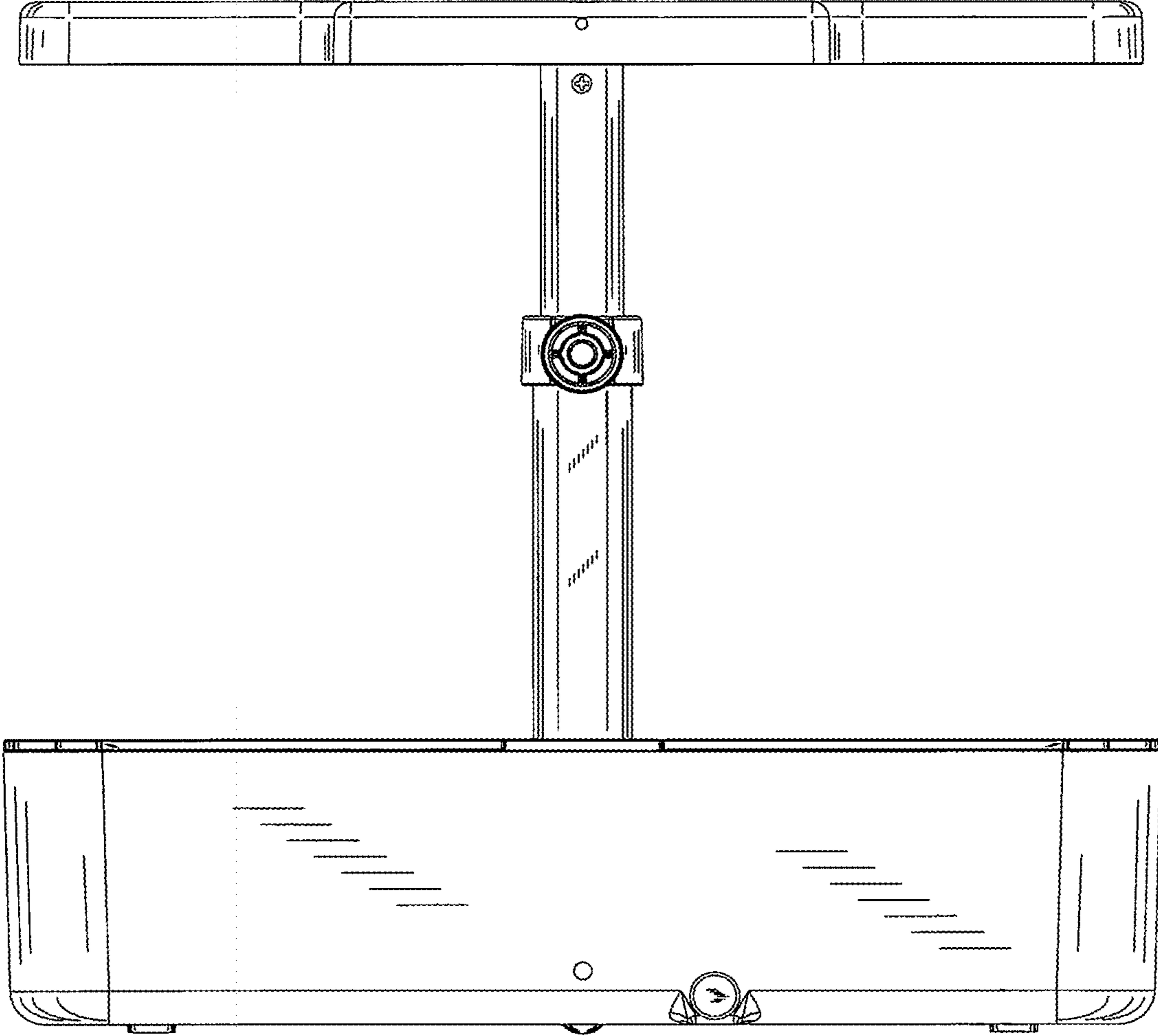


FIG. 2

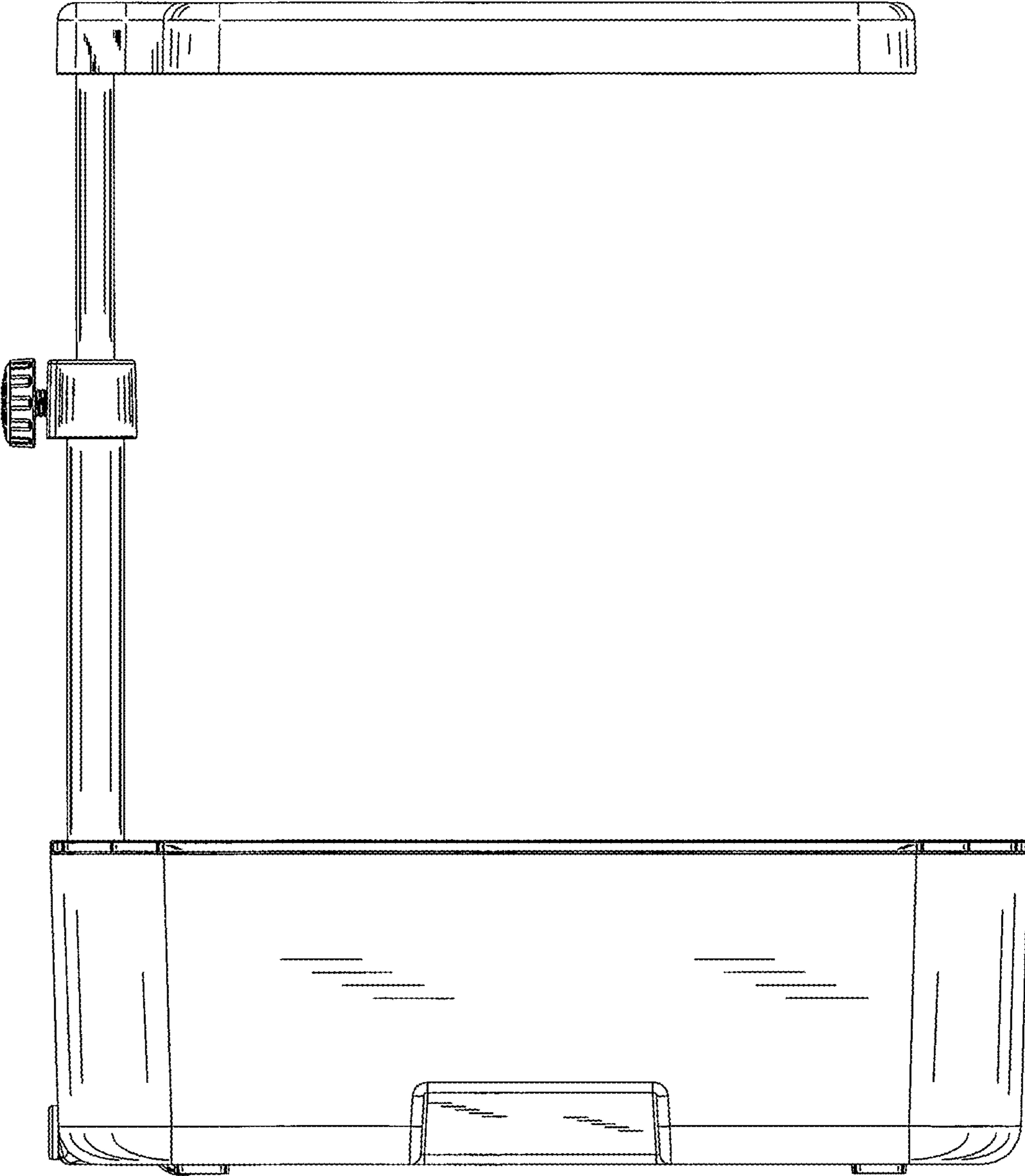


FIG. 3

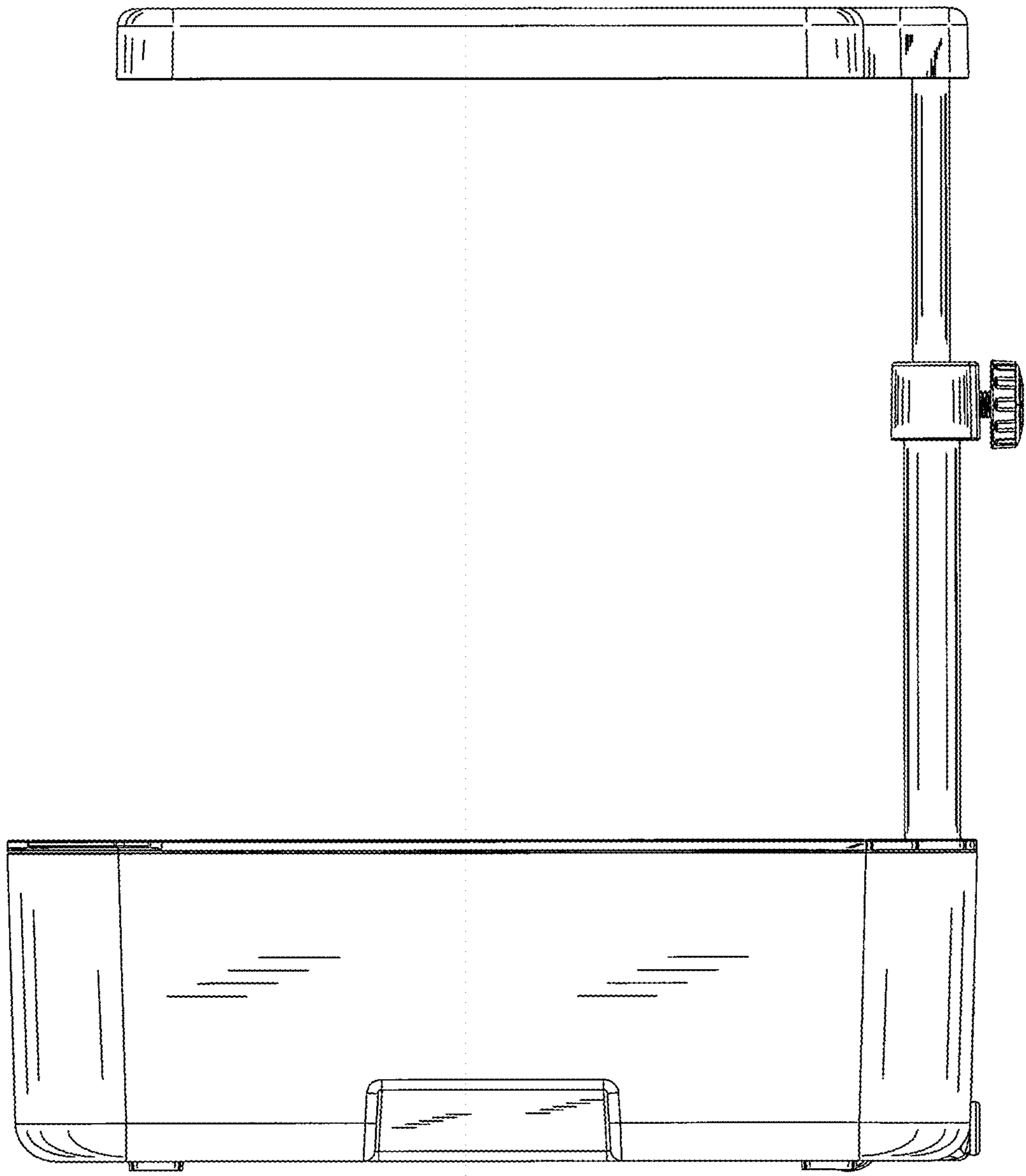


FIG. 4

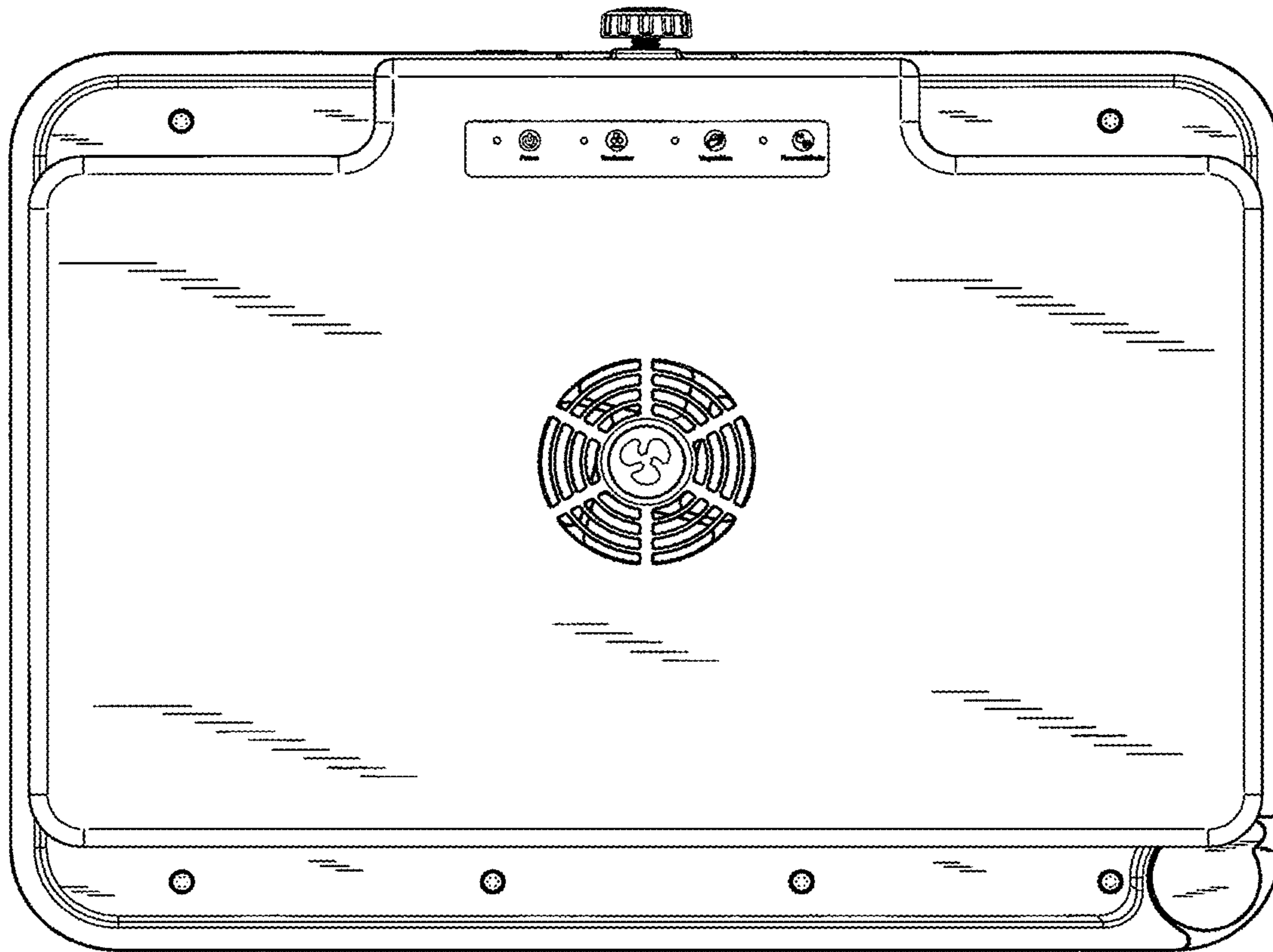


FIG. 5

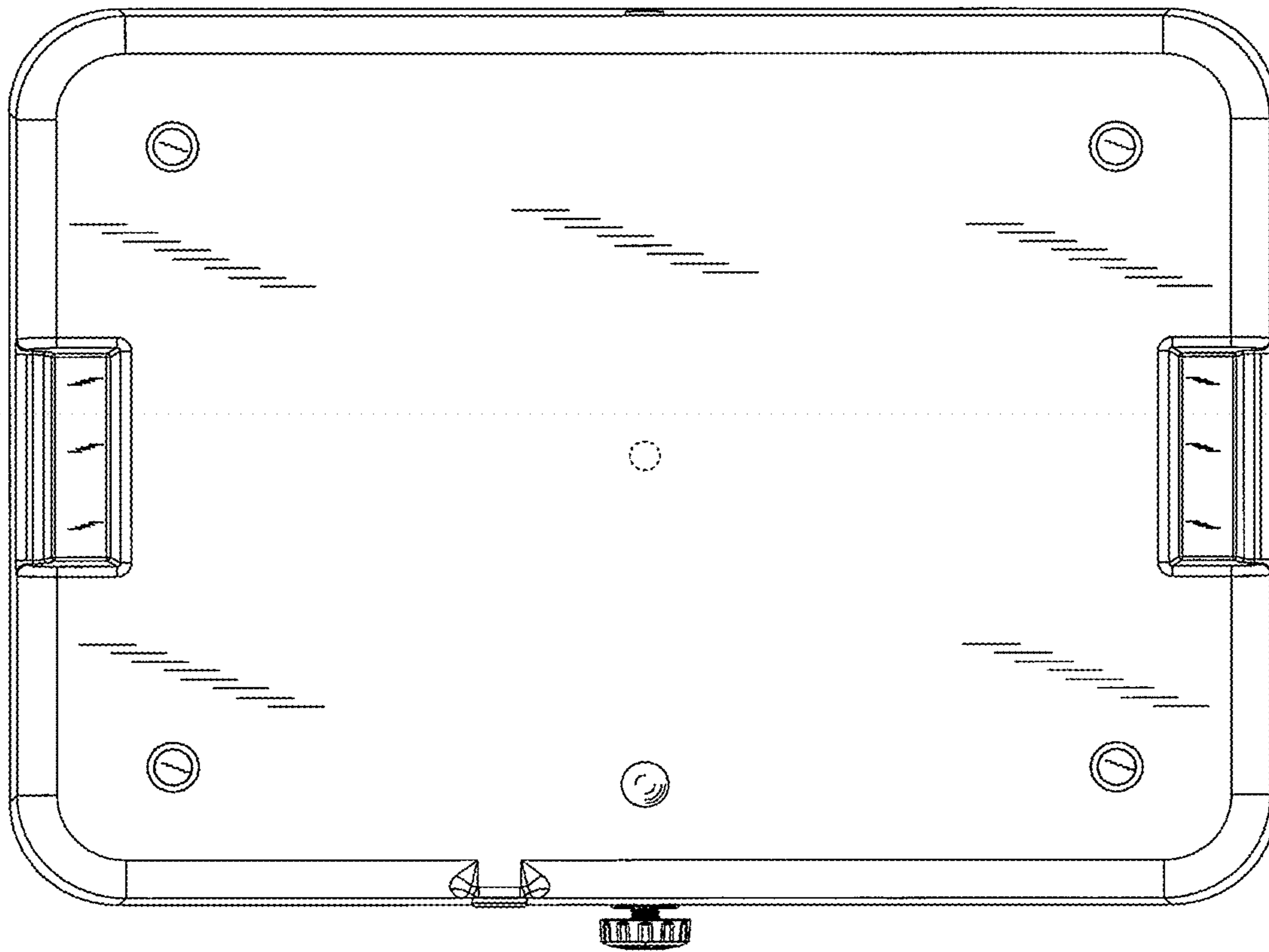


FIG. 6

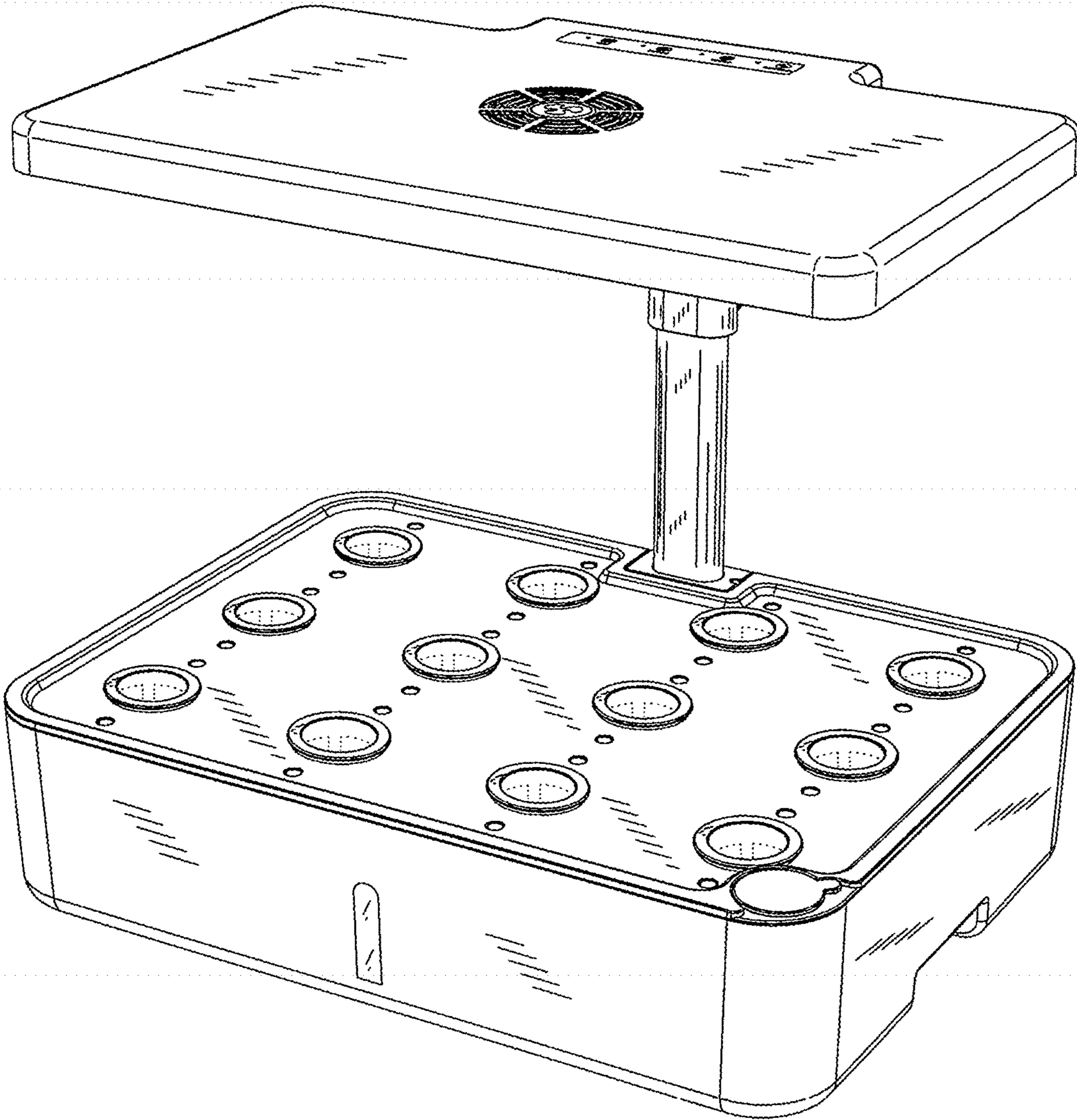


FIG. 7

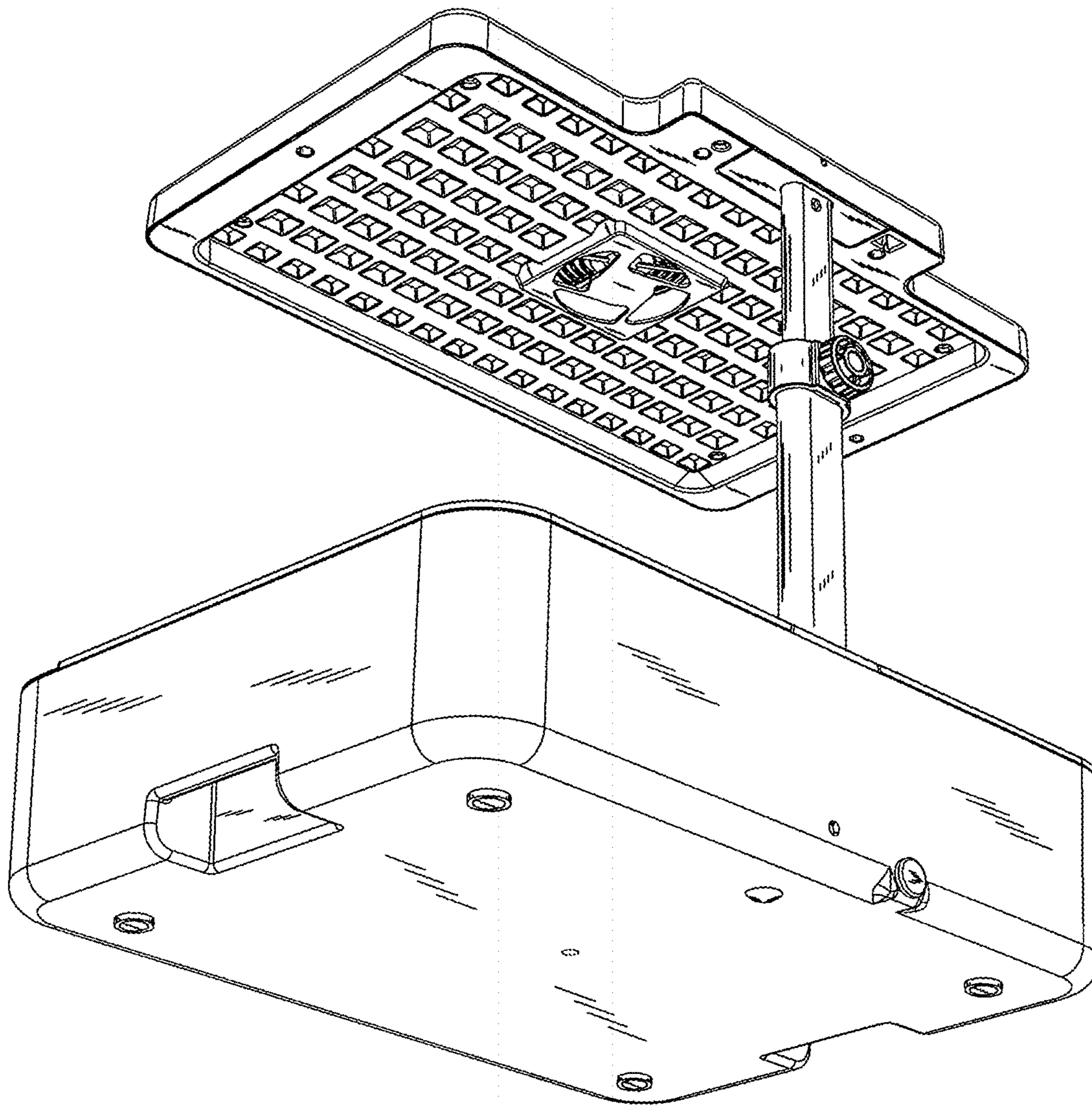


FIG. 8

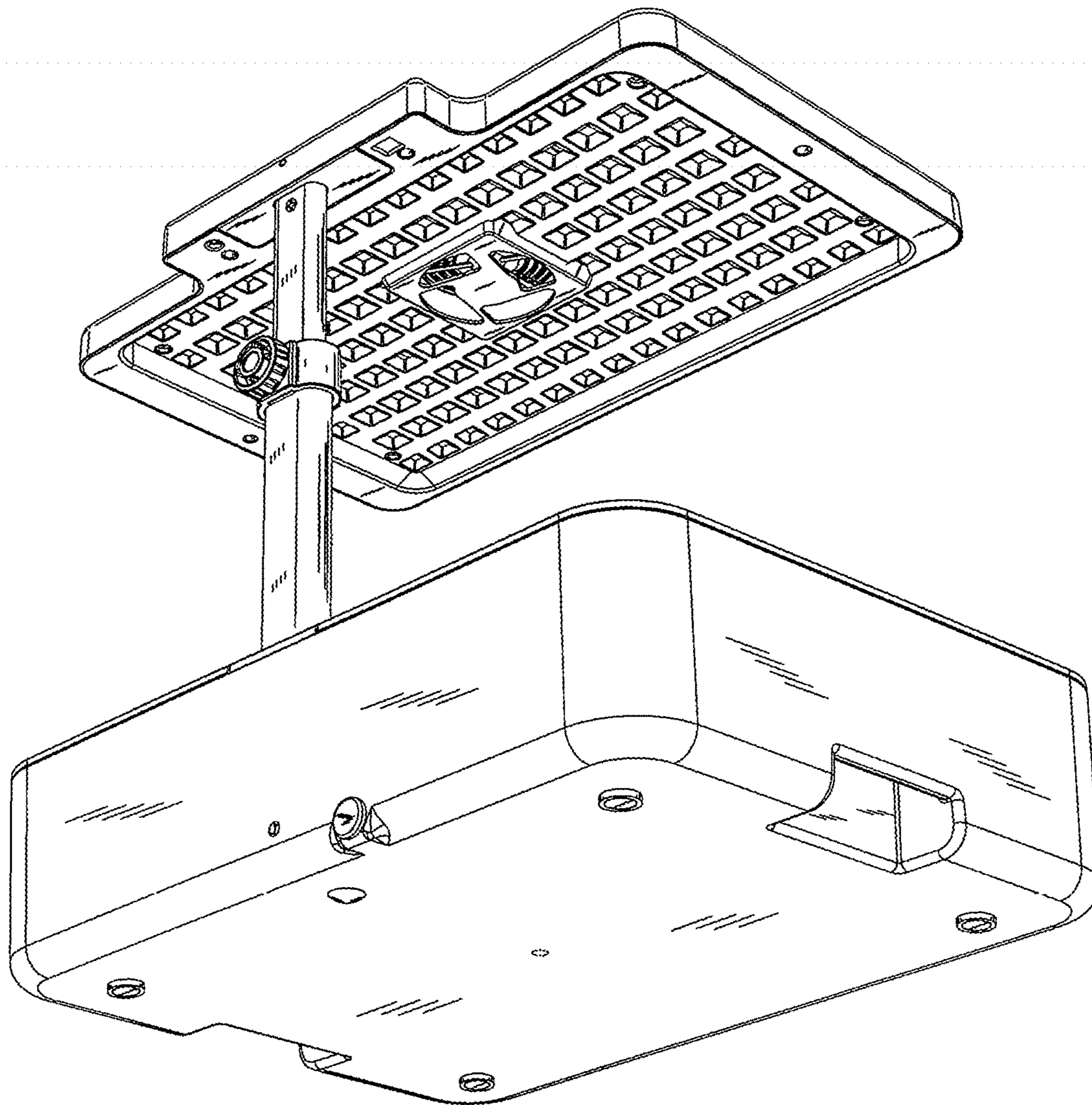


FIG. 9