



US00D951132S

(12) **United States Design Patent** (10) **Patent No.:** **US D951,132 S**
Johnson (45) **Date of Patent:** **** May 10, 2022**

(54) **FLOWERPOT WITH SOIL ANCHOR**
(71) Applicant: **Gerald Johnson**, Gurnee, IL (US)
(72) Inventor: **Gerald Johnson**, Gurnee, IL (US)
(**) Term: **15 Years**
(21) Appl. No.: **29/734,228**
(22) Filed: **May 11, 2020**
(51) **LOC (13) Cl.** **11-02**
(52) **U.S. Cl.**
USPC **D11/152**
(58) **Field of Classification Search**
USPC D11/143–156, 164; D6/403–405,
D6/556–558; D7/584, 587; D8/1
CPC . A01G 9/02; A01G 9/021; A01G 9/04; A01G
27/003; A01G 31/06; A47G 7/00; A47G
7/02; A47G 7/04; A47G 7/08
See application file for complete search history.

(56) **References Cited**
U.S. PATENT DOCUMENTS
D43,852 S * 4/1913 Sanford D7/565
D52,692 S * 11/1918 Beiswanger D7/565
D66,853 S * 3/1925 Heisey D7/562
2,850,079 A * 9/1958 Prushnok A47G 19/10
248/506
4,031,832 A 6/1977 Edwards
D246,750 S * 12/1977 Harshman D7/558
5,326,032 A * 7/1994 Quillin B05B 17/08
239/17
D378,052 S * 2/1997 Perreault D8/387
D384,305 S * 9/1997 Cox D11/143
D393,817 S * 4/1998 Folley D11/152
D434,697 S * 12/2000 Dachtera D11/152
D460,663 S * 7/2002 Seager D7/565
D593,141 S * 5/2009 Gaudron D15/139
D605,933 S * 12/2009 Gaudron D8/385
D607,372 S * 1/2010 Kurtz D11/151

7,713,013 B2 * 5/2010 Sedgwick F16B 23/0092
411/411
7,735,260 B2 * 6/2010 Holliday A01G 9/04
47/67
7,770,324 B2 * 8/2010 Hogan A01G 9/022
47/66.6
D626,791 S * 11/2010 Sierra D7/587
D629,264 S * 12/2010 Curtin D7/665
D631,993 S * 2/2011 Coelho D26/9
D642,900 S * 8/2011 McDuff D8/385
D648,193 S * 11/2011 Wheat D8/8
(Continued)

FOREIGN PATENT DOCUMENTS

CA 1195118 A 10/1985
CN 201976493 U 9/2011
(Continued)

Primary Examiner — Elizabeth A. Albert
(74) *Attorney, Agent, or Firm* — Lesley A. Wallerstein,
LLC

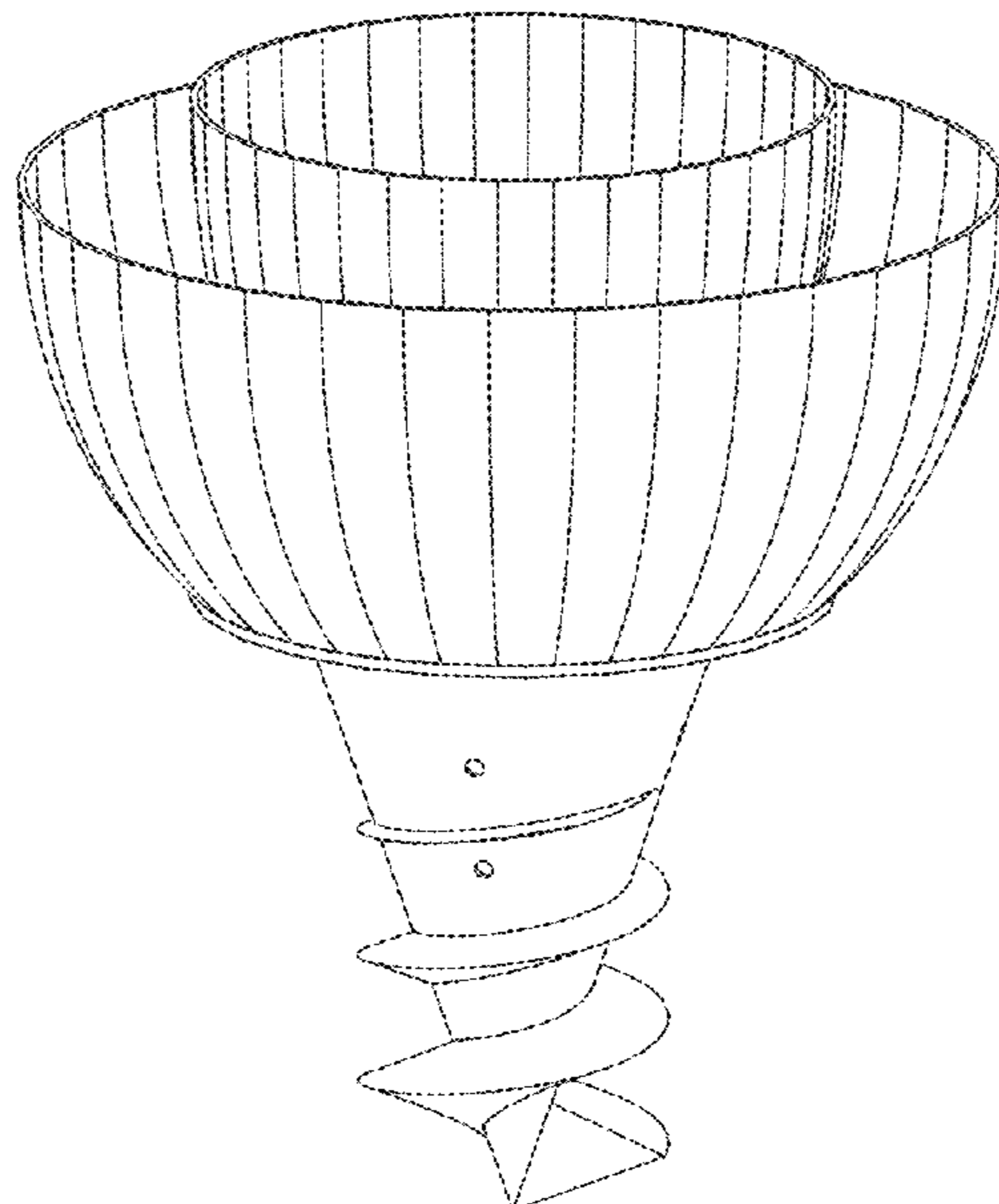
(57) **CLAIM**

The ornamental design for a flowerpot with soil anchor, as shown and described.

DESCRIPTION

FIG. 1 is a front top perspective view of a flowerpot with soil anchor, according to the present invention.
FIG. 2 is a front view thereof.
FIG. 3 is a back view thereof.
FIG. 4 is a left view thereof.
FIG. 5 is a right view thereof.
FIG. 6 is a top view thereof.
FIG. 7 is a bottom view thereof; and,
FIG. 8 is another perspective view thereof.
The broken lines in FIG. 6 are included to show a portion of the flowerpot with soil anchor that forms no part of the claimed design.

1 Claim, 5 Drawing Sheets



(56)

References Cited

U.S. PATENT DOCUMENTS

8,381,684 B2 * 2/2013 Crawford A01K 5/0114
119/61.5
D699,149 S * 2/2014 Wolff D11/153
D738,199 S * 9/2015 Daniels D8/387
D765,544 S * 9/2016 DeYoung D11/152
10,239,086 B2 * 3/2019 Yeiser, IV B05B 17/08
D854,920 S * 7/2019 Fisher D8/387
10,871,180 B2 * 12/2020 McDuff F16B 13/04
2016/0057951 A1 3/2016 Twist

FOREIGN PATENT DOCUMENTS

CN 106688739 A 5/2017
CN 206728674 U 12/2017
CN 109328739 A 2/2019
EP 2733264 A1 5/2014
FR 1510269 A 1/1968
FR 2824701 5/2003
JP 2006061042 A 3/2006
JP 2006254865 A 9/2006
JP 2004254604 B 10/2007
KR 20130677207 1/2013
KR 20140068414 A 6/2014
KR 20140116351 A 10/2014
KR 20170004197 U 12/2017
WO 2004074214 A3 11/2004

* cited by examiner

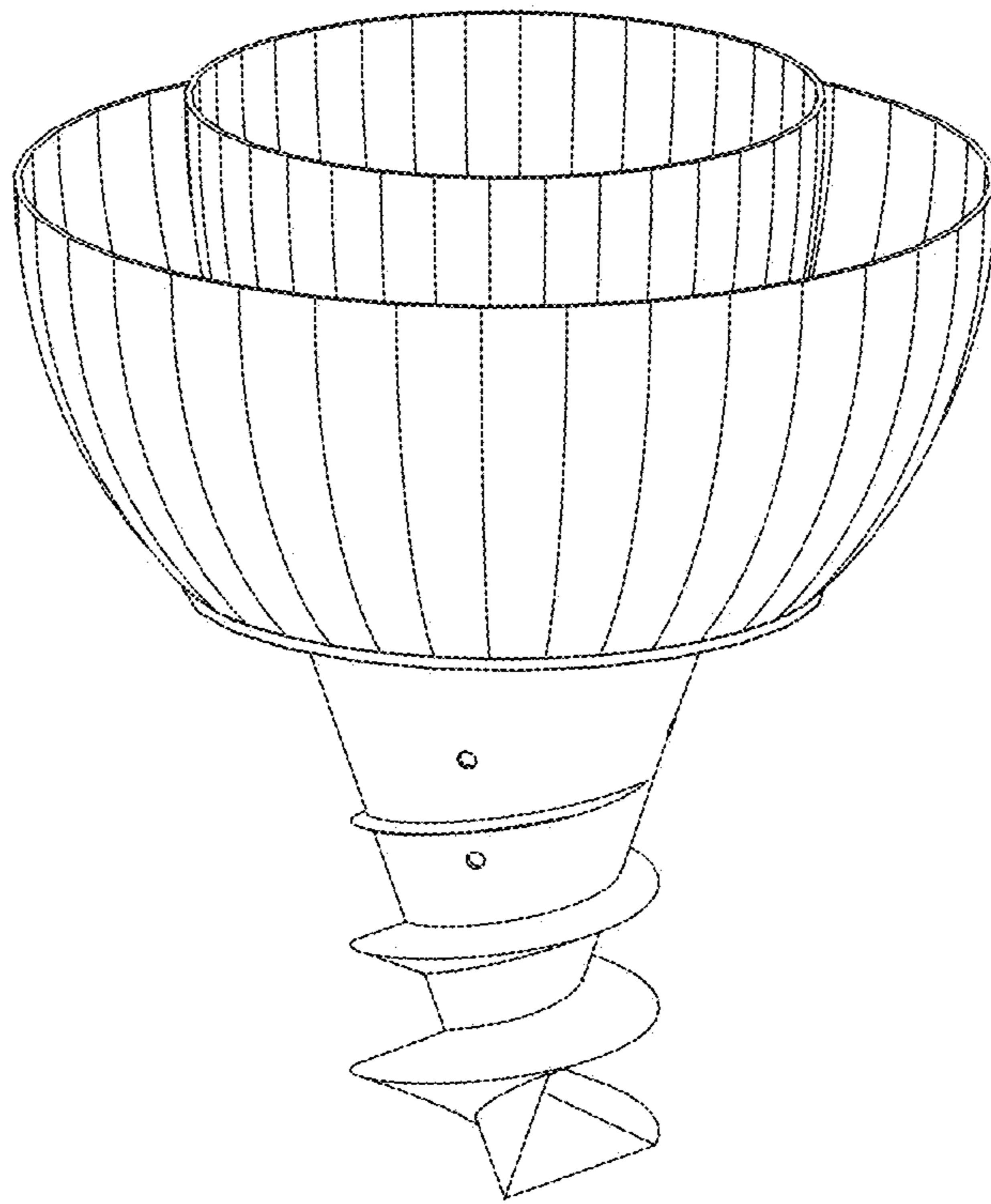


FIG. 1

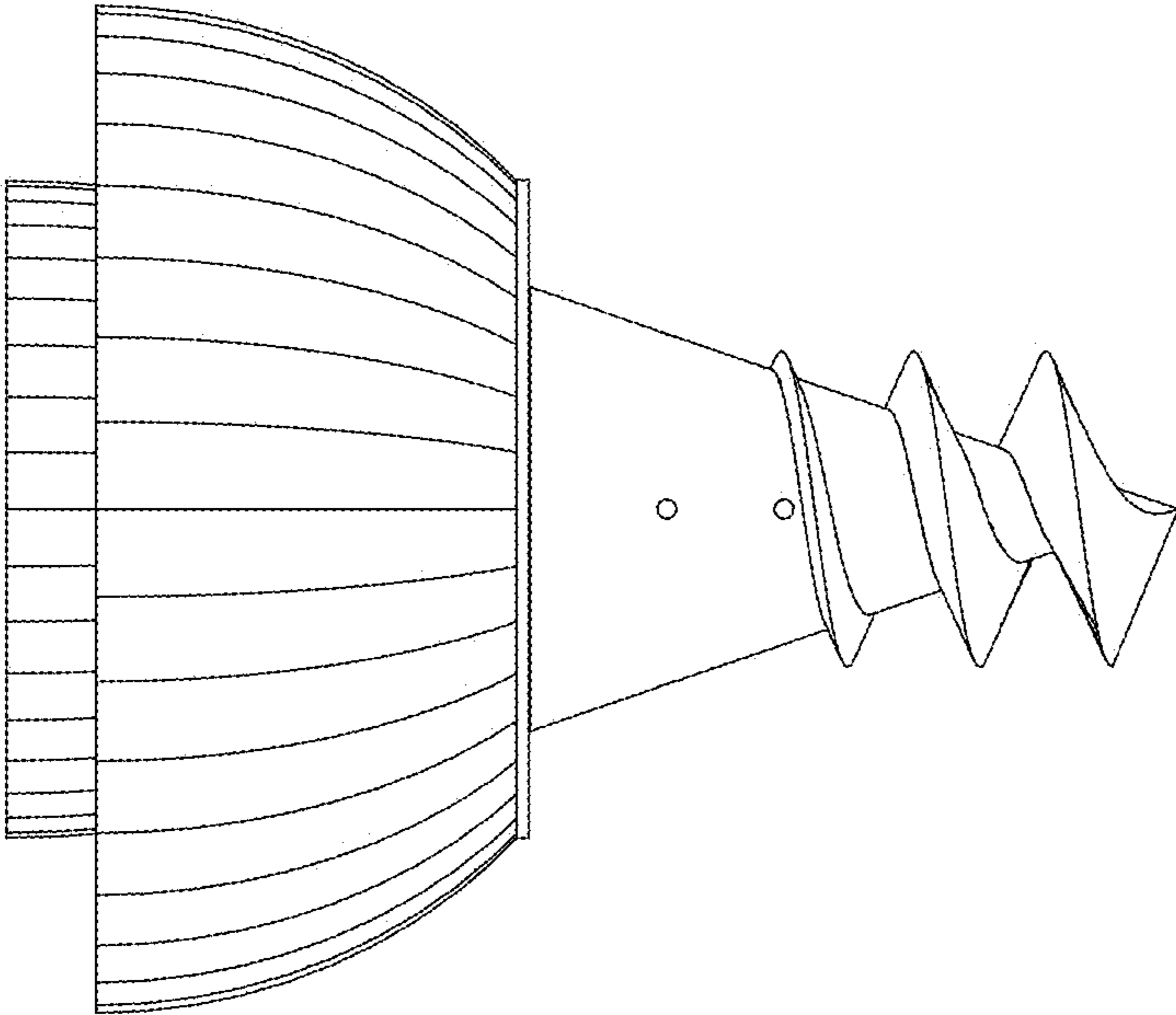


FIG. 2

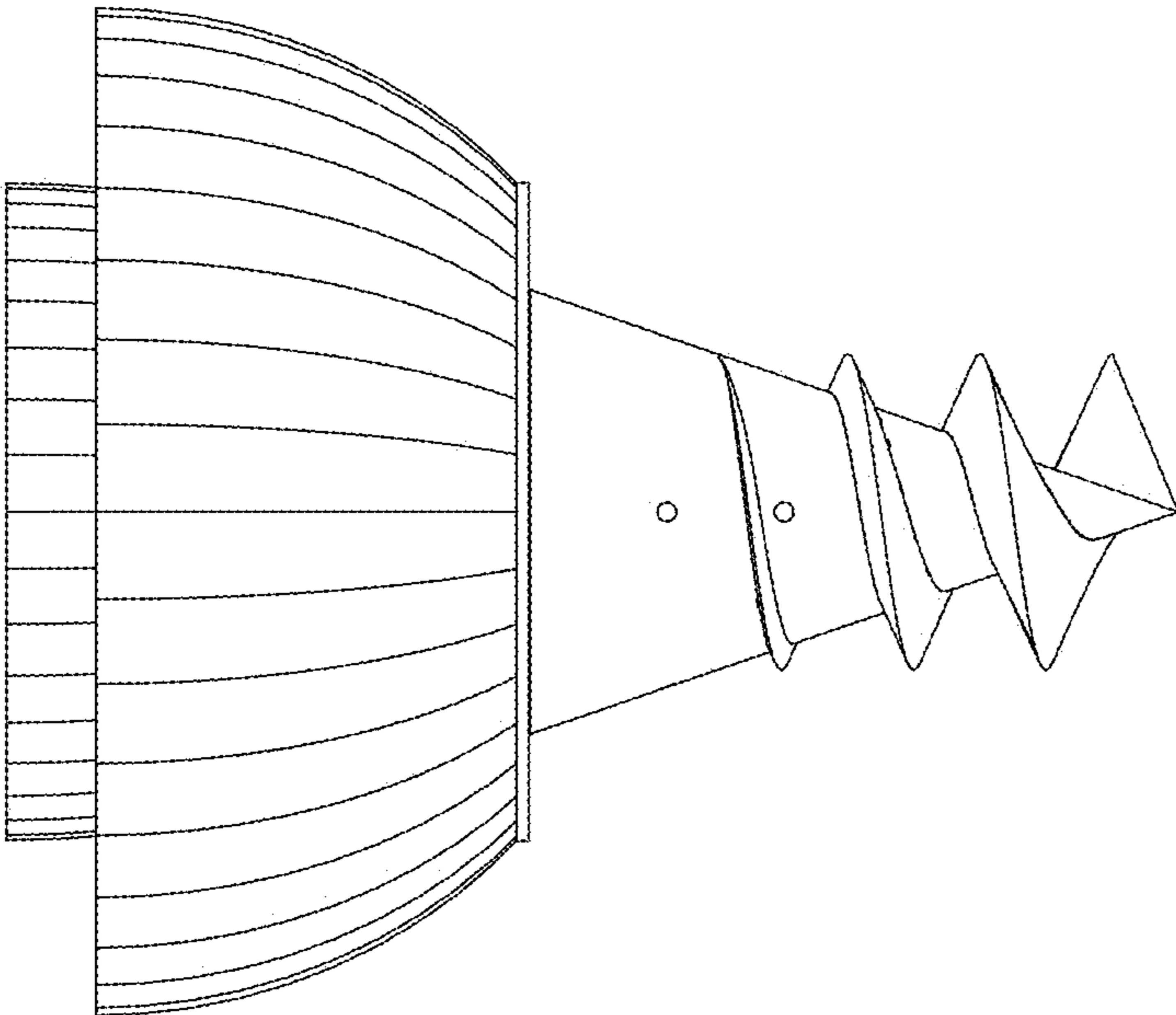


FIG. 3

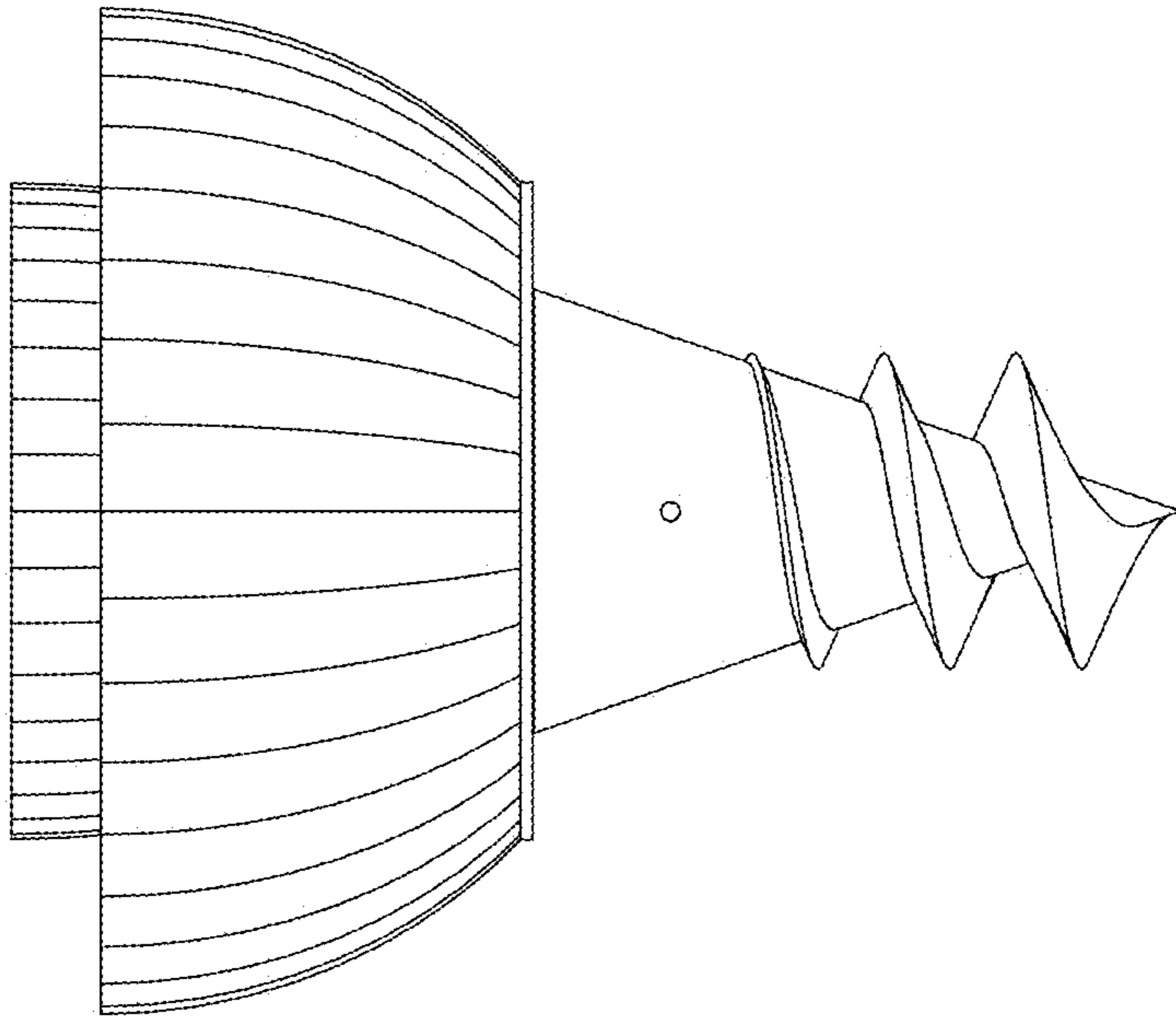


FIG. 5

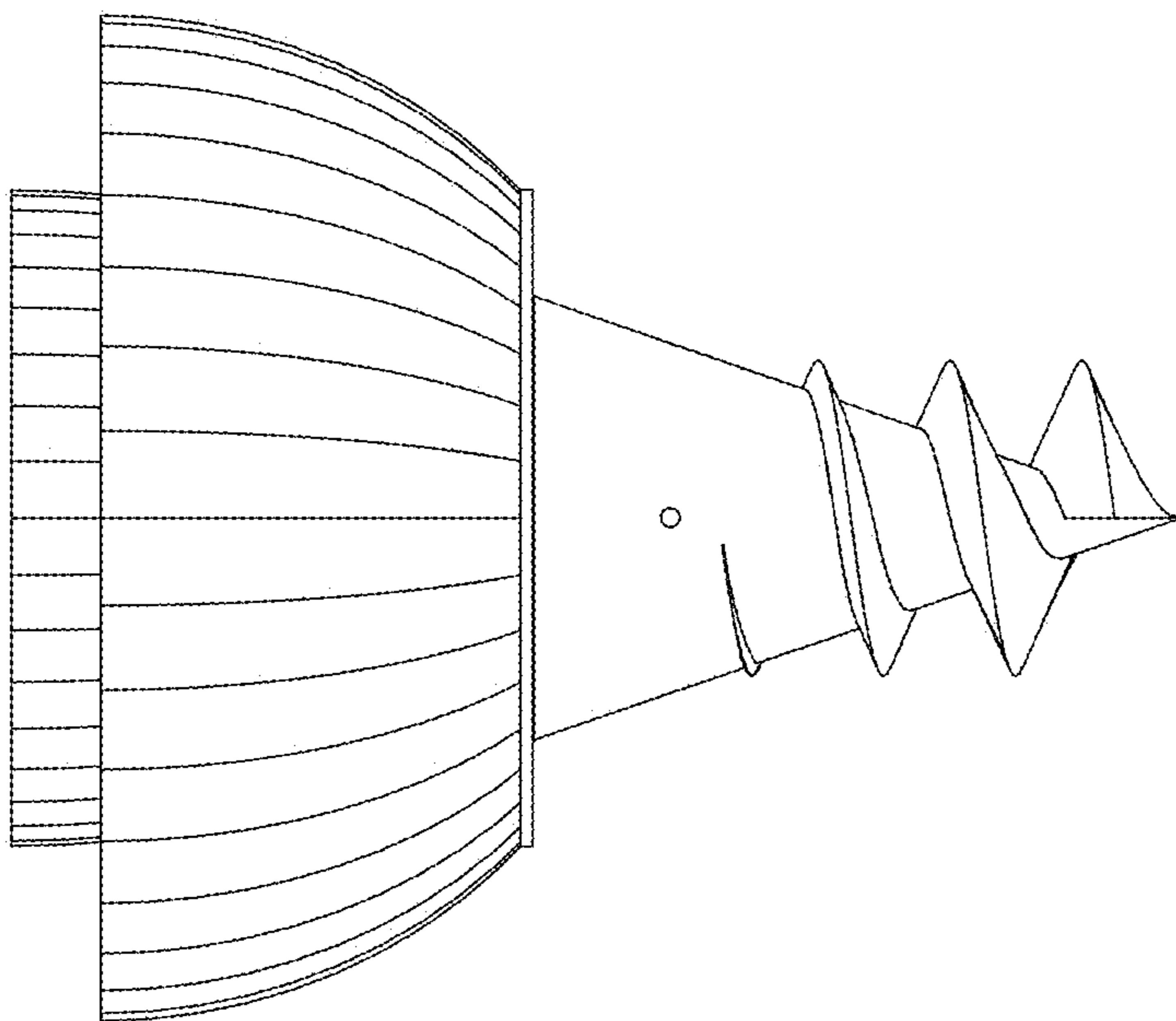


FIG. 4

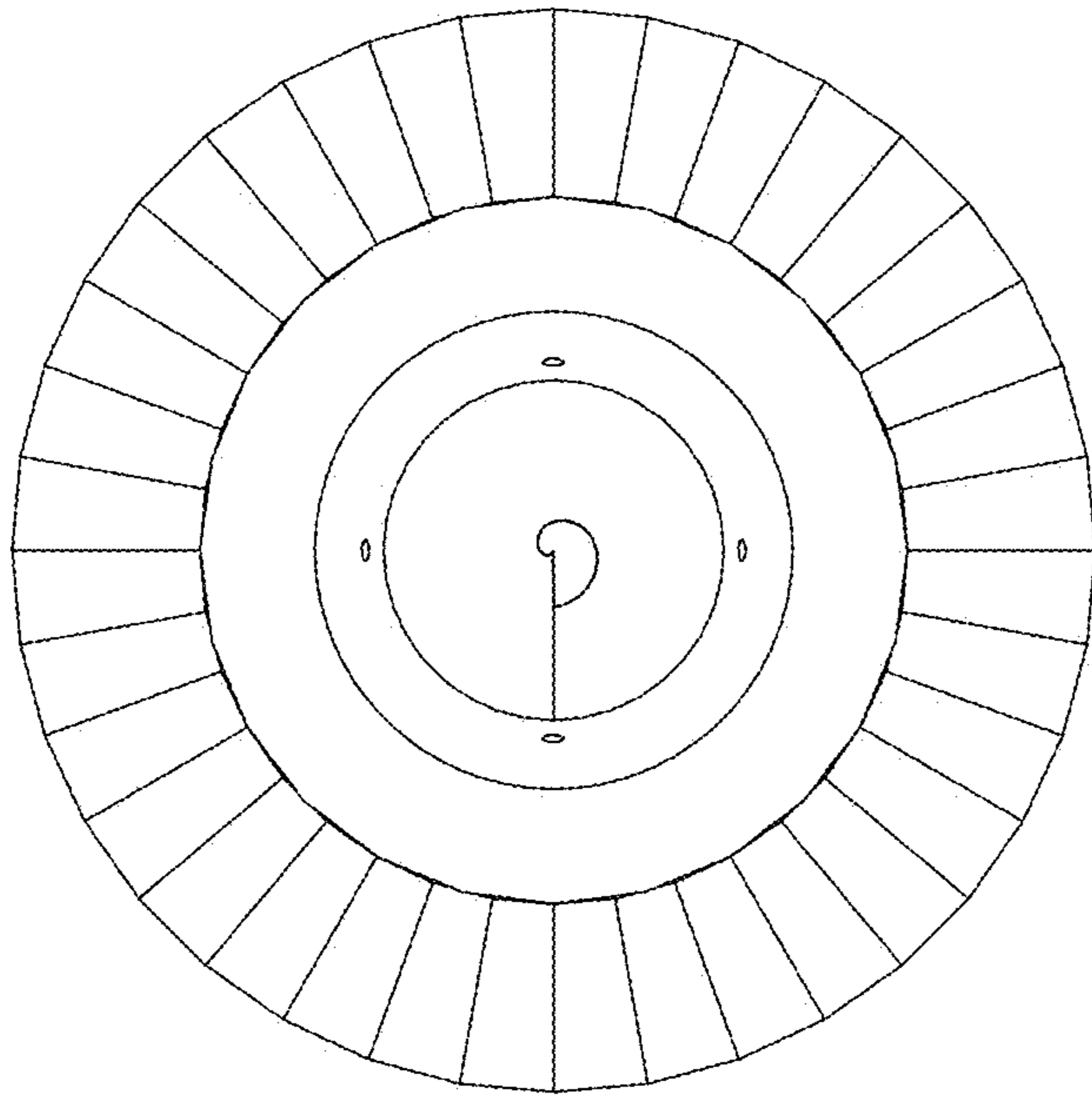


FIG. 7

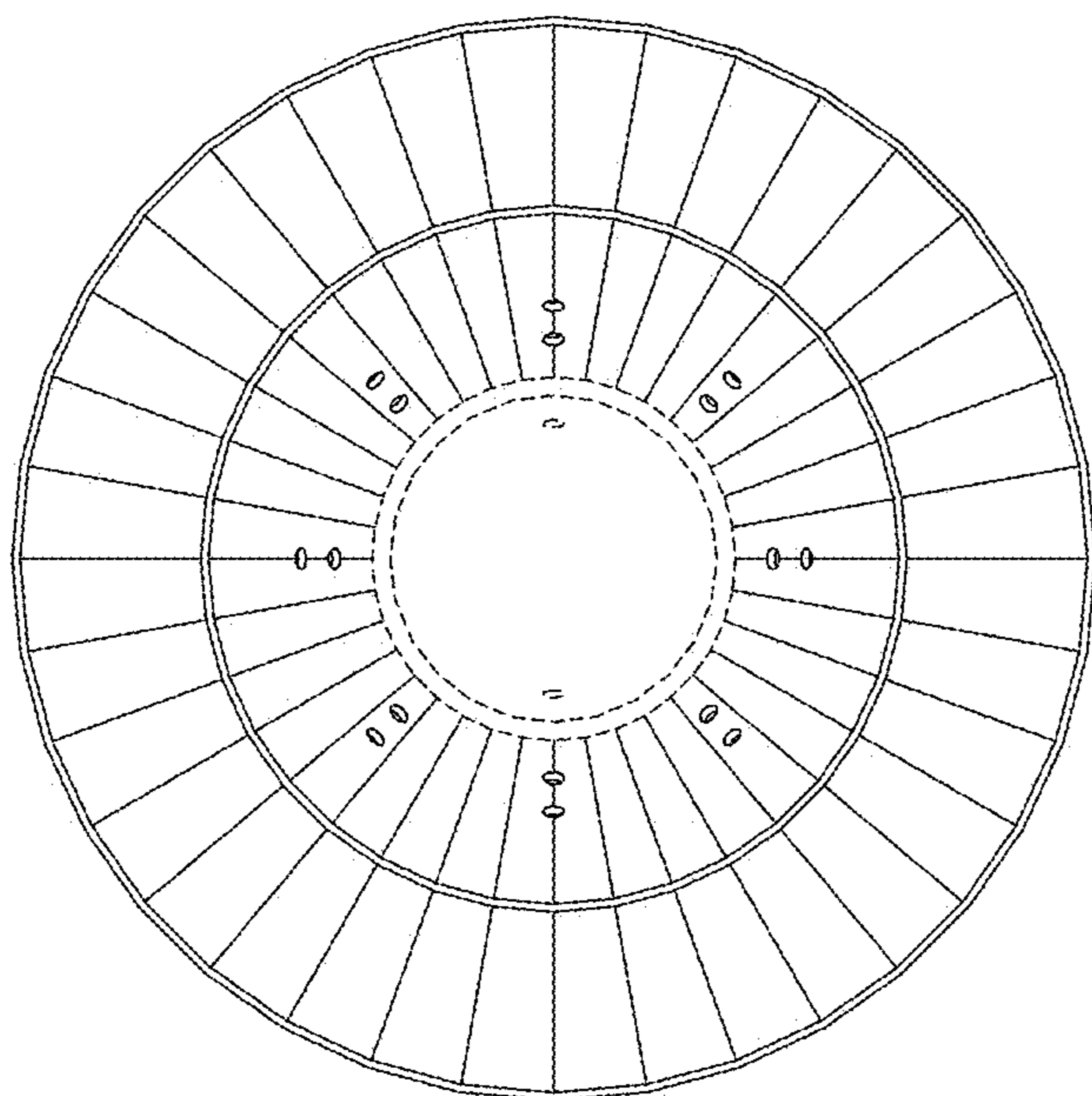


FIG. 6

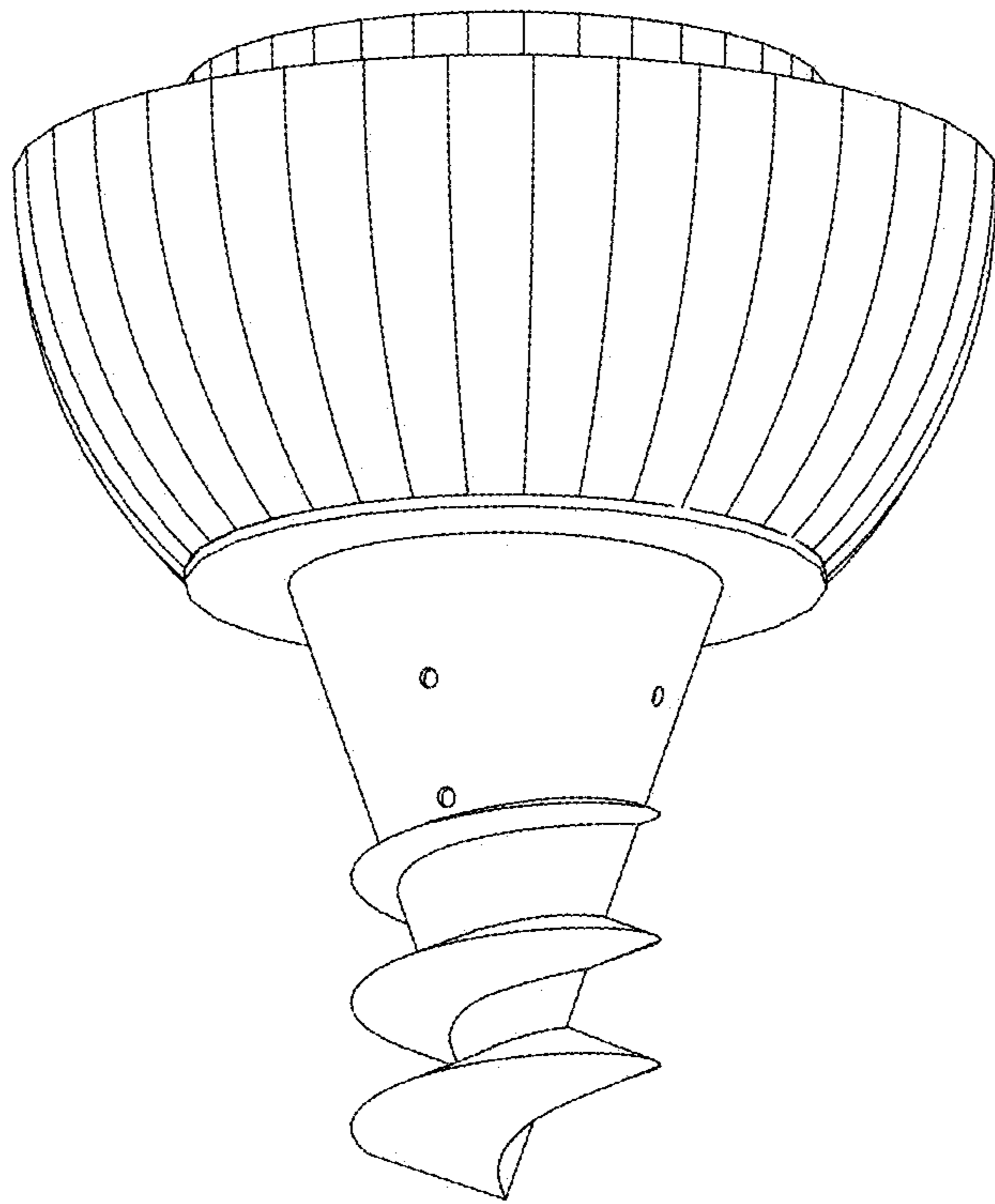


FIG. 8