



US00D951131S

(12) **United States Design Patent** (10) **Patent No.:** **US D951,131 S**
Qu (45) **Date of Patent:** **** May 10, 2022**

(54) **HYDROPONIC PLANTER**
(71) Applicant: **SHENZHEN IGS ELECTRONICS CO., LTD.**, Shenzhen (CN)
(72) Inventor: **Zhaoshu Qu**, Shenzhen (CN)
(73) Assignee: **SHENZHEN IGS ELECTRONICS CO., LTD.**, Shenzhen (CN)

D888,603 S * 6/2020 Tong D11/144
D889,024 S * 6/2020 Deng
D890,408 S * 7/2020 Deng
10,757,875 B2 * 9/2020 Loiske A01G 31/02
D924,724 S * 7/2021 Li D11/155
D932,346 S * 10/2021 Song D11/156
2005/0246954 A1 * 11/2005 Bissonnette A01C 1/02
47/62 A
2005/0257424 A1 * 11/2005 Bissonnette A01C 1/02
47/60

(**) Term: **15 Years**

(Continued)

(21) Appl. No.: **29/784,744**

(22) Filed: **May 21, 2021**

(51) **LOC (13) Cl.** **11-02**

(52) **U.S. Cl.**
USPC **D11/144**

(58) **Field of Classification Search**
USPC D11/143–156, 164; D6/403–405, D6/556–558
CPC . A01G 9/02; A01G 9/021; A01G 9/04; A01G 27/003; A01G 31/06
See application file for complete search history.

OTHER PUBLICATIONS

Yoocaa Hydroponics Growing System, 299 ratings, ASIN: B08T9BT2N6, online on Amazon.com, Earliest Date Question Answered: Apr. 2, 2021.*

(Continued)

Primary Examiner — Elizabeth A. Albert

(57) **CLAIM**

The ornamental design for a hydroponic planter, as shown and described.

DESCRIPTION

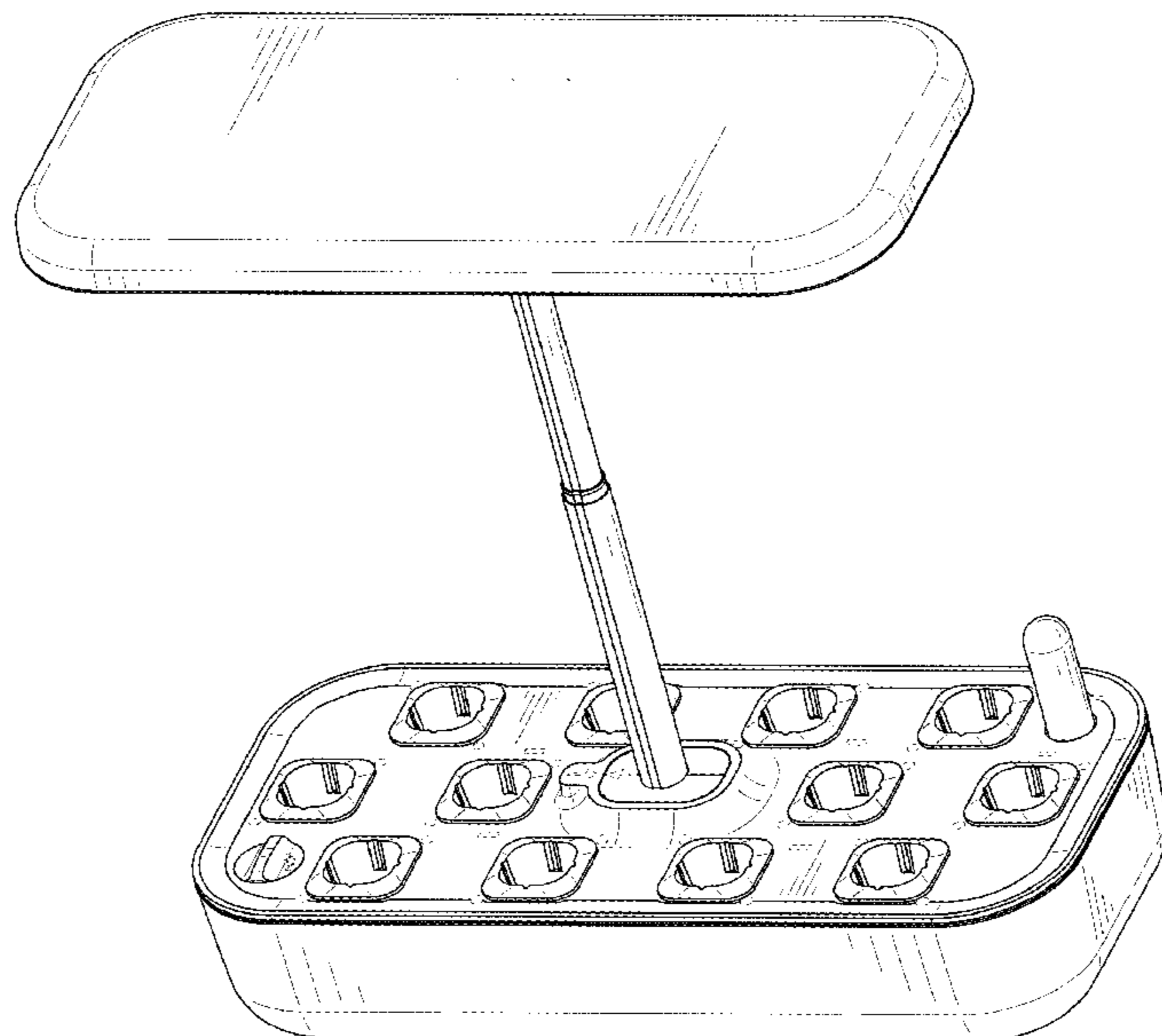
(56) **References Cited**

U.S. PATENT DOCUMENTS

D586,688 S * 2/2009 Bromley D11/144
D604,196 S * 11/2009 Bissonnette D11/144
D604,197 S * 11/2009 Bissonnette D11/144
D634,669 S * 3/2011 Brandstatter D11/152
8,261,486 B2 * 9/2012 Bissonnette A01G 27/003
47/79
D713,284 S * 9/2014 Prinster A01G 31/02
D11/143
D729,115 S * 5/2015 Prinster D11/144
D760,118 S * 6/2016 Lepp D11/142
D792,808 S * 7/2017 Verneuil D11/144
D846,802 S * 4/2019 Nicoline D28/9
D864,016 S * 10/2019 Woltz D11/143
D888,602 S * 6/2020 Kadosh D11/144

FIG. 1 is a perspective view of a hydroponic planter showing my new design;
FIG. 2 is another perspective view thereof;
FIG. 3 is a front elevational view thereof;
FIG. 4 is a rear elevational view thereof;
FIG. 5 is a left side elevational view thereof;
FIG. 6 is a right side elevational view thereof;
FIG. 7 is a top plan view thereof;
FIG. 8 is a bottom plan view thereof; and,
FIG. 9 is still another perspective view with the light lowered.
The broken lines in the drawings depict portions of the hydroponic planter that form no part of the claimed design.

1 Claim, 9 Drawing Sheets



(56)

References Cited

U.S. PATENT DOCUMENTS

2006/0272210 A1* 12/2006 Bissonnette A01G 31/02
47/69
2008/0276534 A1* 11/2008 Bissonnette A01G 27/003
47/62 R
2008/0282610 A1* 11/2008 Bissonnette A01G 31/02
47/79
2019/0200541 A1* 7/2019 Park A01G 9/247
2020/0053969 A1* 2/2020 Gehin A01G 9/029
2020/0344965 A1* 11/2020 Song A01G 7/00
2021/0068358 A1* 3/2021 Im A01G 9/0297

OTHER PUBLICATIONS

Hydroponics Growing System, Brand: K Korkuan, ASIN:
B0921VX5SK, online on Amazon.com: Date First Available: Apr.
8, 2021.*

Hydroponics Growing System, Brand Trecaan, 377 ratings, ASIN:
B08SCC2N5W, online on Amazon.com, Date First Available: Mar.
9, 2021.*

* cited by examiner

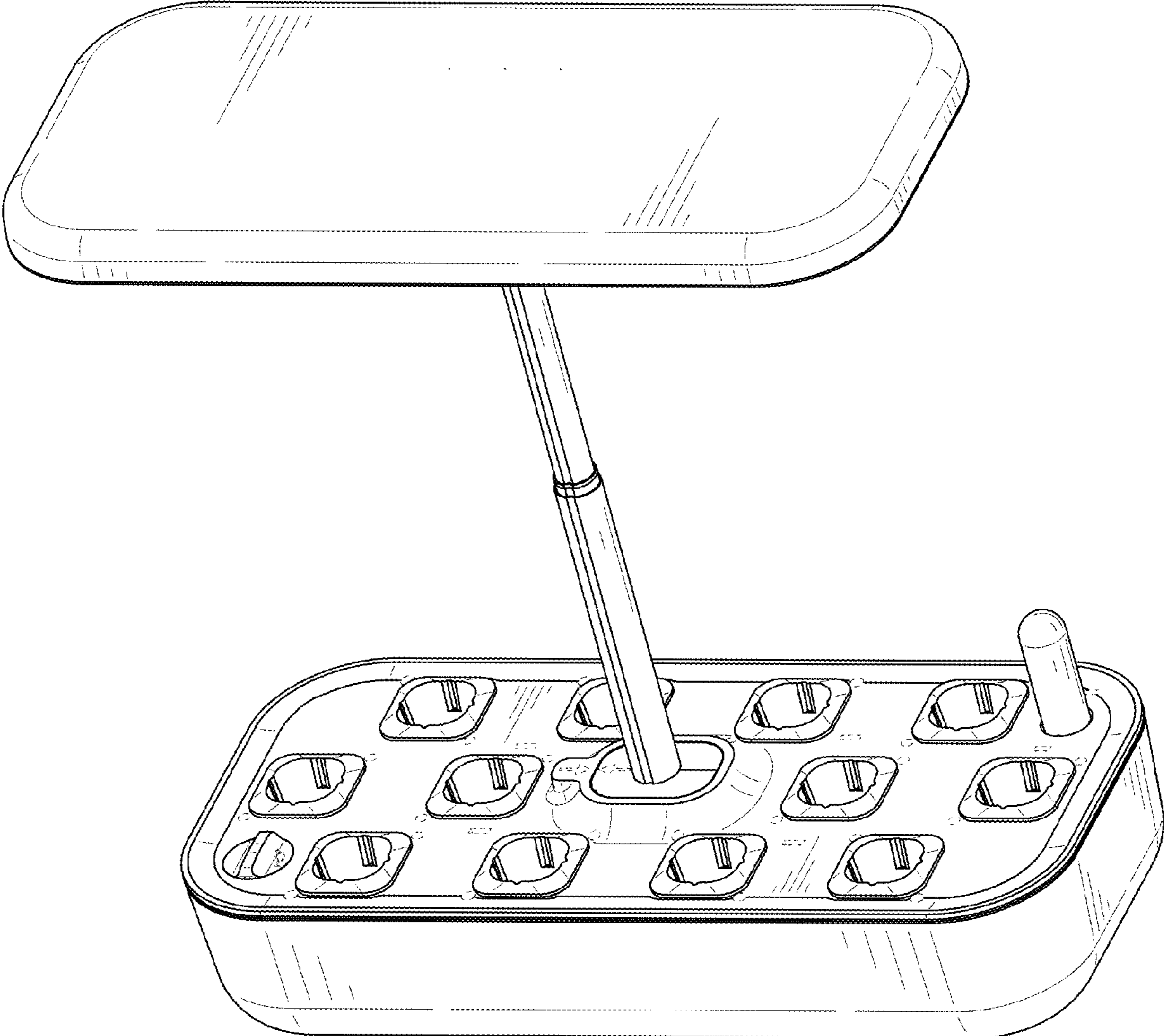


FIG. 1

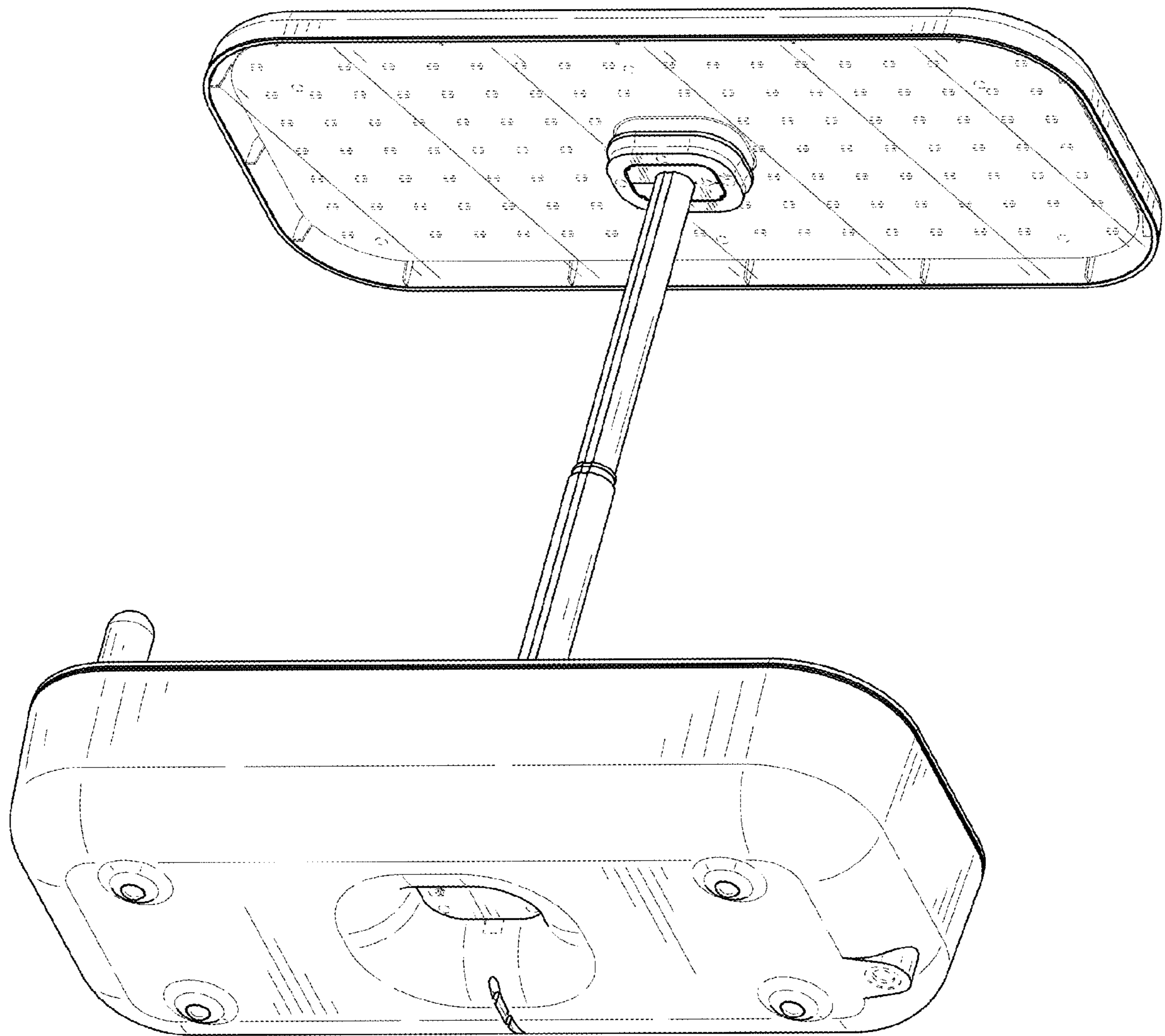


FIG. 2

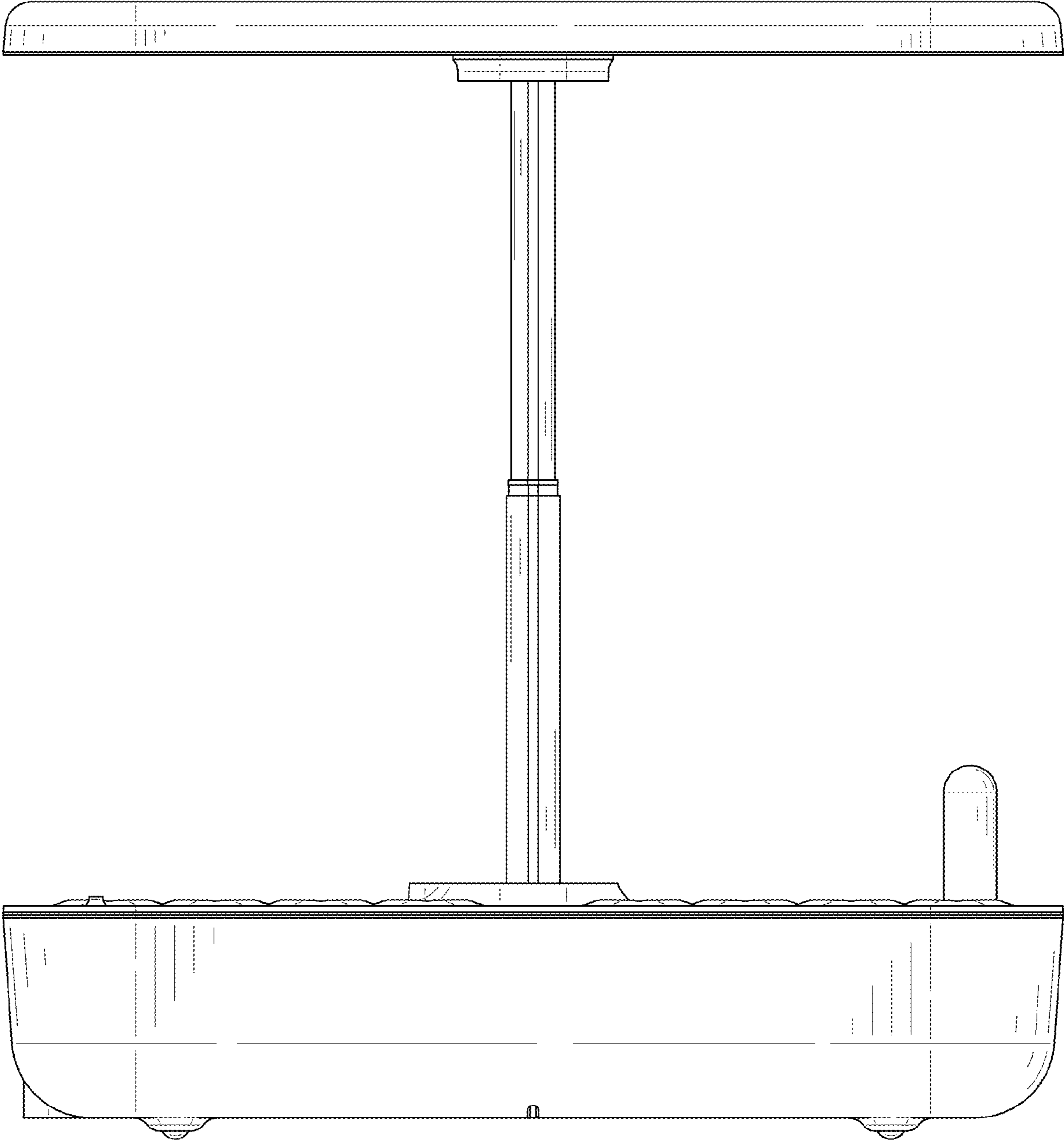


FIG. 3

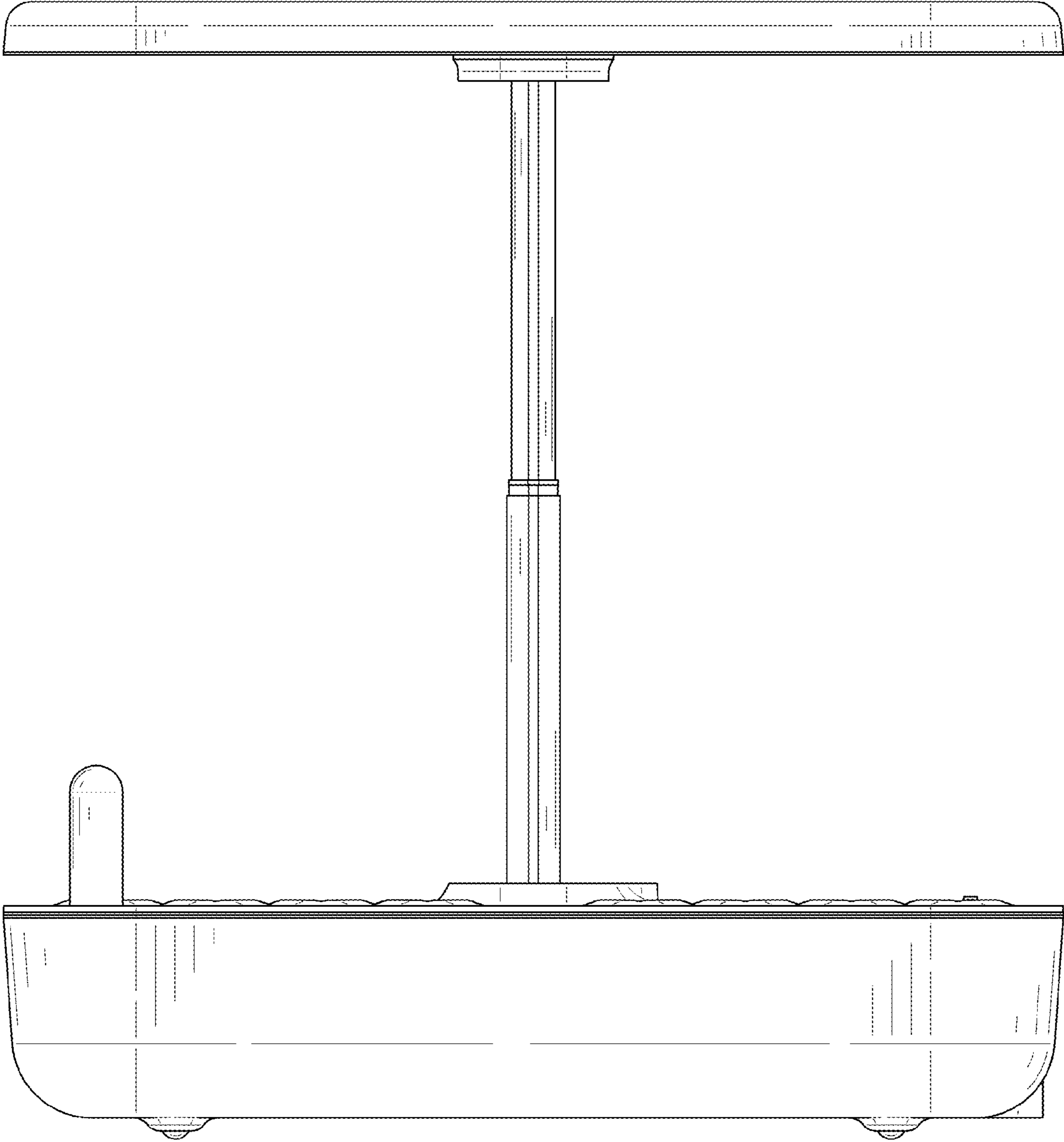


FIG. 4

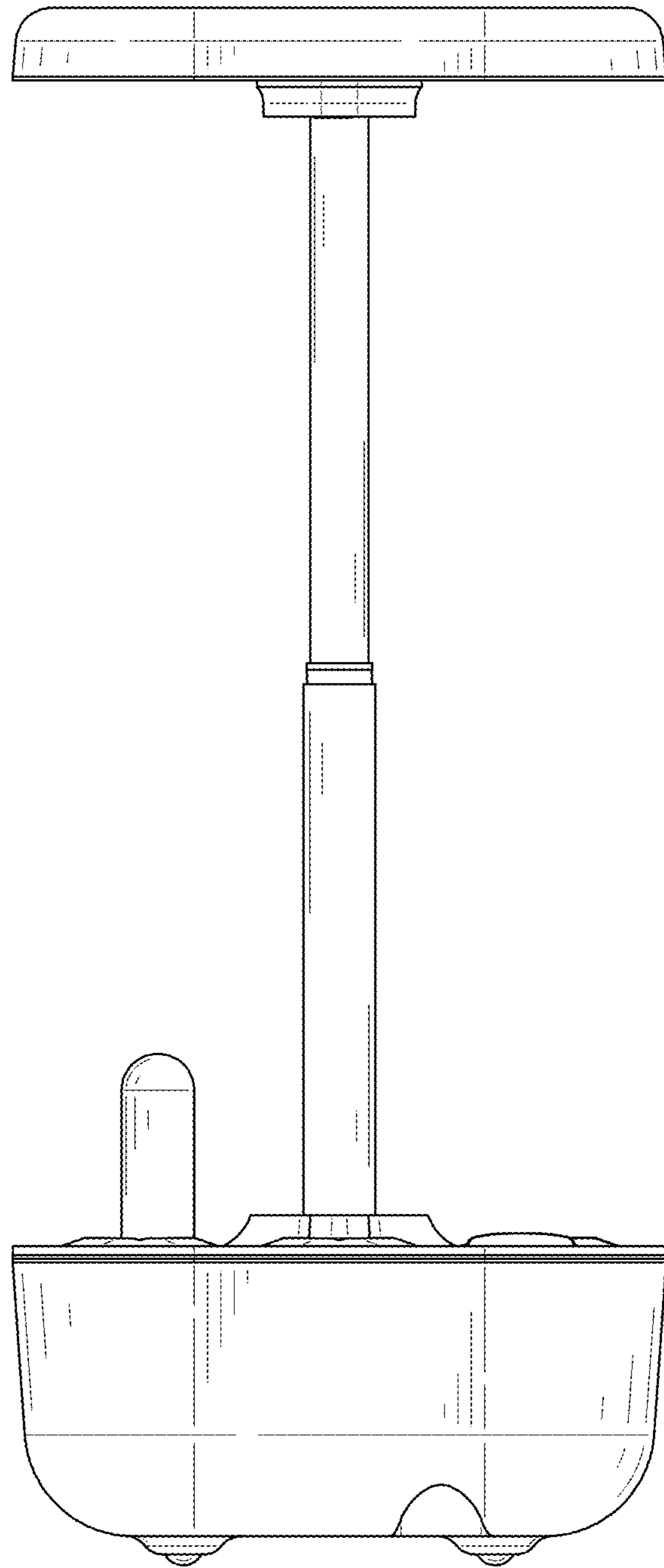


FIG. 5

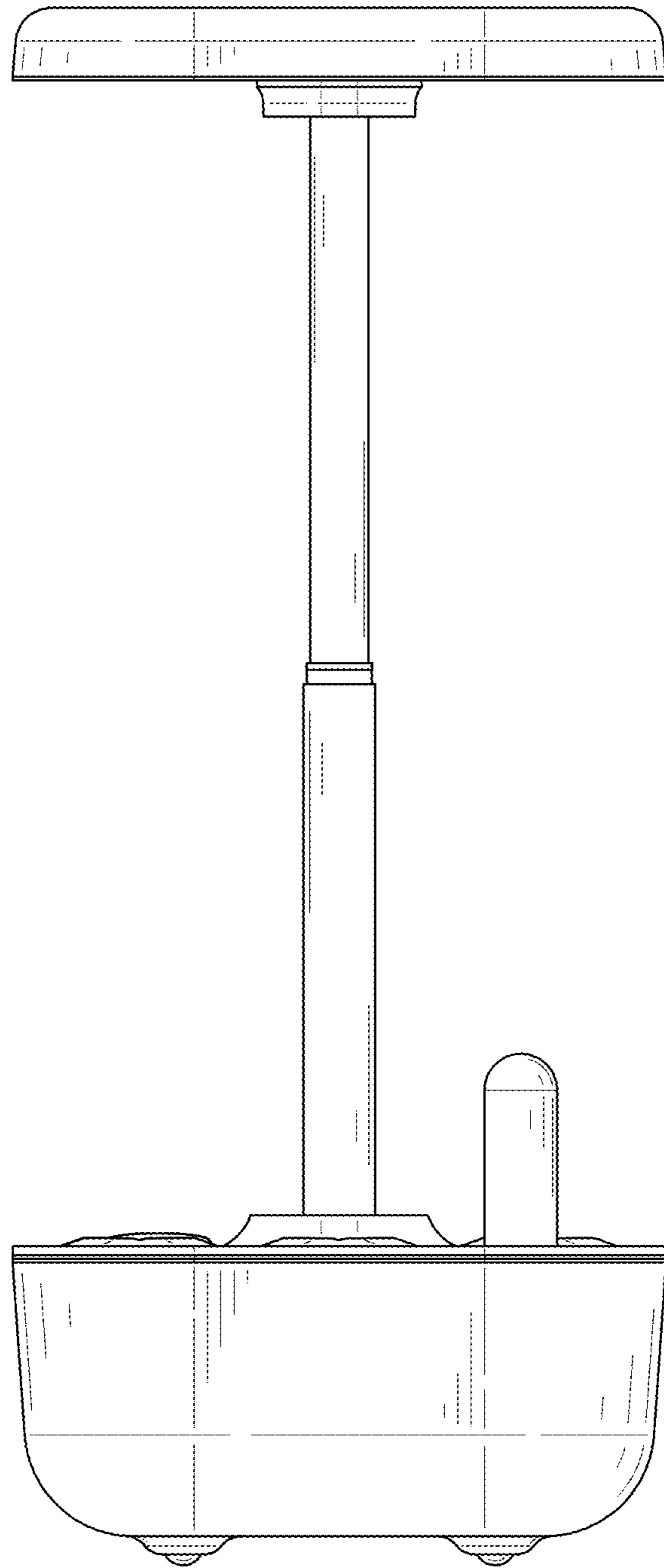


FIG. 6

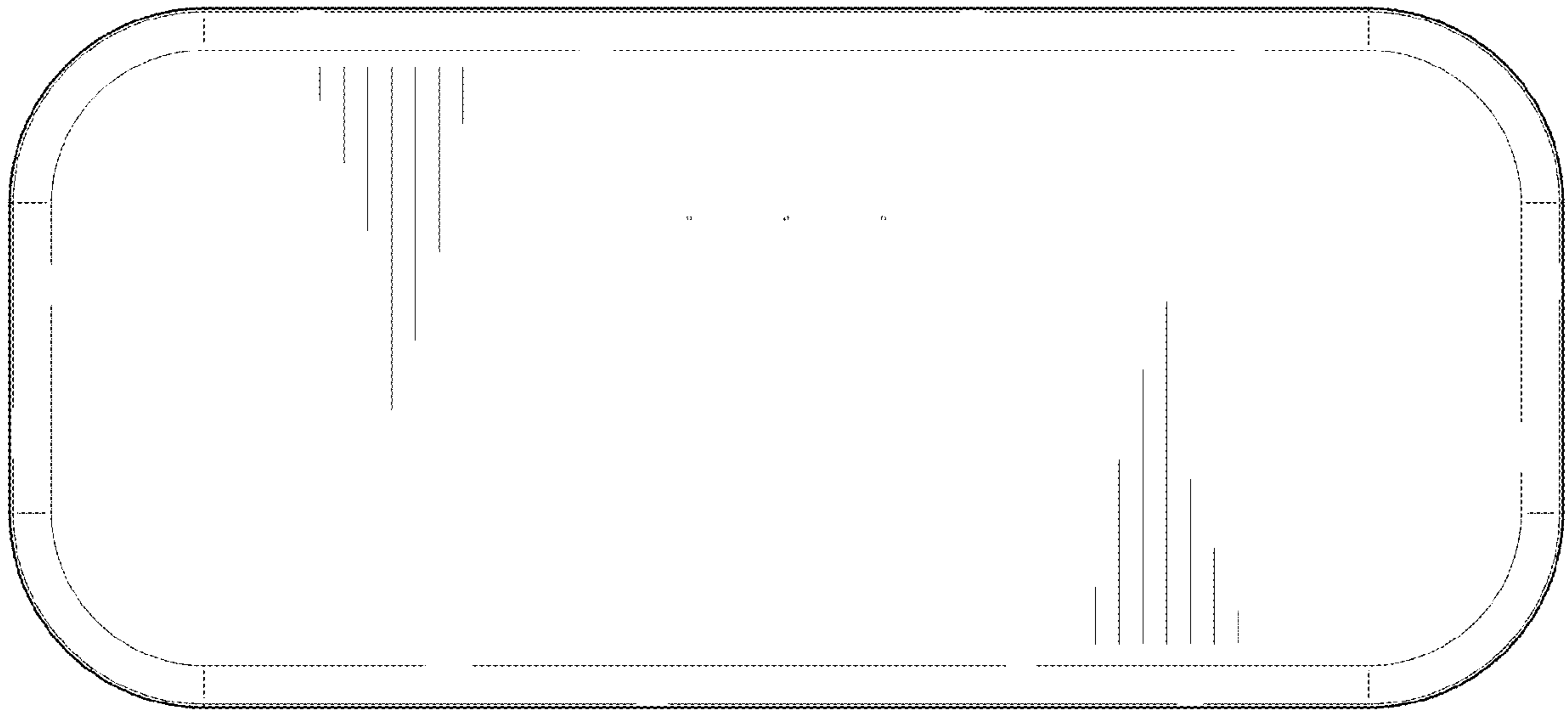


FIG. 7

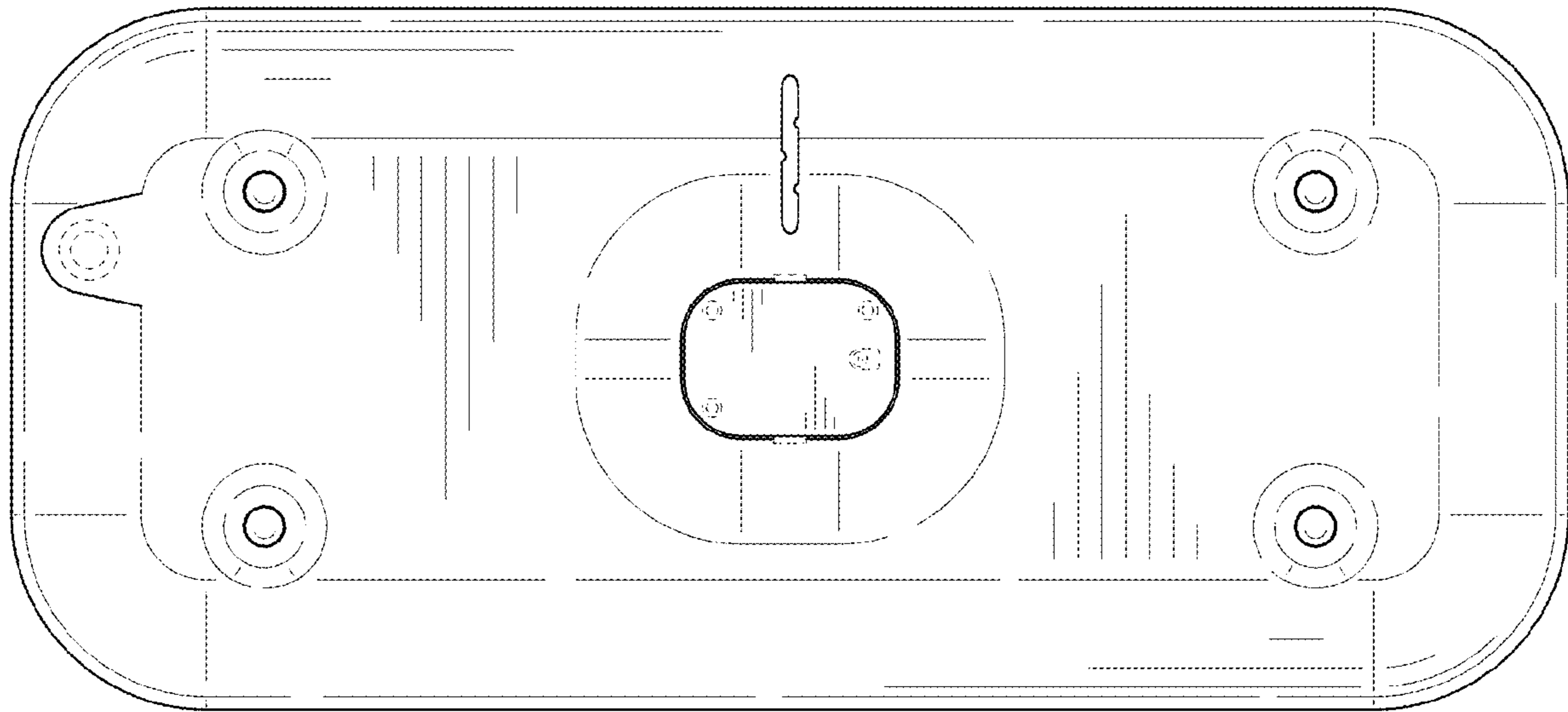


FIG. 8

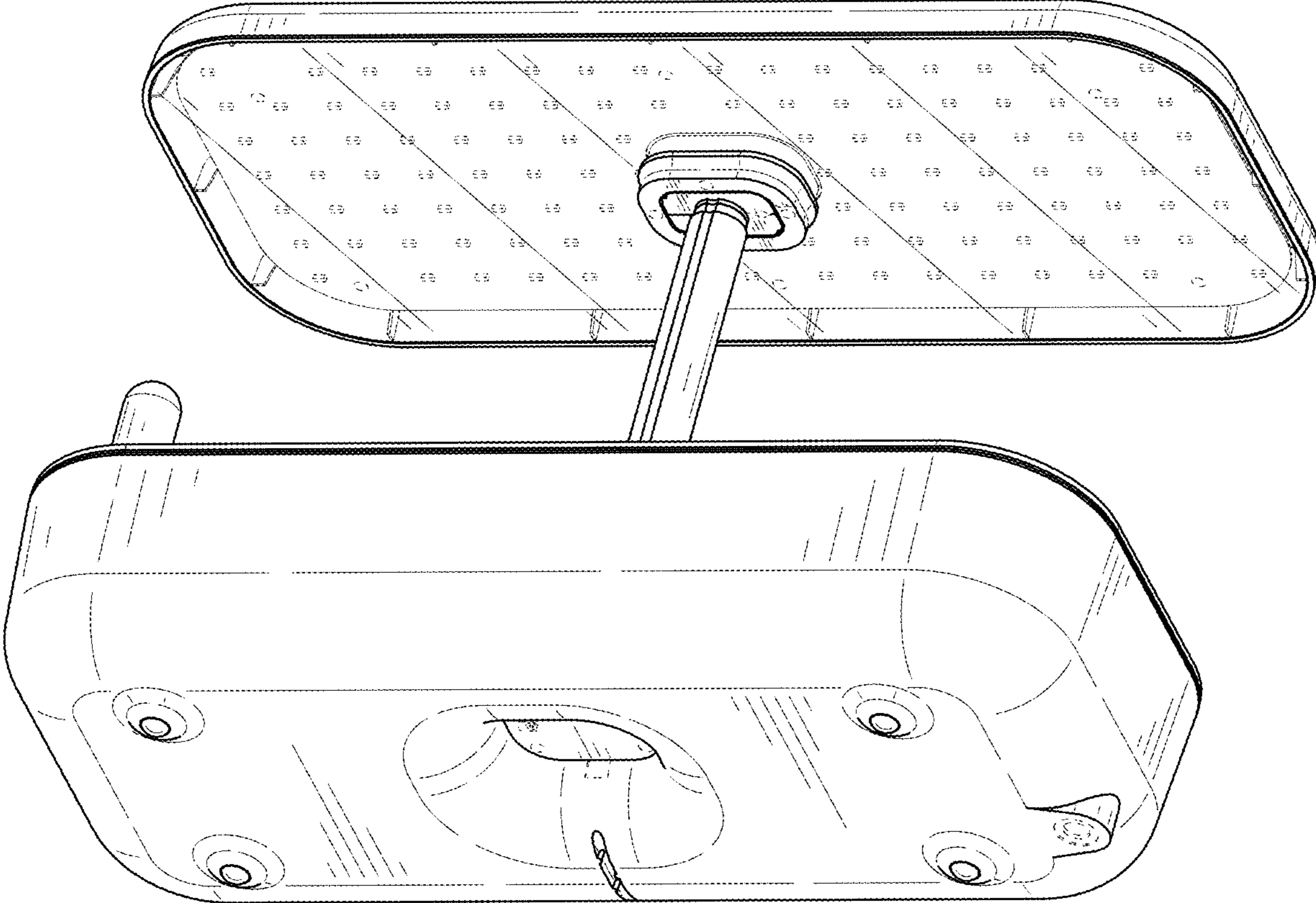


FIG. 9