



US00D951129S

(12) **United States Design Patent** (10) **Patent No.:** **US D951,129 S**  
**Tashjian** (45) **Date of Patent:** **\*\* May 10, 2022**

(54) **LOBSTER CLASP**  
(71) Applicant: **Venus by Maria Tash, Inc.**, New York, NY (US)  
(72) Inventor: **Maria Tashjian**, New York, NY (US)  
(73) Assignee: **Venus by Maria Tash, Inc.**, New York, NY (US)

8,511,114 B2 8/2013 Urban et al.  
8,533,918 B1 9/2013 Ketter et al.  
9,293,068 B1 3/2016 Hibbert  
D806,393 S \* 1/2018 Morris ..... D3/318  
D906,855 S \* 1/2021 Morris ..... D11/4  
D922,904 S \* 6/2021 Lavranos ..... D11/87  
2002/0078707 A1 6/2002 Walker et al.  
2005/0178154 A1 8/2005 Horan  
2005/0235694 A1 10/2005 Hunter  
2005/0279136 A1 12/2005 Bowman  
(Continued)

(\*\*) Term: **15 Years**

**FOREIGN PATENT DOCUMENTS**

(21) Appl. No.: **29/738,274**

CN 101438872 A 5/2009  
CN 101474032 B 7/2009

(22) Filed: **Jun. 16, 2020**

(Continued)

(51) **LOC (13) Cl.** ..... **11-01**

(52) **U.S. Cl.**  
USPC ..... **D11/87**

**OTHER PUBLICATIONS**

(58) **Field of Classification Search**  
USPC ..... D11/1-2, 7, 40-44, 46-49, 53, 56, 57,  
D11/59-61, 63, 65, 79-83, 86-87, 89-90,  
D11/91-92, 99, 101, 106, 114-116,  
D11/200-201; D8/382  
CPC ..... A44C 5/18; A44C 5/185; A44C 5/2019;  
A44C 5/2033; A44C 5/2095; A44C  
15/00; A44C 15/005  
See application file for complete search history.

U.S. Appl. No. 10/993,514, filed May 4, 2021, Wright et al.

*Primary Examiner* — Zenia I Bennett  
(74) *Attorney, Agent, or Firm* — Dentons US LLP

(57) **CLAIM**

An ornamental design for a lobster clasp, as shown and described.

**DESCRIPTION**

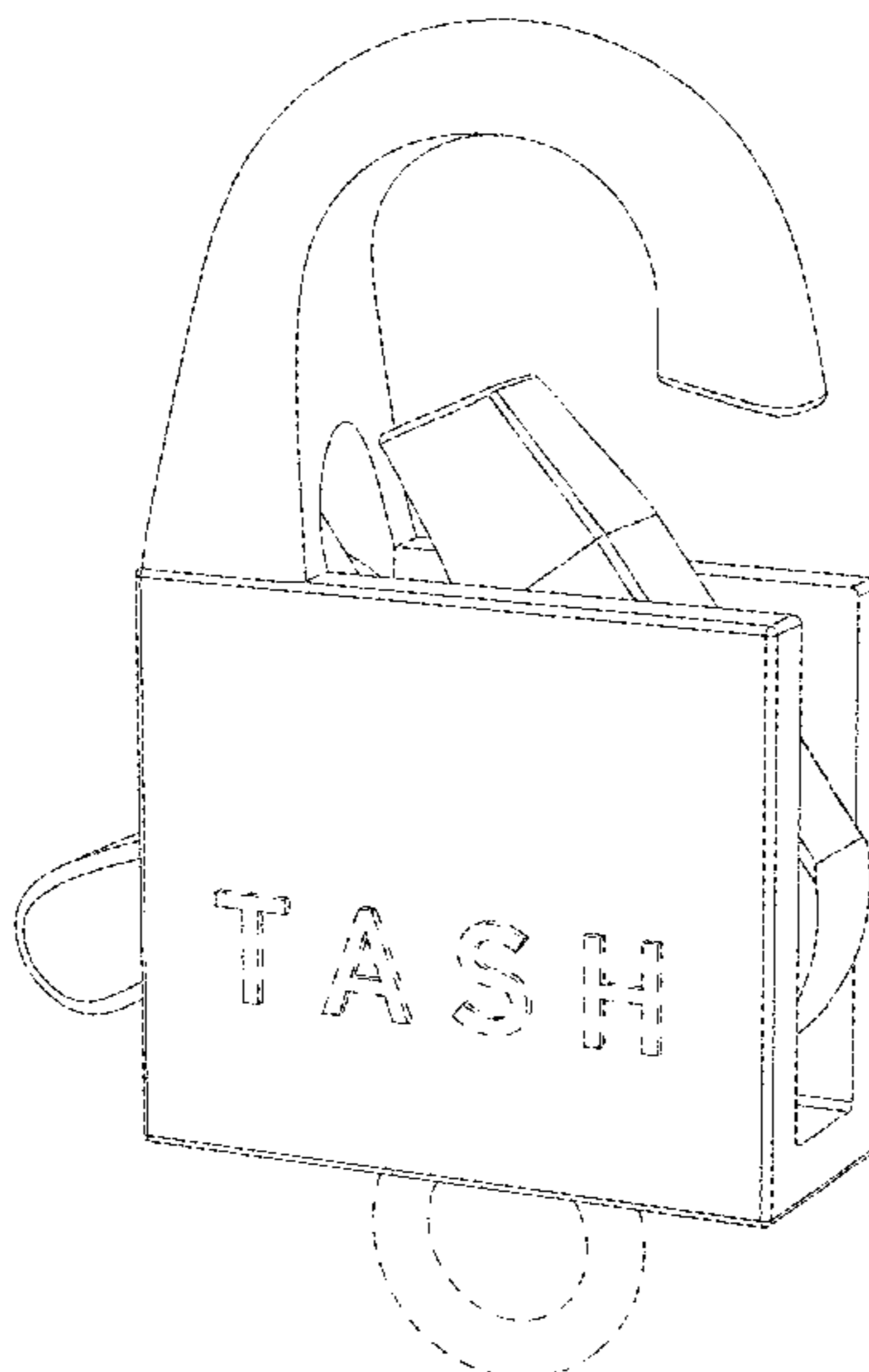
(56) **References Cited**

**U.S. PATENT DOCUMENTS**

D366,007 S \* 1/1996 Colpo ..... D11/87  
6,088,884 A 7/2000 Hentz  
D461,312 S \* 8/2002 Proof ..... D3/318  
6,561,415 B2 5/2003 Grant  
D479,147 S \* 9/2003 Winfield ..... D11/87  
7,086,123 B2 8/2006 Carter  
D601,916 S \* 10/2009 Moss ..... D11/87  
7,721,924 B2 5/2010 McCluhan  
7,938,712 B2 5/2011 Maricevic et al.  
7,966,704 B2 6/2011 Yurman et al.  
7,980,095 B1 7/2011 Masterson  
8,205,471 B2 6/2012 McLees

FIG. 1 is a front view of a lobster clasp;  
FIG. 2 is a rear view thereof;  
FIG. 3 is a top view thereof;  
FIG. 4 is a bottom view thereof;  
FIG. 5 is a right view thereof;  
FIG. 6 is a left view thereof;  
FIG. 7 is a first perspective view thereof;  
FIG. 8 is a second perspective view thereof; and,  
FIG. 9 is a third perspective view thereof.  
Broken lines shown in drawings illustrate portions of the lobster clasp that form no part of claimed design.

**1 Claim, 7 Drawing Sheets**



(56)

**References Cited**

U.S. PATENT DOCUMENTS

2011/0067446 A1 3/2011 McLees  
 2012/0077416 A1 3/2012 Xu  
 2014/0047693 A1 2/2014 Cassidy et al.  
 2014/0250948 A1 9/2014 Gross  
 2015/0101364 A1 4/2015 Snow et al.  
 2016/0166018 A1 6/2016 Morinville  
 2016/0166020 A1 6/2016 Lovett  
 2017/0086539 A1 3/2017 Reed  
 2018/0035767 A1 2/2018 Benhamou  
 2018/0303214 A1 10/2018 Harris et al.  
 2019/0029374 A1 1/2019 Goldberg  
 2019/0281932 A1 9/2019 Nam  
 2019/0282037 A1 9/2019 Johnson et al.  
 2020/0117963 A1 4/2020 Webster et al.  
 2020/0170456 A1 6/2020 Johnson et al.  
 2020/0214403 A1 7/2020 Gupta et al.  
 2021/0112929 A1 4/2021 Dorsey et al.  
 2021/0186166 A1 6/2021 Wright et al.  
 2021/0186167 A1 6/2021 Roi-Sanginario

FOREIGN PATENT DOCUMENTS

CN 203555260 U 4/2014  
 CN 204363135 U 6/2015  
 CN 205624832 U 10/2016  
 CN 205682647 U 11/2016  
 CN 205682650 U 11/2016  
 CN 206324367 U 7/2017  
 CN 107072362 A 8/2017

CN 206390424 U 8/2017  
 CN 107209808 A 9/2017  
 CN 107811361 B 3/2018  
 CN 207322844 U 5/2018  
 CN 207590176 U 7/2018  
 CN 208017033 U 10/2018  
 CN 208301137 U 1/2019  
 CN 109938465 A 6/2019  
 CN 110326858 B 10/2019  
 CN 107744221 B 12/2019  
 CN 107811360 B 4/2020  
 CN 107811362 B 4/2020  
 CN 107874390 B 4/2020  
 CN 213188451 U 5/2021  
 CN 113057421 A 7/2021  
 CN 213962141 U 8/2021  
 EP 2995214 B1 9/2017  
 IT FI990116 U1 3/2001  
 IT PD20090239 A1 2/2011  
 IT VI20140026 U1 11/2015  
 IT 201900009819 A1 12/2020  
 KR 20200017540 A 2/2020  
 WO WO1999015044 A1 4/1999  
 WO WO2003019431 A2 3/2003  
 WO WO2004041017 A2 5/2004  
 WO WO2012086275 A1 6/2012  
 WO WO2016033575 A1 3/2016  
 WO WO2020110054 A1 6/2020  
 WO WO2020178806 A1 9/2020  
 WO WO2020227634 A1 11/2020  
 WO WO2021011621 A1 1/2021

\* cited by examiner

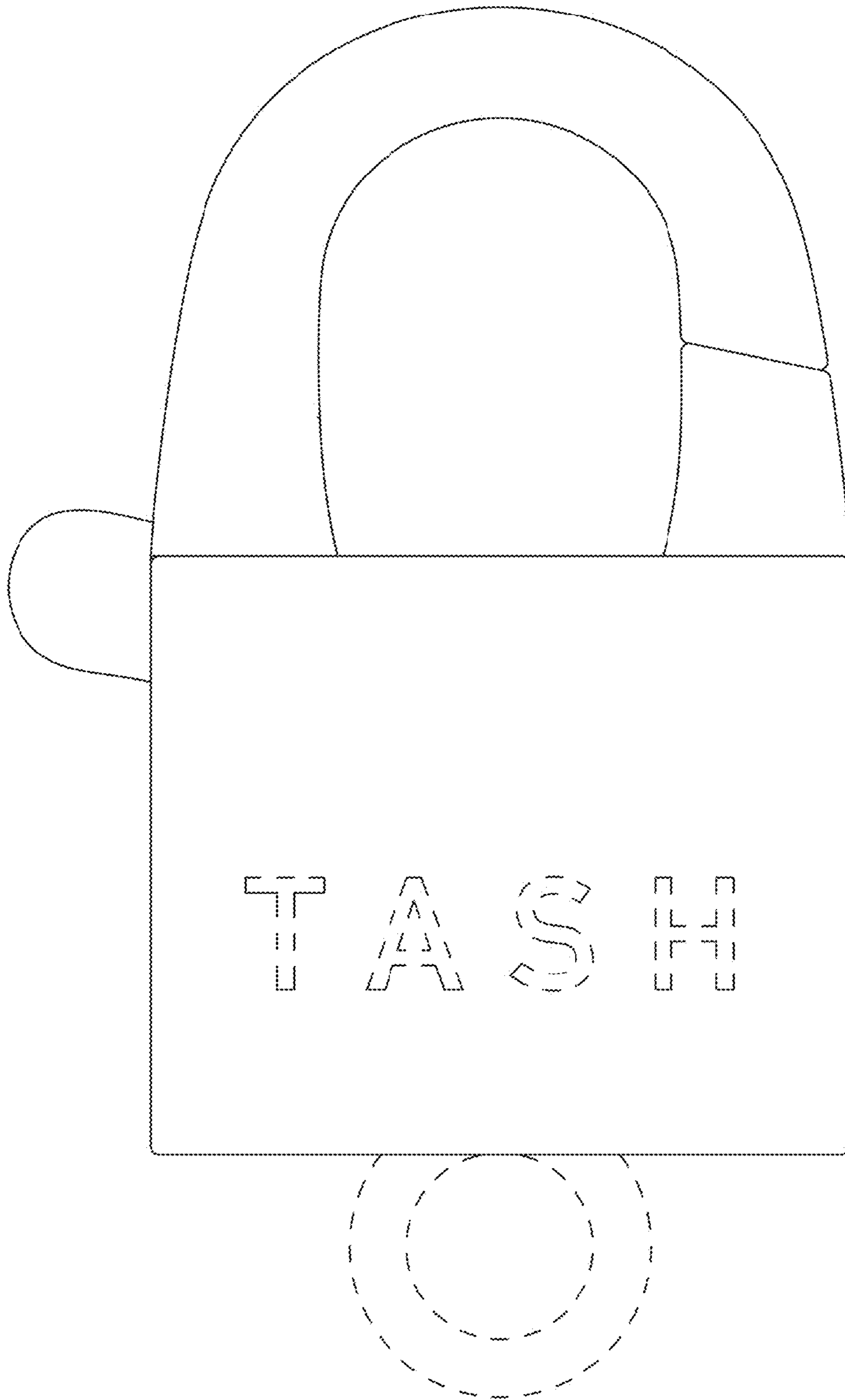


FIG. 1

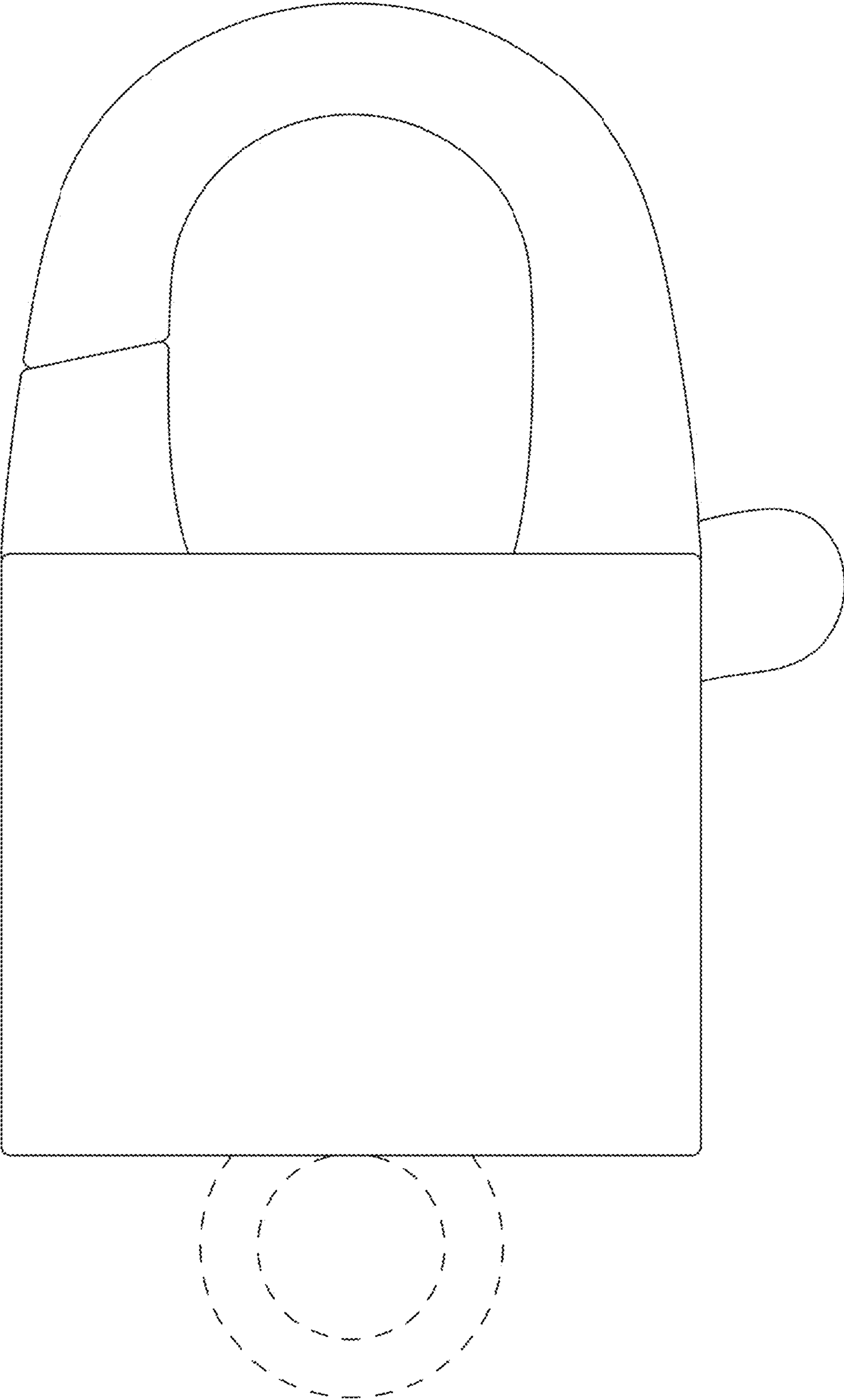


FIG. 2

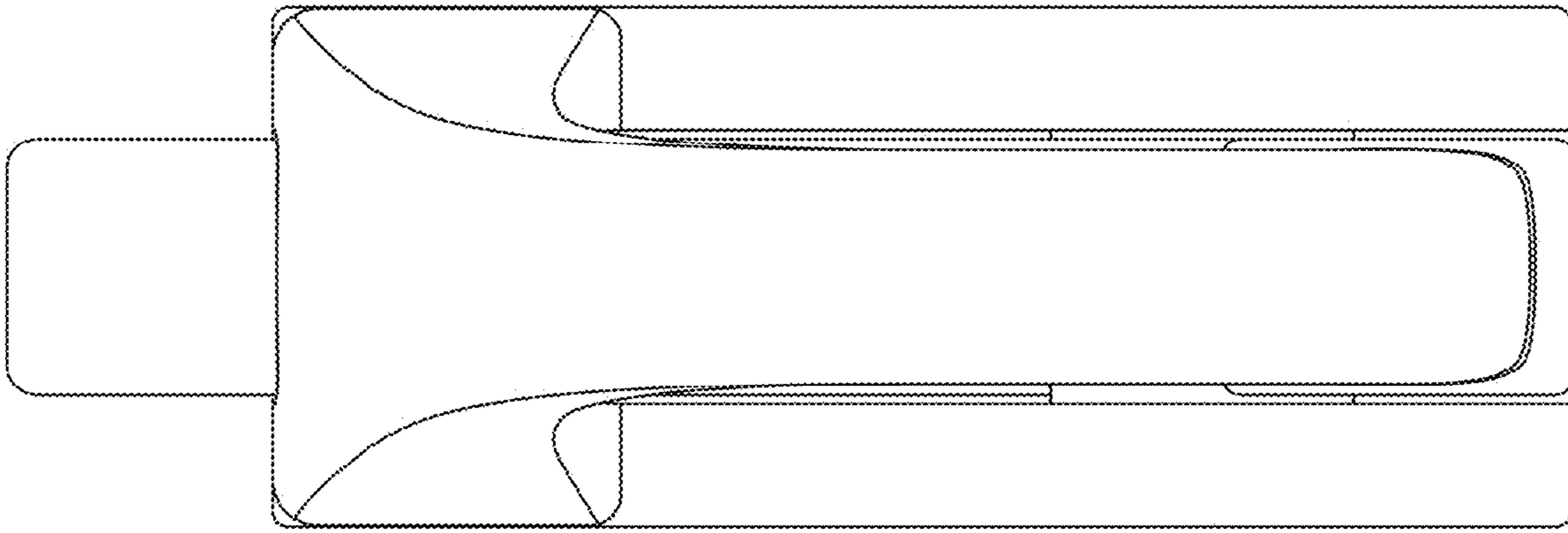


FIG. 3

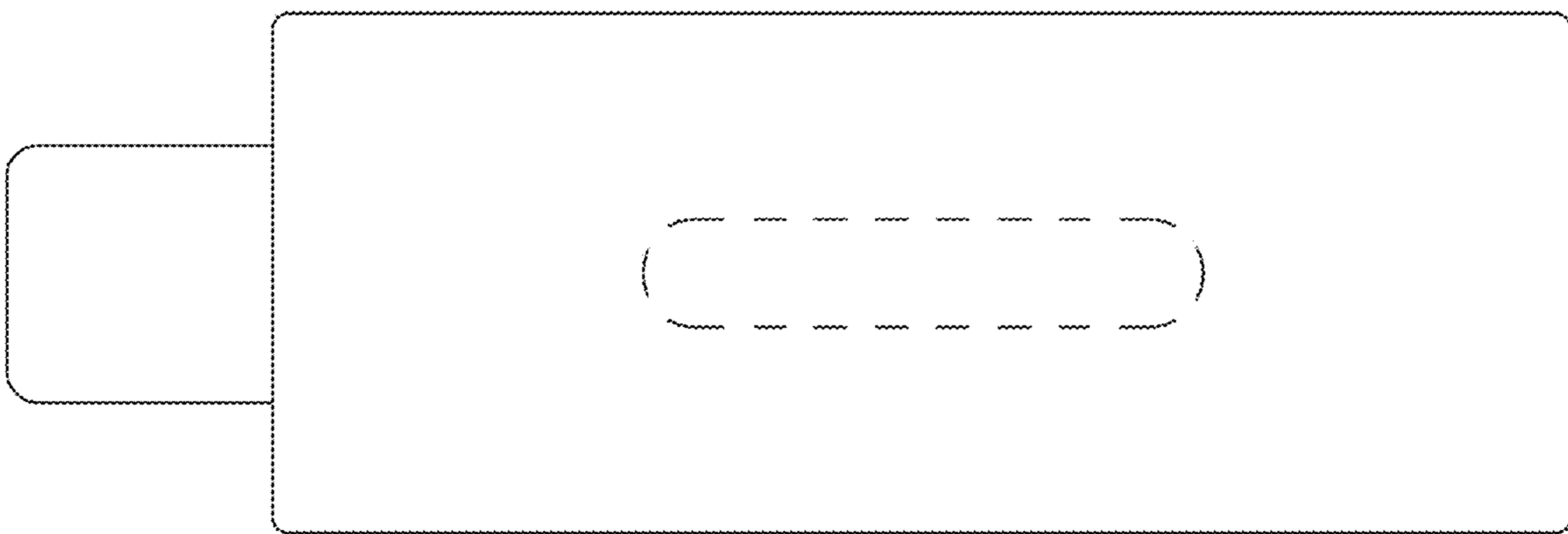


FIG. 4

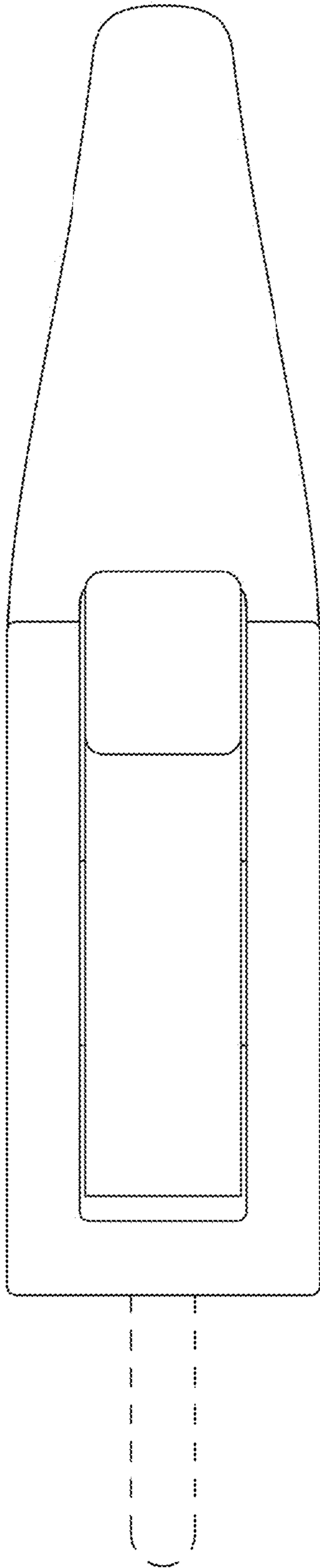


FIG. 5

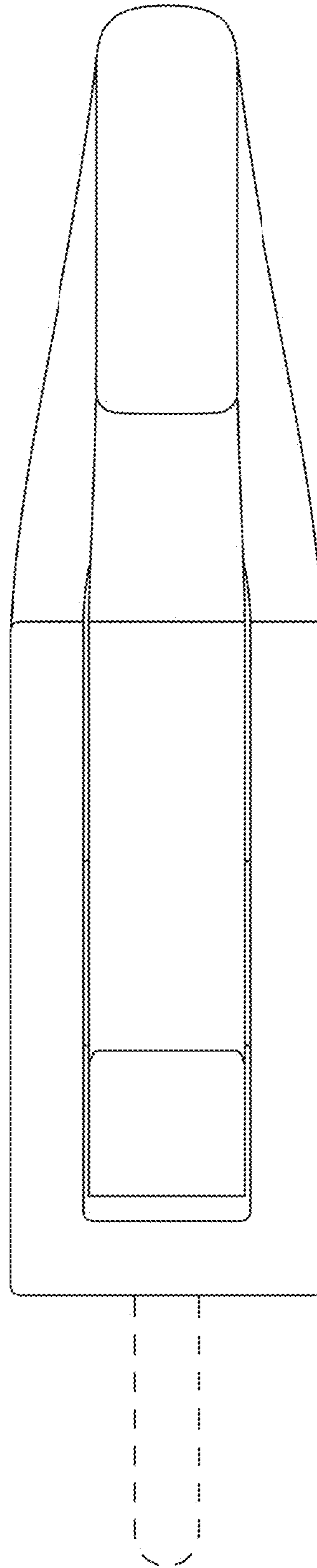


FIG. 6

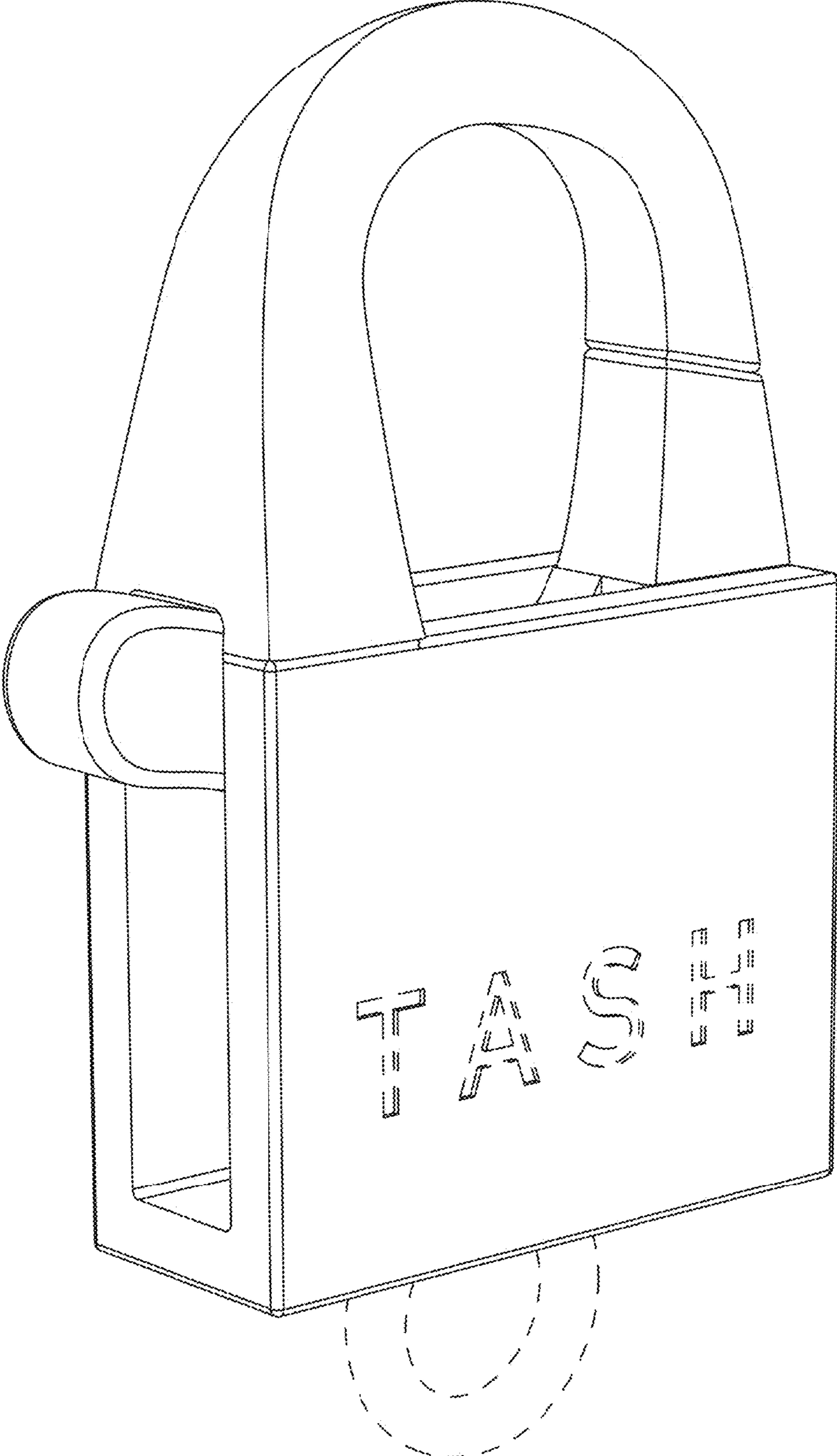


FIG. 7

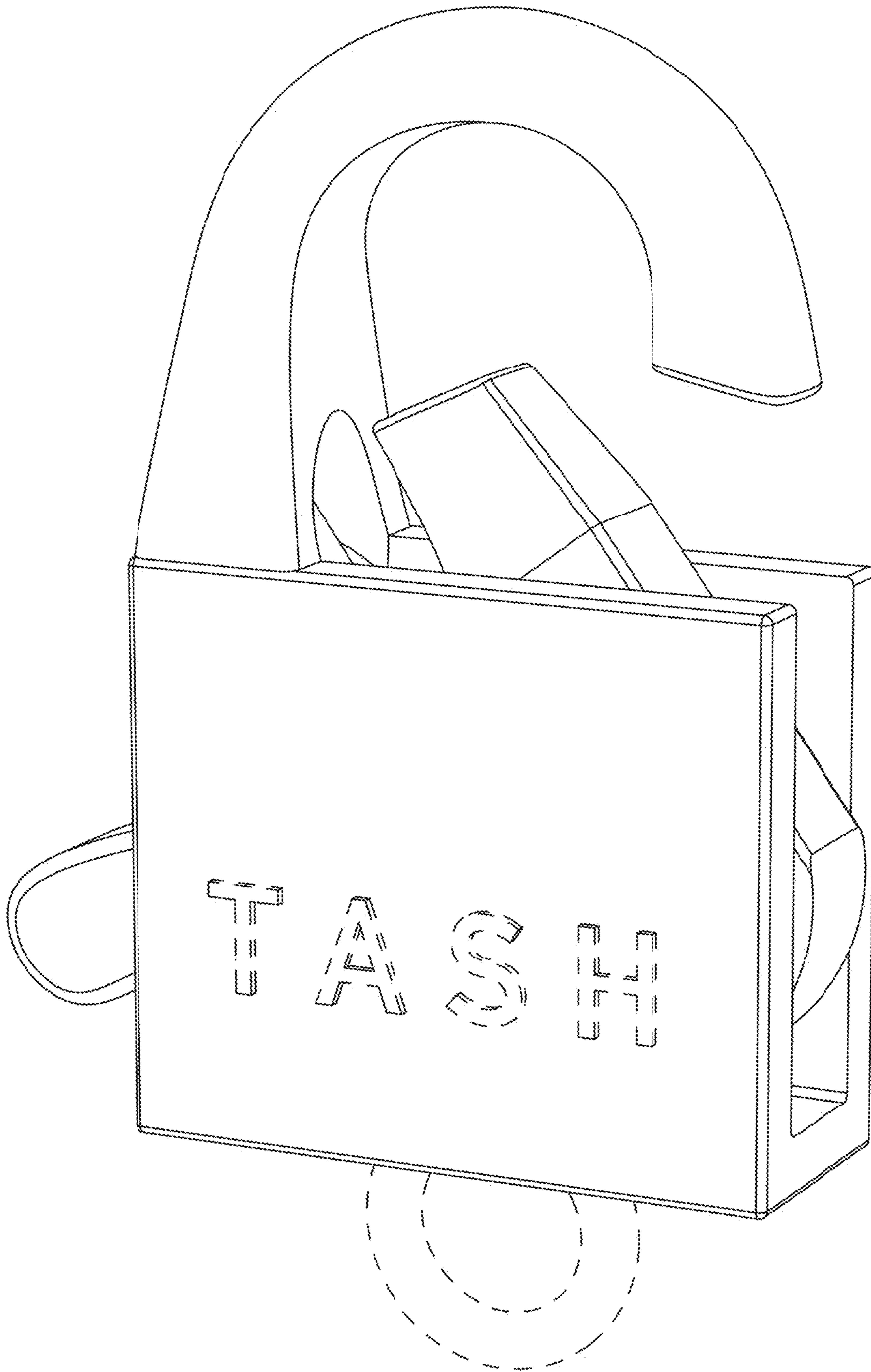


FIG. 8



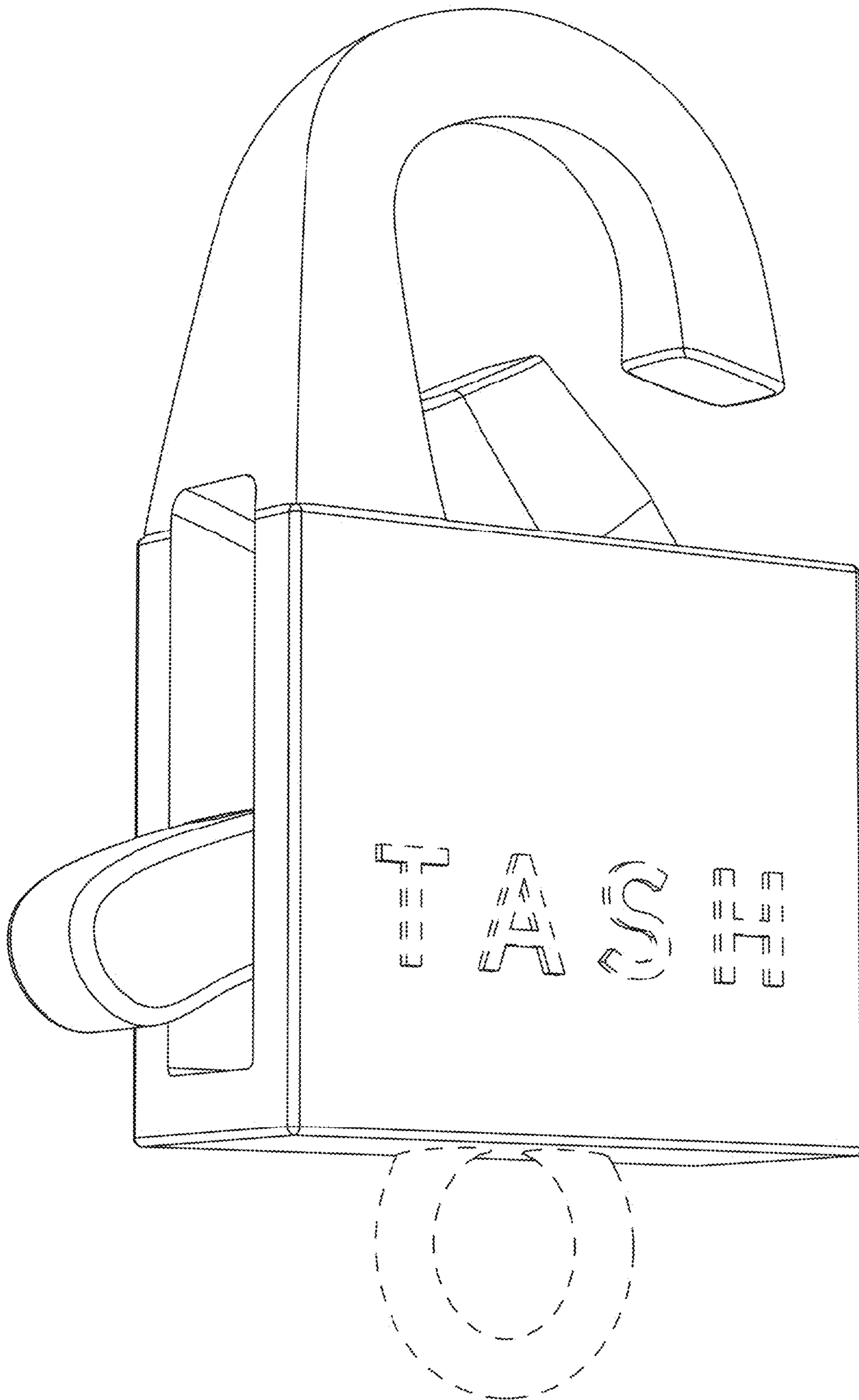


FIG. 9