



US00D951126S

(12) **United States Design Patent** (10) **Patent No.:** **US D951,126 S**
Li (45) **Date of Patent:** **** May 10, 2022**

(54) **BRACELET**
(71) Applicant: **Yin Li**, Anxiang (CN)
(72) Inventor: **Yin Li**, Anxiang (CN)
(**) Term: **15 Years**
(21) Appl. No.: **29/782,356**
(22) Filed: **May 6, 2021**
(51) **LOC (13) Cl.** **11-01**
(52) **U.S. Cl.**
USPC **D11/5; D11/27**
(58) **Field of Classification Search**
USPC D11/1-25, 26-39
CPC A44C 5/00; A44C 5/0007; A44C 5/0015;
A44C 5/0023; A44C 5/003; A44C
5/0038; A44C 5/0046; A44C 5/0053;
A44C 5/0061; A44C 5/0084; A44C
5/0092; A44C 9/00; A44C 9/0007; A44C
9/0015; A44C 9/0023; A44C 9/003; A44C
9/0038; A44C 9/0046; A44C 9/0053;
A44C 9/0061; A44C 9/0069; A44C
9/0076; A44C 9/0092; A44C 9/02; A44C
15/00; A44C 1/00; A44C 3/00
See application file for complete search history.

(56) **References Cited**
U.S. PATENT DOCUMENTS
136,550 A * 3/1873 Schenck, Jr. F16G 13/14
59/90
260,540 A * 7/1882 Cottle A44C 5/0092
63/11
297,874 A * 4/1884 Thiery A44C 5/0092
63/11
625,959 A * 5/1899 Saart A44C 11/002
63/3
D89,240 S * 2/1933 Kagan D11/37
D128,297 S * 7/1941 Healy D11/5
D141,653 S * 6/1945 Ray-Dupuis D11/4
D237,816 S * 11/1975 Bulgari D11/27
D276,321 S * 11/1984 Bulgari D11/27

5,074,127 A * 12/1991 Yurman A44C 5/12
63/3
D435,228 S * 12/2000 Hegarty D11/27
D447,436 S * 9/2001 Park
D592,079 S * 5/2009 Yurman D10/32
D722,519 S * 2/2015 Marchand
D722,520 S * 2/2015 Marchand D11/81
D750,527 S * 3/2016 Roth D11/39
D753,533 S * 4/2016 Roth D11/40
9,392,849 B1 * 7/2016 Makhoulia A44C 5/003
D788,629 S * 6/2017 Marchand
D791,006 S * 7/2017 Ramsey D11/4
D809,960 S * 2/2018 Marchand D11/41
D815,973 S * 4/2018 Coin D11/5
D824,274 S * 7/2018 Trafton D11/3
D881,741 S * 4/2020 Tang D11/40
D915,931 S * 4/2021 Fillon D11/34

(Continued)

OTHER PUBLICATIONS

[Online] "Fettero Gold Cuff . . ." https://www.amazon.com/Fettero-Bracelets-Adjustable-Friendship-Christmas/dp/B09HC93F9X/ref=sr_1_3?crd=2UCRO7SWIHX7&keywords=nail+bangle+bracelet&qid=1642201855&sprefix=nail+bangle+bracelet%2Caps%2C69&sr=8-3. Posted online Sep. 28, 2021. Retrieved Jan. 12, 2022.*

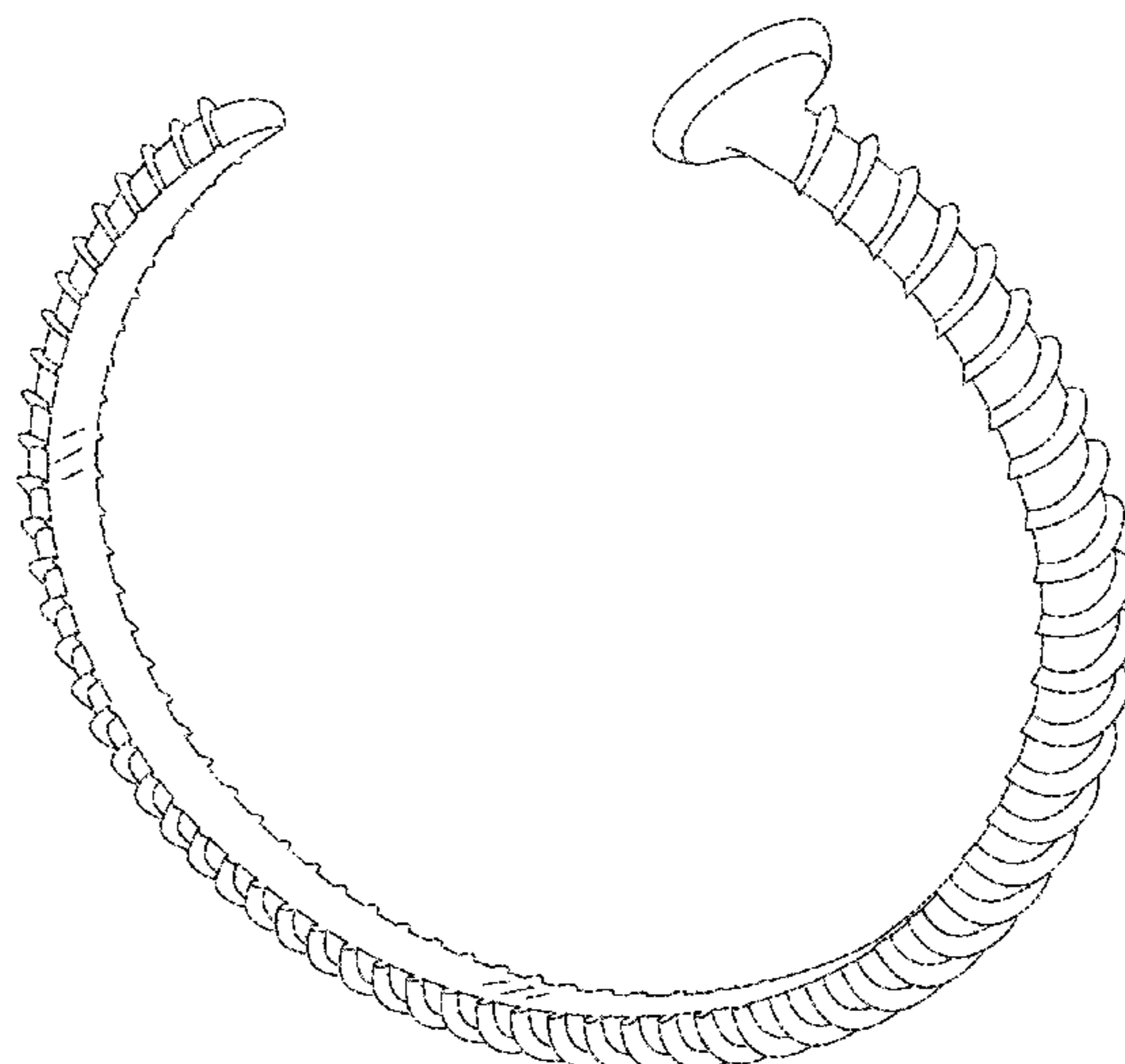
Primary Examiner — Melanie Pellegrini
(74) *Attorney, Agent, or Firm* — Zhihua Han; Wen IP LLC

(57) **CLAIM**
The ornamental design for a bracelet, as shown and described.

DESCRIPTION

FIG. 1 is a perspective view of a bracelet, showing my new design;
FIG. 2 is a front elevation view thereof;
FIG. 3 is a rear elevation view thereof;
FIG. 4 is a left side elevation view thereof;
FIG. 5 is a right side elevation view thereof;
FIG. 6 is a top plan view thereof; and,
FIG. 7 is a bottom plan view thereof.

1 Claim, 7 Drawing Sheets



(56)

References Cited

U.S. PATENT DOCUMENTS

D928,648 S * 8/2021 Sakkijah D11/4
D935,339 S * 11/2021 Uy D11/5

* cited by examiner

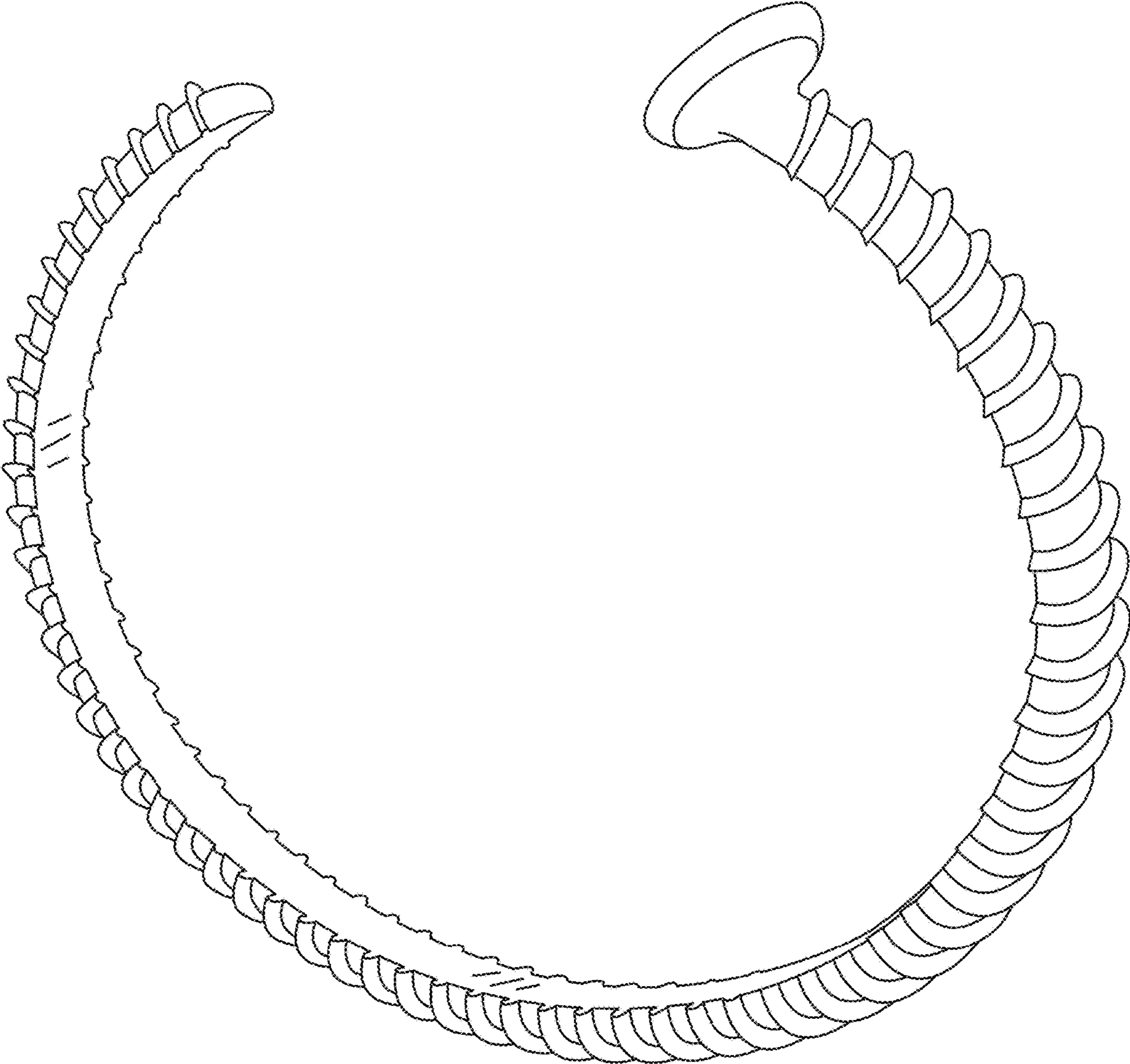


FIG. 1

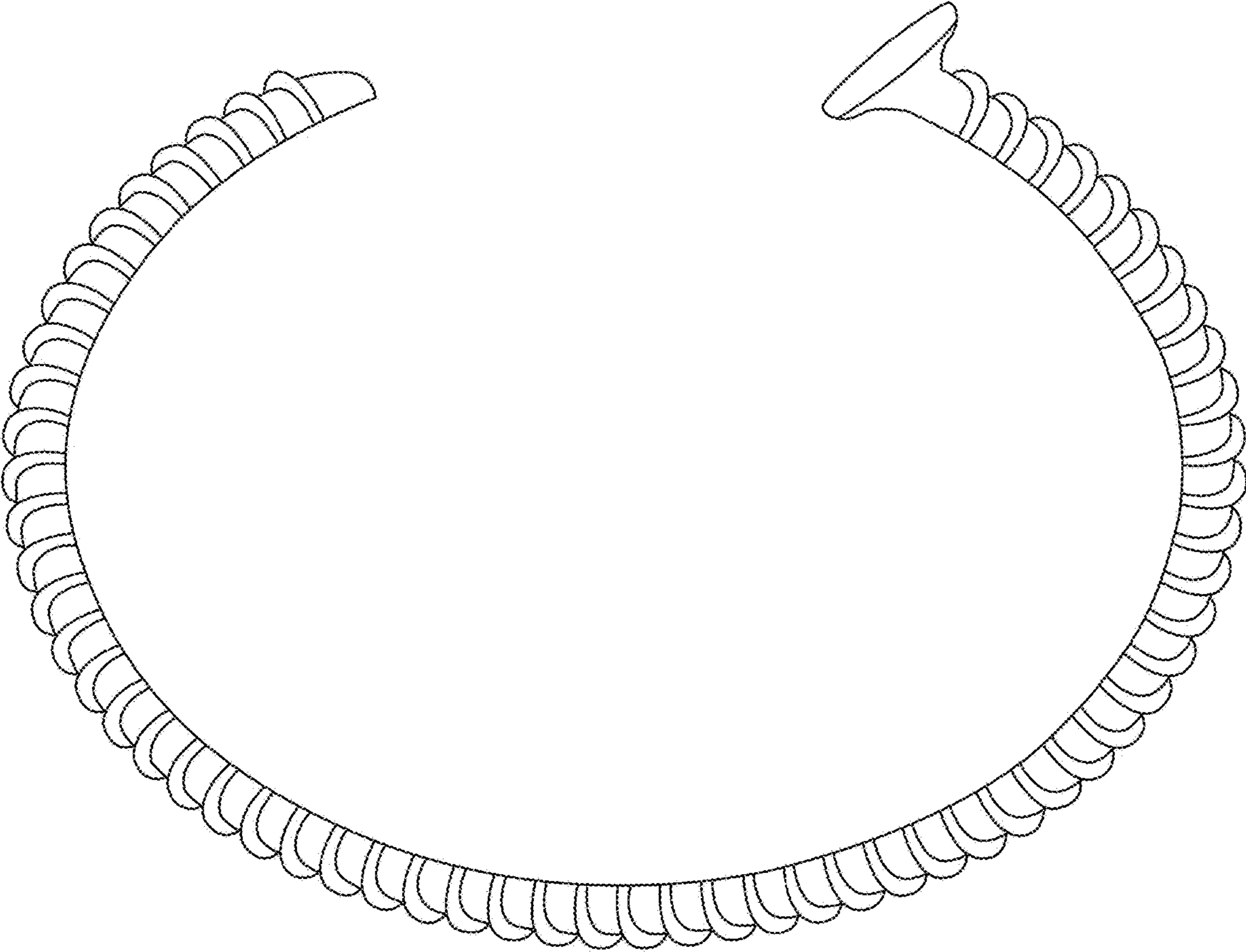


FIG. 2

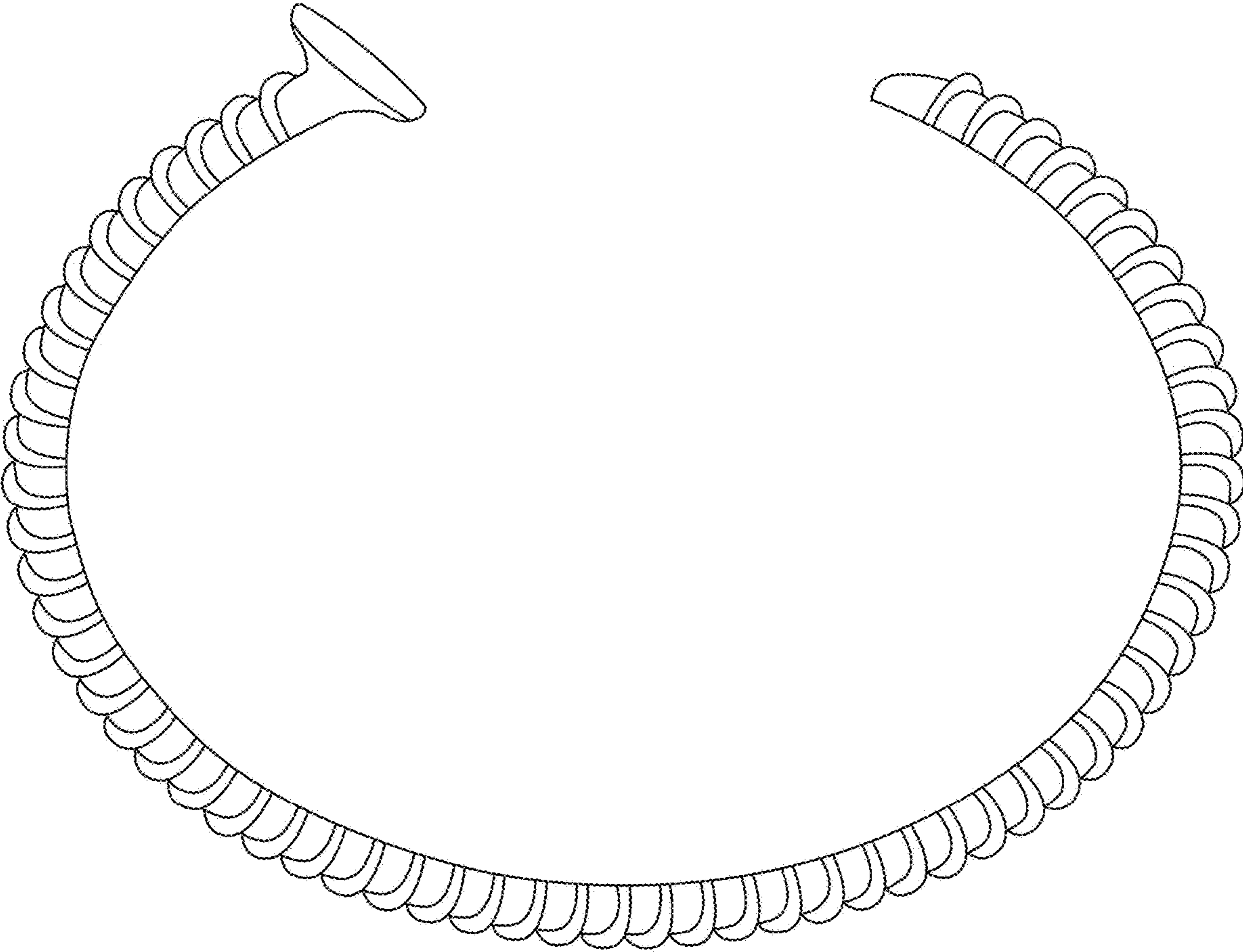


FIG. 3

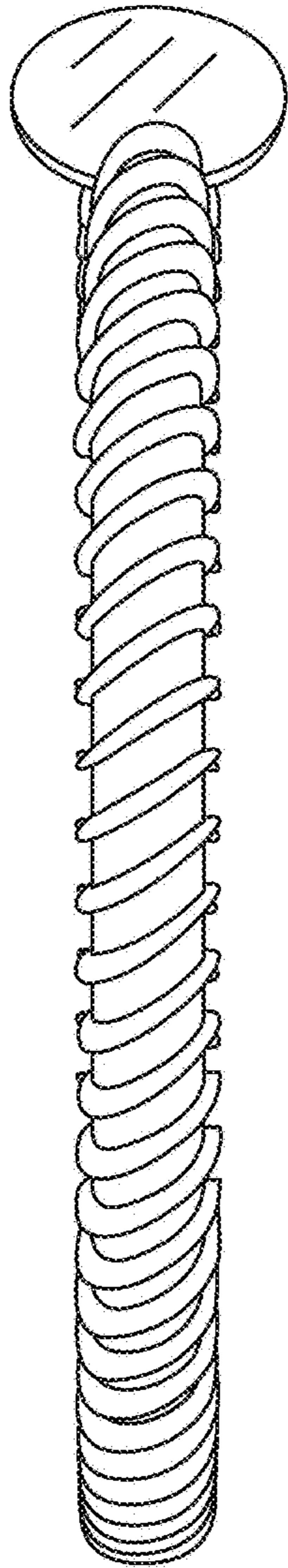


FIG. 4

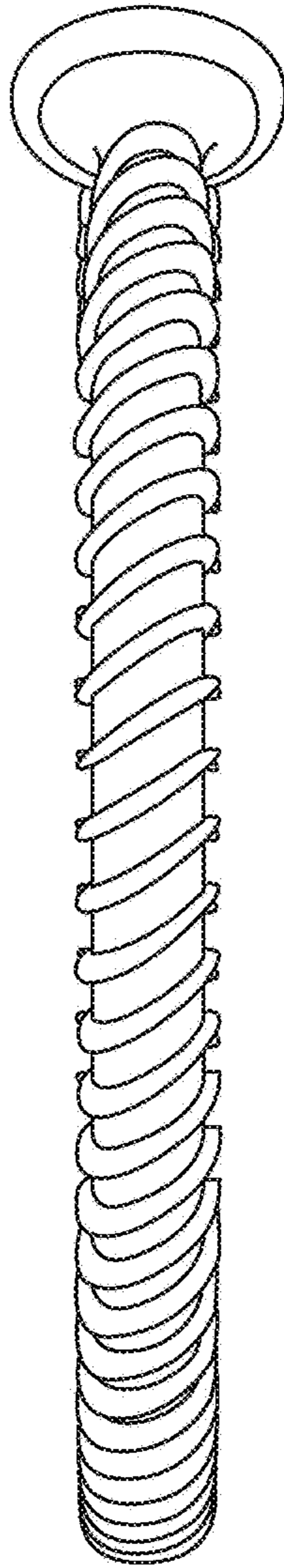


FIG. 5

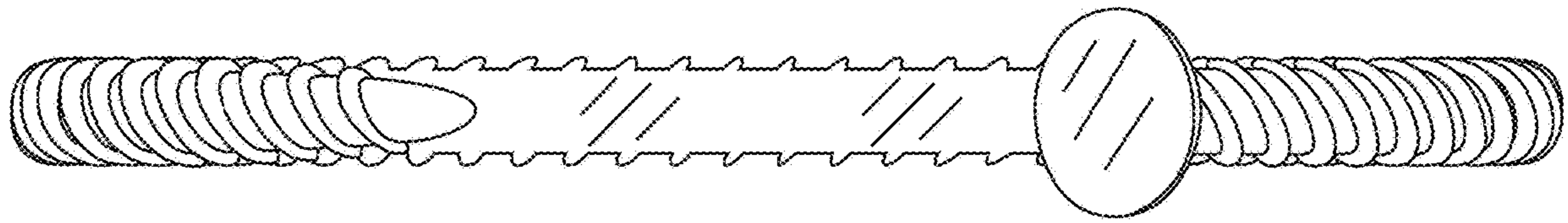


FIG. 6

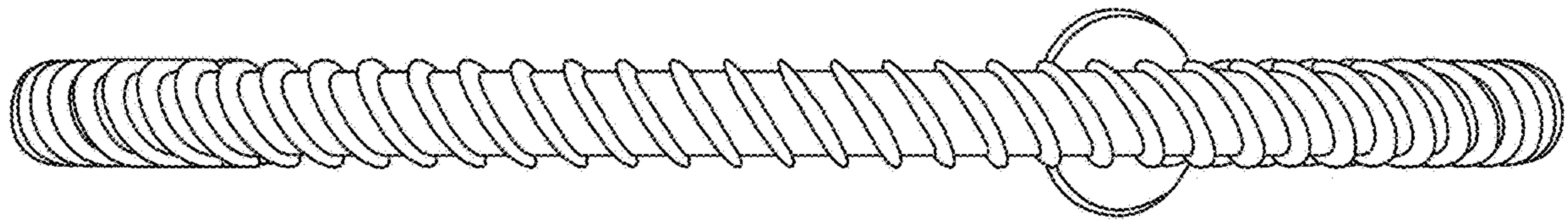


FIG. 7