



US00D951124S

(12) **United States Design Patent** (10) **Patent No.:** **US D951,124 S**
Deng (45) **Date of Patent:** **** May 10, 2022**

(54) **PROTECTIVE CASE WITH WATCH STRAP**
(71) Applicant: **SHENZHEN WODEFENG TECHNOLOGY CO., LTD.**, Shenzhen (CN)
(72) Inventor: **Jianjie Deng**, Guilin (CN)
(73) Assignee: **SHENZHEN WODEFENG TECHNOLOGY CO., LTD.**, Shenzhen (CN)

D912,562 S * 3/2021 Zhou D14/440
D912,665 S * 3/2021 Zhang D14/344
D923,004 S * 6/2021 Gao D14/344
11,033,082 B1 * 6/2021 Riot A44C 5/147
(Continued)

FOREIGN PATENT DOCUMENTS

WO WO-2016038468 A1 * 3/2016 A45C 11/12

OTHER PUBLICATIONS

Otterbox Exo Edge Case for Apple Watch | amazon.ca; date first available May 24, 2021 [online]. © 1996-2022, Amazon.com, Inc [retrieved Mar. 22, 2022] from Internet: <https://www.amazon.ca/OtterBox-Apple-Watch-Retail-Packaging/dp/B0948C6Y9K> (Year: 2021).*

(Continued)

Primary Examiner — Katherine Glennon

(**) **Term:** **15 Years**
(21) **Appl. No.:** **29/797,980**
(22) **Filed:** **Jul. 5, 2021**
(51) **LOC (13) Cl.** **10-07**
(52) **U.S. Cl.**
USPC **D10/132; D10/32; D11/3**
(58) **Field of Classification Search**
USPC D10/30-32, 132; D11/3; D14/344, 440
CPC A44C 5/18; A44C 5/147; G04B 37/005;
G04B 37/0058
See application file for complete search history.

(57) **CLAIM**

The ornamental design for a protective case with watch strap, as shown and described.

DESCRIPTION

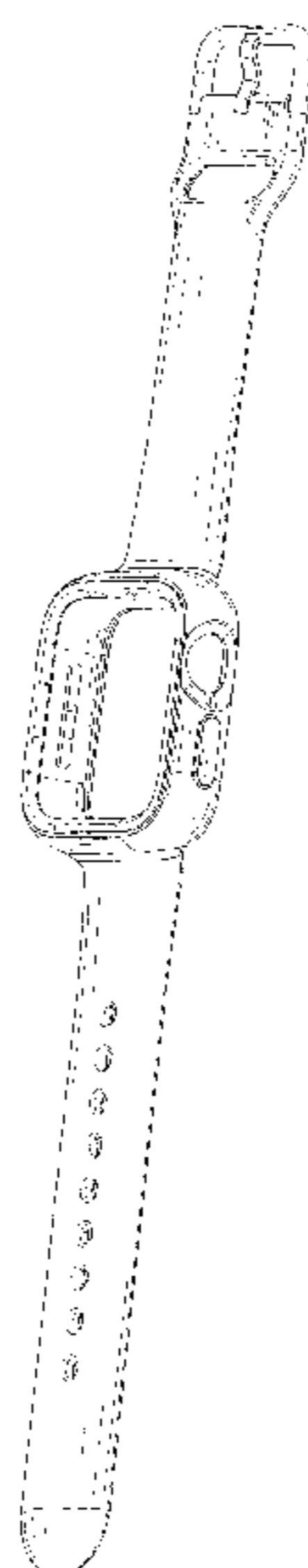
(56) **References Cited**

U.S. PATENT DOCUMENTS

D727,197 S * 4/2015 Akana D11/3
D729,681 S * 5/2015 Lee D14/344
D767,436 S * 9/2016 Goodner D11/3
D821,246 S * 6/2018 Akana D11/3
D836,477 S * 12/2018 Peng D11/3
D839,121 S * 1/2019 Liu D11/3
D848,893 S * 5/2019 Yu D11/3
D854,960 S * 7/2019 Yu D11/3
D857,542 S 8/2019 Sun
D894,179 S * 8/2020 Chung D14/344
D895,471 S * 9/2020 Zhang D11/3
D897,882 S 10/2020 Yi
D898,745 S * 10/2020 Ye D14/440
D903,508 S * 12/2020 Zhang D10/30
D909,225 S * 2/2021 Riot D14/344

FIG. 1 is a perspective view of a protective case with watch strap showing my new design;
FIG. 2 is another perspective view thereof;
FIG. 3 is a front elevational view thereof;
FIG. 4 is a rear elevational view thereof;
FIG. 5 is a left side elevational view thereof;
FIG. 6 is a right side elevational view thereof;
FIG. 7 is a top plan view thereof;
FIG. 8 is a bottom plan view thereof;
FIG. 9 is a perspective view of the protective case with watch strap where the protective case with watch strap is in a configuration of use;
FIG. 10 is an enlarged view of FIG. 7; and,
FIG. 11 is an enlarged view of FIG. 8.

1 Claim, 11 Drawing Sheets



(56)

References Cited

U.S. PATENT DOCUMENTS

D924,715 S * 7/2021 Wright D14/440
D926,614 S * 8/2021 Velazquez D11/3
D932,321 S * 10/2021 Jung D14/440
2013/0001263 A1* 1/2013 Kai A45F 5/00
224/241
2013/0152276 A1* 6/2013 Hsieh G04G 17/08
2/243.1
2020/0363773 A1* 11/2020 Wang G04B 37/22

OTHER PUBLICATIONS

Lerobo 3 Pack Compatible for Apple Watch Band | amazon.com; date first available Feb. 21, 2021 [online]. © 1996-2022, Amazon.com, Inc [retrieved Mar. 22, 2022] from Internet: <https://www.amazon.com/Lerobo-Compatible-Silicone-Breathable-Replacement/dp/B08X3J5KVN?ref_ast_sto_dp&th=1> (Year: 2021).*

3 in 1 Apple Watch Band with Case | amazon.com; date first available Jun. 8, 2021 [online]. © 1996-2022, Amazon.com, Inc [retrieved Mar. 22, 2022] from Internet: <<https://www.amazon.com/Built-Protector-SmartWatch-Silicone-Tempered/dp/B096VT4QB4?th=1>> (Year: 2021).*

* cited by examiner

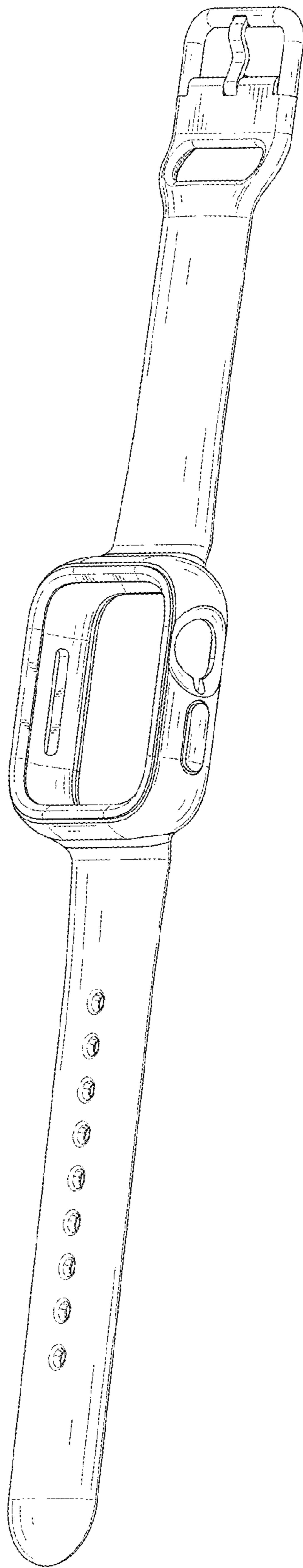


FIG. 1

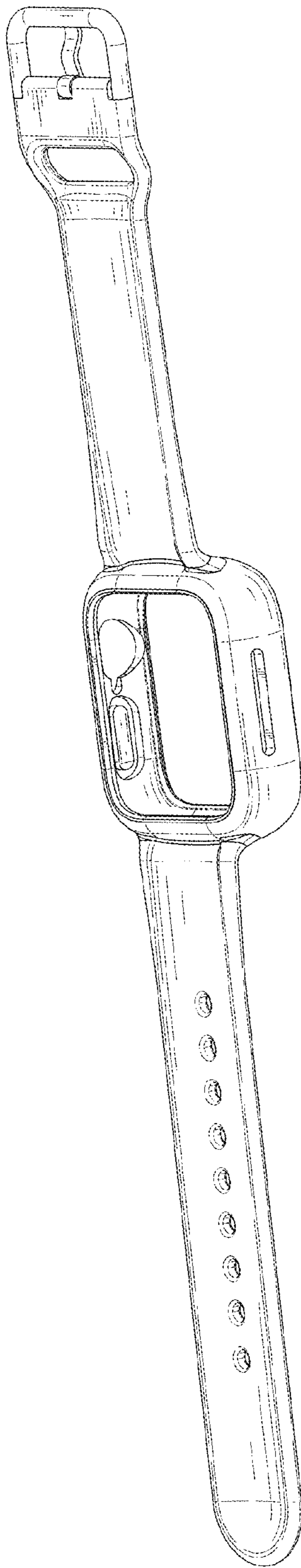


FIG. 2

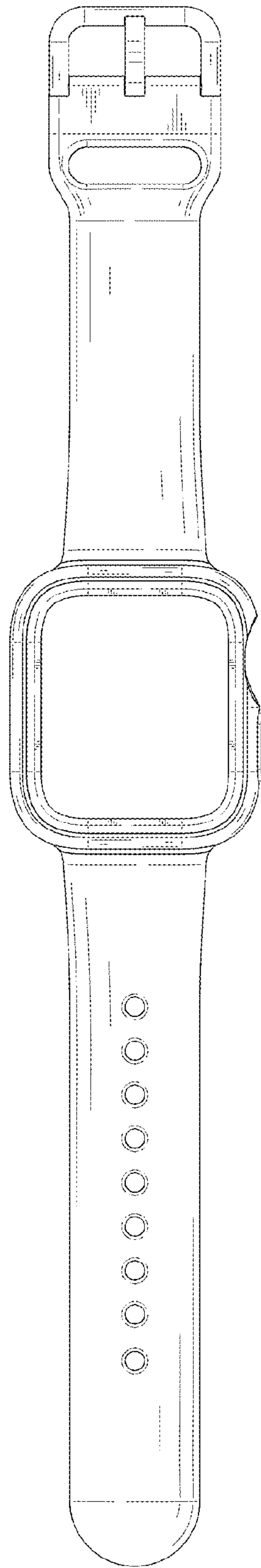


FIG. 3

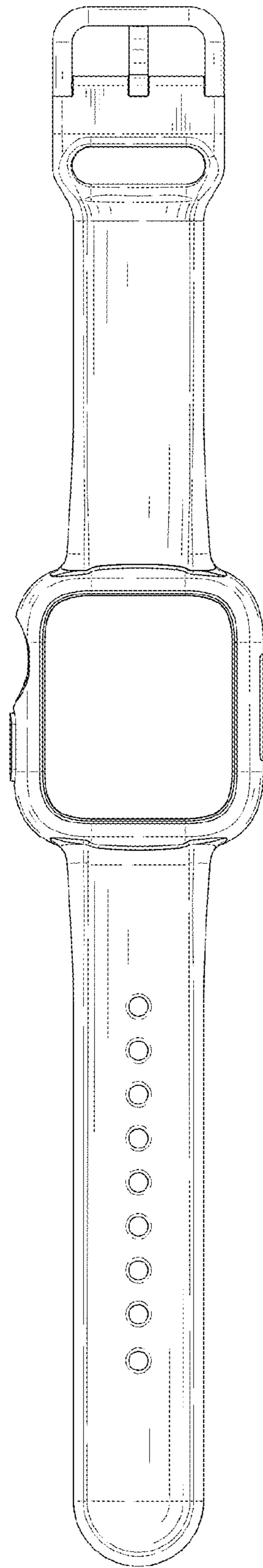


FIG. 4

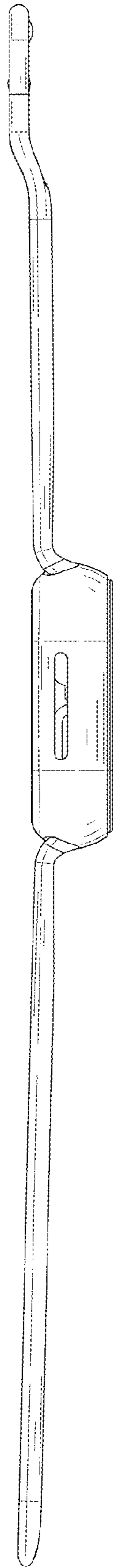


FIG. 5

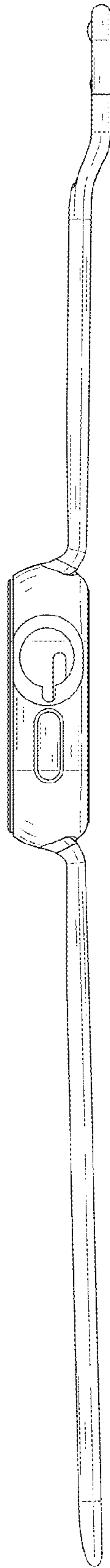


FIG. 6

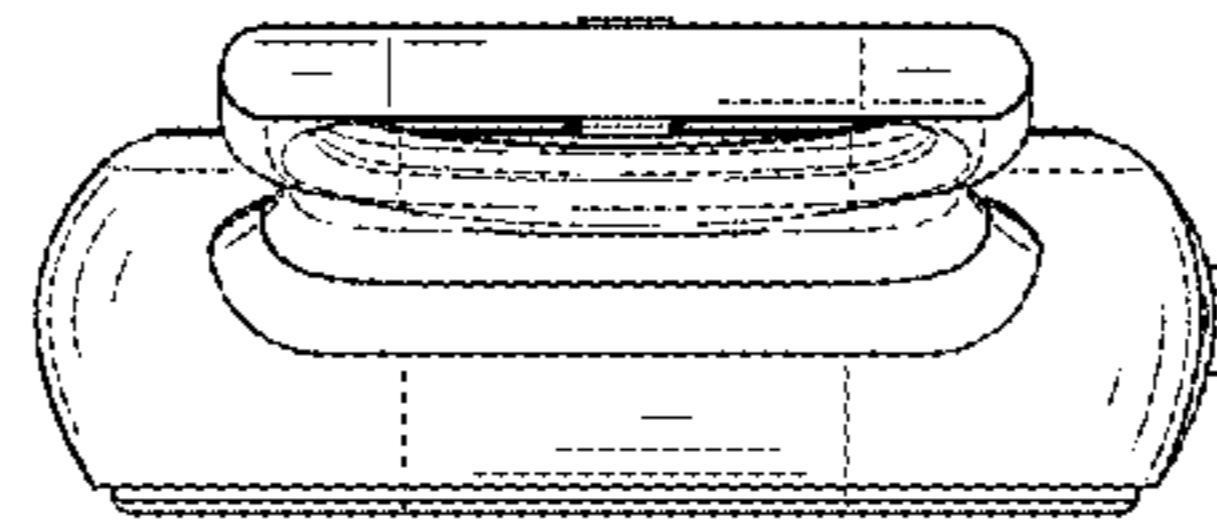


FIG. 7

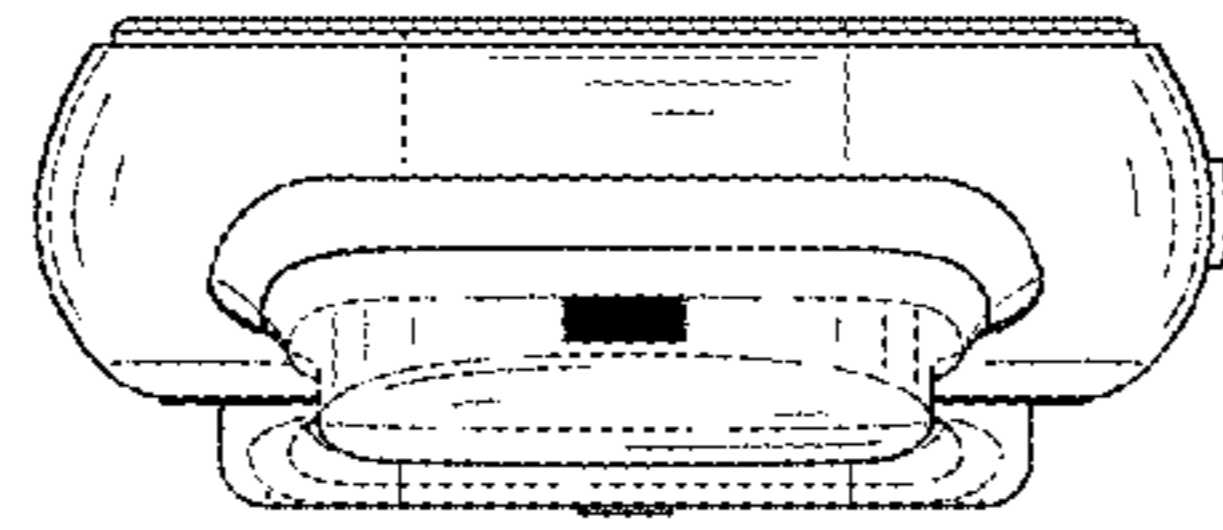


FIG. 8

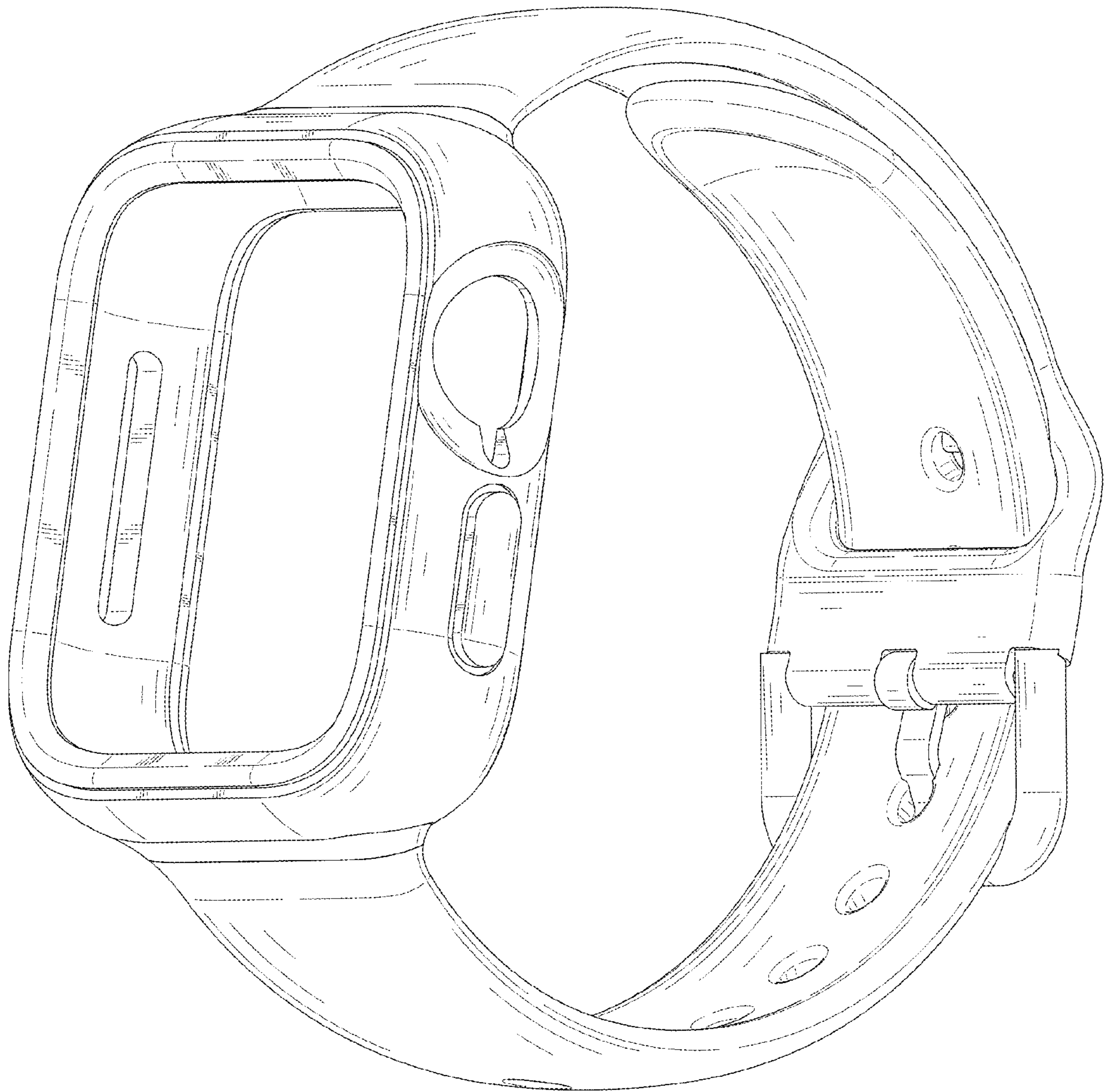


FIG. 9

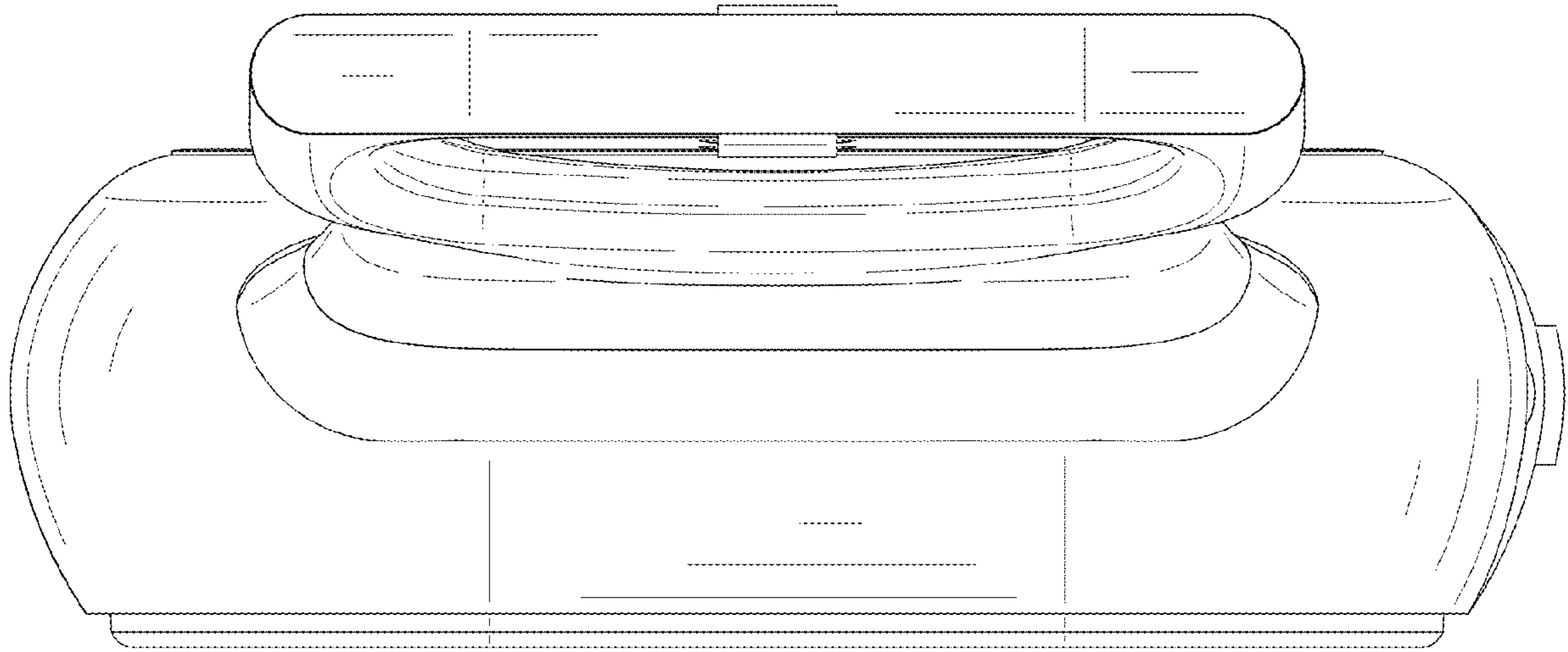


FIG. 10

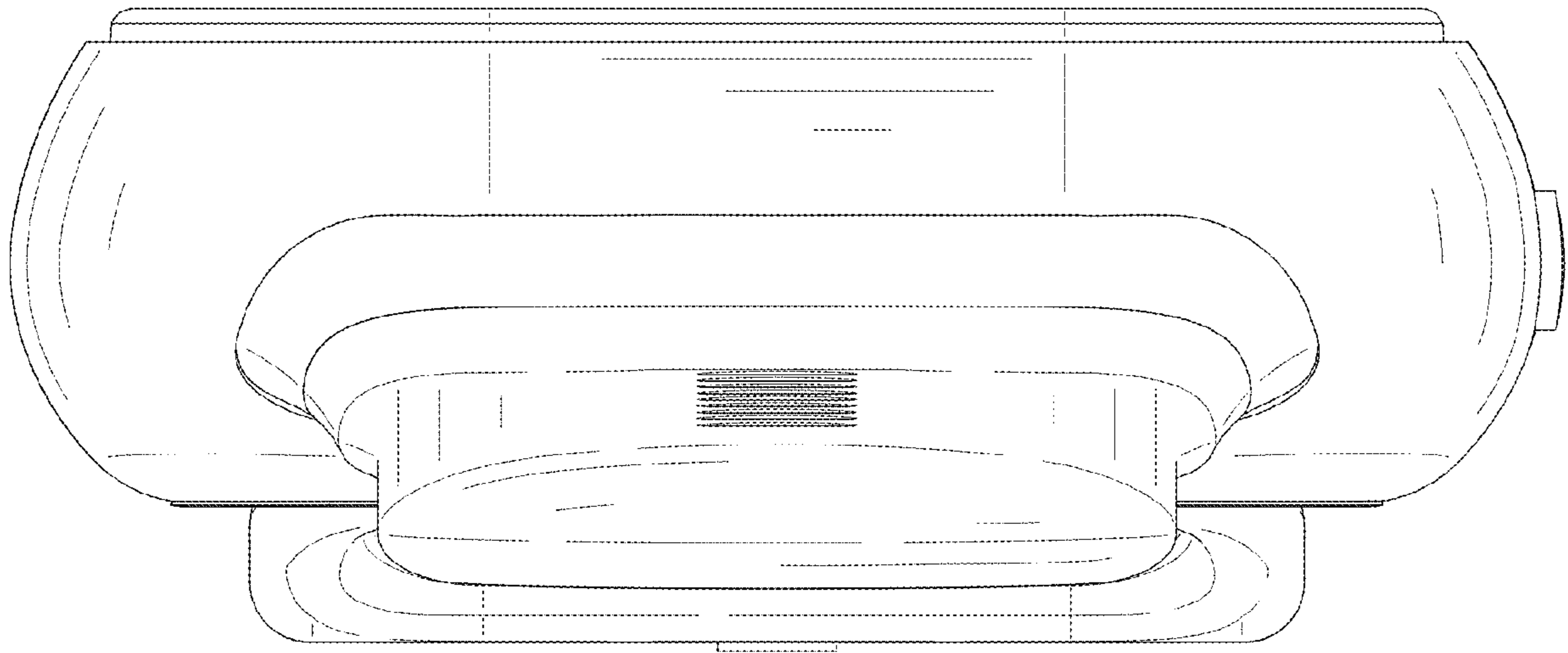


FIG. 11