



US00D951118S

(12) **United States Design Patent** (10) **Patent No.:** **US D951,118 S**
Faubion et al. (45) **Date of Patent:** **** May 10, 2022**

(54) **SMOKE DETECTOR**

(56) **References Cited**

(71) Applicants: **Steven Benjamin Faubion**, Ruston,
WA (US); **Peggy Ann Faubion**, Ruston,
WA (US)

U.S. PATENT DOCUMENTS

D254,901 S *	5/1980	Ng	D10/106.5
D472,175 S *	3/2003	Welsh	D10/106.5
D786,725 S *	5/2017	McCormick	D10/106.5
D888,595 S *	6/2020	Desjardins	D10/106.2
D904,914 S *	12/2020	Faubion	G08B 17/00 D10/106.5

(72) Inventors: **Steven Benjamin Faubion**, Ruston,
WA (US); **Peggy Ann Faubion**, Ruston,
WA (US)

(**) Term: **15 Years**

* cited by examiner

(21) Appl. No.: **29/815,800**

Primary Examiner — George D. Kirschbaum

(22) Filed: **Nov. 16, 2021**

(74) *Attorney, Agent, or Firm* — Christopher Mayle; Bold IP, PLLC

Related U.S. Application Data

(57) **CLAIM**

The ornamental design for a smoke detector, as shown.

(63) Continuation of application No. 29/761,960, filed on Dec. 14, 2020, now Pat. No. Des. 941,175, which is a continuation of application No. 29/729,115, filed on Mar. 24, 2020, now Pat. No. Des. 904,914, which is a continuation of application No. 15/096,071, filed on Apr. 11, 2016, now Pat. No. 10,600,299.

DESCRIPTION

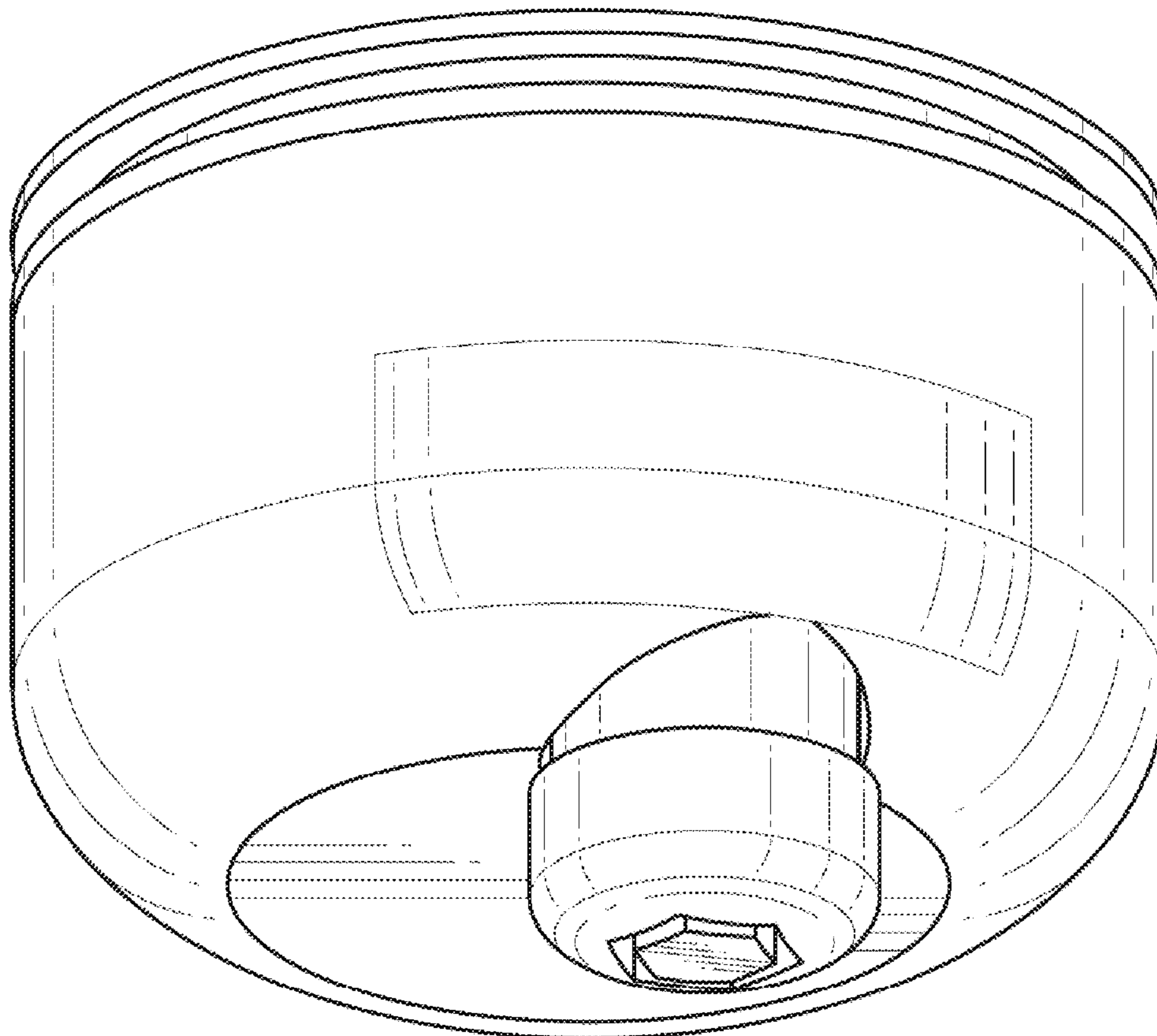
FIG. 1 is a bottom perspective view of a smoke detector in accordance with the present invention;
FIG. 2 is a front view thereof;
FIG. 3 is a back view thereof;
FIG. 4 is a left view thereof;
FIG. 5 is a right view thereof;
FIG. 6 is a top view thereof; and,
FIG. 7 is a bottom view thereof.

(51) **LOC (13) Cl.** **10-05**

(52) **U.S. Cl.**
USPC **D10/106.5**

(58) **Field of Classification Search**
USPC D10/106.5, 106.2
See application file for complete search history.

1 Claim, 7 Drawing Sheets



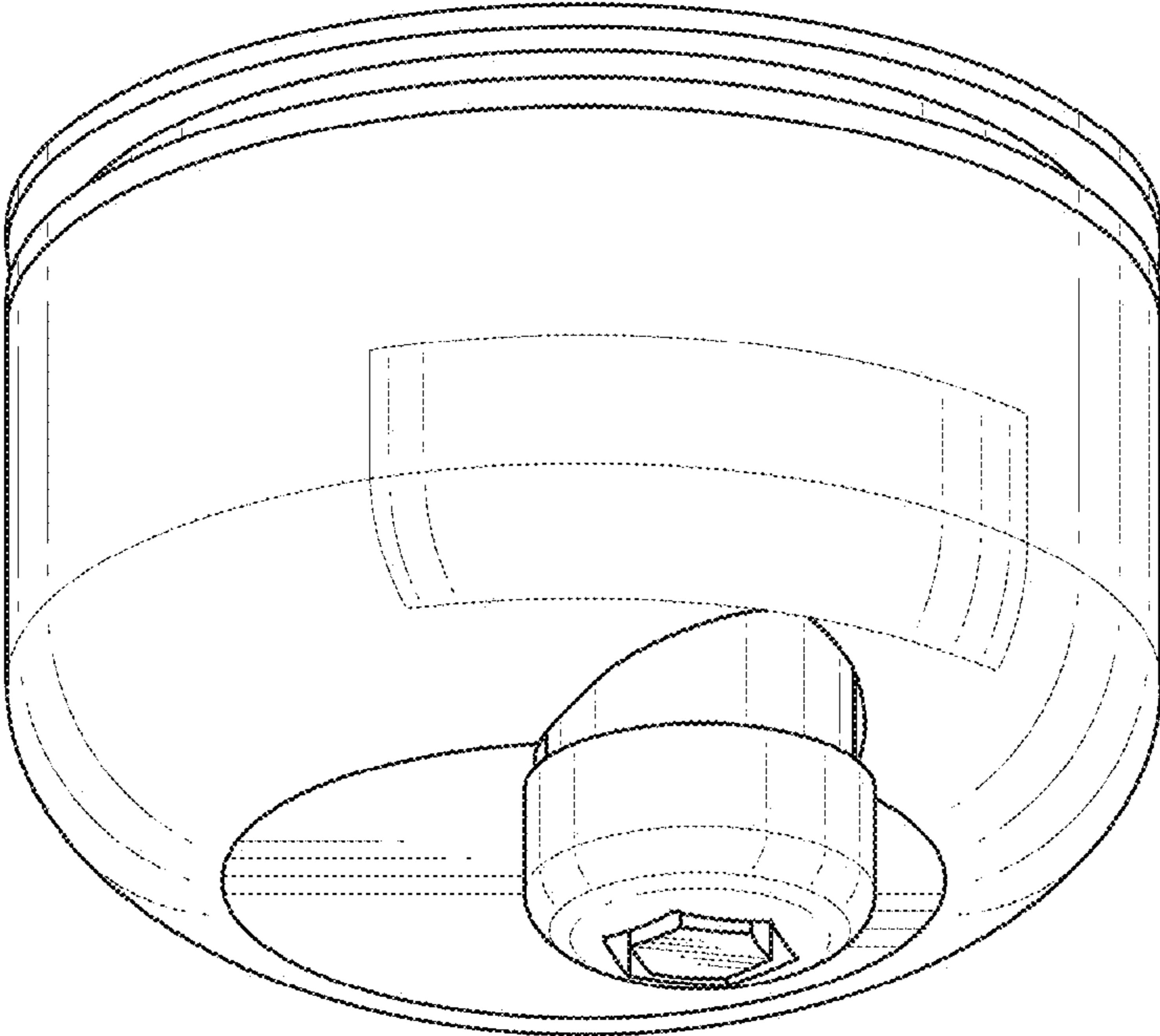


FIG. 1

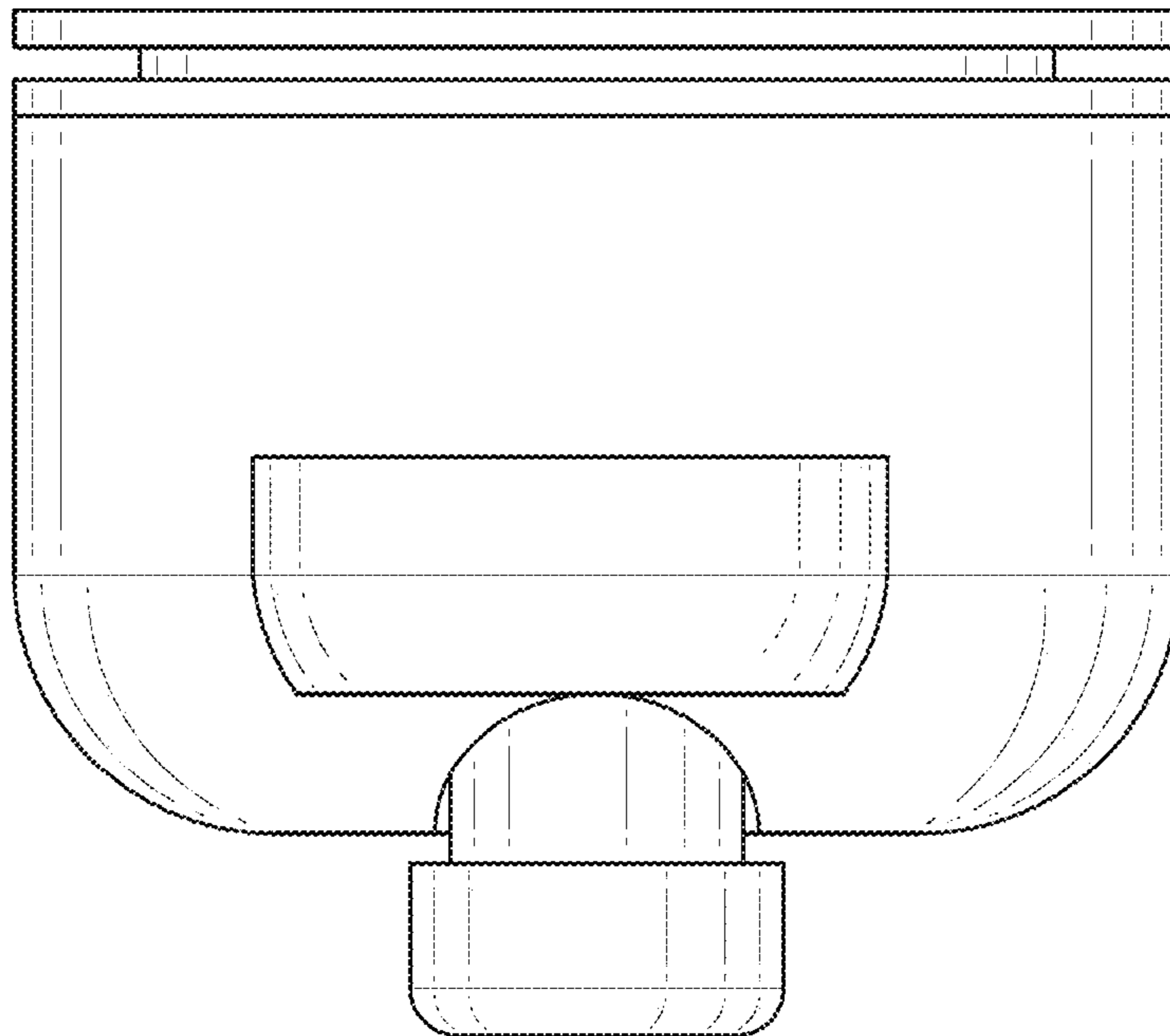


FIG. 2

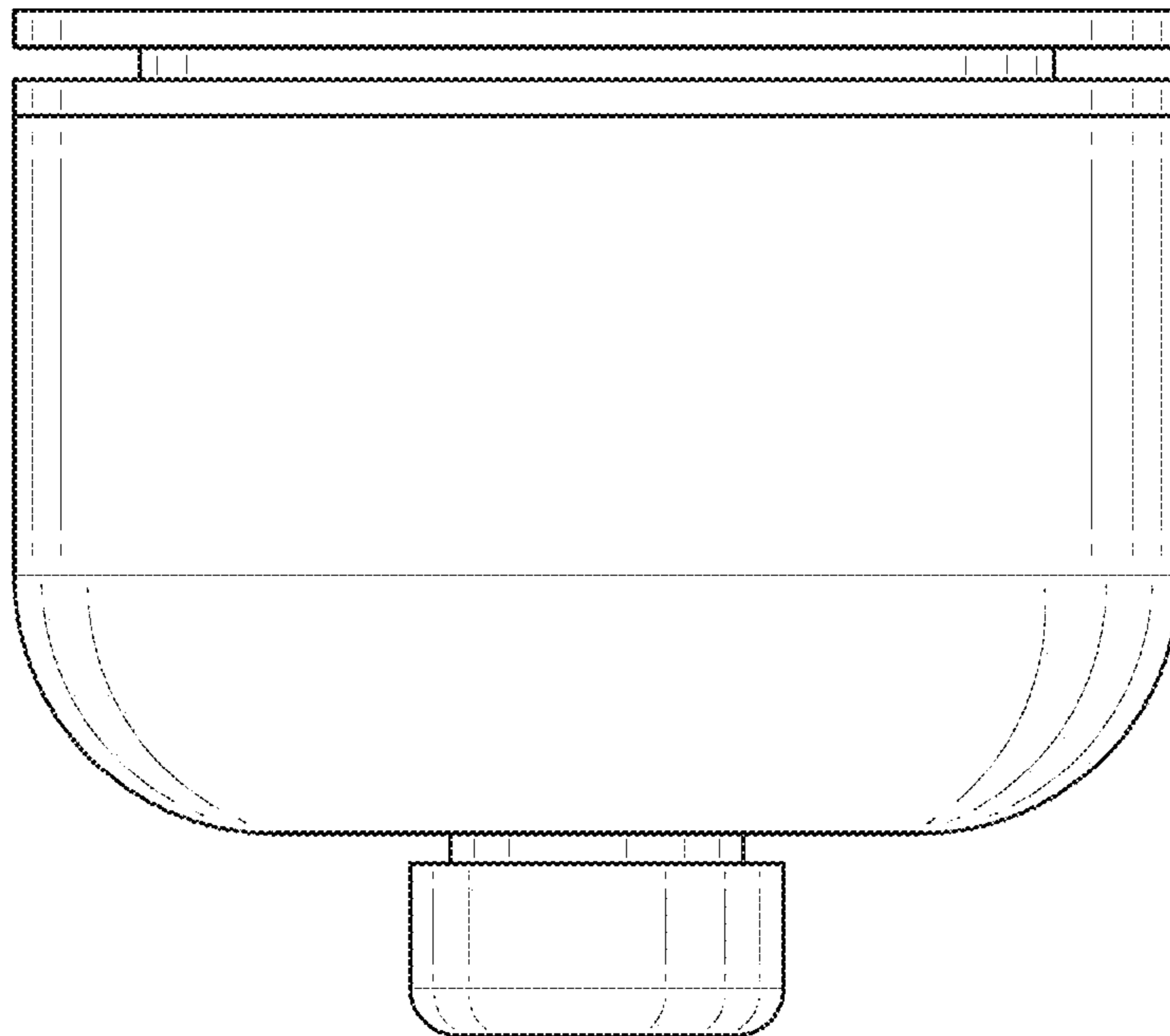


FIG. 3

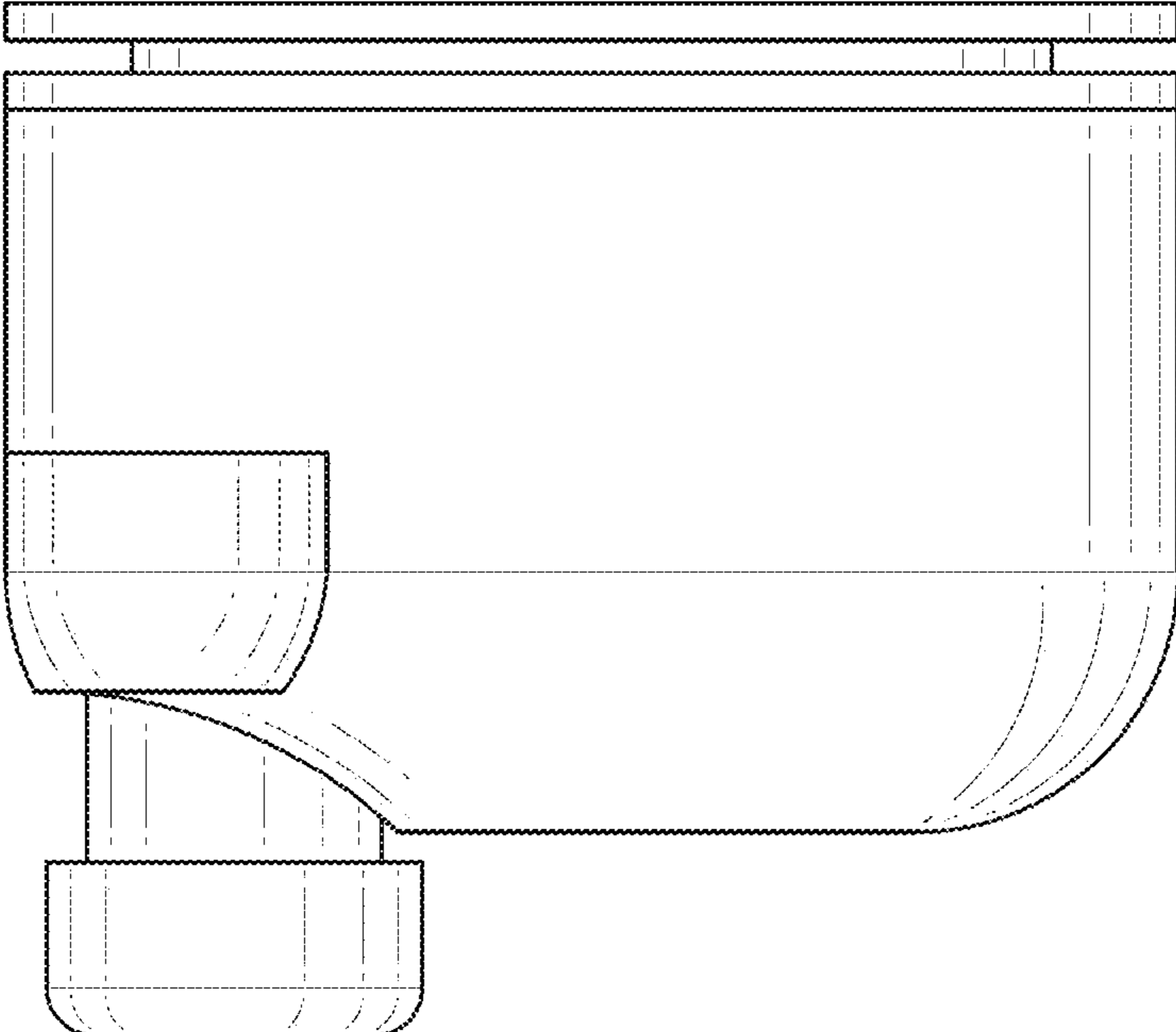


FIG. 4

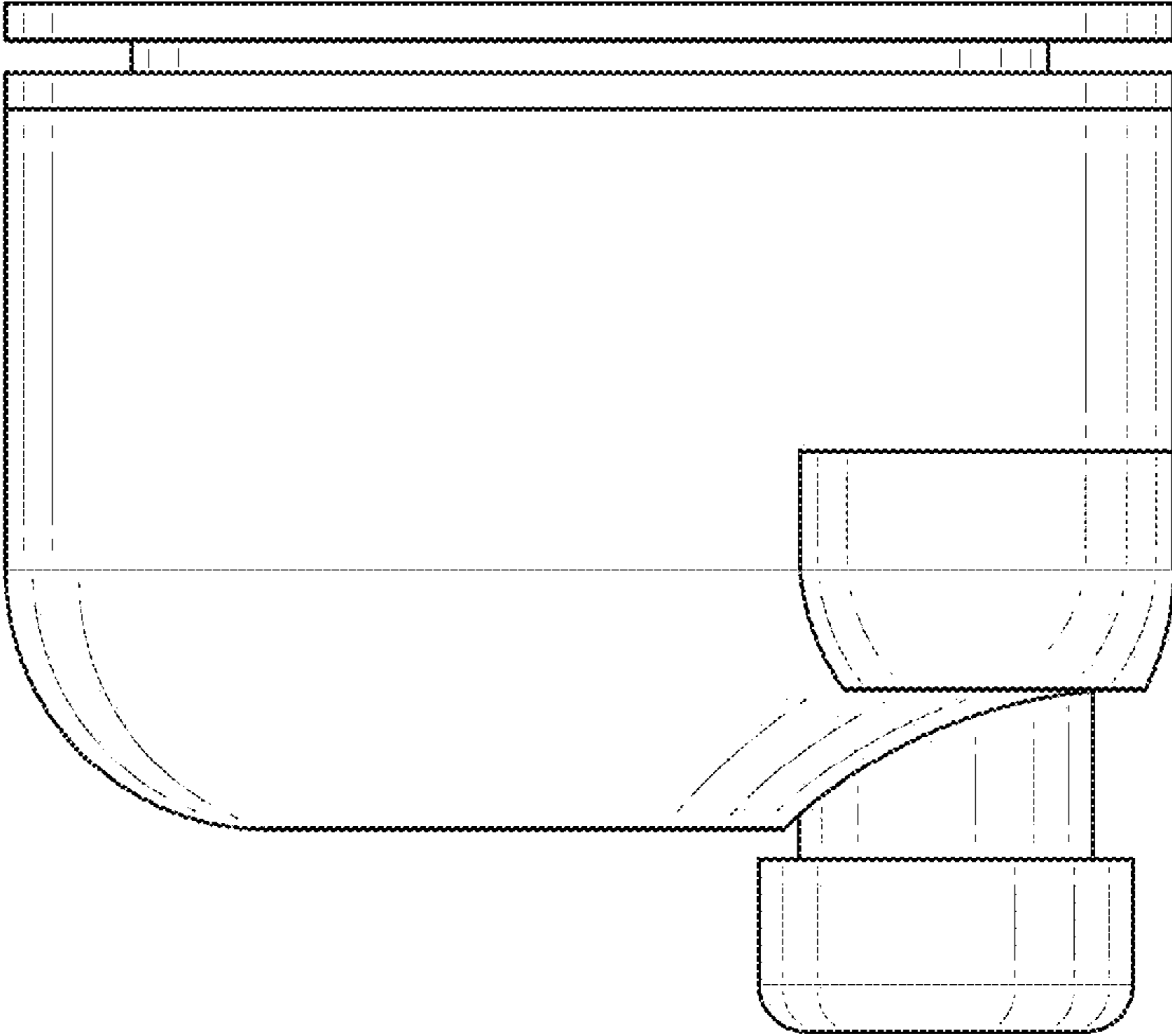


FIG. 5

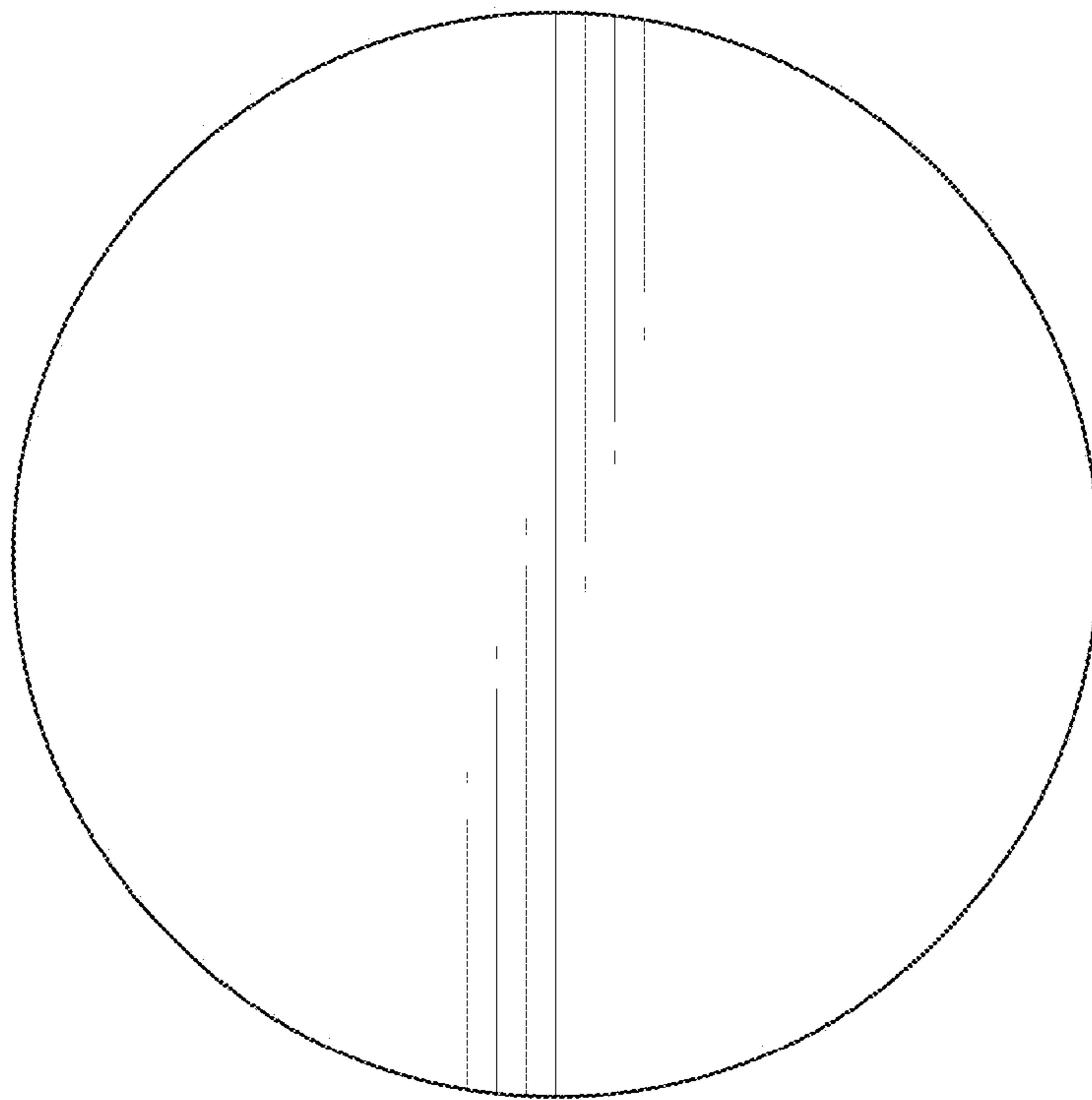


FIG. 6

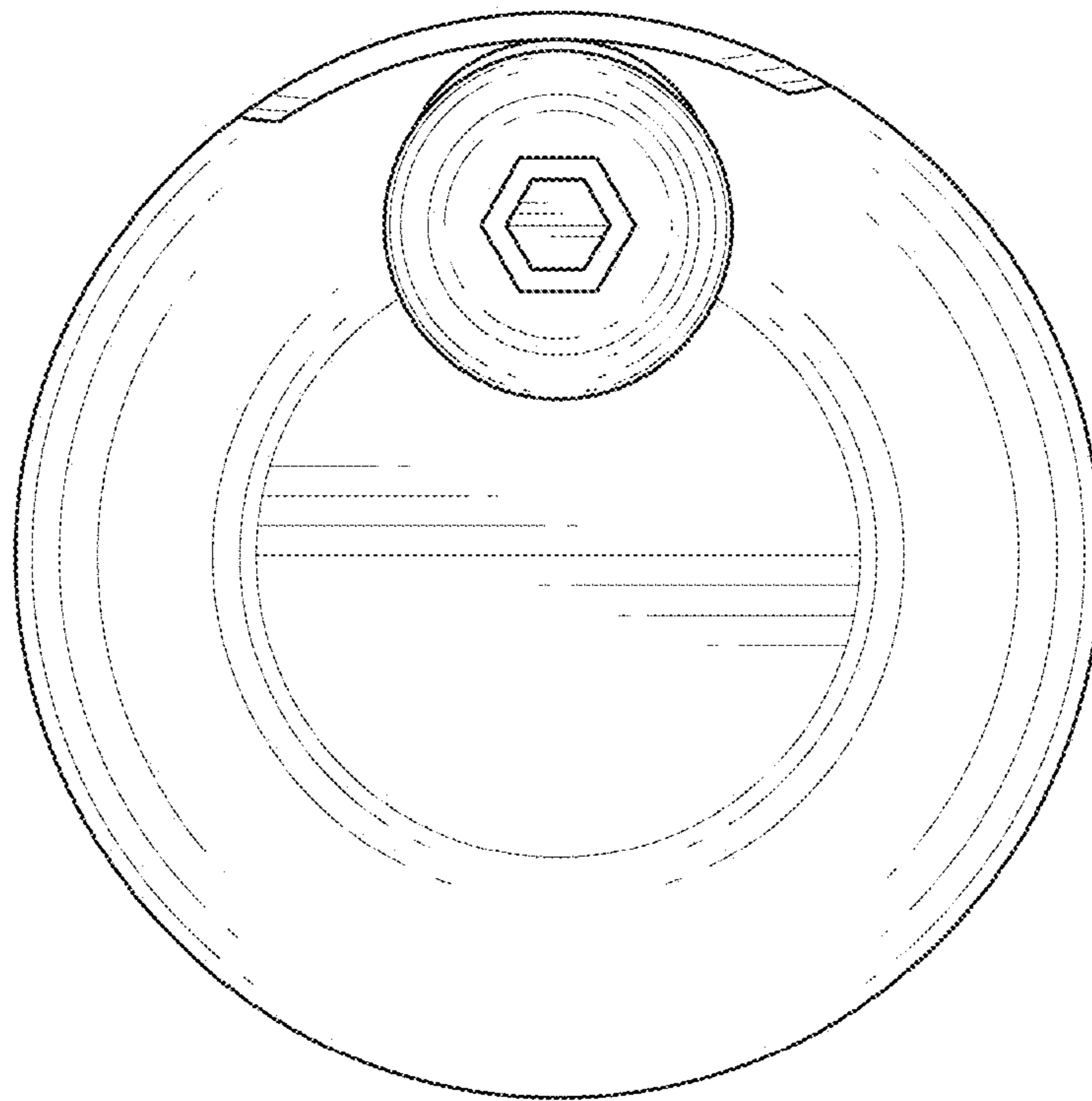


FIG. 7