

US00D951117S

(12) **United States Design Patent** (10) **Patent No.:** **US D951,117 S**
Fouts et al. (45) **Date of Patent:** **** May 10, 2022**

(54) **WEIGH SCALE TOY**

FOREIGN PATENT DOCUMENTS

(71) Applicant: **Lovevery, Inc.**, Boise, ID (US)

CN 3464354 * 10/2004
CN 3479702 * 10/2005

(72) Inventors: **Philip J. Fouts**, Boise, ID (US);
Jessica Thacher Crolick Rolph, Boise,
ID (US); **Thomas Creason Rigby**,
Boise, ID (US); **Stephen Blaise**
Lawless, Boise, ID (US)

(Continued)

(73) Assignee: **Lovevery, Inc.**, Boise, ID (US)

(**) Term: **15 Years**

(21) Appl. No.: **29/737,355**

(22) Filed: **Jun. 8, 2020**

(51) **LOC (13) Cl.** **10-04**

(52) **U.S. Cl.**
USPC **D10/90; D21/523**

(58) **Field of Classification Search**
USPC D10/83-93; D21/523, 524, 525
CPC G01G 21/28; G01G 21/00; G01G 19/414;
G01G 19/4144; G01G 19/42; G01G
23/166; G01G 21/30; G01G 23/3728;
G01G 23/3735; G01G 19/44; G01G 3/14;
G01G 19/46; G01G 19/48; G01G 19/50;
G01G 21/44; G01G 1/24; A61B 5/053;
A61B 5/4872; A61B 5/0537; A61B
5/4869; A61B 5/6825; A61B 5/6829;
A61B 5/7445; A61B 5/1072; G06Q
20/3678; G06Q 20/387; G06Q 20/065;
G06Q 20/36; G06Q 20/06; G06Q 20/208;
G09B 19/00; G16H 20/00; G16H 40/63;
F16F 1/123; A63F 9/26; A63F

(Continued)

(56) **References Cited**

U.S. PATENT DOCUMENTS

D221,164 S * 7/1971 Joslyn et al. D21/523
3,774,908 A * 11/1973 Greenberg A63F 9/26
273/459
D233,659 S * 11/1974 Dawn et al. D10/90

(Continued)

OTHER PUBLICATIONS

Hand2mind Store, Plastic Bucket Balance, Date first available Oct.
8, 2015, [online]retrieved Dec. 9, 2021, available from https://www.amazon.com/ETA-hand2mind-Primary-Balance-Teaching/dp/B016C3H2L8/ref=sr_1_1_sspa?keywords=toy+scale&qid=1638973144&sr=8-1-spons&psc=1&spLa=ZW5jcnlwdGVkUXVhbGlmaWVyPUEzMIBY (Year: 2015).*

(Continued)

Primary Examiner — Keli L Hill

Assistant Examiner — Sara S Sahneh

(74) *Attorney, Agent, or Firm* — Fish & Richardson P.C.

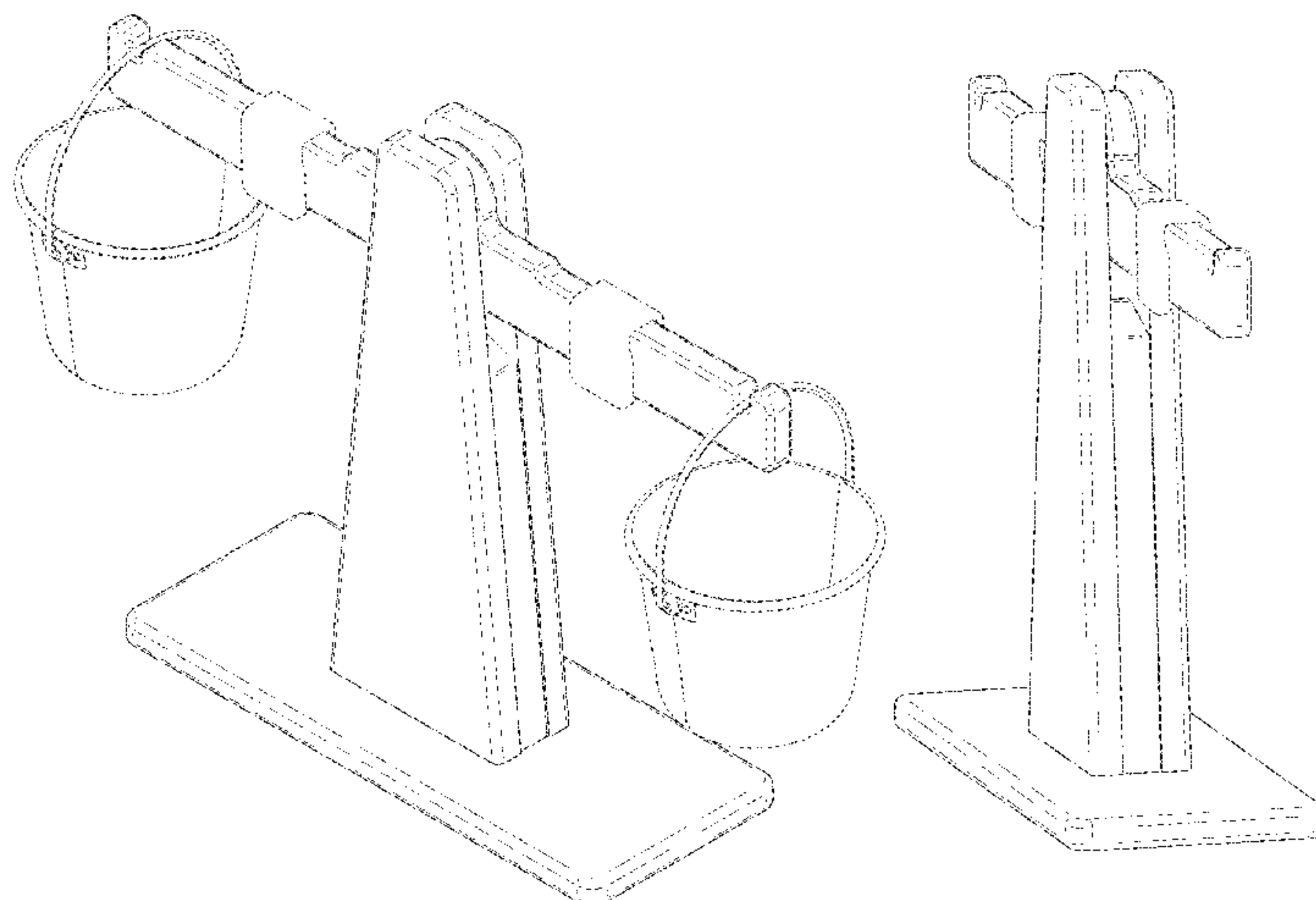
(57) **CLAIM**

The ornamental design for a weigh scale toy, as shown and described.

DESCRIPTION

FIG. 1 is a first perspective view of our weigh scale toy, shown in combination with unclaimed buckets.
FIG. 2 is a second perspective view thereof.
FIG. 3 is a front view thereof.
FIG. 4 is a back view thereof.
FIG. 5 is a right side view thereof.
FIG. 6 is a left side view thereof.
FIG. 7 is a top view thereof; and,
FIG. 8 is a bottom view thereof.
In some implementations, sliding sleeves are provided on the arms of the weigh scale toy, as illustrated by dashed line in FIGS. 1-7.
The broken lines shown are included for the purpose of illustrating portions of the weigh scale toy that form no part of the claimed design.

1 Claim, 6 Drawing Sheets



(58) **Field of Classification Search**
 CPC 2011/0016; A63F 2250/028; A63F 7/02;
 A63H 33/30; A44C 5/14
 See application file for complete search history.

(56) **References Cited**

U.S. PATENT DOCUMENTS

D241,631	S	*	9/1976	Gleason et al.	D10/90
D245,767	S	*	9/1977	Myers	D10/90
4,050,531	A	*	9/1977	Ashbrook	G01G 21/23 177/198
D379,315	S	*	5/1997	Woldenberg	D10/90
D443,840	S	*	6/2001	Ruban	D10/90
D570,720	S	*	6/2008	Lin	D10/90
D570,721	S	*	6/2008	Lin	D10/90
D611,375	S	*	3/2010	Lin	D10/90
D910,780	S	*	2/2021	Huang	D21/523
2015/0233754	A1	*	8/2015	Pedneault	G01G 1/20 177/190

FOREIGN PATENT DOCUMENTS

CN	305360905	*	4/2019
CN	306420479	*	10/2020
KR	300474857.0000	*	4/2007

OTHER PUBLICATIONS

Hand2mind Store, Blue Nestable Pan Balance, Date first available Dec. 22, 2020, [online]retrieved Dec. 9, 2021, available from https://www.amazon.com/hand2mind-Nestable-Balance-Assemble-Classroom/dp/B08R6C44HC/ref=bx_dp_86315slo_4/134-5564337-2927451?pd_rd_w=BtBTX&pf_rd_p=862b4b8b-7a18-40e3-a54d-9d43f8d (Year: 2020).*

Learning Resources Store, Primary Bucket Balance Teaching Scale, Date first available Jun. 6, 2007, [online]retrieved, available from https://www.amazon.com/dp/B000296LRK/ref=sspa_dk_detail_8?spLa=ZW5jcnlwdGVkUXVhbGlmaWVyPUFJSDFESE8zRkVXSVMZ W5jcnlwdGVkSWQ9QTA1OTk2MzYzTEo1VFM3MUIEwK44JmVuY3J5cHRlZEFkSWQ (Year: 2007).*

Learning Resources Store, Pan Balance, Date first available Feb. 13, 2005, [online]retrieved Dec. 9, 2021, available from https://www.amazon.com/dp/B0006PKZ68/ref=sspa_dk_detail_6?psc=1p13NParams&spLa=ZW5jcnlwdGVkUXVhbGlmaWVyPUFJSDFESE8zRkVXSVMZ W5jcnlwdGVkSWQ9QTA1OTk2MzYzTEo1VFM3MUIEwK44JmVuY3J5cHRlZEFkSWQ (Year: 2005).*

* cited by examiner

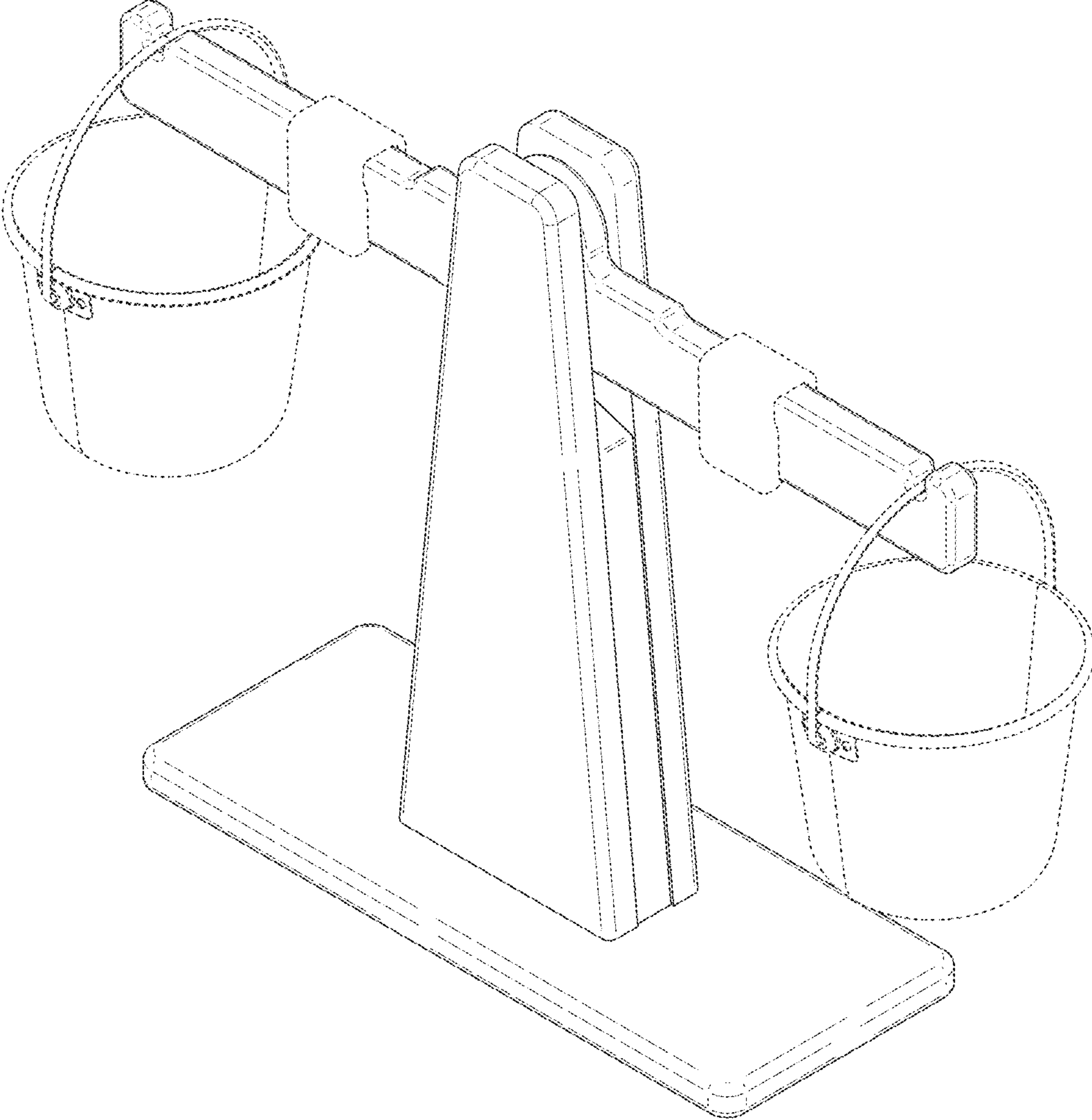


FIG. 1

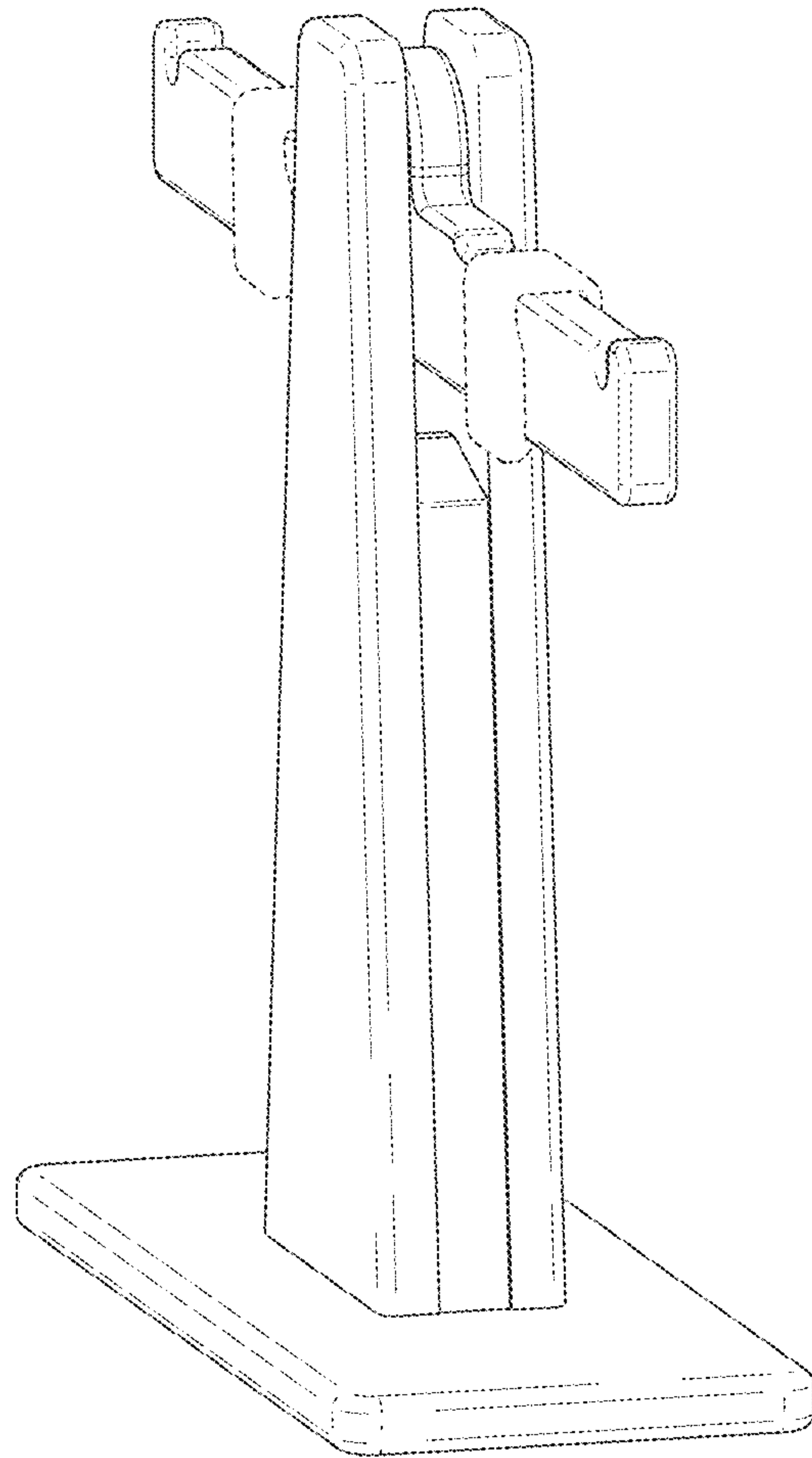


FIG. 2

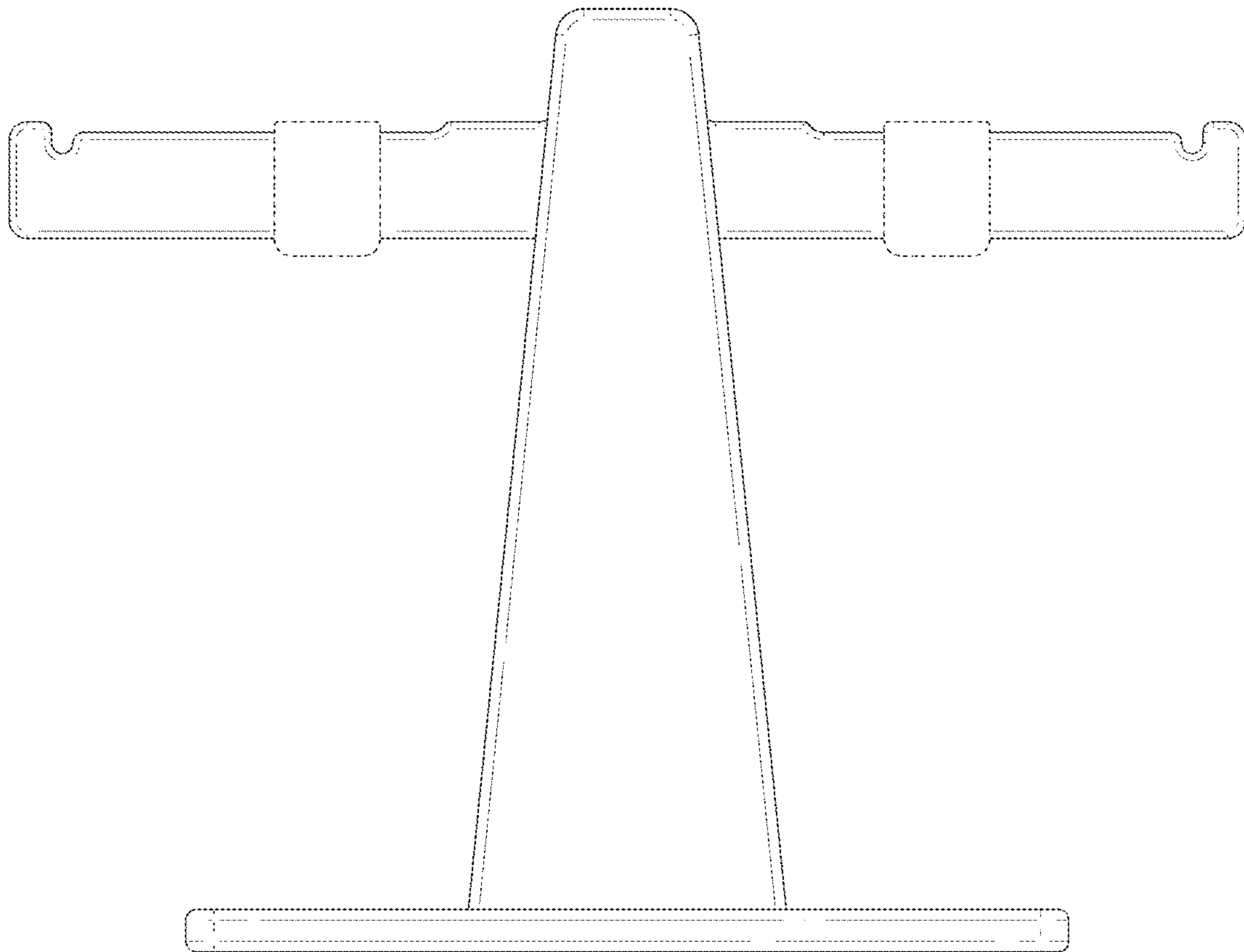


FIG. 3

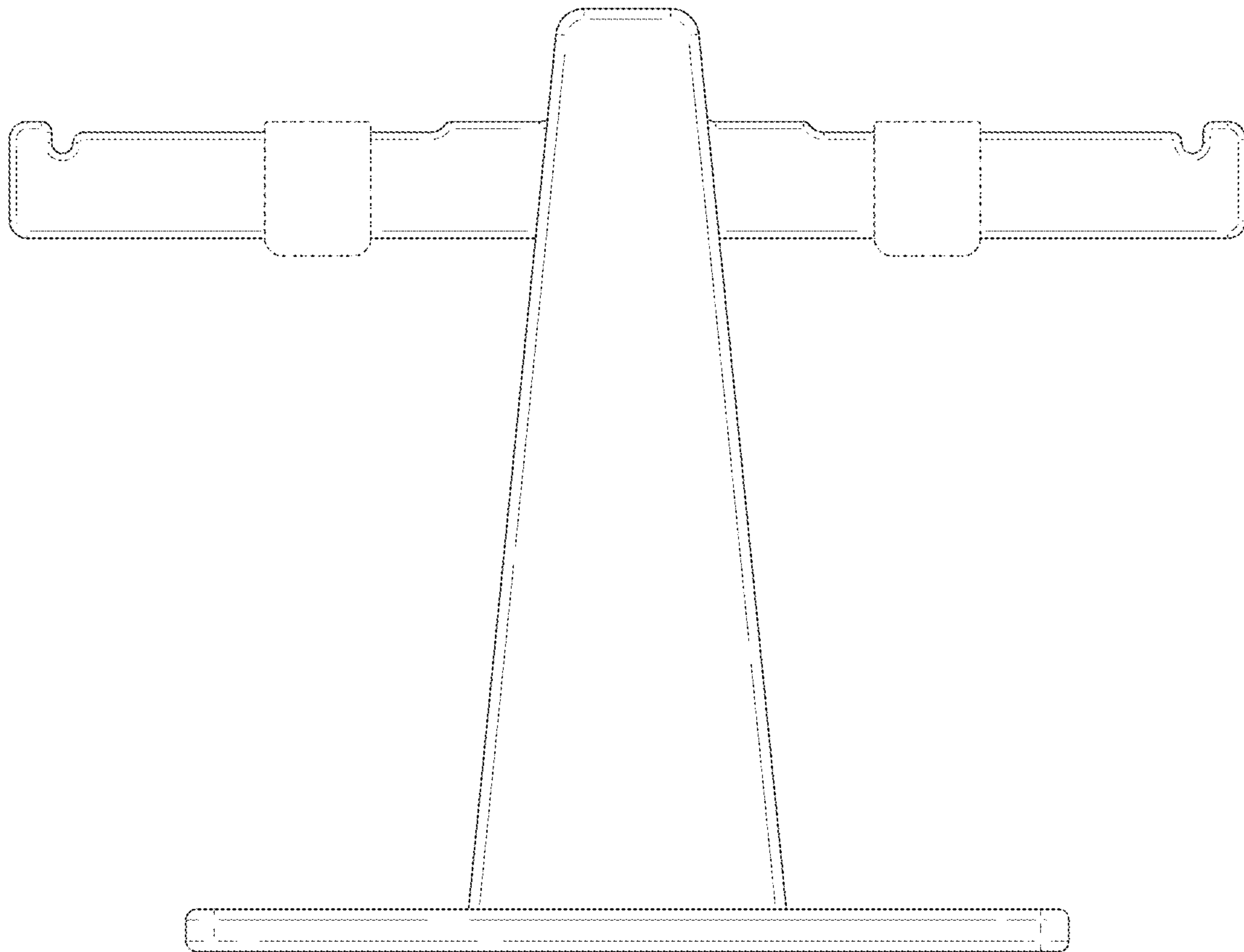


FIG. 4

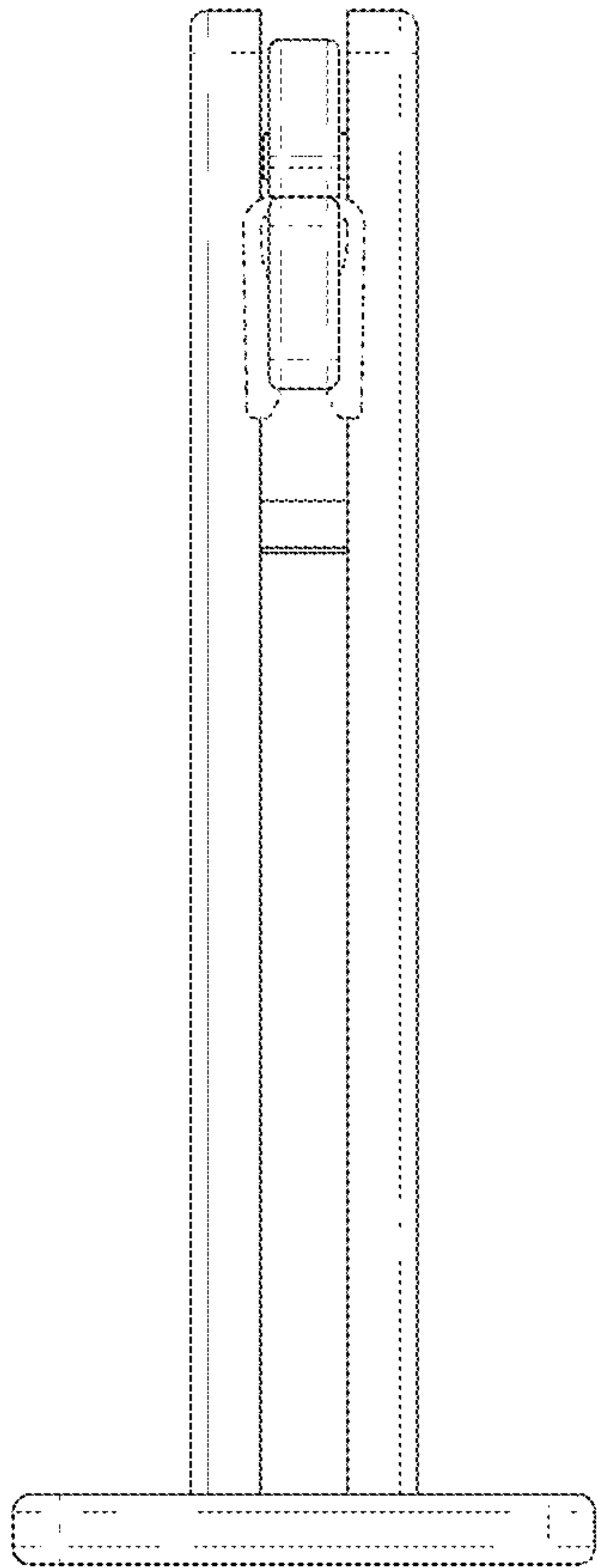


FIG. 5

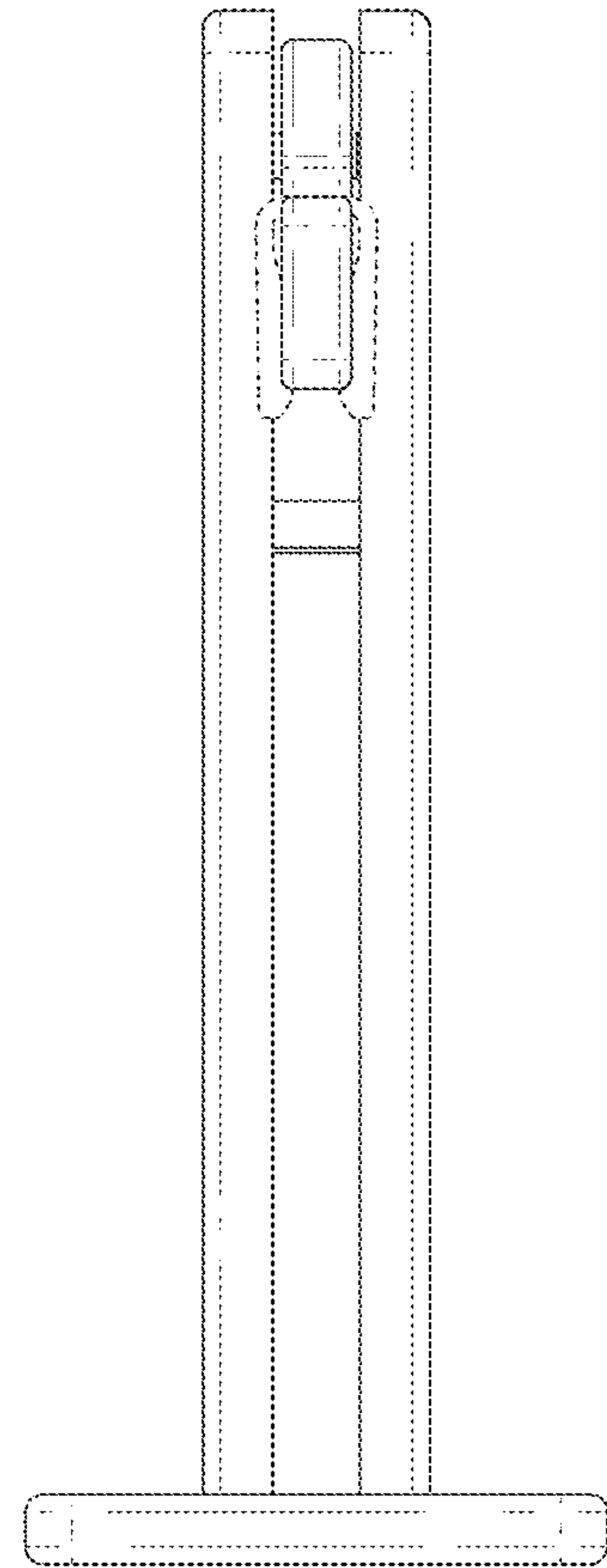


FIG. 6

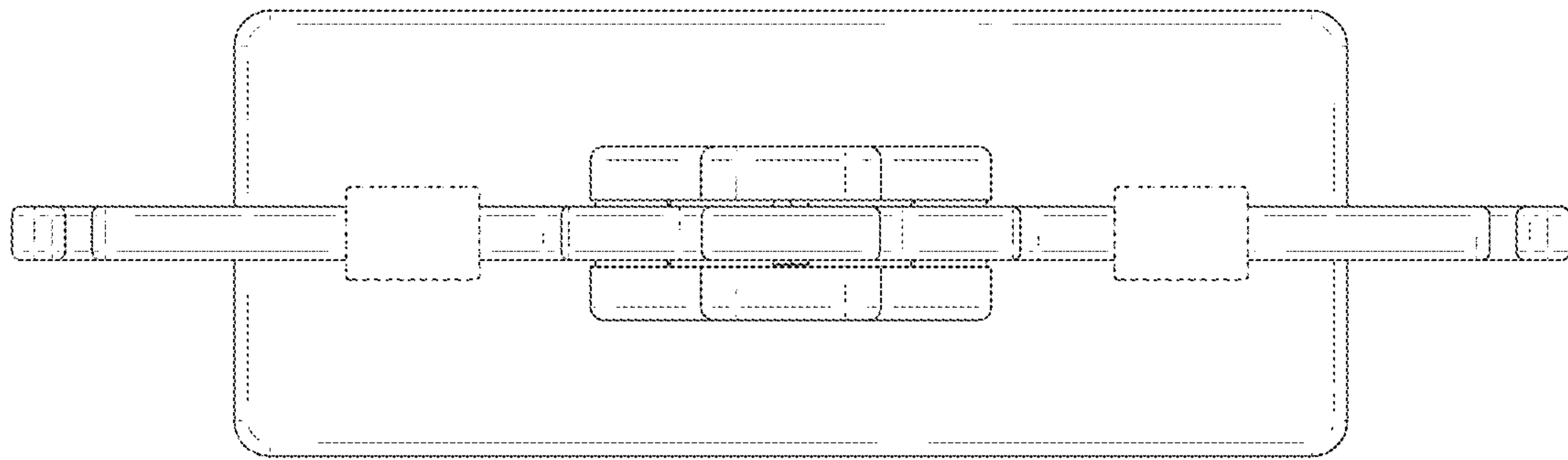


FIG. 7

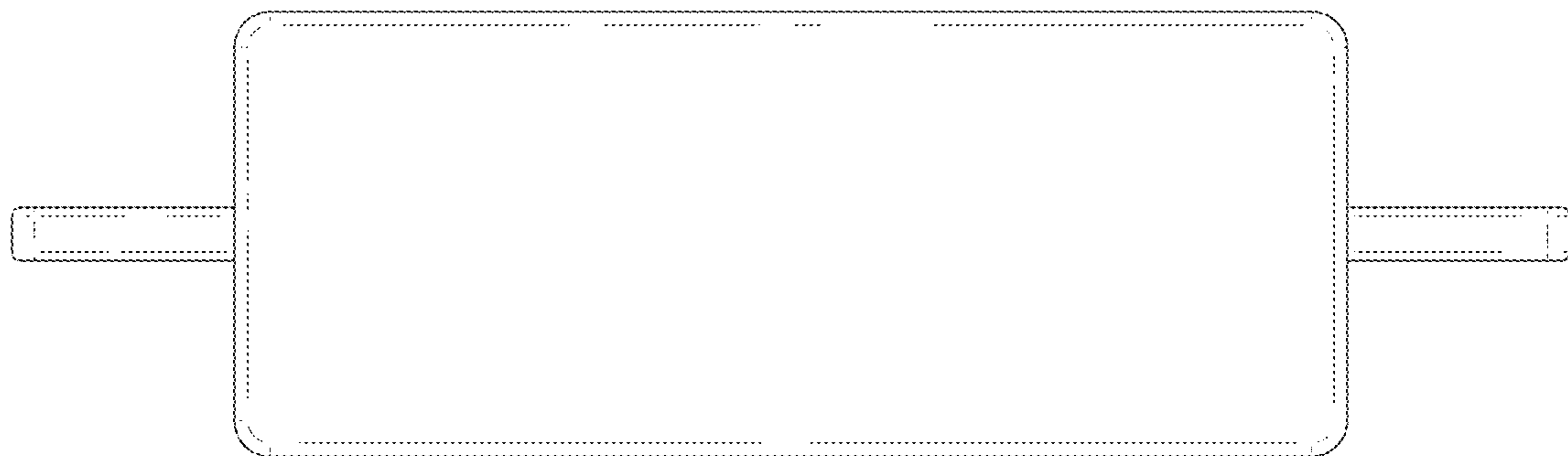


FIG. 8