



US00D951113S

(12) **United States Design Patent** (10) **Patent No.:** **US D951,113 S**
Gao (45) **Date of Patent:** **** May 10, 2022**

(54) **RADAR**

(71) Applicant: **AUTEL INTELLIGENT TECHNOLOGY CORP., LTD.**,
Guangdong (CN)

(72) Inventor: **Ming Gao**, Guangdong (CN)

(73) Assignee: **AUTEL INTELLIGENT TECHNOLOGY CORP., LTD.**,
Shenzhen (CN)

(**) Term: **15 Years**

(21) Appl. No.: **29/774,380**

(22) Filed: **Mar. 16, 2021**

(30) **Foreign Application Priority Data**

Sep. 28, 2020 (CN) 202030585564.2

(51) **LOC (13) Cl.** **10-05**

(52) **U.S. Cl.**
USPC **D10/65**; D10/78; D13/133

(58) **Field of Classification Search**
USPC D10/96-103, 61, 65-80; D13/199, 164,
D13/102, 108, 107, 133, 147; D14/383,
D14/357

CPC G01R 31/3646; G01R 31/385; G01R
31/364; G01R 1/04; G01R 31/36; G01R
31/3689; G01R 31/371; G01R 31/006;
G01R 31/007; G01R 5/00; G01R 7/00;
G01R 17/00; G01R 19/00; G01R 21/00;
G01R 22/00; G01R 23/00; G01R 25/00;
G01R 27/00; G01R 15/12; G01R 15/181;
G01R 15/186; H01M 10/4285; H01R
11/11; H01R 12/57; H01R 2201/26;
H01R 13/6275; H01R 13/639; Y02E
60/10; Y02E 10/72; C02F 1/008; C02F
2201/326; C02F 2209/001; C02F
2209/006; C02F 2209/008; H05K 5/0247;
G07C 5/02; G07C 5/00; G07C 5/12;
G07C 5/08; G07C 2205/02; G07C
5/0808; G07C 5/0825; H02J 9/061;

(Continued)

(56) **References Cited**

U.S. PATENT DOCUMENTS

D571,241 S * 6/2008 Andreasen D10/78
D709,836 S * 7/2014 Casagrande D13/156

(Continued)

FOREIGN PATENT DOCUMENTS

CN 305945983 * 3/2020
CN 305911589 * 4/2020

(Continued)

OTHER PUBLICATIONS

Autel Store, Vehicle Diagnostic Connector, Date first available Dec. 30, 2020, [online]retrieved Mar. 4, 2022, available from https://www.amazon.com/Autel-MaxiSYS-VCI100-Communication-Diagnostic/dp/B09D3SHFKS/ref=sr_1_73?crd=2DOWSYV71GNOS&keywords=vehicle+diagnostic+scanner&qid=1646429177&srefix=VEHI (Year: 2020).*

(Continued)

Primary Examiner — Keli L Hill

Assistant Examiner — Sara S Sahneh

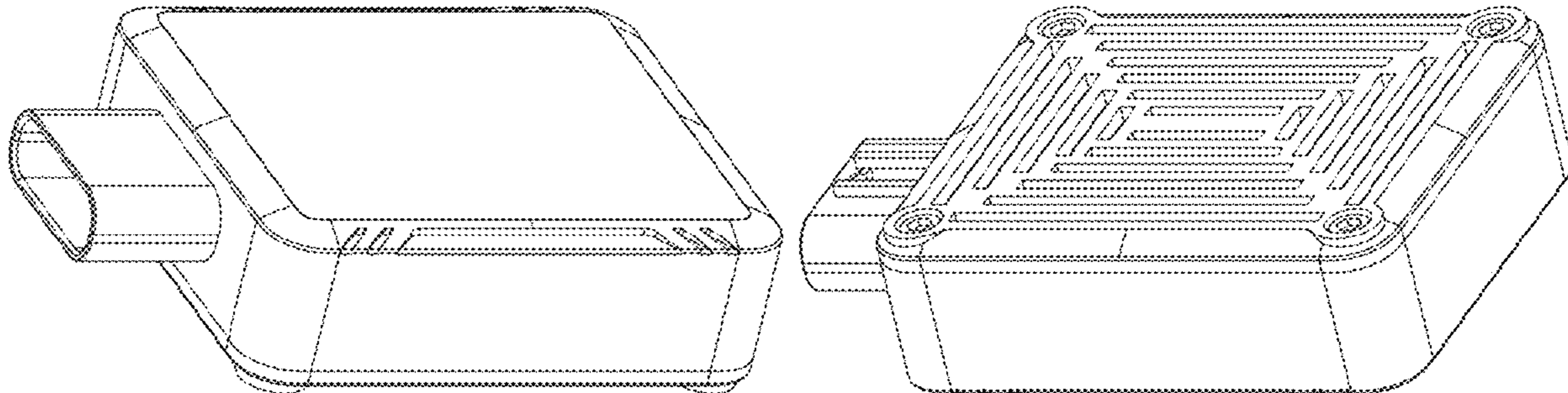
(57) **CLAIM**

The ornamental design for a radar, as shown and described.

DESCRIPTION

FIG. 1 is a front elevational view of a radar showing our new design;
FIG. 2 is a back elevational view thereof;
FIG. 3 is a left side elevational view thereof;
FIG. 4 is a right side elevational view thereof;
FIG. 5 is a top plan view thereof;
FIG. 6 is a bottom plan view thereof;
FIG. 7 is a first perspective view thereof; and,
FIG. 8 is a second perspective view thereof.

1 Claim, 5 Drawing Sheets



(58) **Field of Classification Search**

CPC H02J 1/06; H02J 1/08; H02J 1/10; B60R 1/00; B60R 3/00; B60R 13/00; B60R 15/00; B60R 16/023; B60R 16/00; B60R 16/005; G01C 21/16; G01C 25/00; G01M 15/02

See application file for complete search history.

EM	008305593-0003	* 12/2020
EM	008415228-0002	* 1/2021
EM	008859896-0001	* 2/2022

(56) **References Cited**

U.S. PATENT DOCUMENTS

D742,379	S	*	11/2015	Haidar	D14/383
D766,116	S	*	9/2016	Jaite	D10/78
D771,573	S	*	11/2016	Lowchareonkul	D13/156
D826,864	S	*	8/2018	Hoffart	D13/147
D856,178	S	*	8/2019	Hou	D13/133
D865,639	S	*	11/2019	Adams, III	D12/400
D918,075	S	*	5/2021	Shu	D10/78
D923,499	S	*	6/2021	Lee	D10/78
D942,289	S	*	2/2022	Shen	D10/78
2016/0226189	A1	*	8/2016	Simonazzi	H01R 13/639
2017/0115132	A1	*	4/2017	Lin	B60R 16/023

FOREIGN PATENT DOCUMENTS

CN	306296643	*	8/2020
CN	306577755	*	6/2021

OTHER PUBLICATIONS

Autel Store, Wireless OBDII Scan Tool with ABS, Date first available Jul. 4, 2020, [online]retrieved Mar. 4, 22,available from https://www.amazon.com/Autel-AP200C-Wireless-Diagnostics-Throttle/dp/B08CC35FFM/ref=psdc_15707381_t2_B09D3SHFKS (Year: 2020).*

Toretas, OBD2 Scanner Bluetooth, Date first available Jan. 4, 2022, [online]retrieved Mar. 4, 2022,available from [https://www.amazon.com/dp/B09PN845J7/ref=sspa_dk_detail_5?pd_rd_i=B09PN845J7&pd_rd_w=ulzm0&pf_rd_p=b9951ce4-3bd8-4b04-9123-0fda35d6155e&pd_rd_wg=8xoEv&pf_rd_r=00PEV16CD324W5YZ4FBX&pd_rd_r=\(Year: 2022\).](https://www.amazon.com/dp/B09PN845J7/ref=sspa_dk_detail_5?pd_rd_i=B09PN845J7&pd_rd_w=ulzm0&pf_rd_p=b9951ce4-3bd8-4b04-9123-0fda35d6155e&pd_rd_wg=8xoEv&pf_rd_r=00PEV16CD324W5YZ4FBX&pd_rd_r=(Year: 2022).)*

NEXAS,Scanner Code Reader, Date first available Jul. 31, 2020, [online]retrieved Mar. 4, 2022,available from https://www.amazon.com/NEXAS-NexLink-Bluetooth-Diagnostic-Enhanced/dp/B08BPC179W/ref=sr_1_24?crd=1V2G8DR6JFGDZ&keywords=VEHICLE+DIAGNOSTIC+SLAVE+TOOL&qid=1646428969&sprefix=vehicle+diagnostic+sla (Year: 2020).*

* cited by examiner

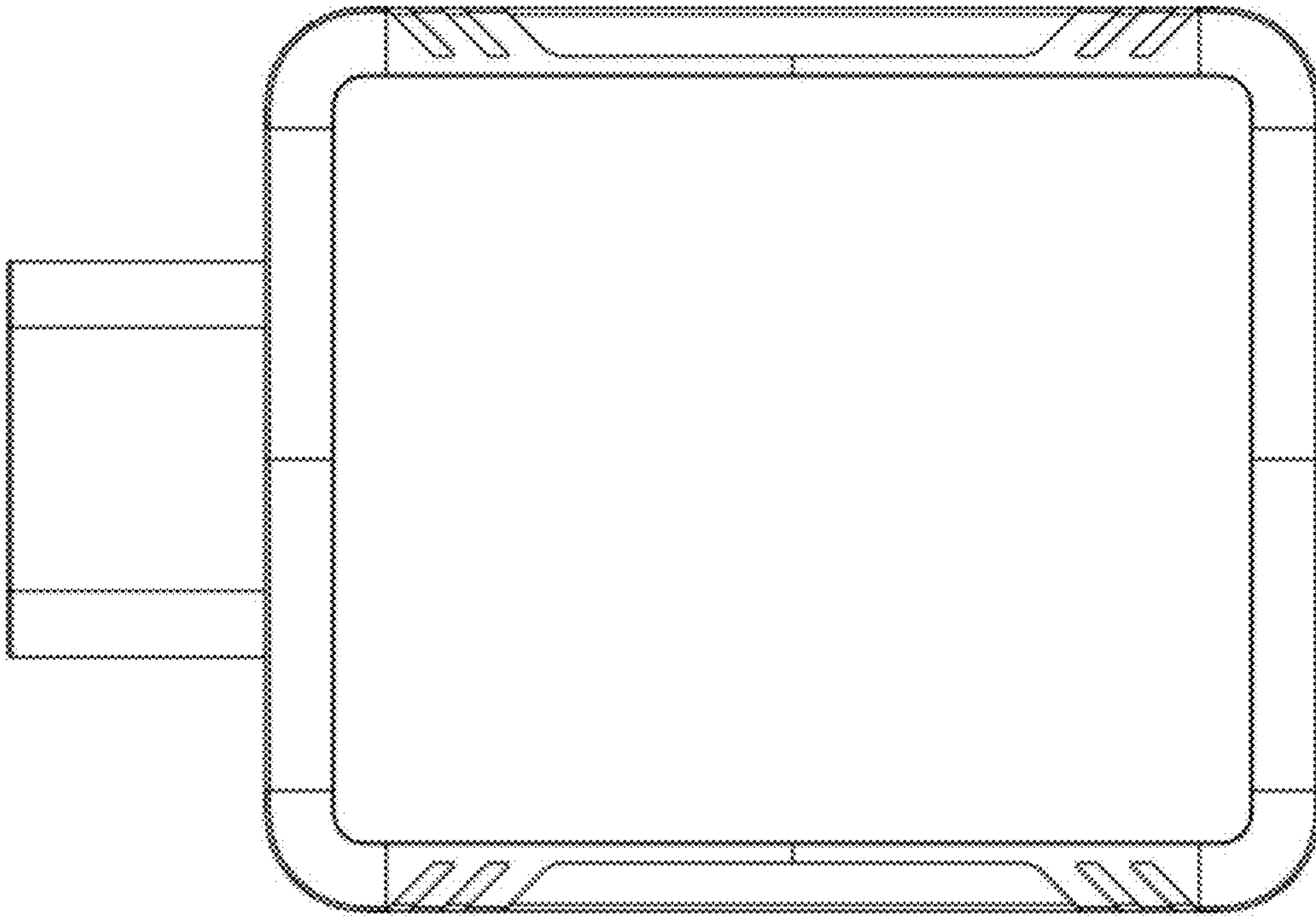


FIG.1

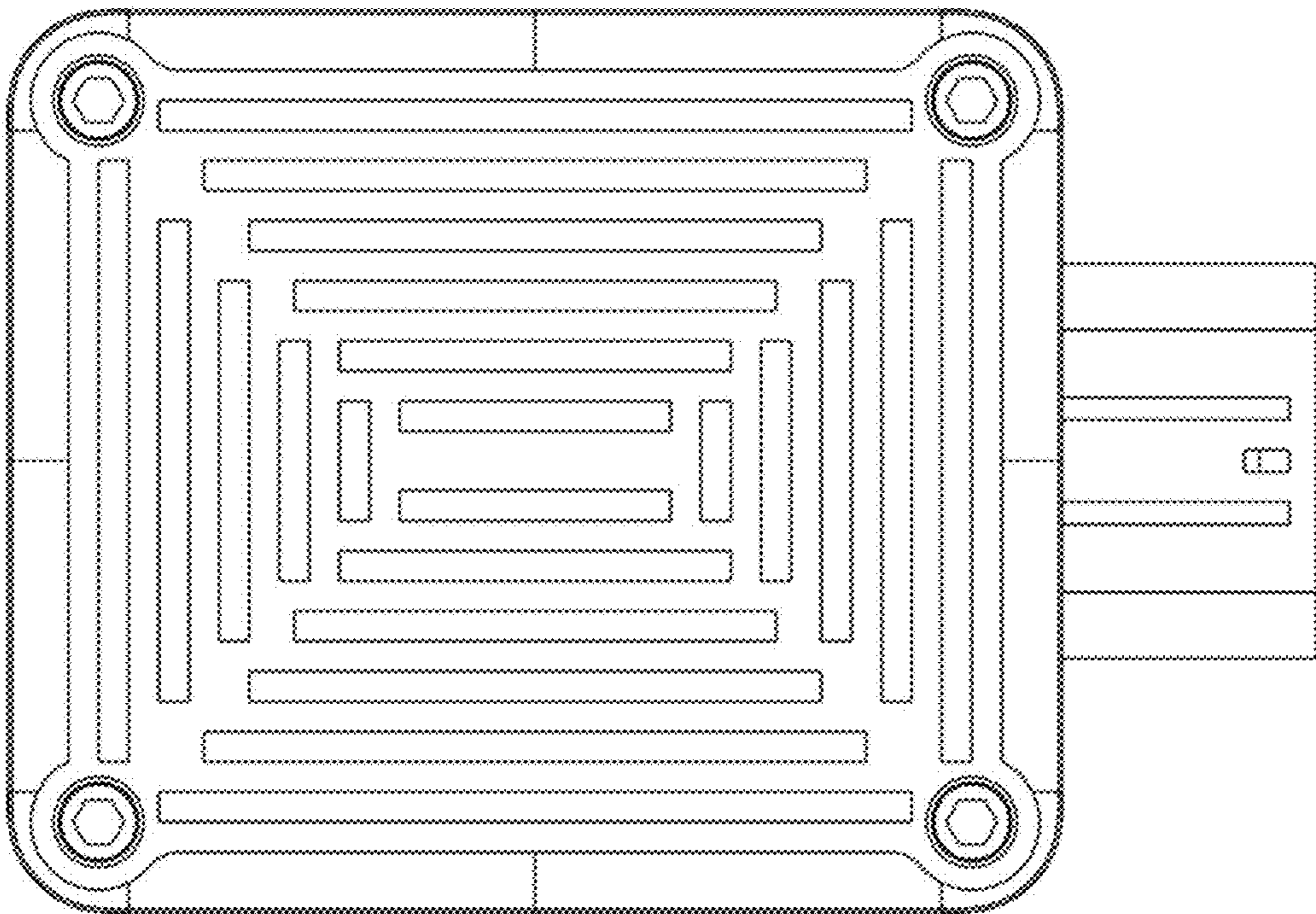


FIG.2

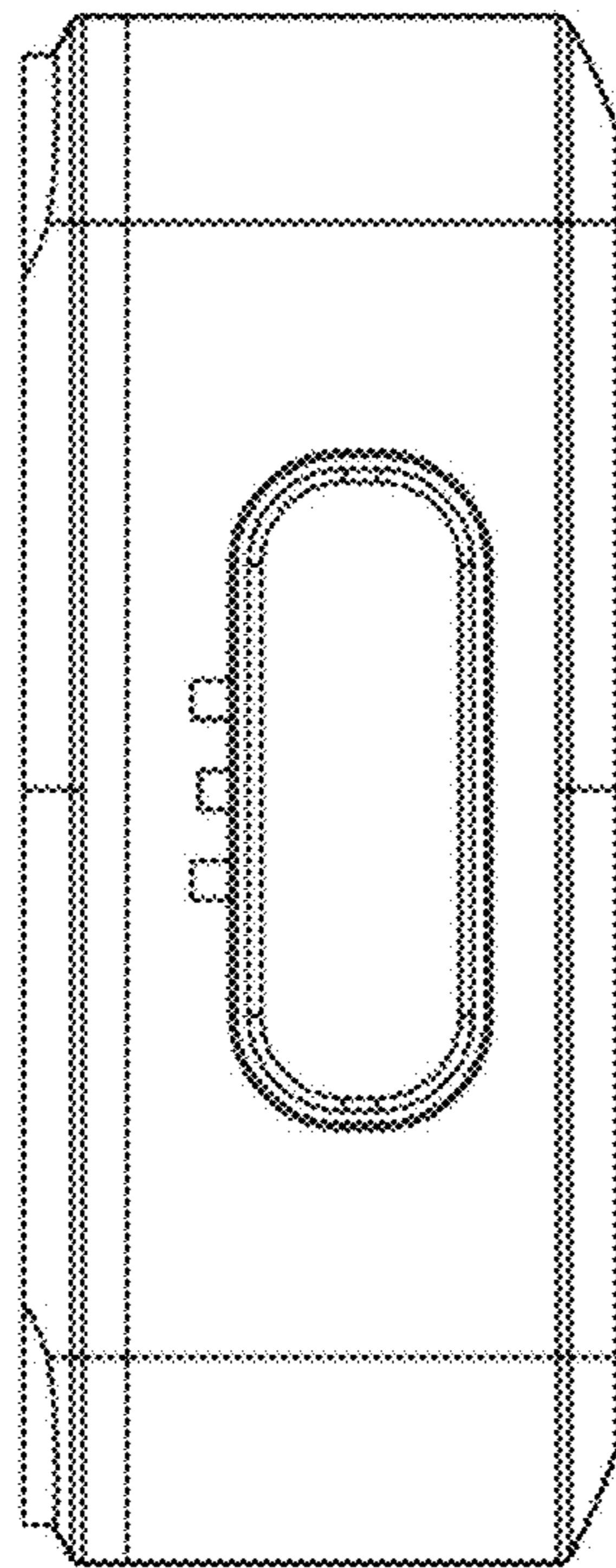


FIG.3

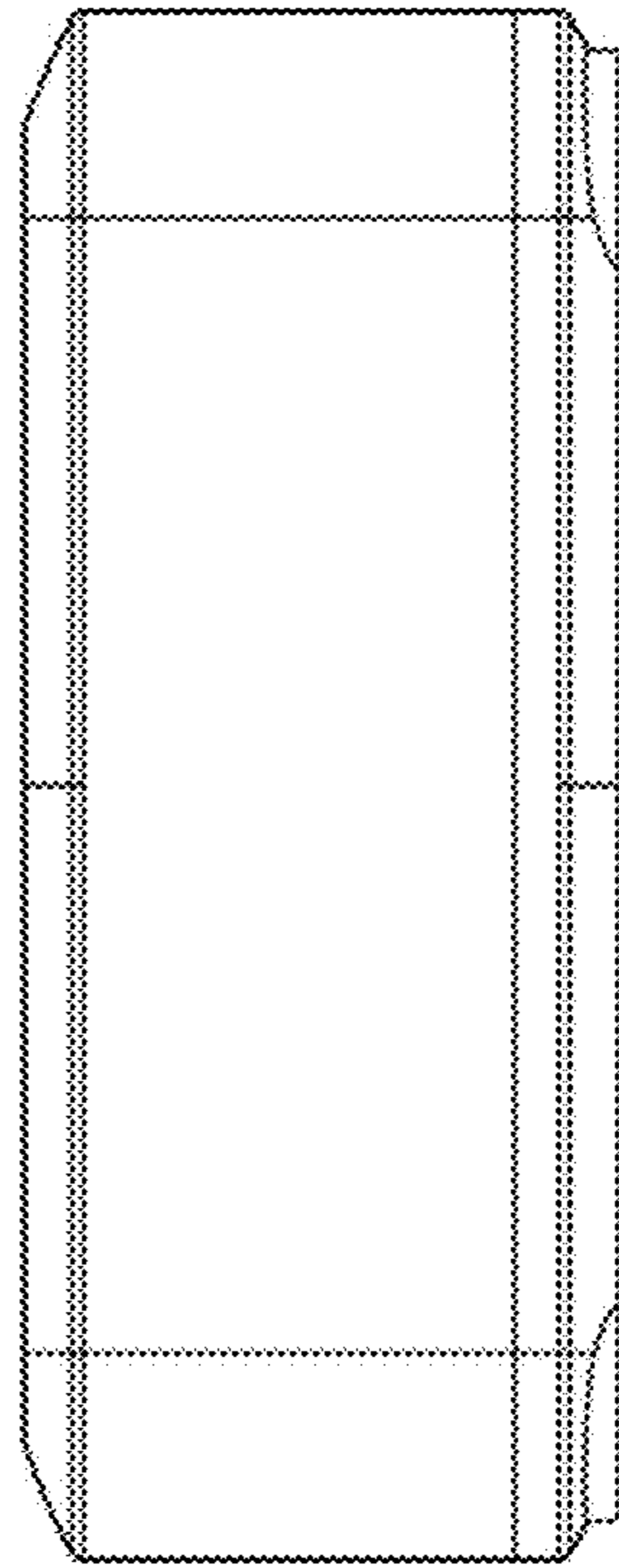


FIG. 4

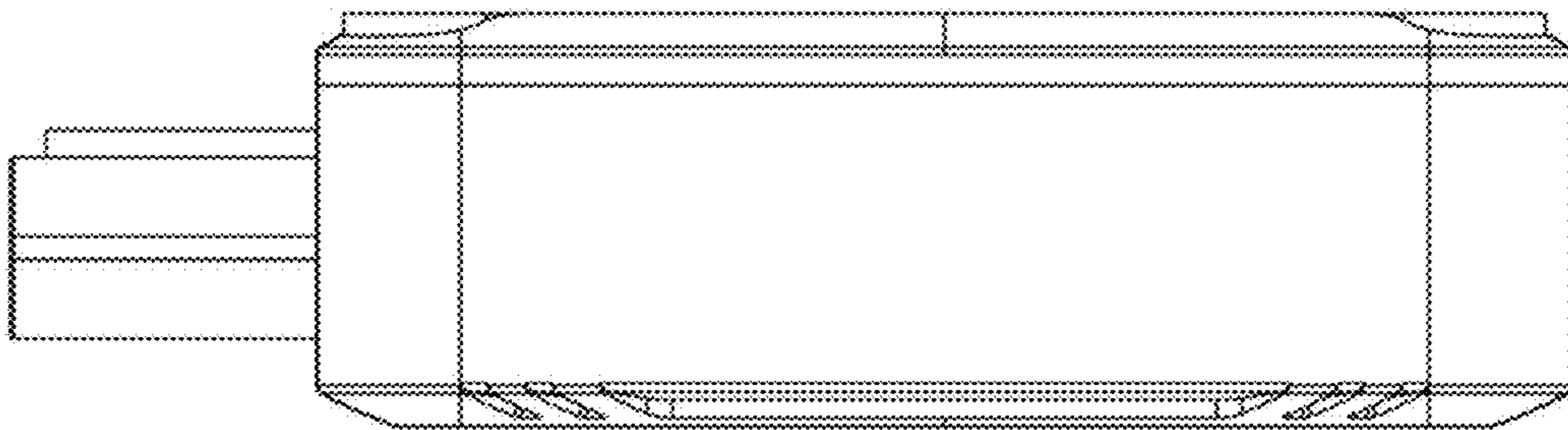


FIG. 5

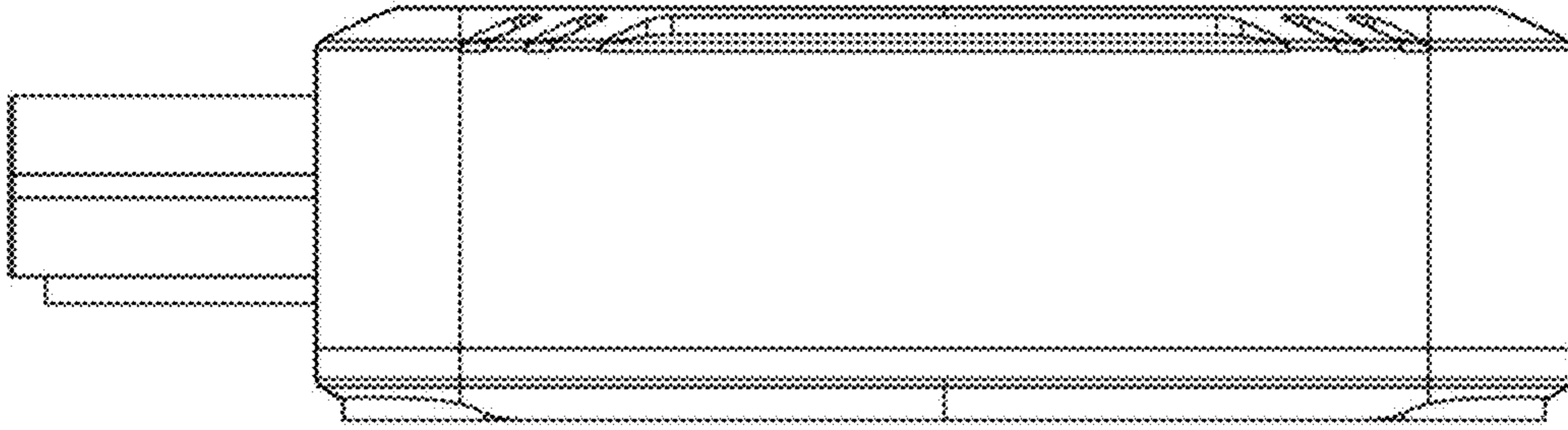


FIG.6

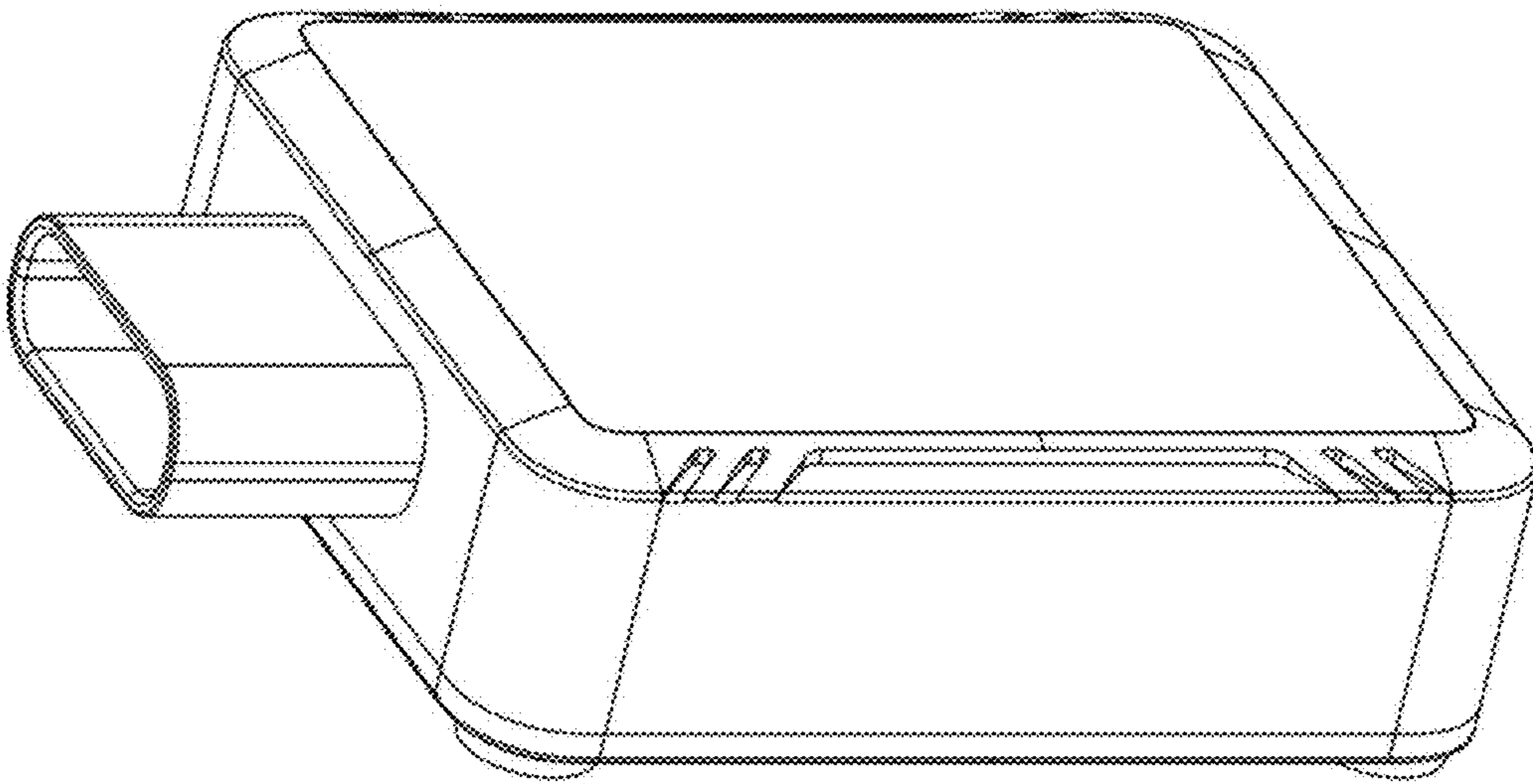


FIG.7

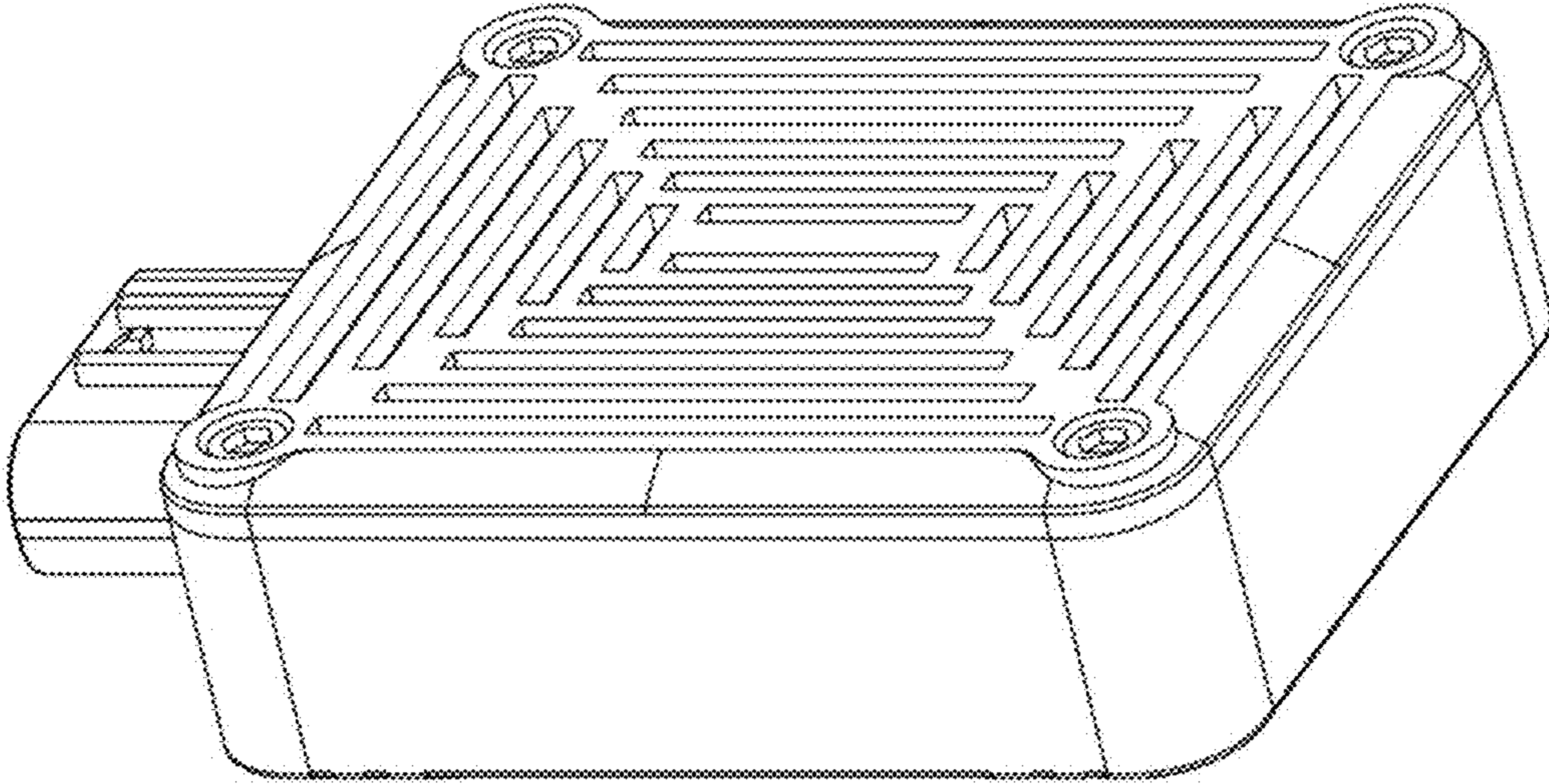


FIG.8