



US00D951111S

(12) **United States Design Patent**
Yu et al.

(10) **Patent No.:** **US D951,111 S**

(45) **Date of Patent:** **** May 10, 2022**

(54) **THERMOMETER**

(71) Applicant: **SHENZHEN QIANHAI PATUOXUN NETWORK AND TECHNOLOGY CO., LTD.**, Shenzhen (CN)

(72) Inventors: **Cui Yu**, Shenzhen (CN); **Sheng Ou**, Shenzhen (CN)

(73) Assignee: **SHENZHEN QIANHAI PATUOXUN NETWORK AND TECHNOLOGY CO., LTD.**, Shenzhen (CN)

(**) Term: **15 Years**

(21) Appl. No.: **29/783,646**

(22) Filed: **May 14, 2021**

(51) **LOC (13) Cl.** **10-04**

(52) **U.S. Cl.**
USPC **D10/57**

(58) **Field of Classification Search**
USPC D10/81
CPC G01K 1/02; G01K 1/022; G01K 1/024;
G01K 1/08; G01K 1/083; G01K 1/086;
G01K 3/00-3/14; G01K 2003/145; G01K
13/002; G01K 13/004; G01K 2219/00;
G01K 5/04-5/225; G01K 5/22; G01K
221/00; G01K 1/18; G01J 5/04; G01J
5/041; G01J 5/042; G01J 5/043; G01J
5/044; G01J 5/045; G01J 5/046; G01J
5/047; G01J 5/048; G01J 5/049; G01J
5/0265

See application file for complete search history.

(56) **References Cited**

U.S. PATENT DOCUMENTS

D795,098 S *	8/2017	Alla	D10/57
D843,243 S	3/2019	Wang		
D860,831 S	9/2019	Zou		
D884,499 S *	5/2020	Yi	D10/57
D906,140 S *	12/2020	Wang	D10/57
D919,457 S *	5/2021	Dai	D10/57
D919,458 S *	5/2021	Dai	D10/57
D929,878 S *	9/2021	Huang	D10/57

* cited by examiner

Primary Examiner — Antoine Duval Davis

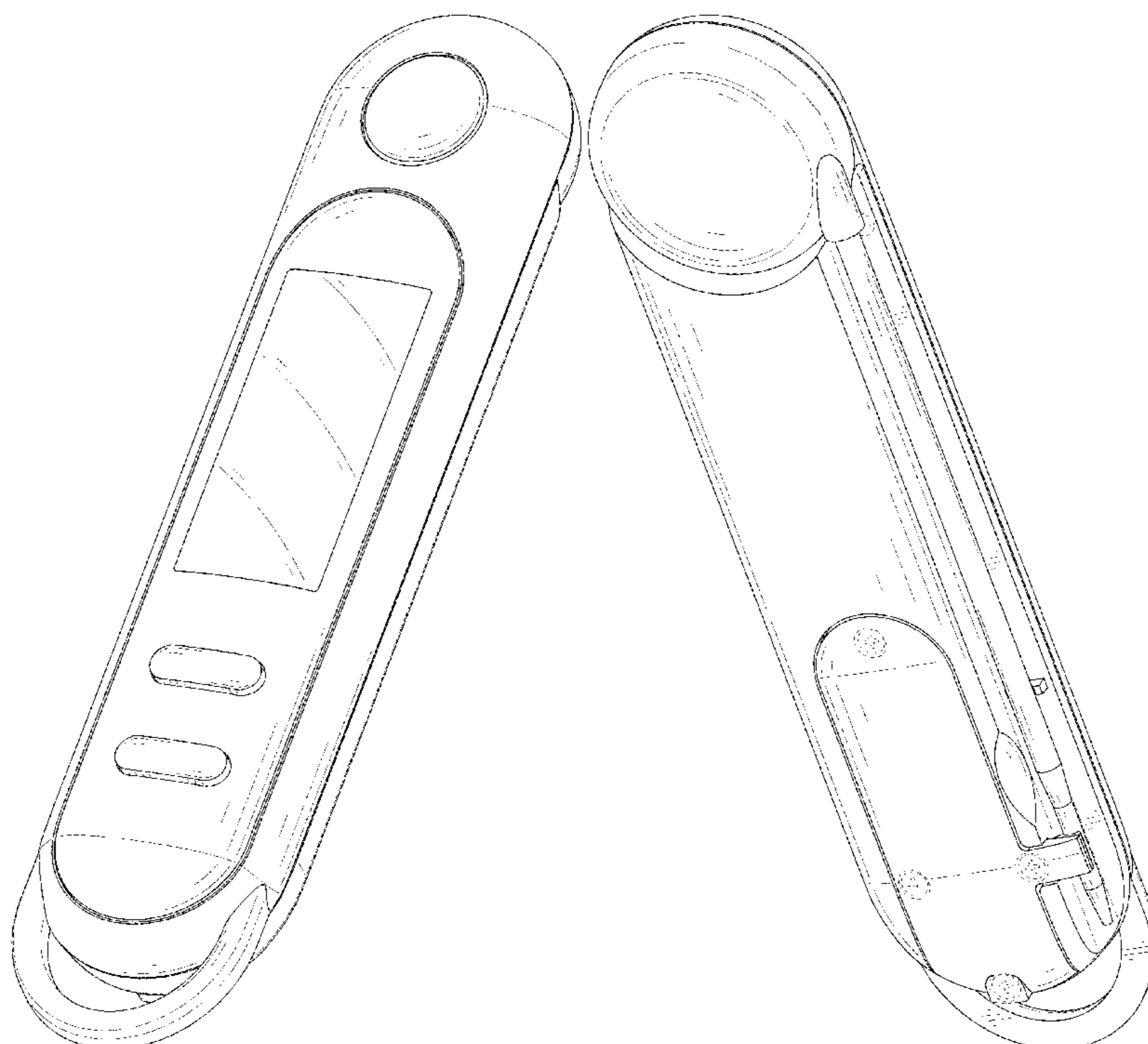
(57) **CLAIM**

The ornamental design for a thermometer, as shown and described.

DESCRIPTION

FIG. 1 is a perspective view of a thermometer showing my new design;
FIG. 2 is another perspective view thereof;
FIG. 3 is a front elevational view thereof;
FIG. 4 is a rear elevational view thereof;
FIG. 5 is a left side elevational view thereof;
FIG. 6 is a right side elevational view thereof;
FIG. 7 is a top plan view thereof;
FIG. 8 is a bottom plan view thereof; and,
FIG. 9 is a perspective view of the thermometer where the thermometer is in a configuration of use.
The broken lines in the drawings depict portions of the thermometer that form no part of the claimed design.

1 Claim, 9 Drawing Sheets



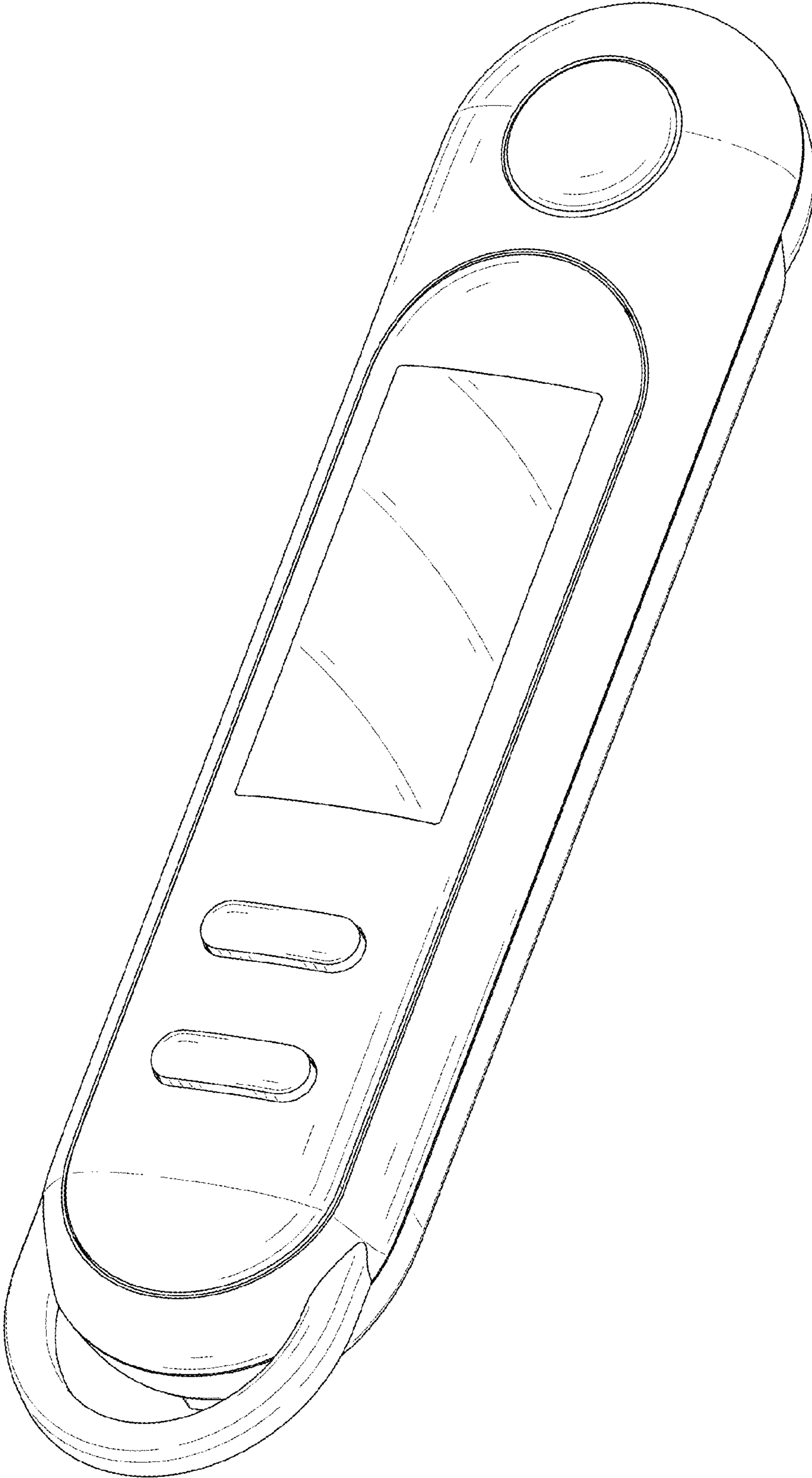


FIG. 1

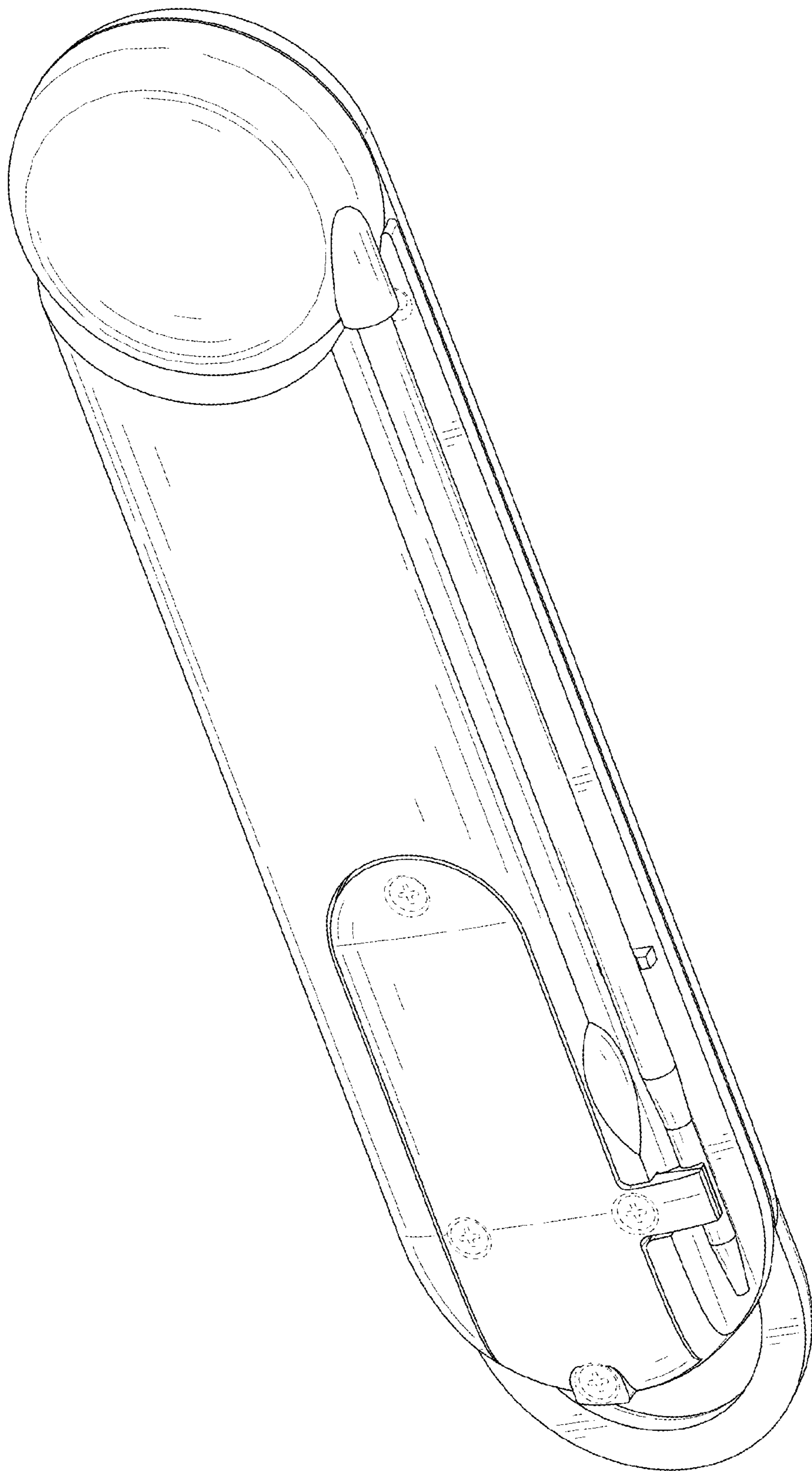


FIG. 2

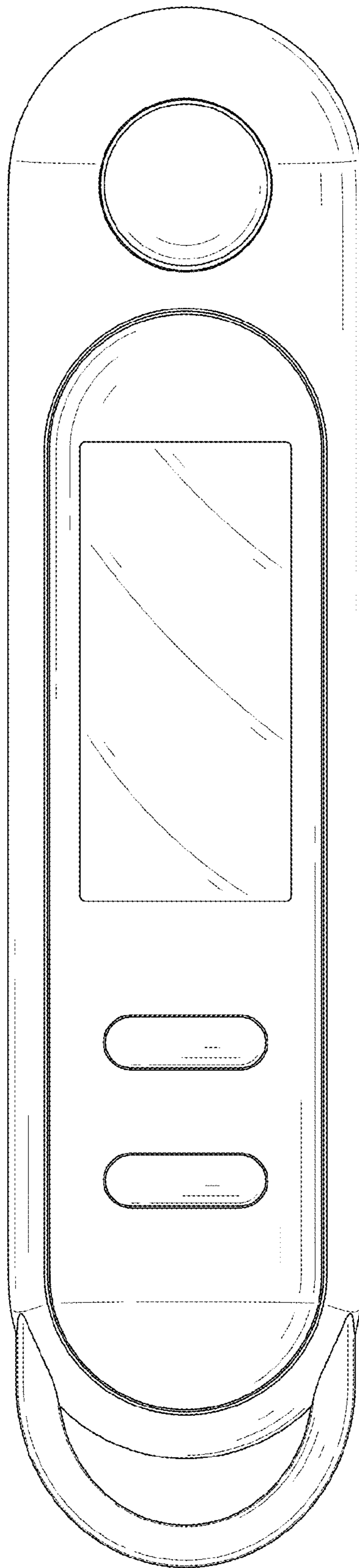


FIG. 3

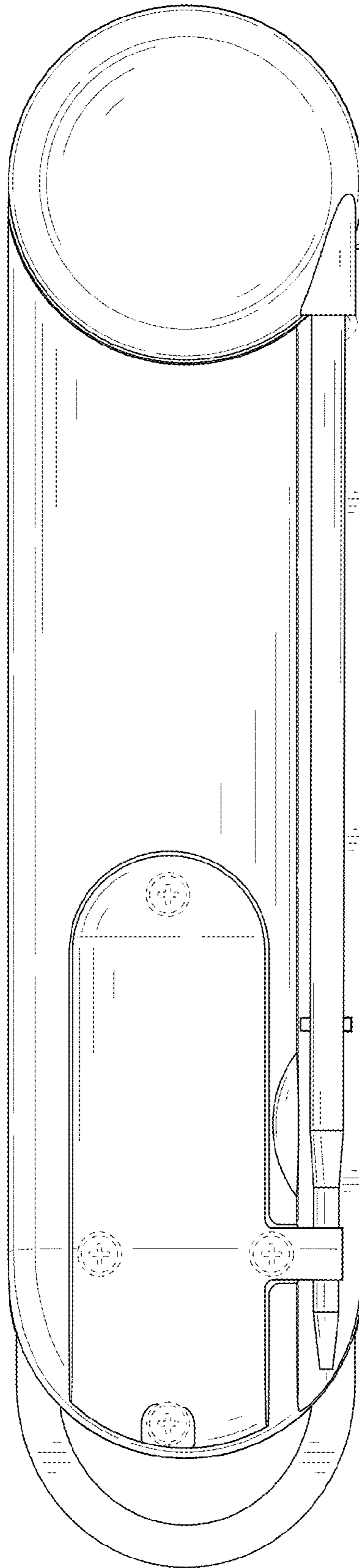


FIG. 4

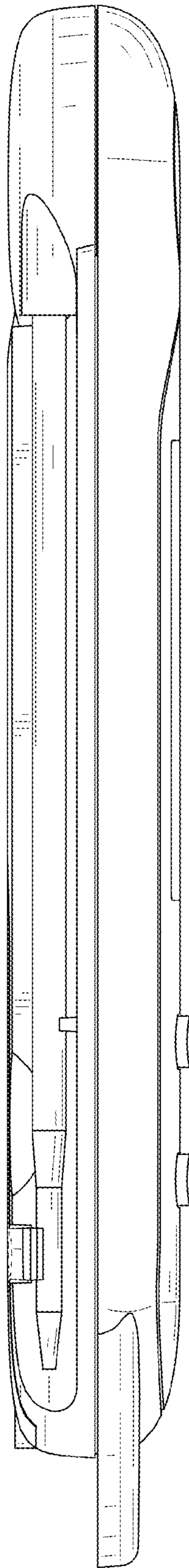


FIG. 5

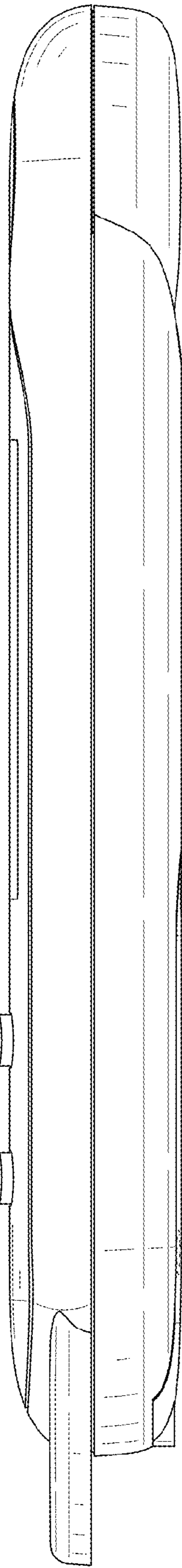


FIG. 6

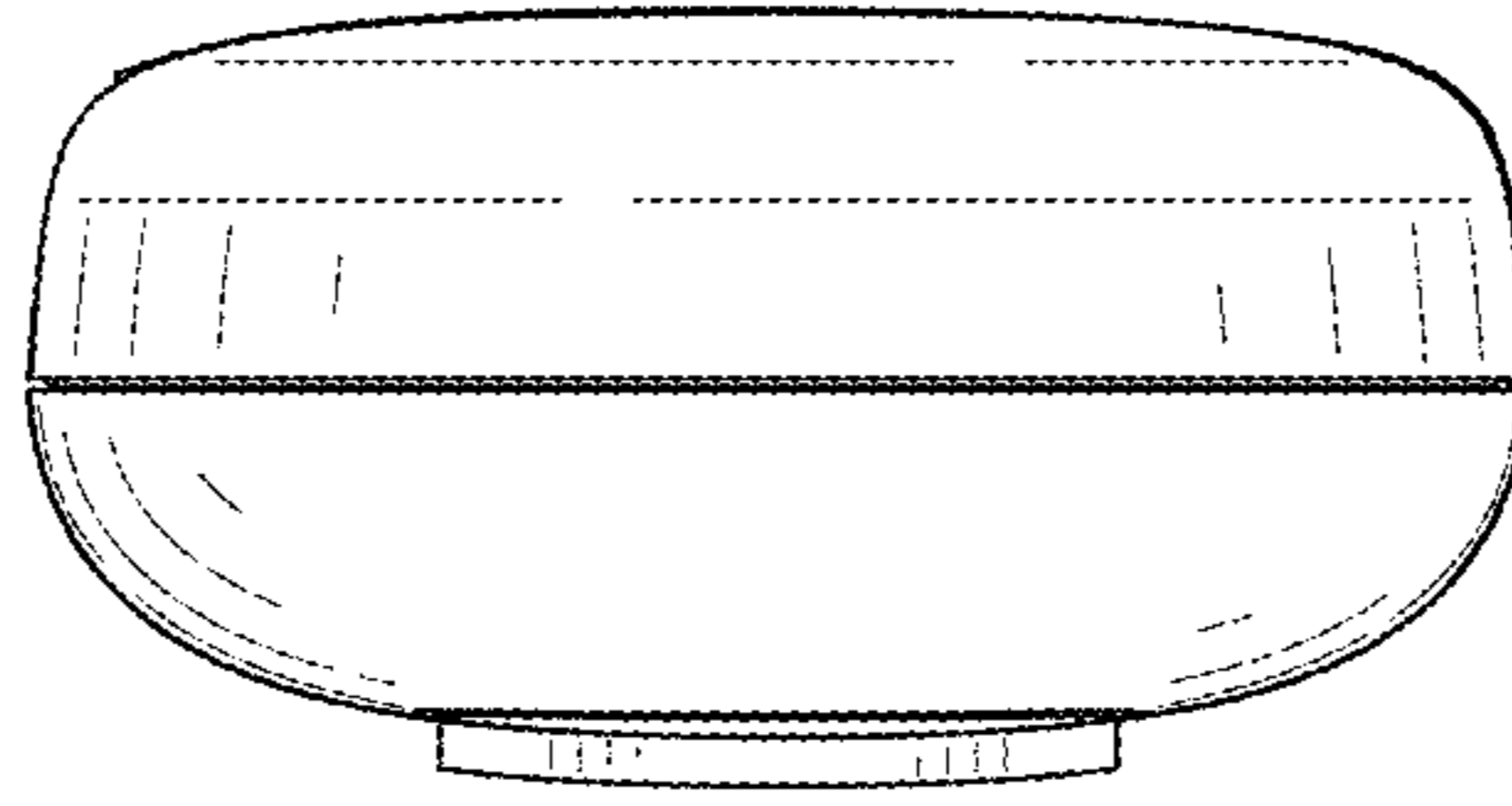


FIG. 7

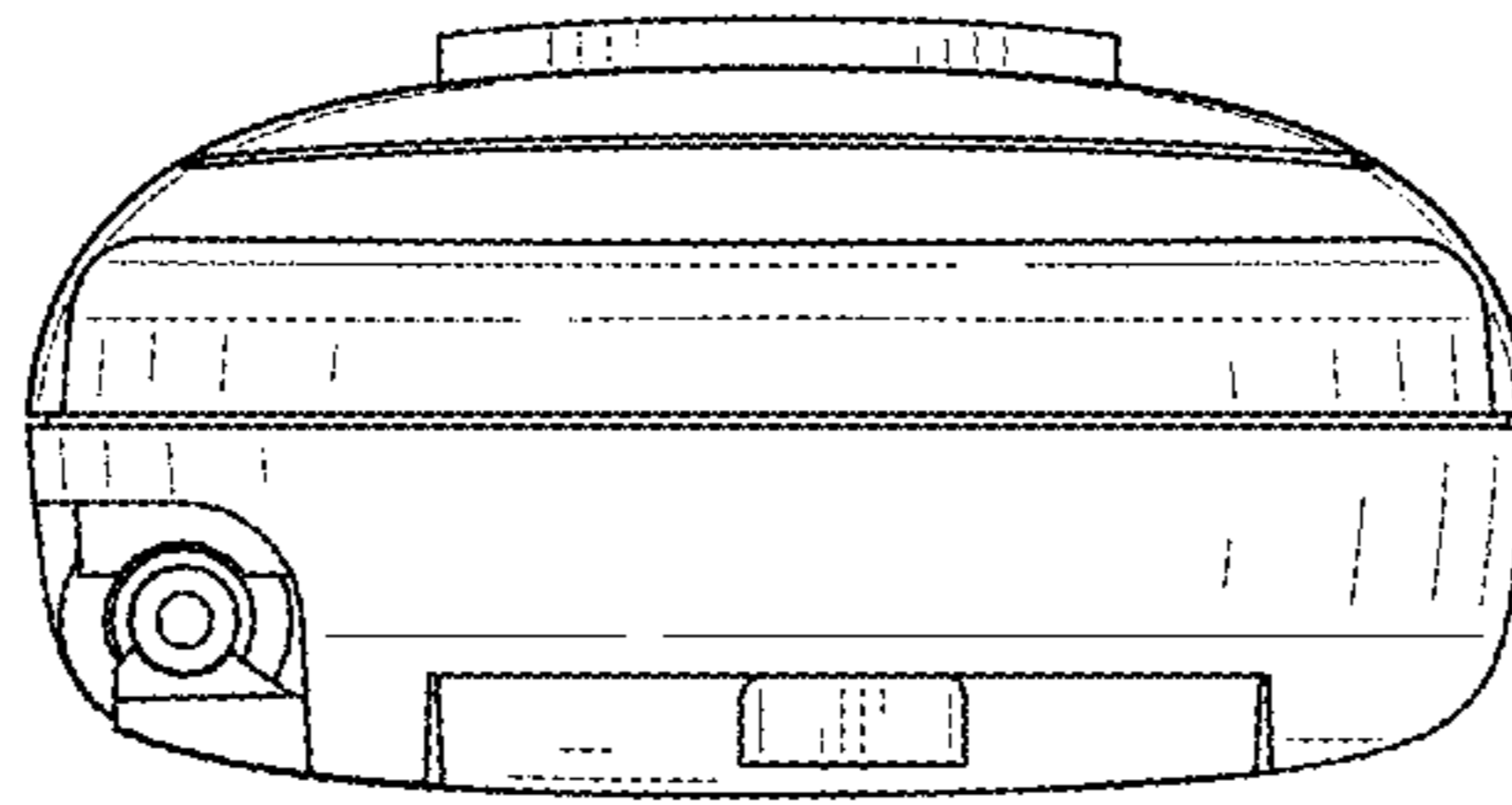


FIG. 8

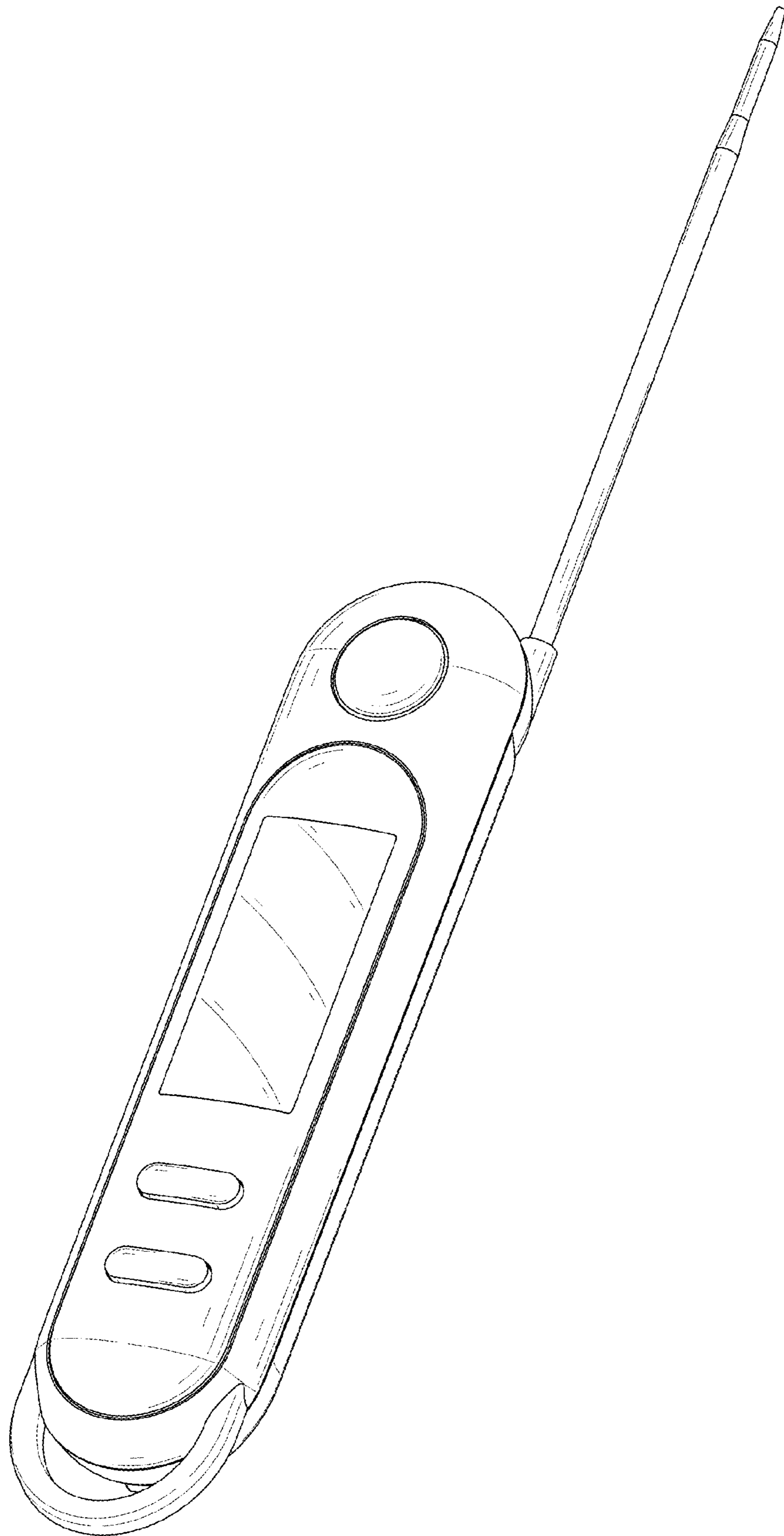


FIG. 9